



US00D577550S

(12) **United States Design Patent**
Pertuit

(10) **Patent No.:** **US D577,550 S**

(45) **Date of Patent:** **** Sep. 30, 2008**

(54) **FOOD AND BEVERAGE POUCH HOLDING APPARATUS**

5,755,418 A * 5/1998 Kracke et al. 248/311.3
5,878,899 A 3/1999 Manganiello et al.
6,244,452 B1 6/2001 Morano et al.

(76) Inventor: **Melinda S. Pertuit**, 2394 Highway 182,
Raceland, LA (US) 70394

* cited by examiner

Primary Examiner—Terry A Wallace

(**) Term: **14 Years**

(57) **CLAIM**

(21) Appl. No.: **29/273,962**

The ornamental design for a food and beverage pouch holding apparatus, as shown and described.

(22) Filed: **Mar. 19, 2007**

(51) **LOC (8) Cl.** **07-06**

(52) **U.S. Cl.** **D7/619.1**

(58) **Field of Classification Search** D7/619.1–625,
D7/700; 211/74; 248/311.2, 311.3, 309.1,
248/312.1, 146; 141/106, 364, 369, 375
See application file for complete search history.

DESCRIPTION

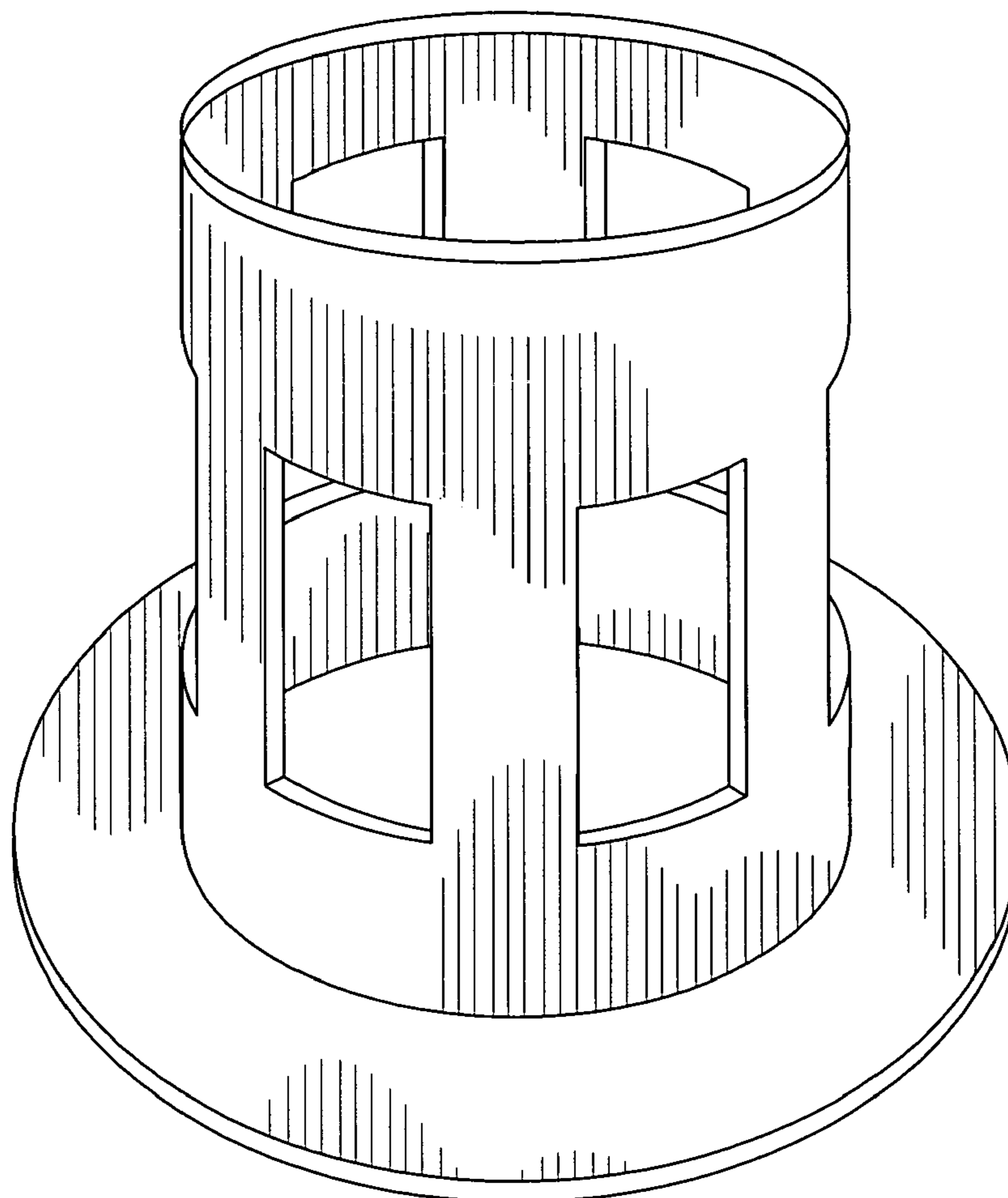
FIG. 1 is a perspective view of a food and beverage pouch holding apparatus showing my new design;
FIG. 2 is a left side elevational view thereof;
FIG. 3 is a right side elevational view thereof;
FIG. 4 is a top plan thereof;
FIG. 5 is a bottom plan view thereof;
FIG. 6 is a front elevational view thereof; and,
FIG. 7 is a rear elevational view thereof.

(56) **References Cited**

U.S. PATENT DOCUMENTS

4,271,878 A * 6/1981 Bologa 141/375
5,149,041 A * 9/1992 Hartke 248/146
D377,740 S * 2/1997 Swanson D7/619.1

1 Claim, 4 Drawing Sheets



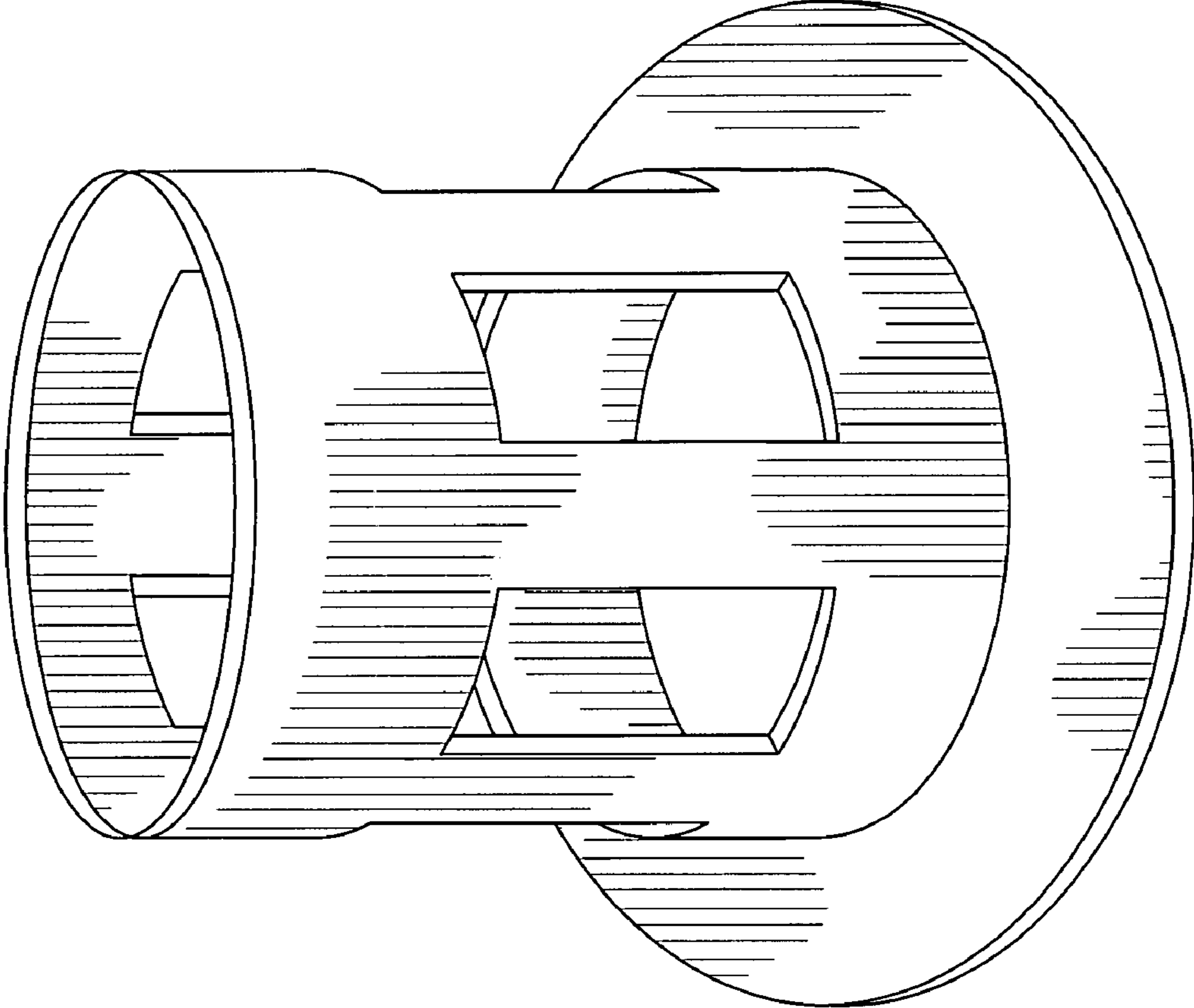


FIG. 1

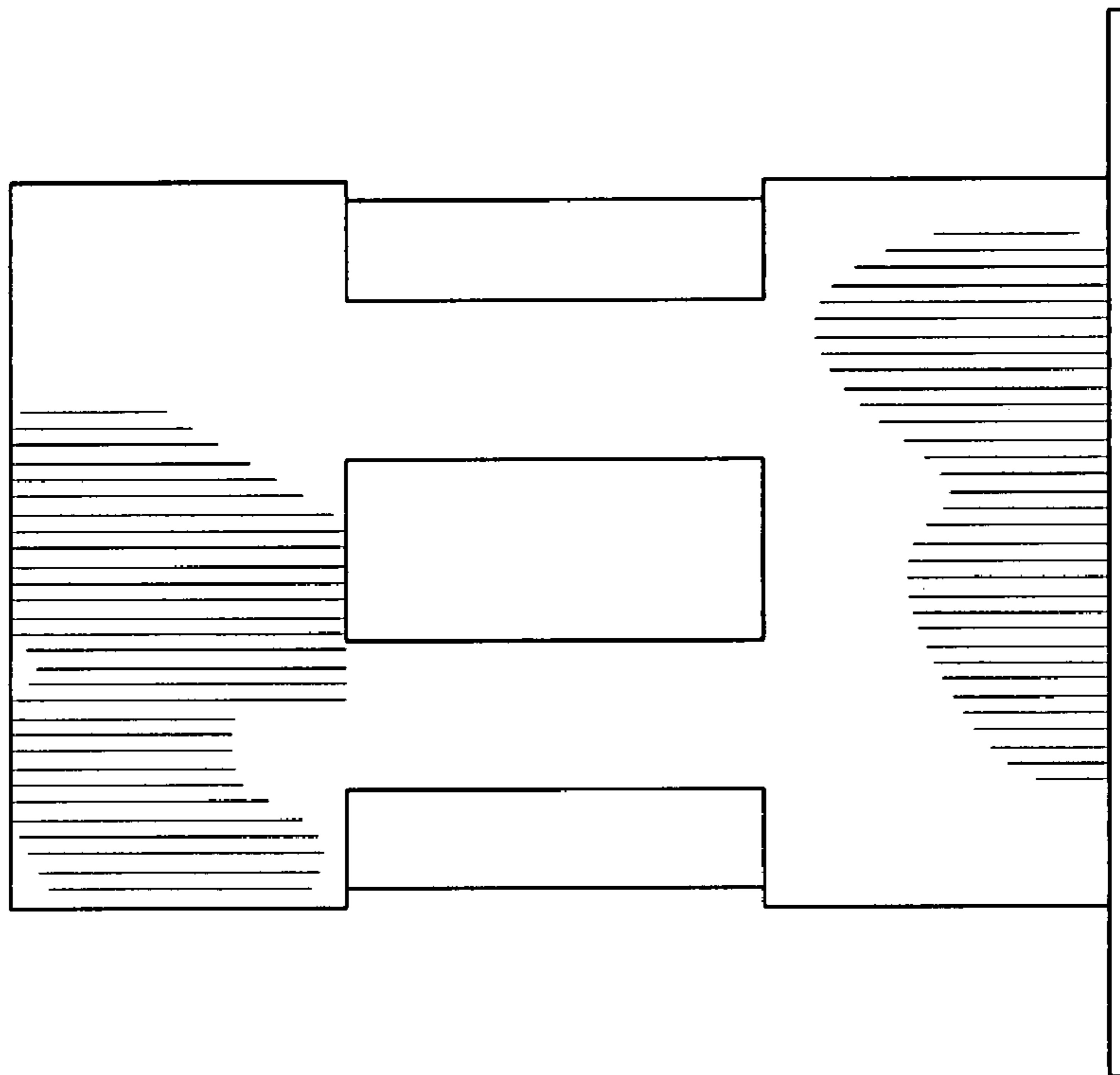


FIG. 3

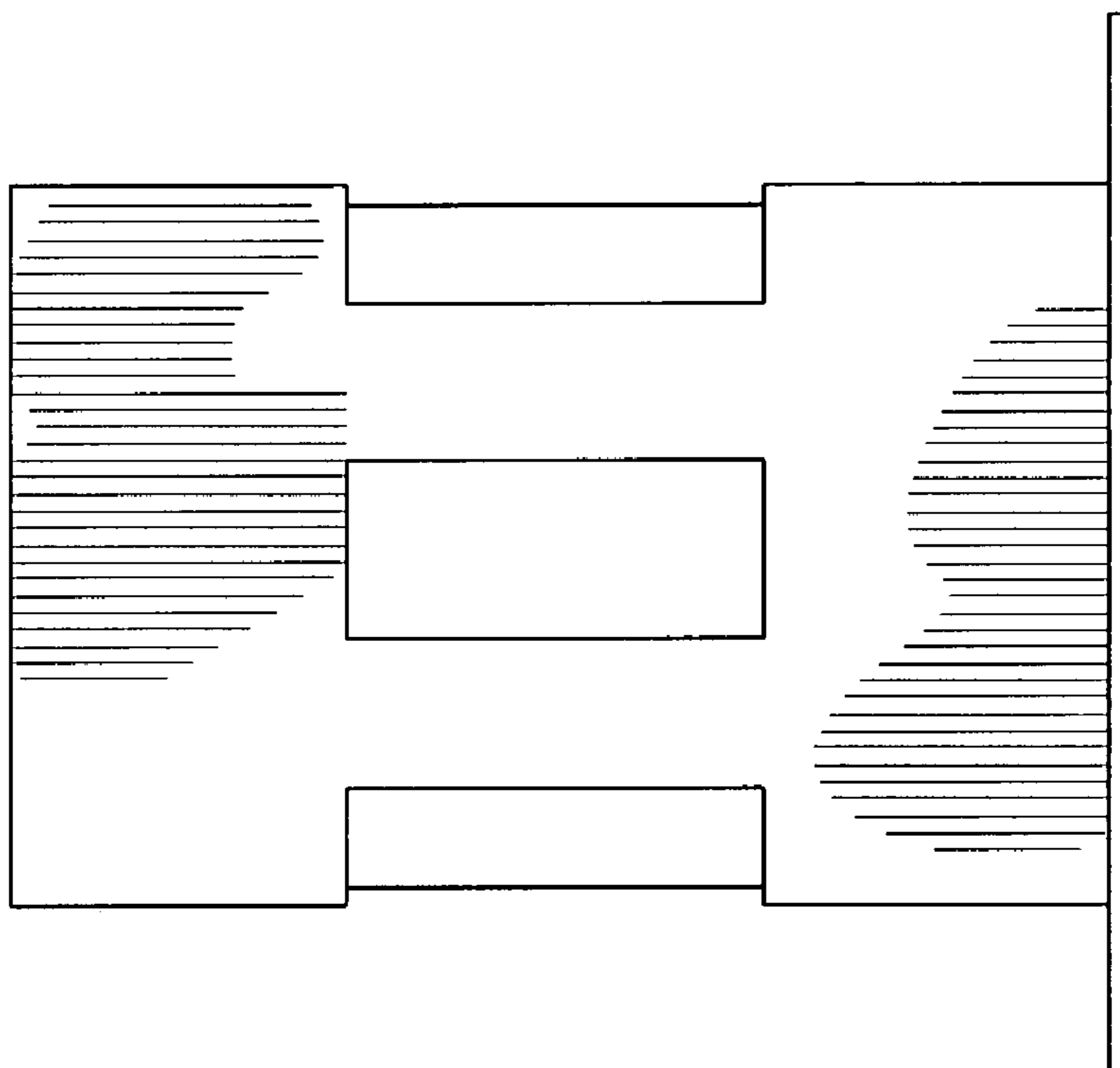


FIG. 2

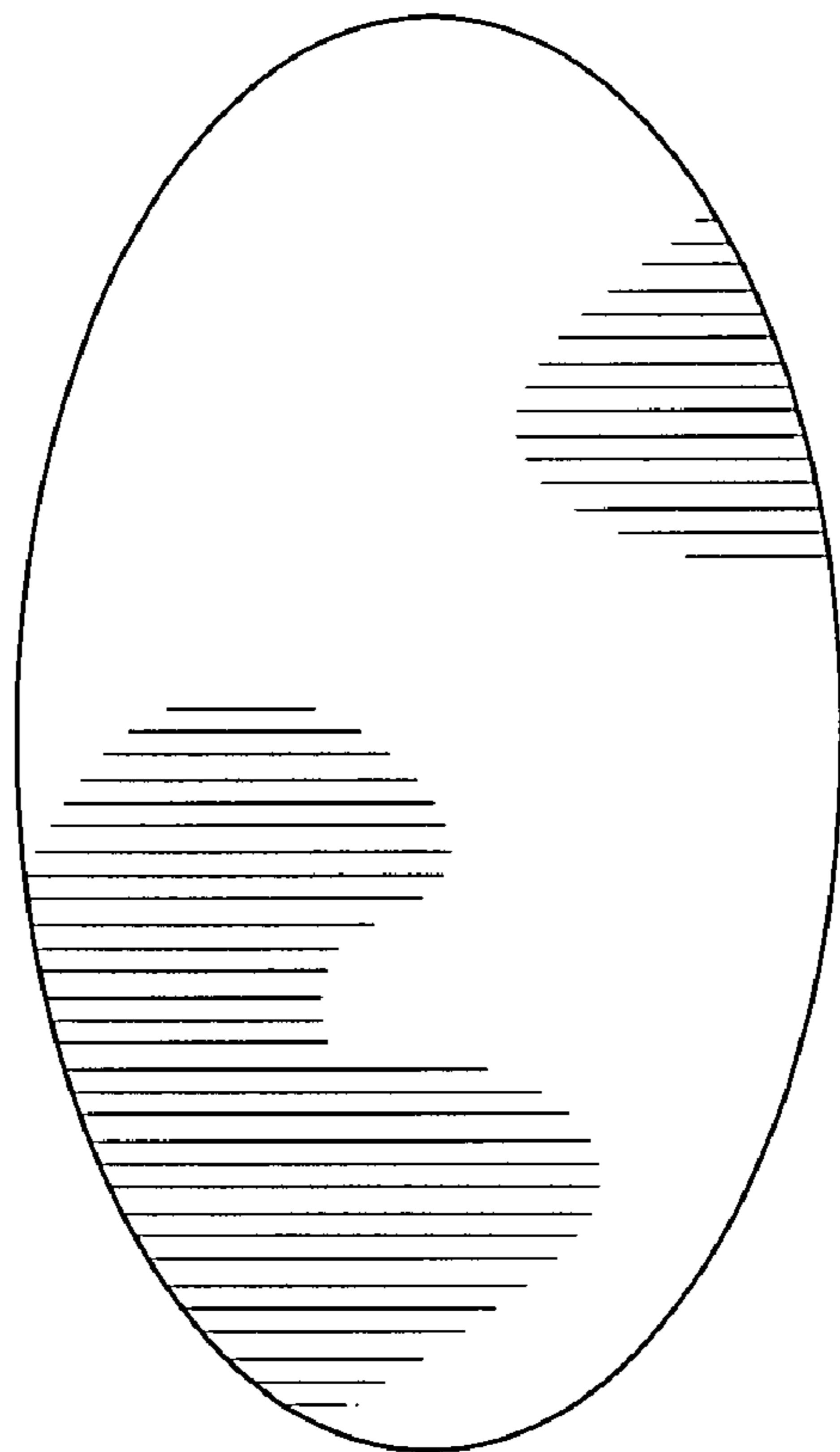


FIG. 5

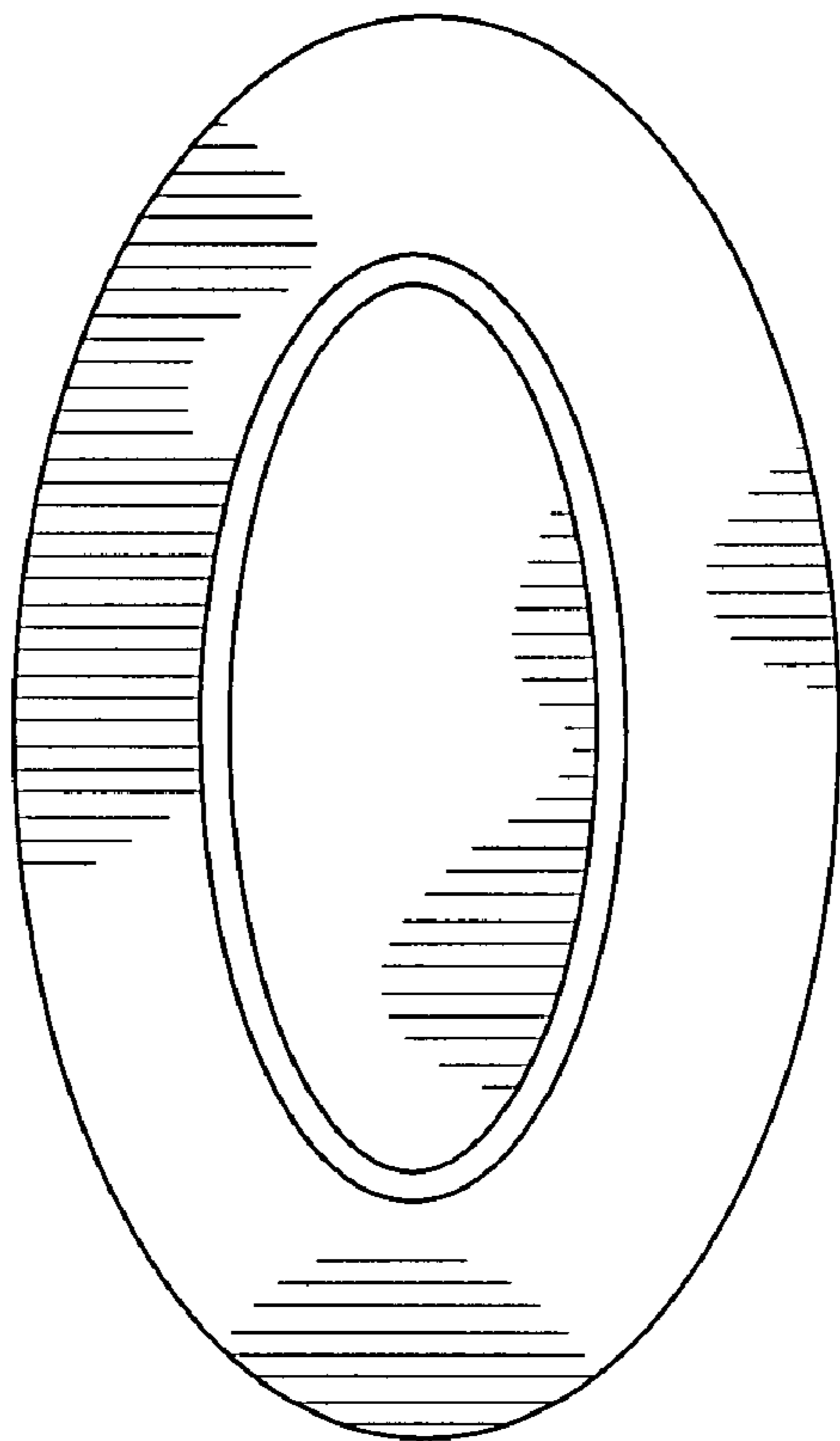


FIG. 4

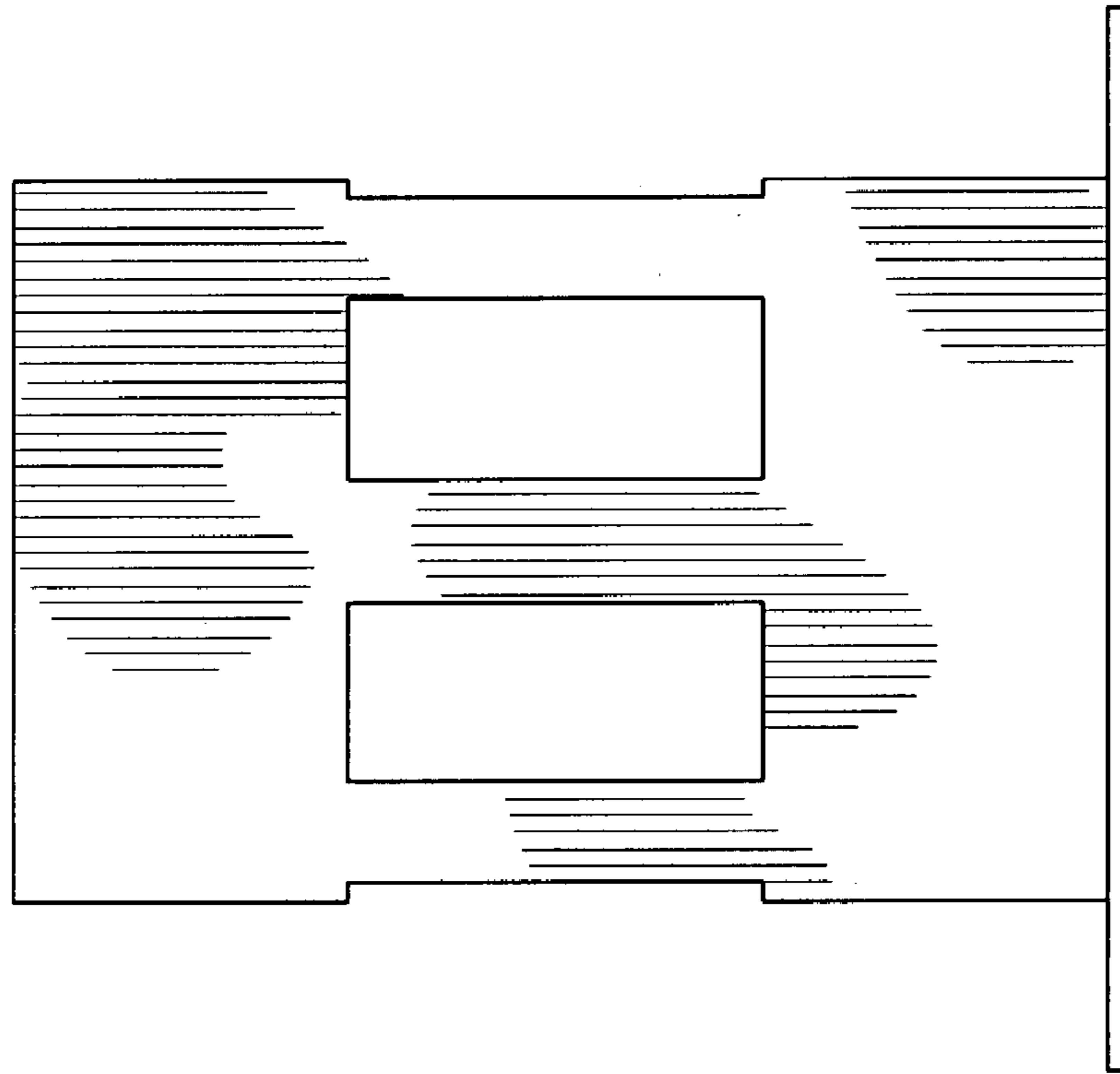


FIG. 7

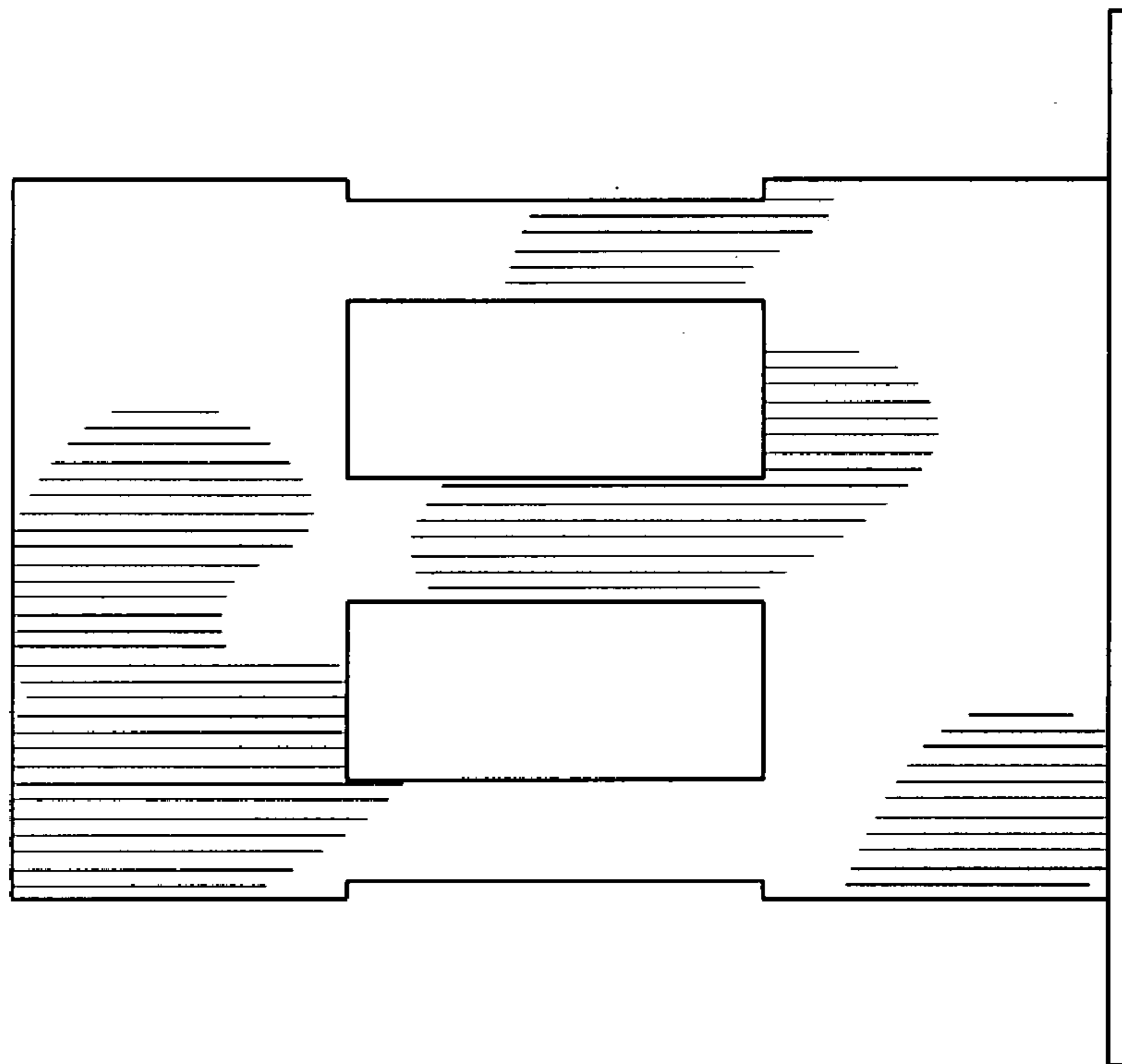


FIG. 6