



US00D577549S

(12) **United States Design Patent**
Plante et al.

(10) **Patent No.:** **US D577,549 S**

(45) **Date of Patent:** **** Sep. 30, 2008**

(54) **CONTAINER**

(75) Inventors: **Thomas Plante**, Westport, MA (US);
Jeffrey Chace, South Dartmouth, MA
(US)

(73) Assignee: **Invision Products, LLC**, Fall River, MA
(US)

(**) Term: **14 Years**

(21) Appl. No.: **29/289,925**

(22) Filed: **Aug. 7, 2007**

Related U.S. Application Data

(62) Division of application No. 29/265,642, filed on Sep. 6, 2006.

(51) **LOC (8) Cl.** **07-01**

(52) **U.S. Cl.** **D7/542; D7/538**

(58) **Field of Classification Search** D7/354,
D7/360, 500, 538, 539, 542, 543, 544, 550.1,
D7/536, 545, 584, 601, 602, 609, 615, 703,
D7/560, 562, 629; D9/425, 432; D15/89;
220/573.1, 574, 495.03, 912

See application file for complete search history.

(56) **References Cited**

U.S. PATENT DOCUMENTS

D207,543 S * 5/1967 Refsgaard D7/360

D207,594 S * 5/1967 Aubecq D7/542
D212,704 S * 11/1968 Benes D7/360
D275,547 S * 9/1984 Asti et al. D7/360
5,065,889 A * 11/1991 Conti 220/360
D353,303 S * 12/1994 Davis D7/542
6,105,810 A * 8/2000 Daenen et al. 220/366.1
D453,283 S * 2/2002 Terracciano D7/608
D477,970 S * 8/2003 Thonis D7/542
D522,309 S * 6/2006 Pukall et al. D7/360
D543,077 S * 5/2007 Kim D7/629

* cited by examiner

Primary Examiner—Philip Hyder

Assistant Examiner—Cynthia Underwood

(74) *Attorney, Agent, or Firm*—Salter & Michaelson

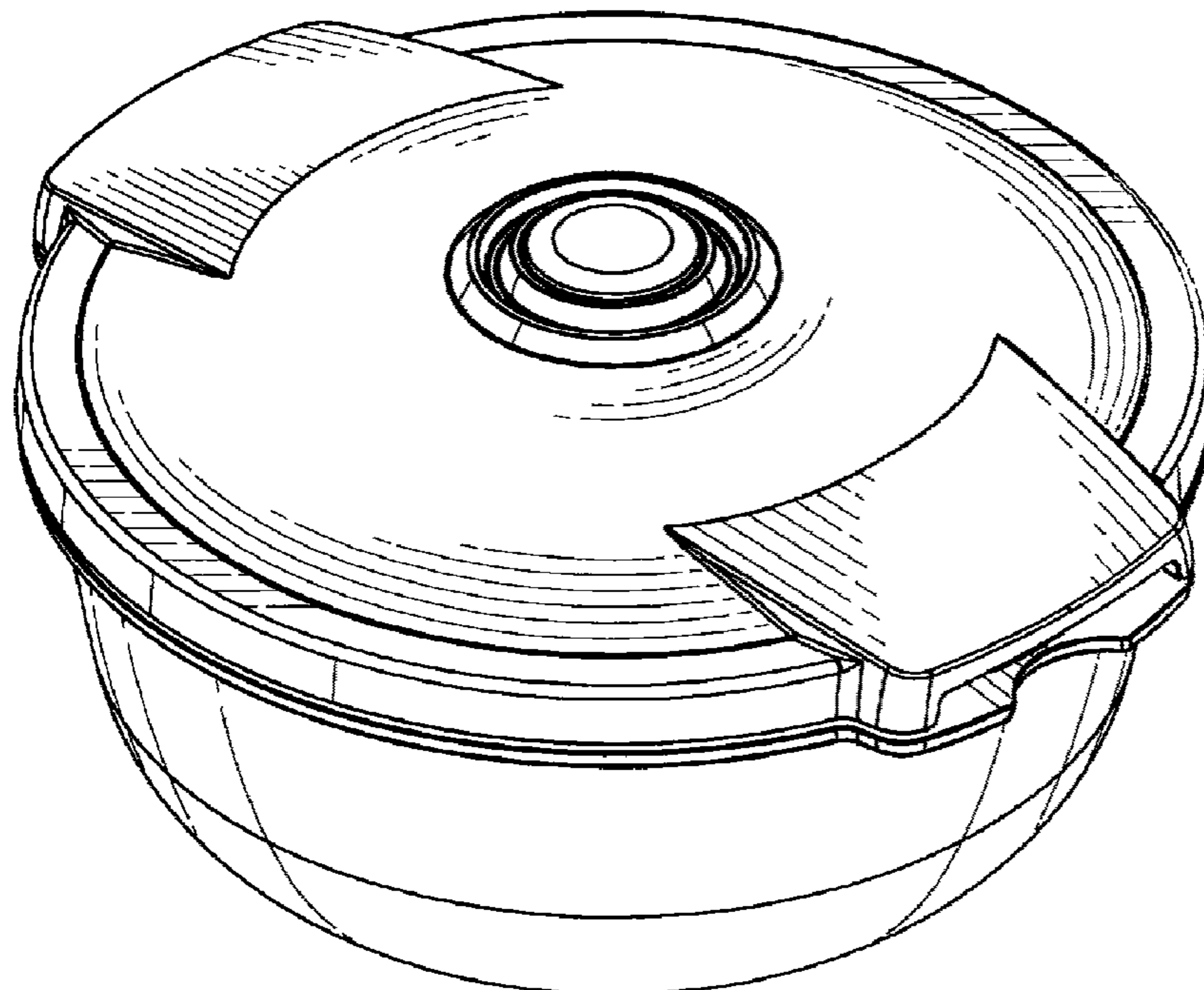
(57) **CLAIM**

The ornamental design for a container, as shown.

DESCRIPTION

FIG. 1 is a top perspective view of our container;
FIG. 2 is a plan view of the container of FIG. 1; and,
FIG. 3 is a front view of the container of FIG. 1.

1 Claim, 3 Drawing Sheets



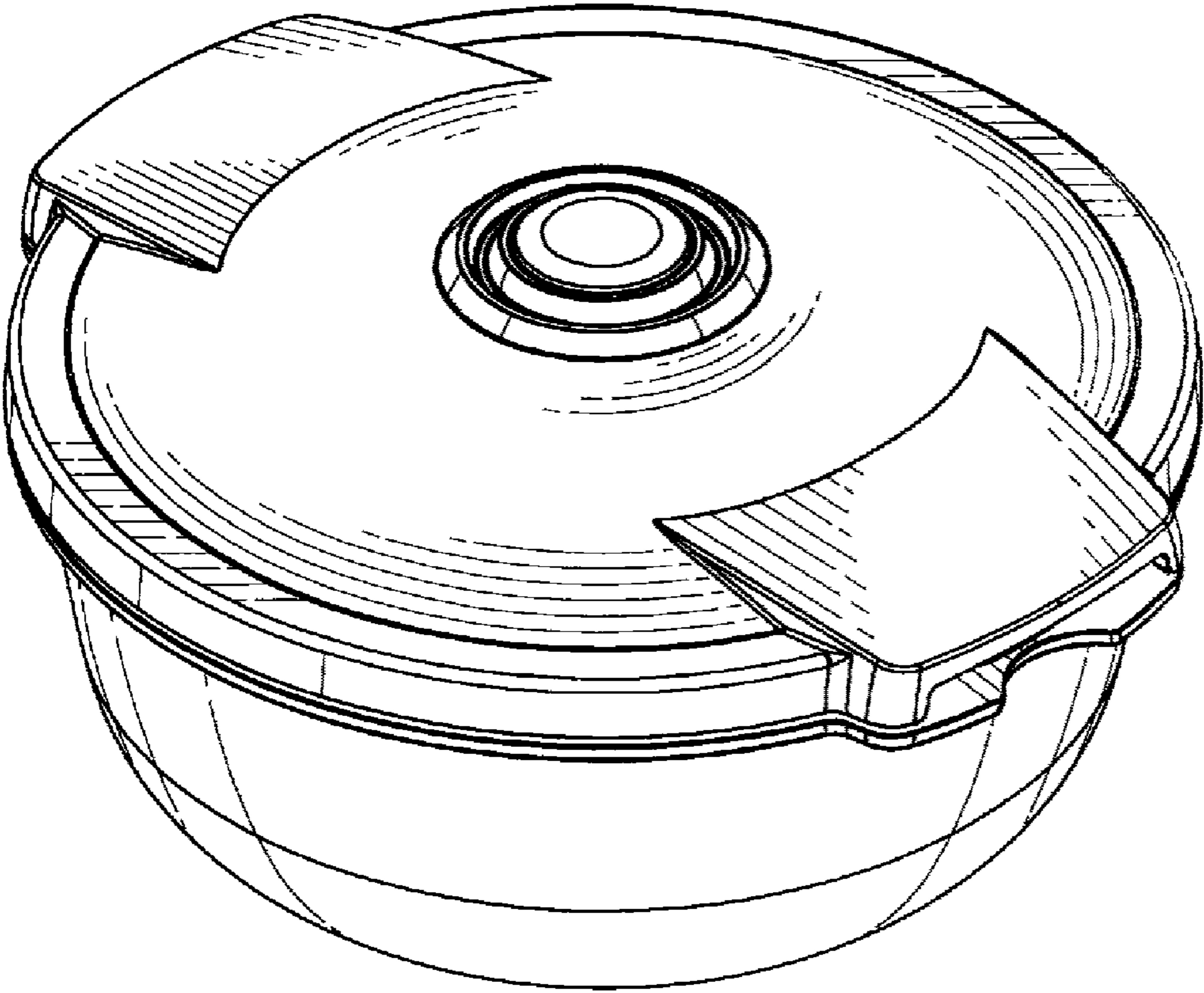


FIG. 1

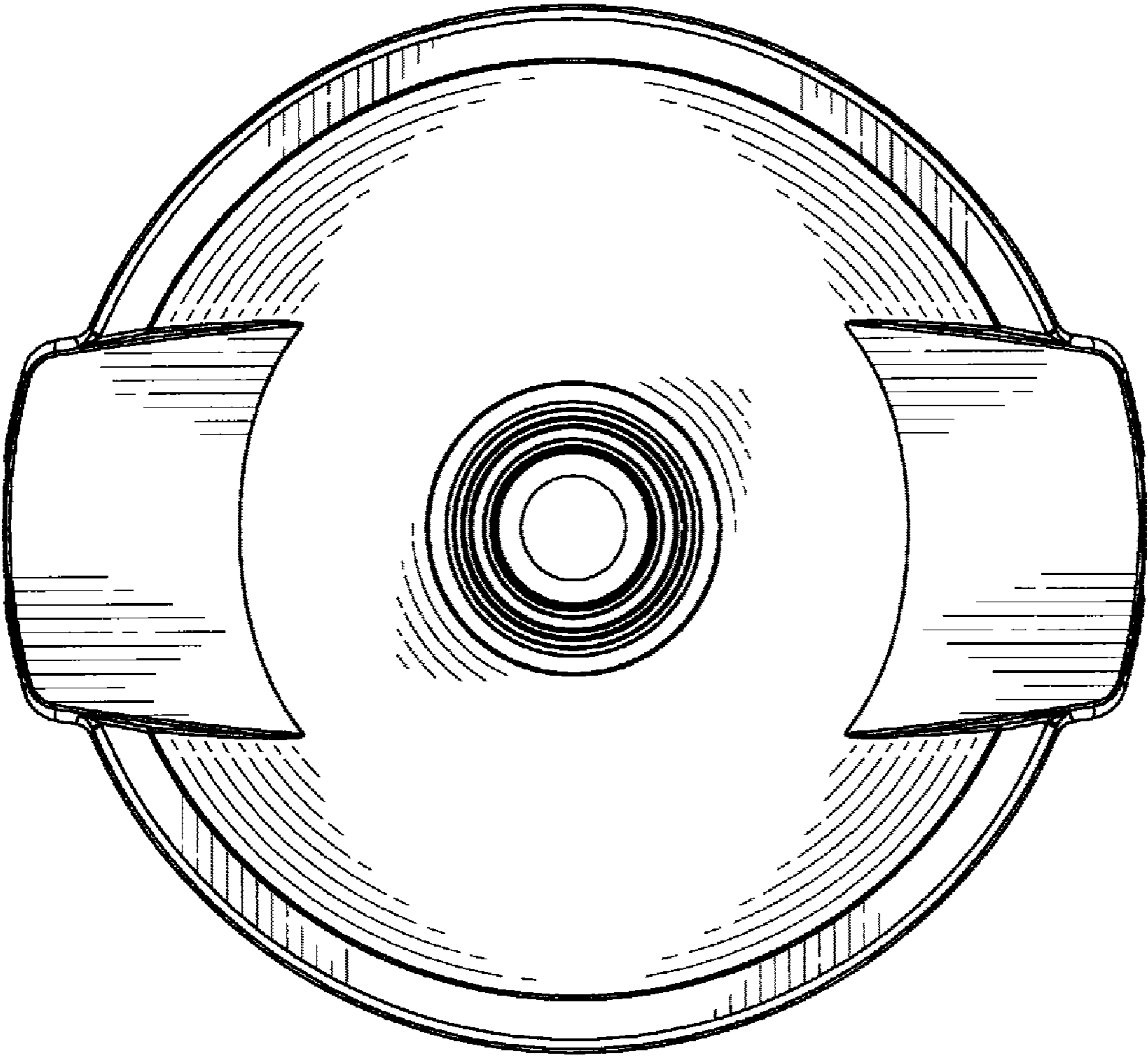


FIG. 2

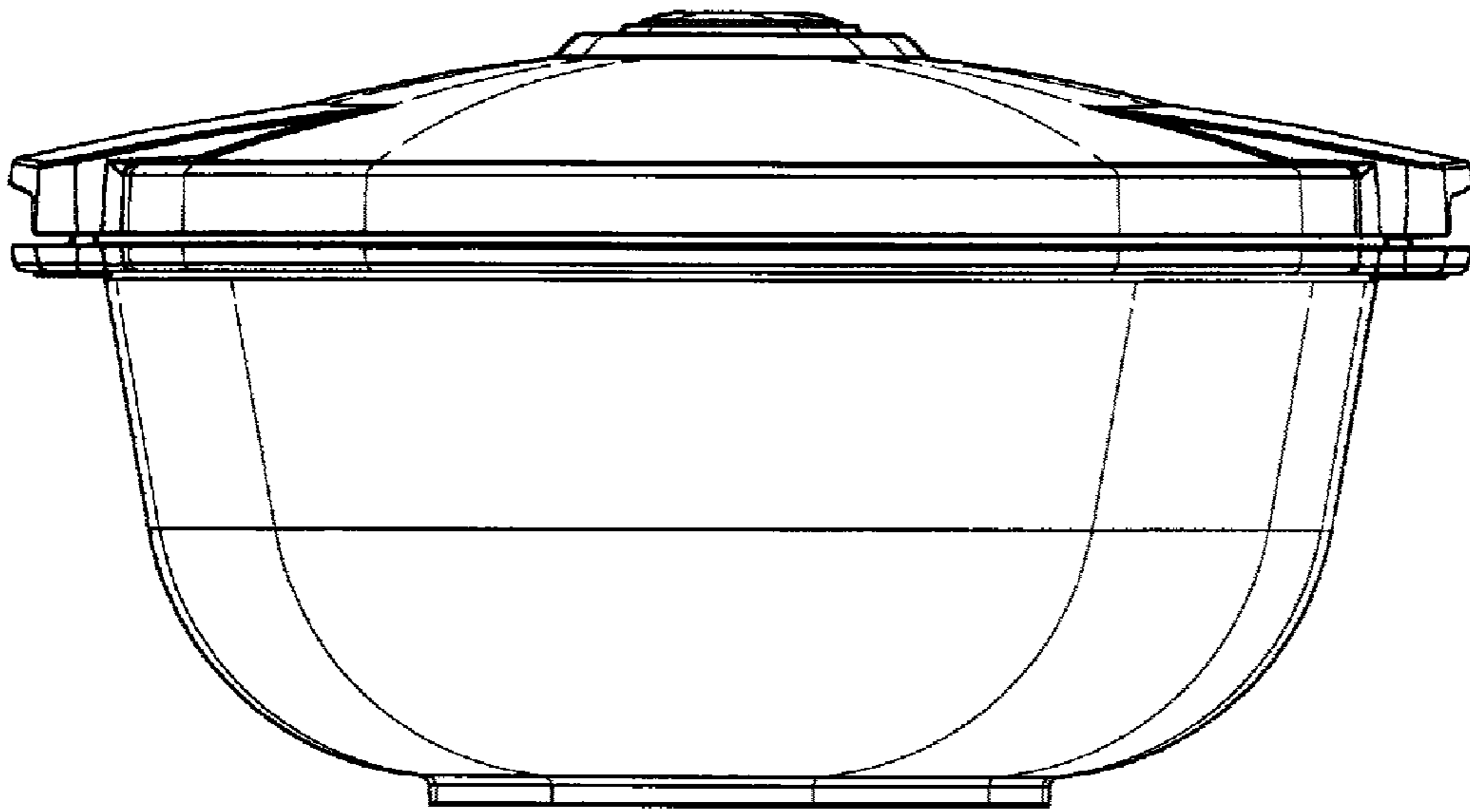


FIG. 3