



US00D577545S

(12) **United States Design Patent**
Ulanski

(10) **Patent No.:** **US D577,545 S**
(45) **Date of Patent:** **** Sep. 30, 2008**

(54) **LID FOR A CONTAINER**

D495,925 S * 9/2004 Ulanski et al. D7/412
D526,839 S * 8/2006 Boozer et al. D7/392
D527,575 S * 9/2006 Ulanski et al. D7/392

(75) Inventor: **Robert M. Ulanski**, Broadview Heights,
OH (US)

* cited by examiner

(73) Assignee: **Vita-Mix Corporation**, Cleveland, OH
(US)

Primary Examiner—Caron D. Veynar

Assistant Examiner—Ricky Pham

(**) Term: **14 Years**

(74) *Attorney, Agent, or Firm*—Renner, Kenner, Greive,
Bobak, Taylor & Weber

(21) Appl. No.: **29/301,832**

(57) **CLAIM**

(22) Filed: **Mar. 18, 2008**

The ornamental design for a lid for a container, as shown and
described.

(51) **LOC (8) Cl.** **31-00**

(52) **U.S. Cl.** **D7/412; D7/391**

(58) **Field of Classification Search** D7/317-318,
D7/376-386, 391-392, 392.1, 412-415, 538,
D7/540, 640; D9/435, 439-440, 444-447,
D9/449-450, 454, 503-504; 126/384.1;
215/200, 211, 244, 243; 220/200, 203.11,
220/700-701, 703, 711, 713-715, 719, 802

See application file for complete search history.

DESCRIPTION

FIG. 1 is a top, front, right side perspective of a lid for a
container showing my new design;

FIG. 2 is a bottom, rear, left side perspective view thereof;

FIG. 3 is a top plan view thereof;

FIG. 4 is a bottom plan view thereof;

FIG. 5 is a front elevational view thereof;

FIG. 6 is a rear elevational view thereof;

FIG. 7 is a right side elevational view thereof; and,

FIG. 8 is a left side elevational view thereof.

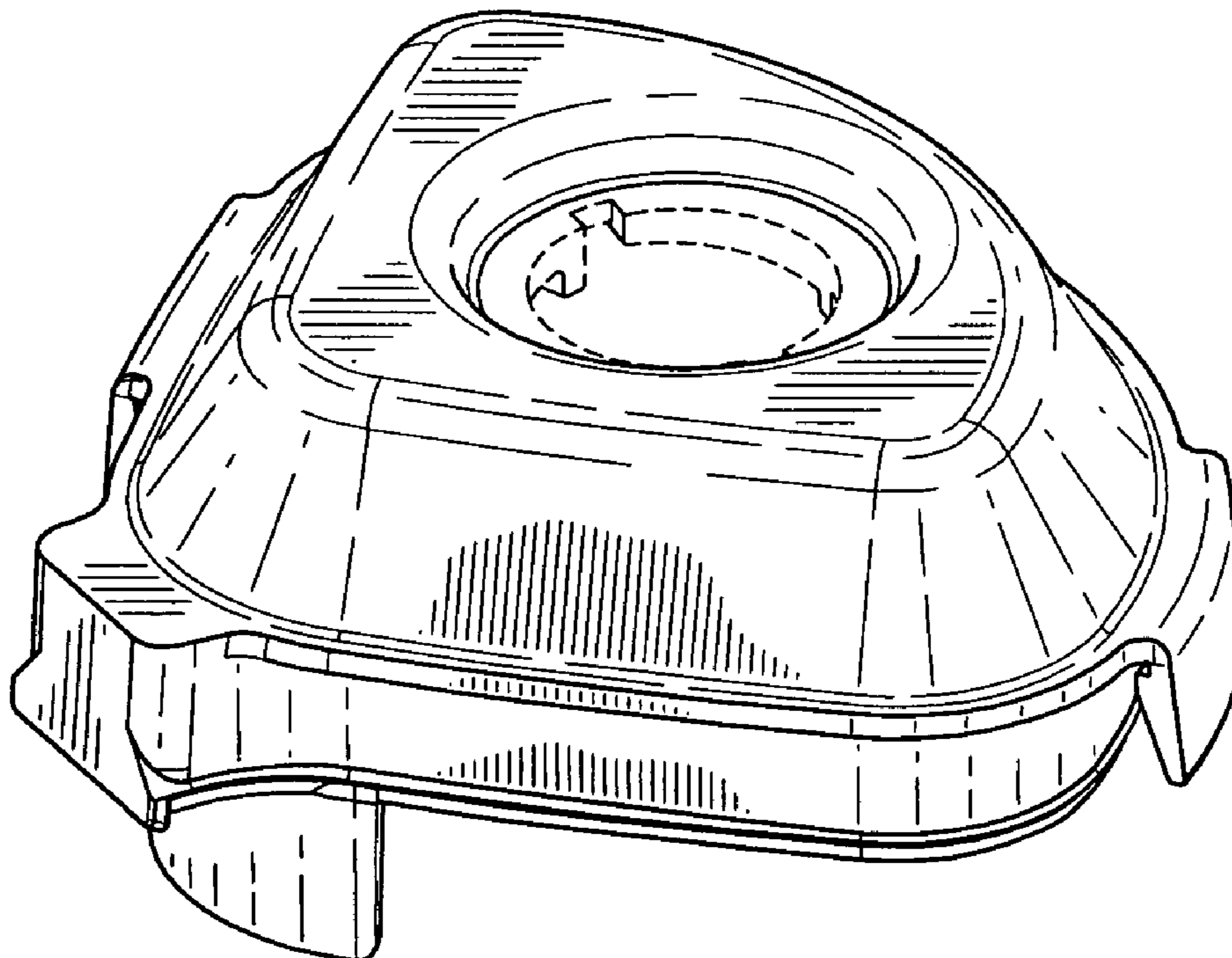
The portions of the lid in dotted lines are not part of the
claimed invention.

(56) **References Cited**

U.S. PATENT DOCUMENTS

D345,488 S * 3/1994 Barnard et al. D7/412
D374,590 S * 10/1996 Ahern, Jr. D7/392.1
D412,639 S * 8/1999 Demore D7/391
D412,809 S * 8/1999 Toro et al. D7/378
D419,369 S * 1/2000 Naft et al. D7/391
D435,192 S * 12/2000 Bohannon et al. D7/413

1 Claim, 4 Drawing Sheets



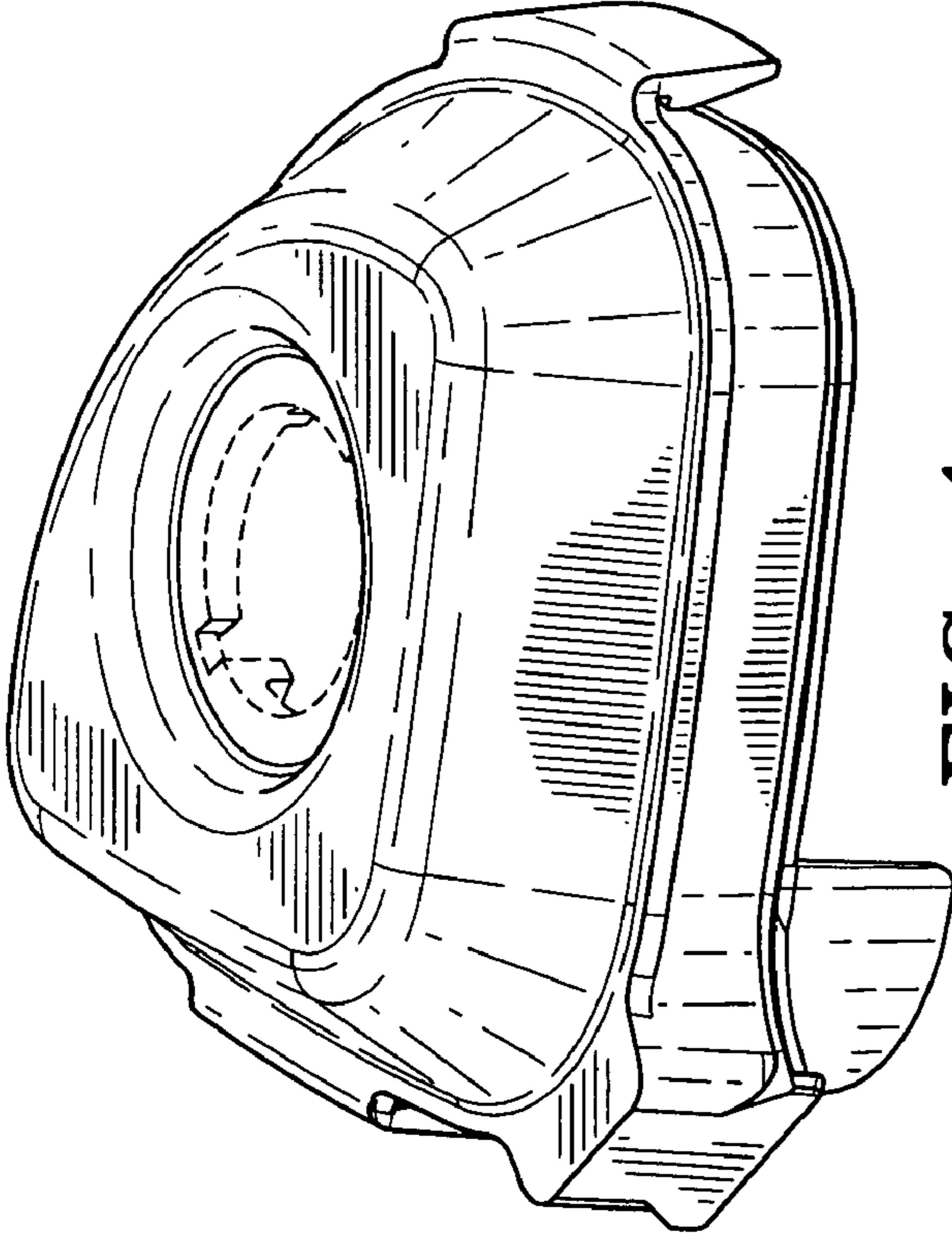


FIG-1

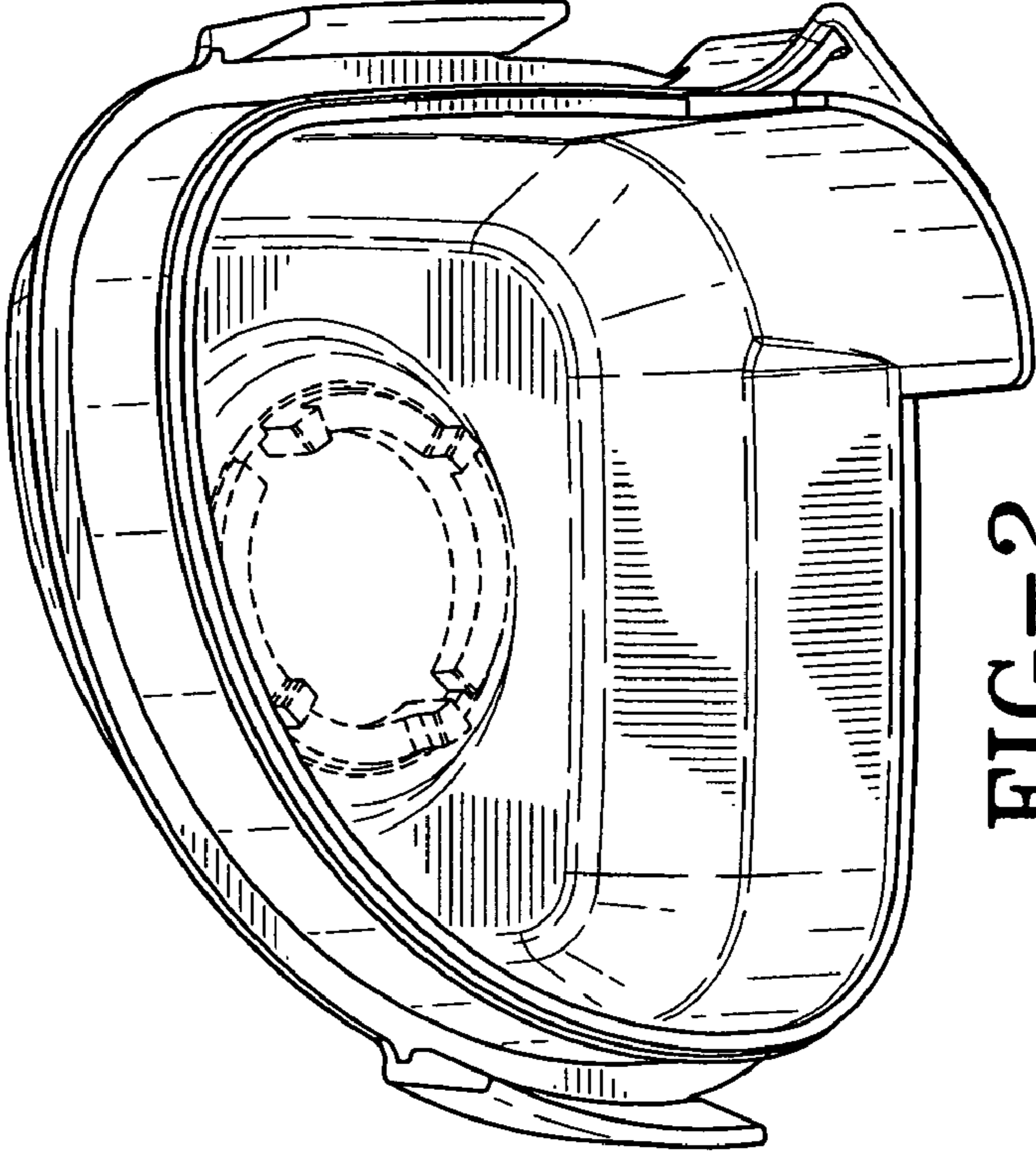


FIG-2

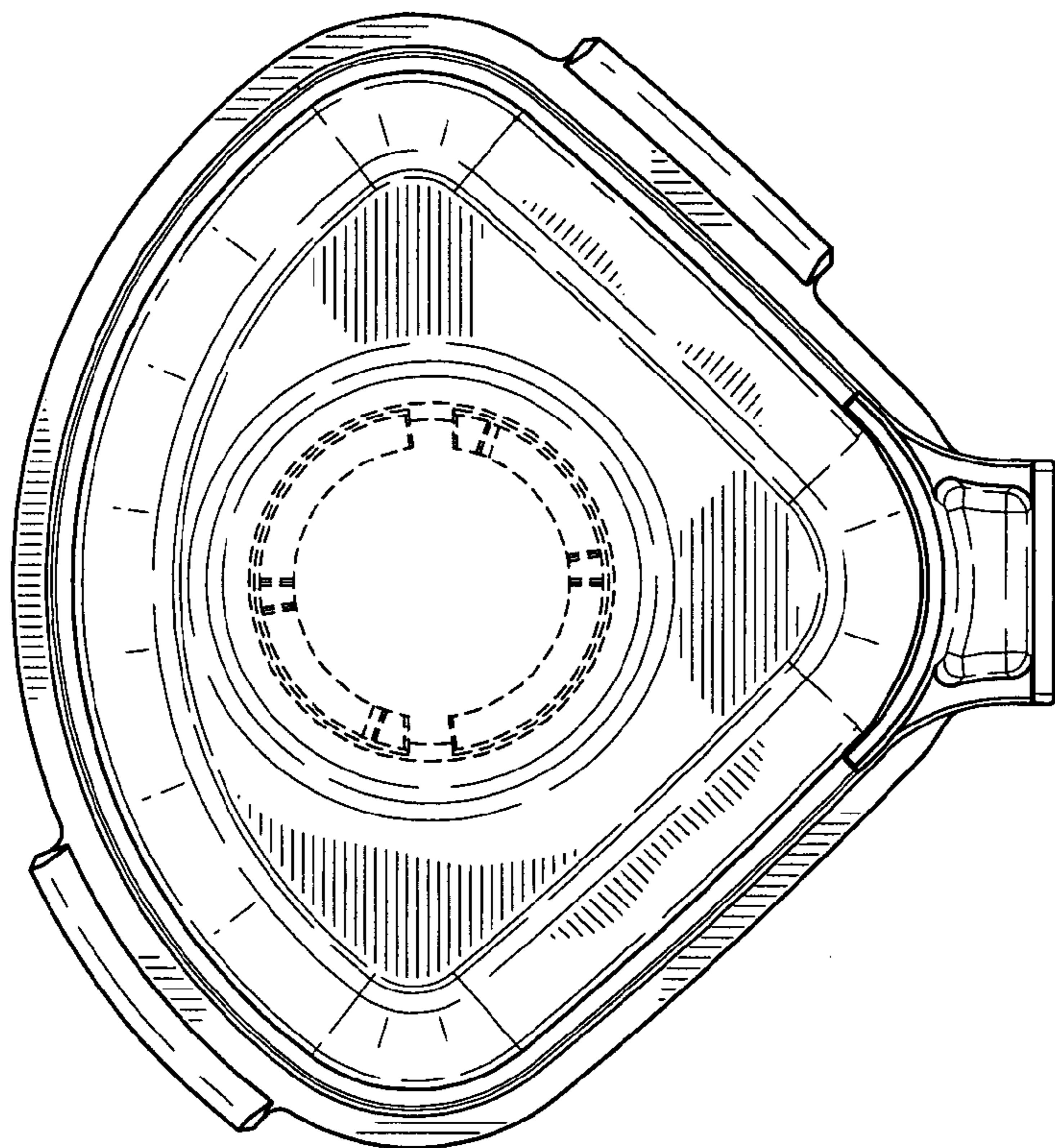


FIG-4

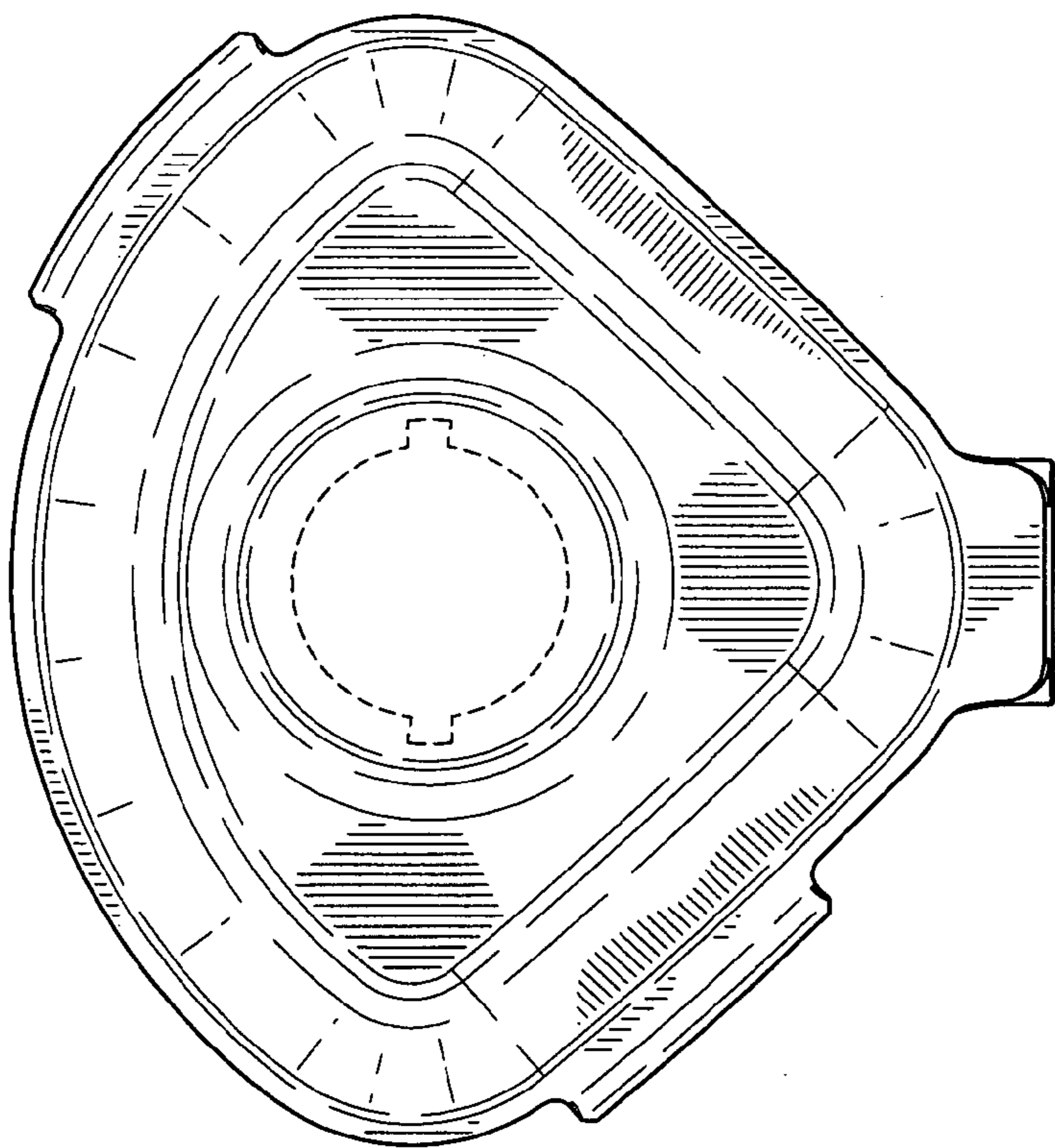


FIG-3

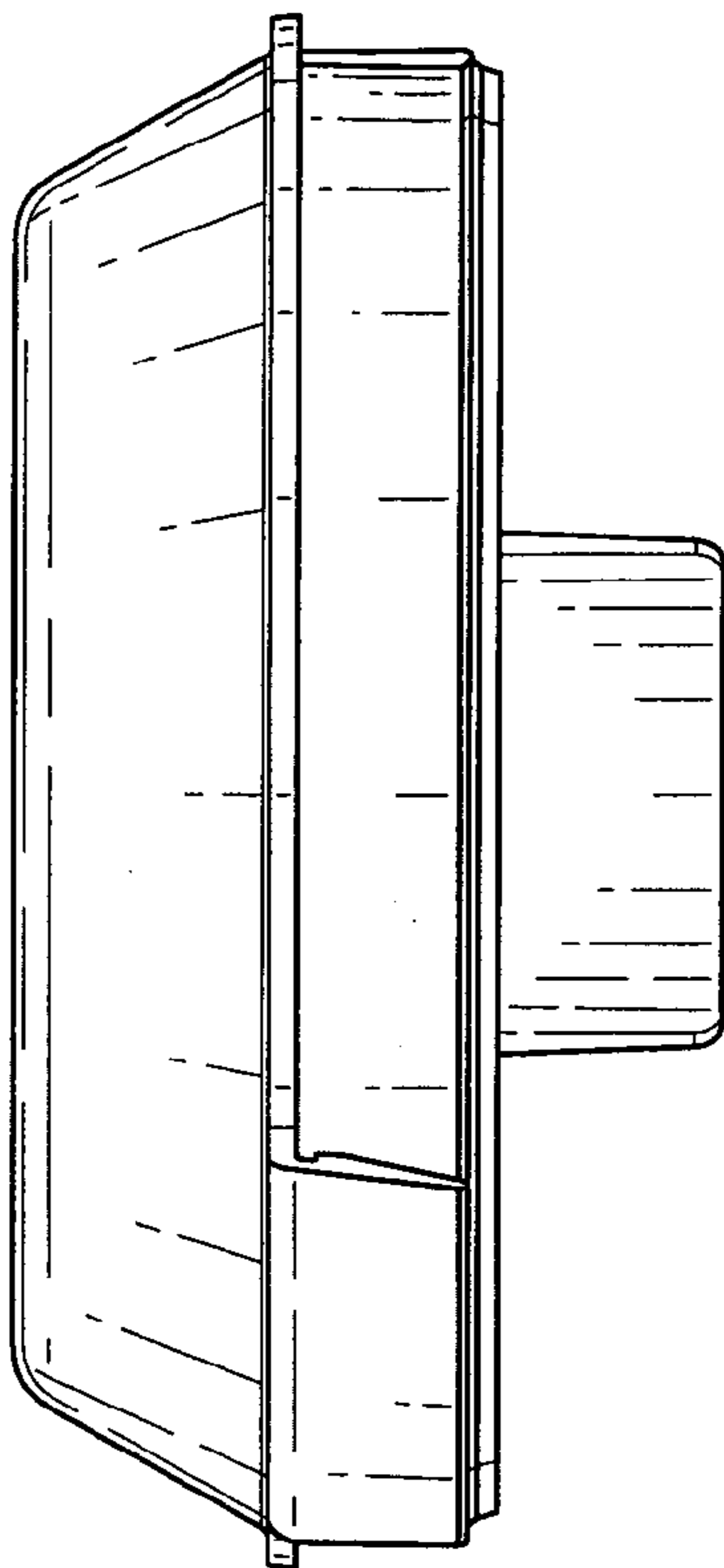


FIG-6

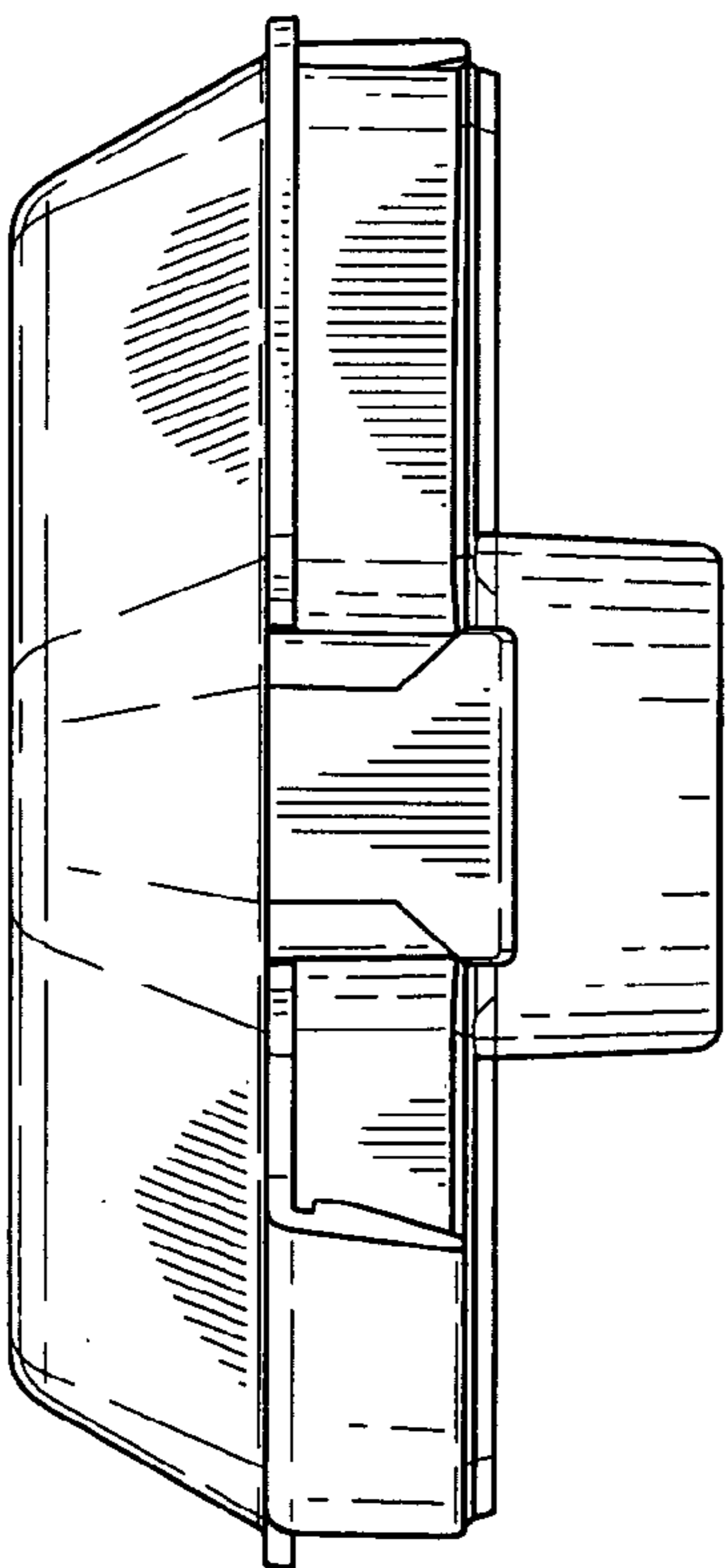


FIG-5

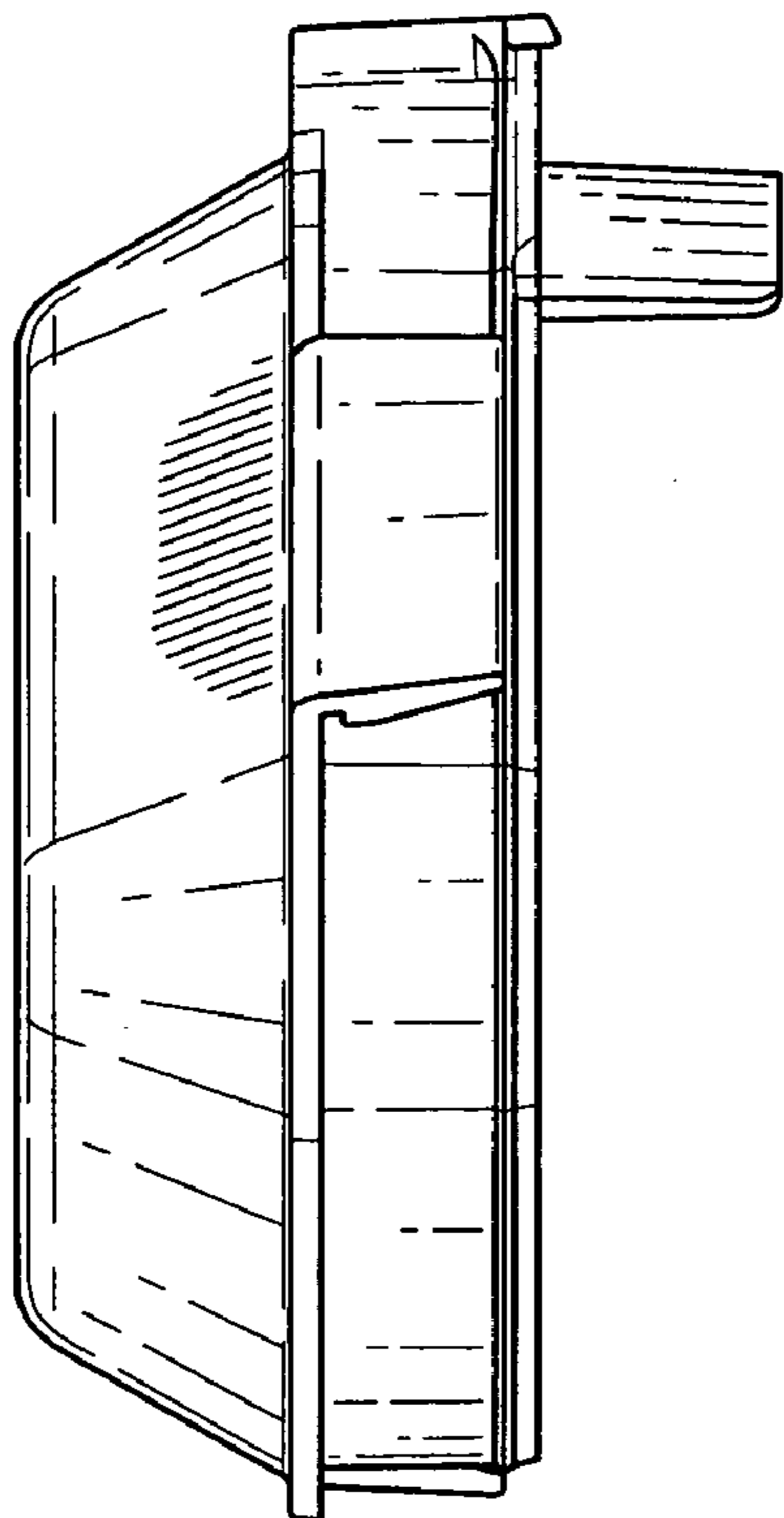


FIG-8

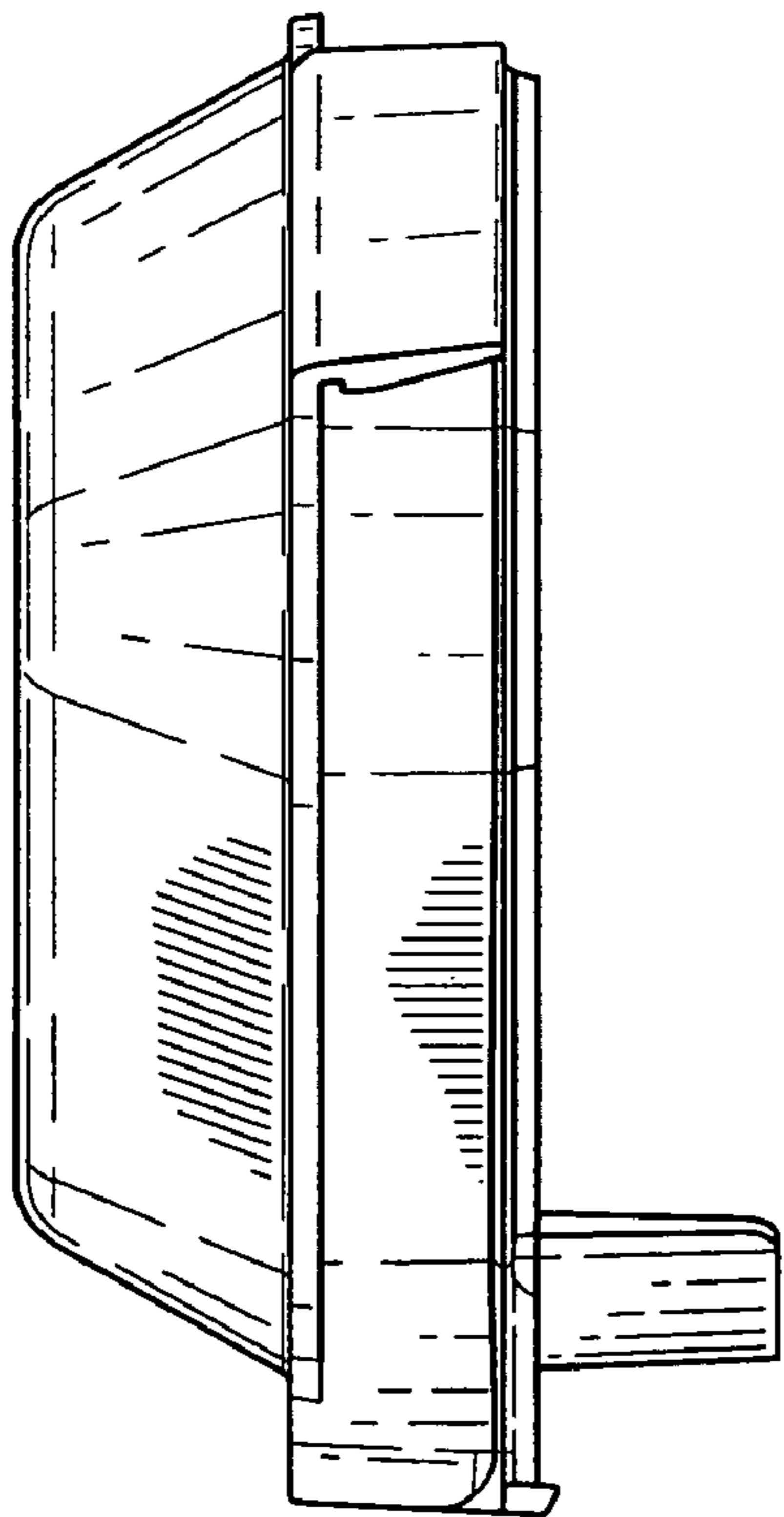


FIG-7