



US00D577538S

(12) **United States Design Patent**
Suh et al.

(10) **Patent No.:** **US D577,538 S**
(45) **Date of Patent:** **** Sep. 30, 2008**

(54) **KNOB FOR OVEN RANGE**

(75) Inventors: **Seung Wook Suh**, Seoul (KR); **Sei Ill Jeon**, Seoul (KR); **Andy Shin**, Seoul (KR); **Dong Won Chun**, Seoul (KR)

(73) Assignee: **Samsung Electronics Co., Ltd.**, Suwon (KR)

(**) Term: **14 Years**

(21) Appl. No.: **29/291,690**

(22) Filed: **Sep. 10, 2007**

(51) **LOC (8) Cl.** **07-02**

(52) **U.S. Cl.** **D7/393**

(58) **Field of Classification Search** D7/393,
D7/332-349, 402, 405, 406; D8/300-302,
D8/306, 307, 310-312; 16/417, 433, 441,
16/442; 126/1 R, 4, 39 G, 19 R, 1 A-1 E,
126/273 R-273 A; 200/336; 116/309, 315,
116/319, 320

See application file for complete search history.

(56) **References Cited**

U.S. PATENT DOCUMENTS

D198,028 S *	4/1964	Collins	D8/311
D207,489 S *	4/1967	Collins	D8/311
3,534,706 A *	10/1970	Crispell	116/320
D225,204 S *	11/1972	Kendrick	D8/311
D371,486 S *	7/1996	Chan	D7/393
D400,778 S *	11/1998	Holbrook, Jr.	D8/311
D443,496 S *	6/2001	DeCosse	D8/300
D467,489 S *	12/2002	Rubinson	D8/310

D493,090 S *	7/2004	Chen et al.	D8/310
D504,300 S *	4/2005	Chen et al.	D8/310
D511,669 S *	11/2005	Miller	D8/300
D525,518 S *	7/2006	Baldwin	D8/310
D533,024 S *	12/2006	Giugiaro	D7/393

* cited by examiner

Primary Examiner—Holly H. Baynham

Assistant Examiner—Cynthia M Chin

(74) *Attorney, Agent, or Firm*—Ladas & Parry LLP

(57) **CLAIM**

We claim the ornamental design for knob for oven range, as shown and described.

DESCRIPTION

FIG. 1 is a front/right-side/top perspective view of a knob for oven range showing our new design;

FIG. 2 is a front-side elevational view thereof;

FIG. 3 is a rear-side elevational view thereof;

FIG. 4 is a left-side elevational view thereof;

FIG. 5 is a right-side elevational view thereof;

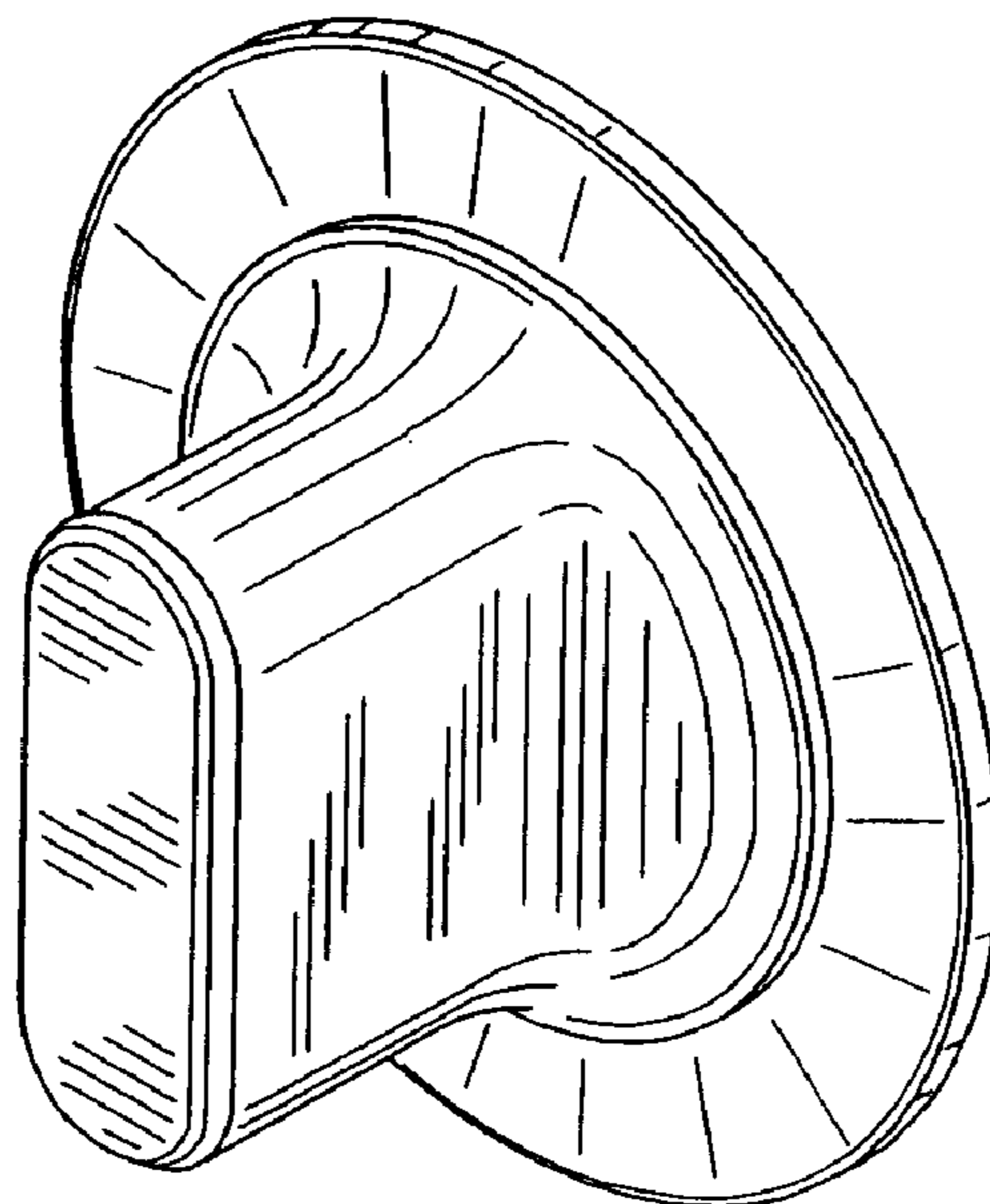
FIG. 6 is a top plan view thereof;

FIG. 7 is a bottom plan view thereof; and,

FIG. 8 is a front/right-side/top perspective view which shows a knob for an oven range positioned on the front panel of an oven range.

The broken lines showing of the oven range is for illustrative purpose only and form no part of the claimed design.

1 Claim, 4 Drawing Sheets



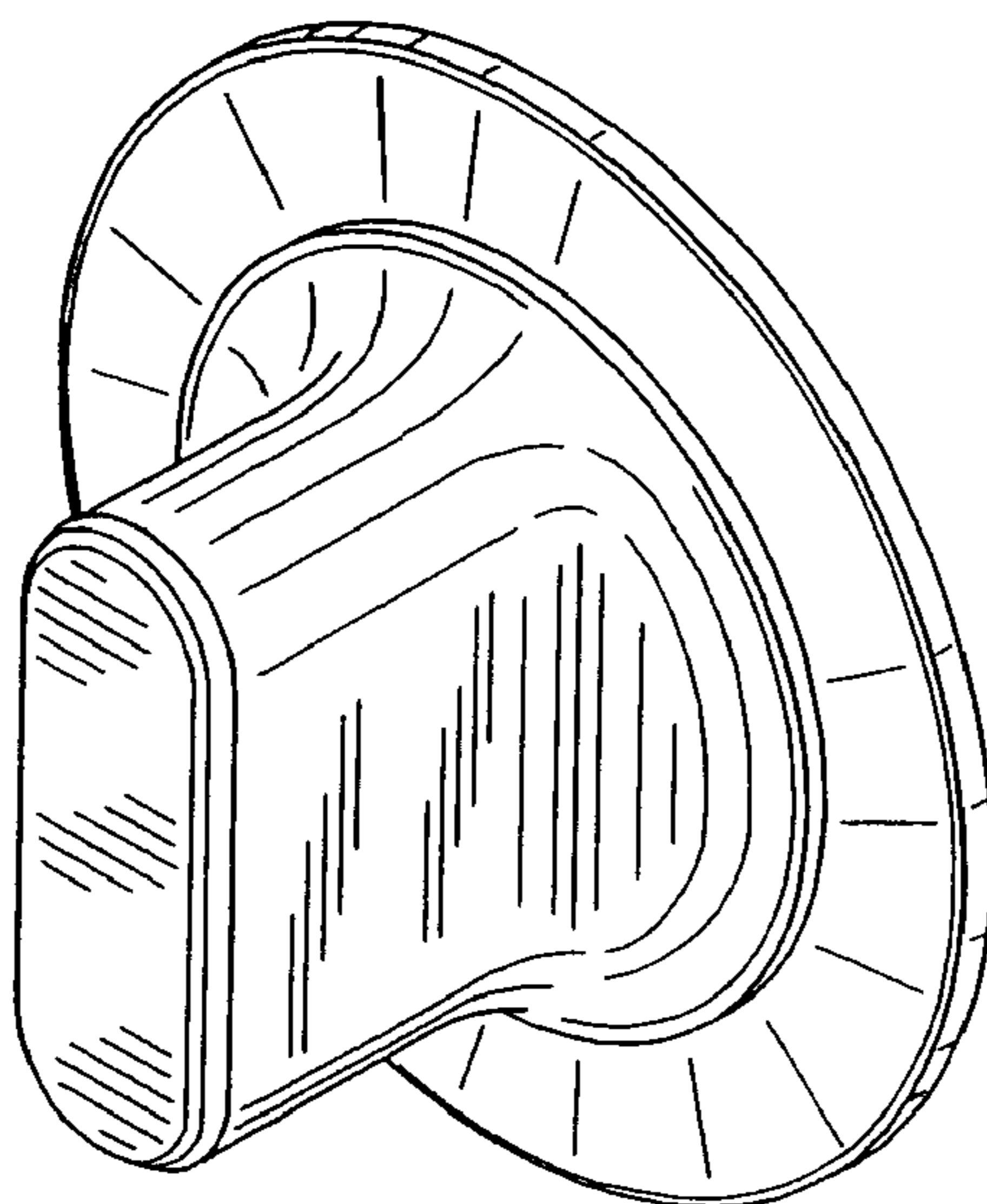


FIG. 1

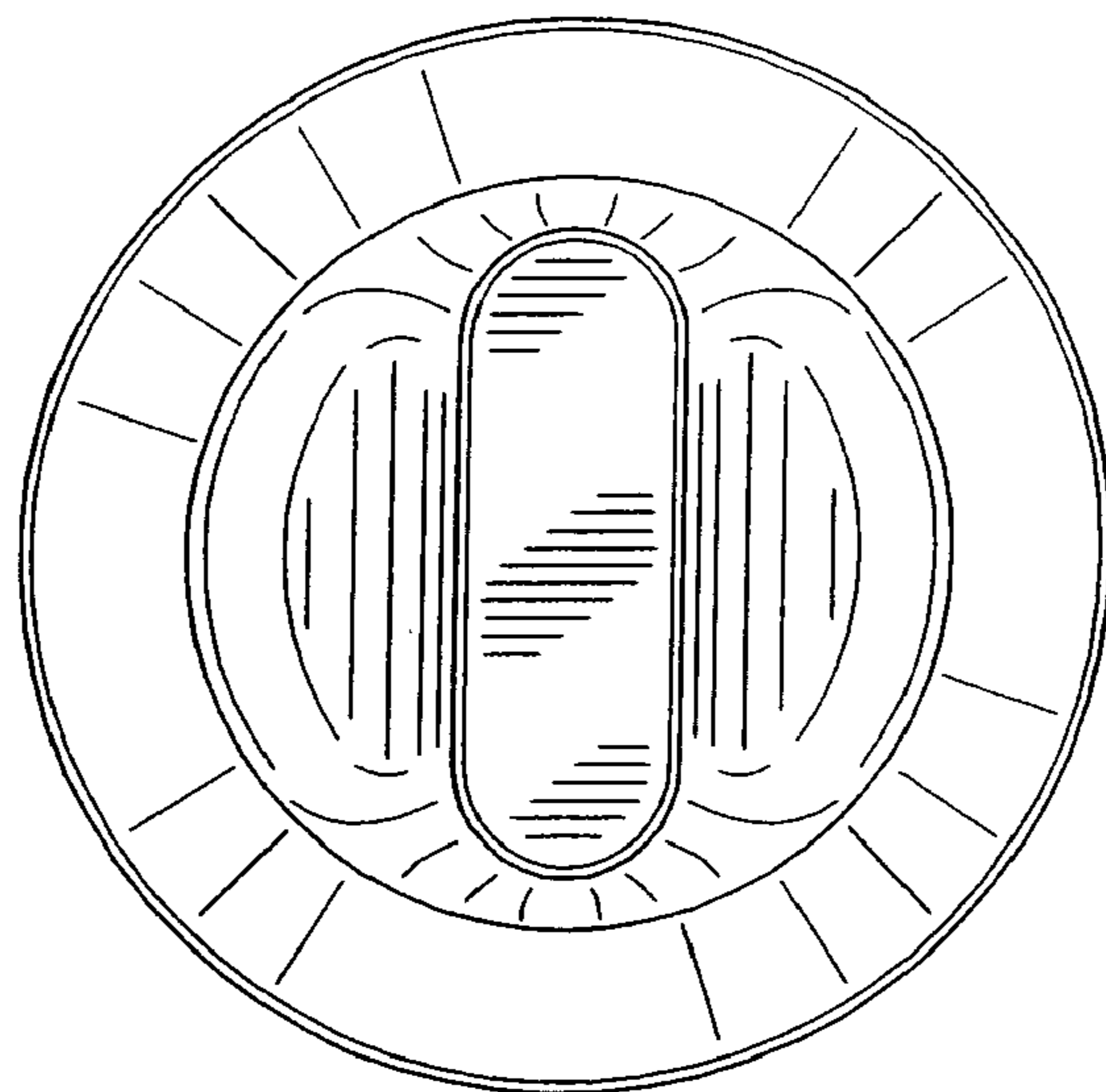


FIG. 2

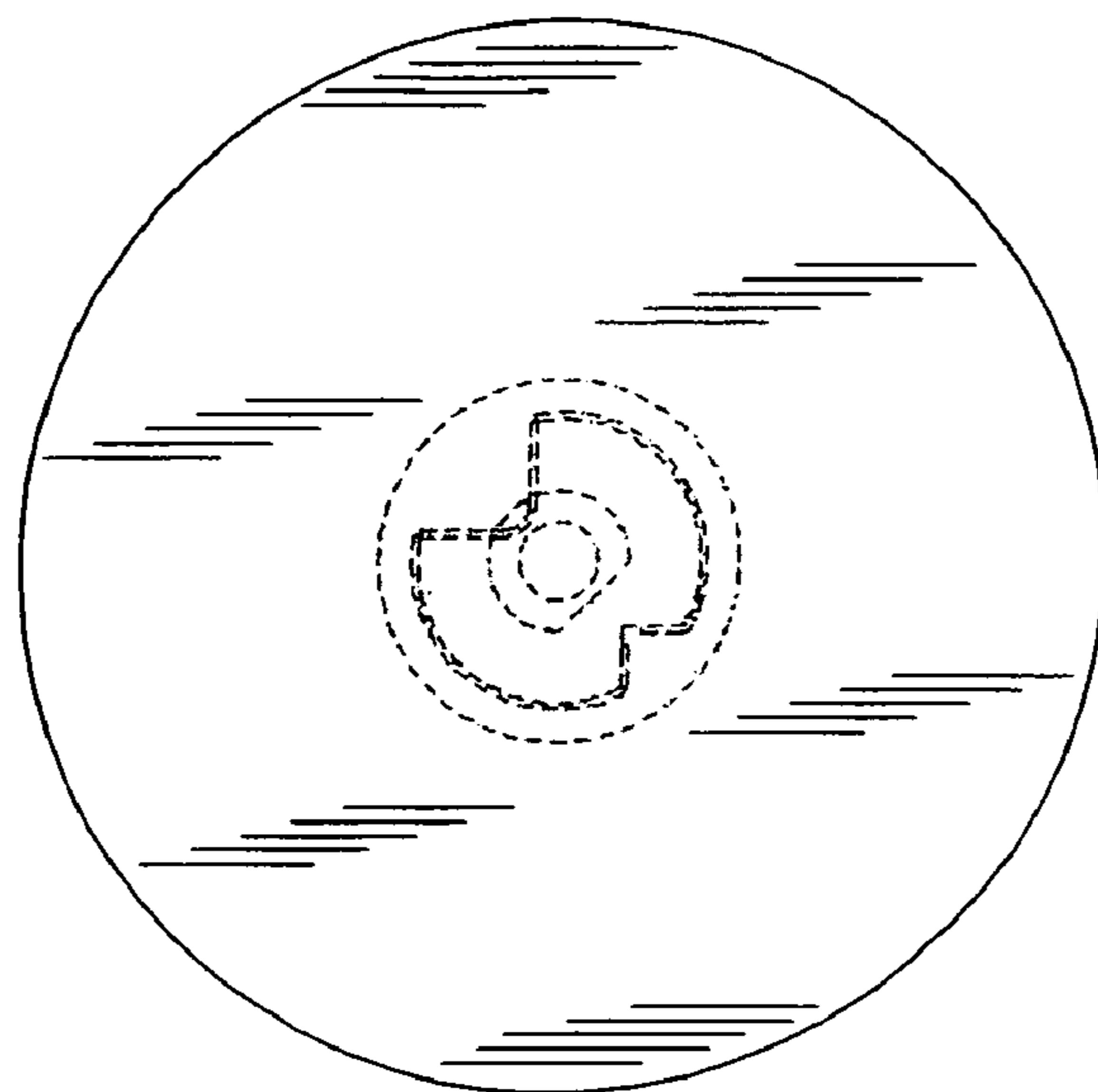


FIG. 3

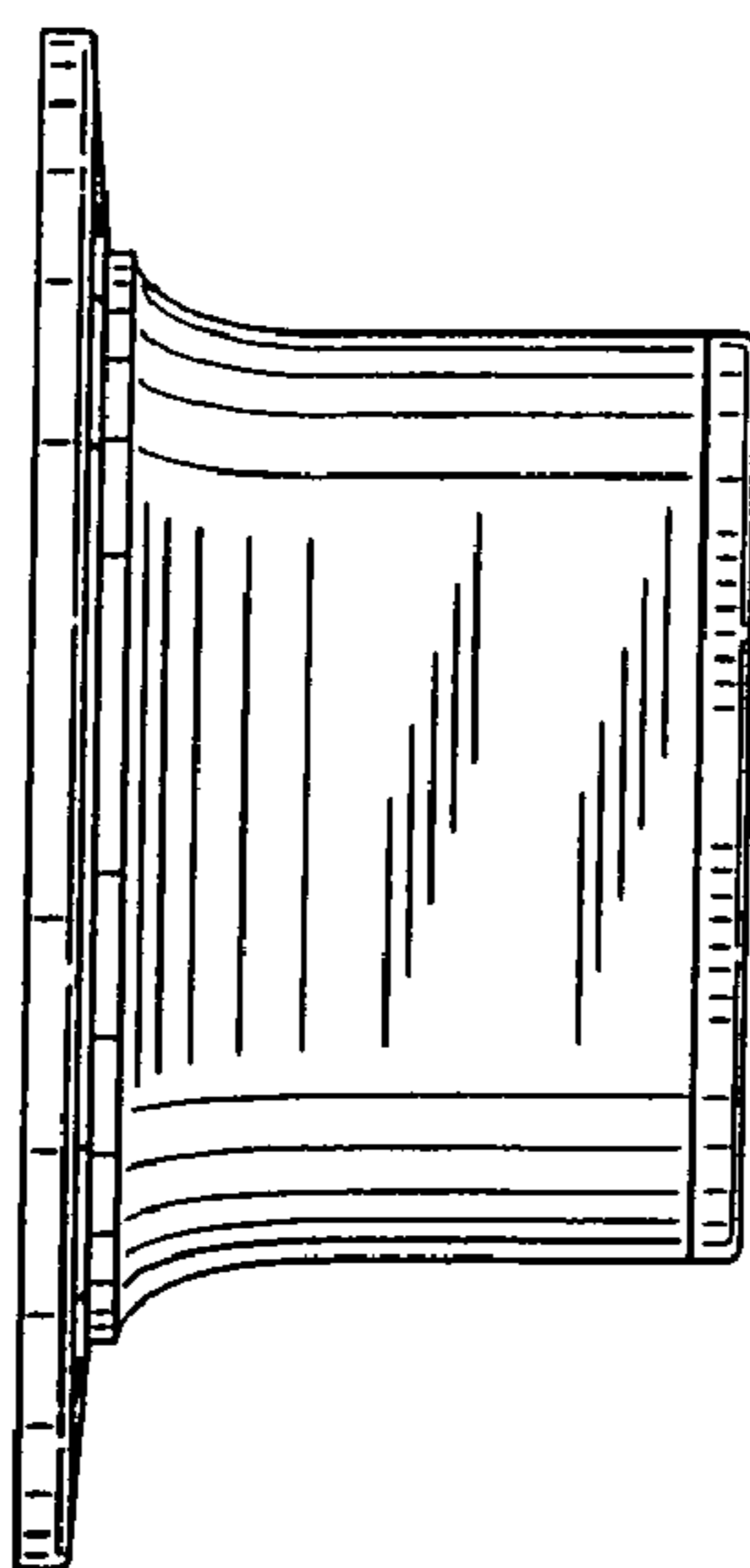


FIG. 4

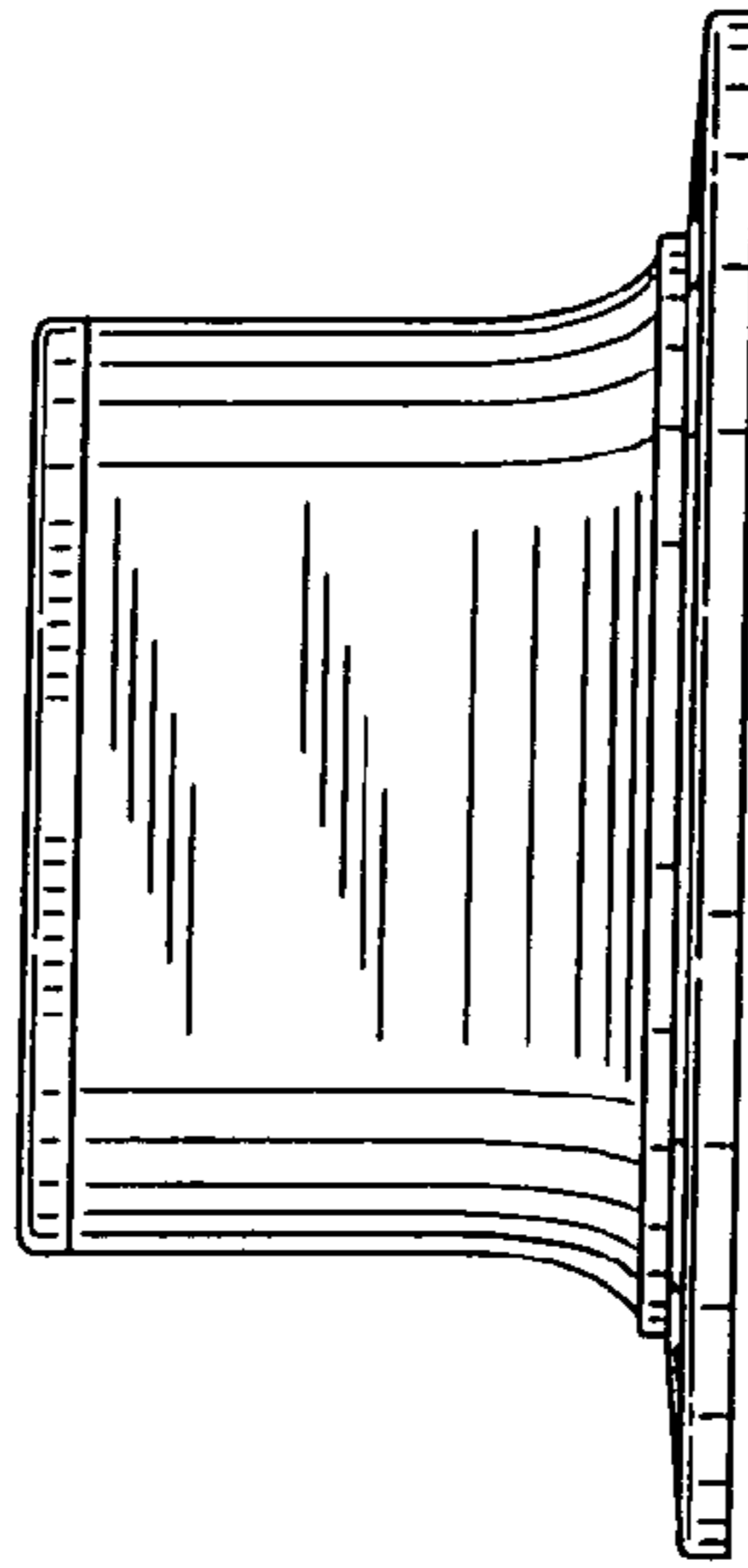


FIG. 5

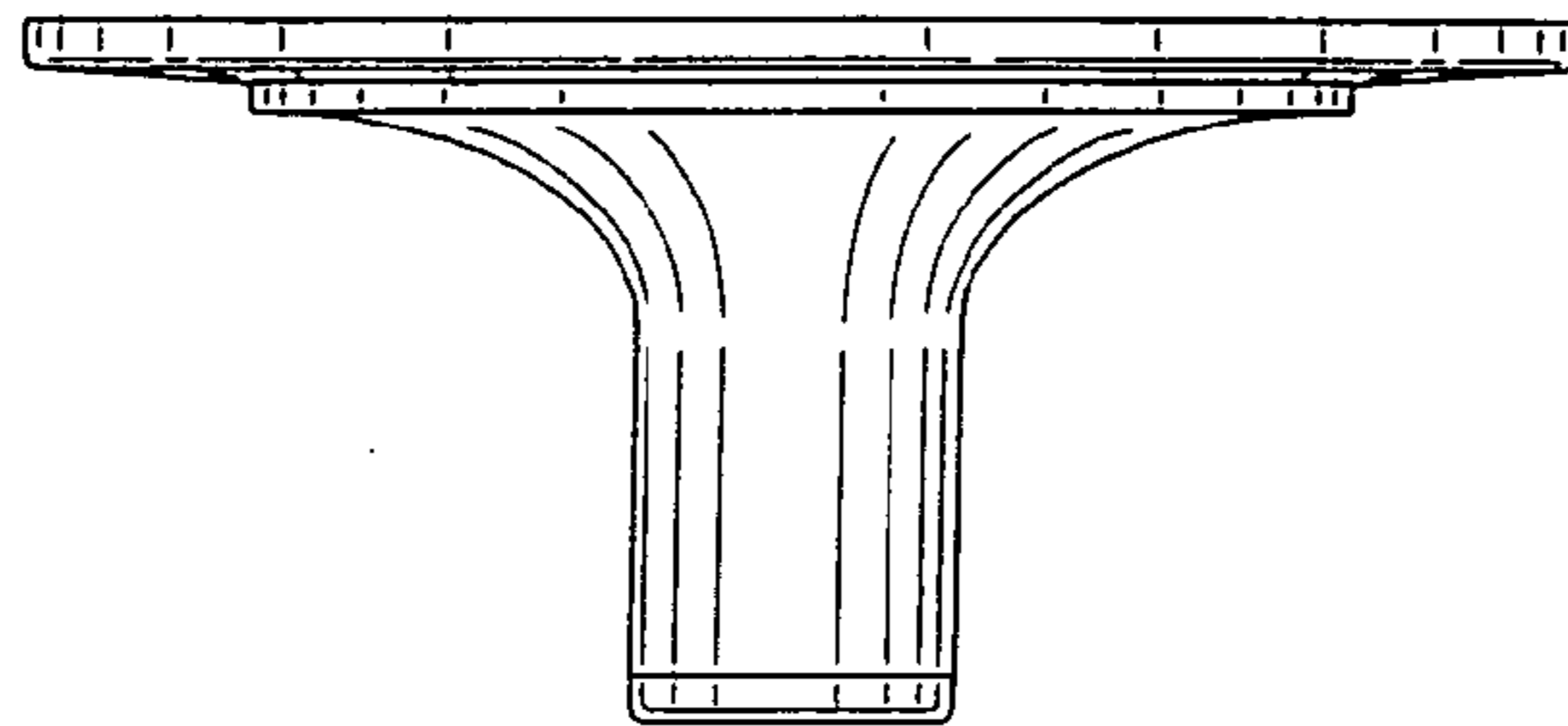


FIG. 6

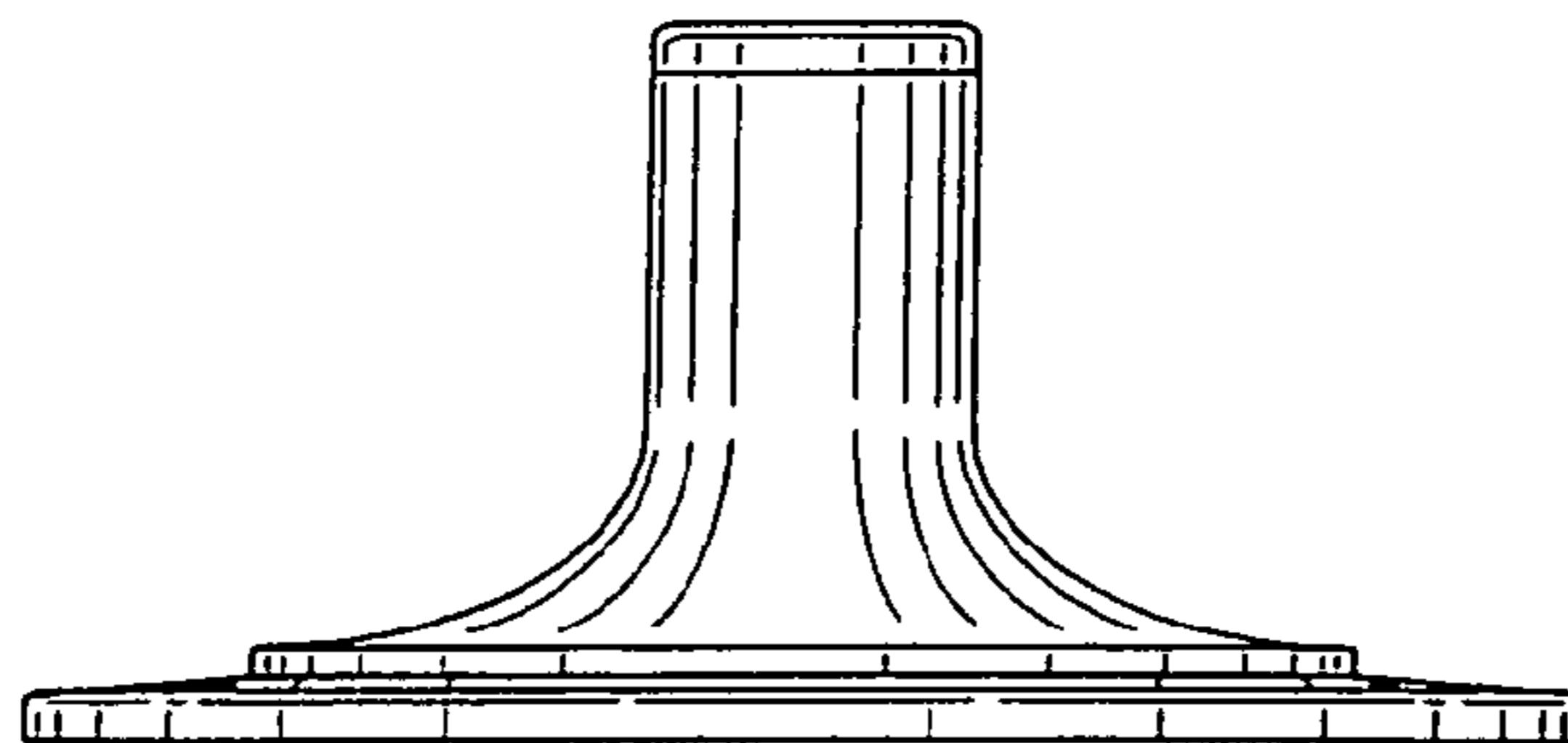


FIG. 7

FIG. 8

