



US00D577537S

(12) **United States Design Patent**
Lee

(10) **Patent No.:** **US D577,537 S**
(45) **Date of Patent:** **** Sep. 30, 2008**

(54) **BLENDER**

(75) Inventor: **Steve S. Lee**, St. Joseph, MI (US)

(73) Assignee: **Whirlpool Corporation**, Benton Harbor, MI (US)

(**) Term: **14 Years**

(21) Appl. No.: **29/305,015**

(22) Filed: **Mar. 12, 2008**

(51) **LOC (8) Cl.** **31-00**

(52) **U.S. Cl.** **D7/386; D7/378**

(58) **Field of Classification Search** D7/376-386,
D7/412-414, 665; 99/509-511; 241/30-37.5,
241/101.01-101.2, 166-169.1, 274-278.2,
241/285.1-285.3, 291, 292.1; 366/64-67,
366/98, 197-211, 241-254, 279-292, 341-343
See application file for complete search history.

(56) **References Cited**

U.S. PATENT DOCUMENTS

D309,548 S *	7/1990	McCloskey	D7/378
D339,715 S *	9/1993	Barrault	D7/378
D347,966 S *	6/1994	Doggett	D7/378
D369,512 S *	5/1996	Brady	D7/386
D404,247 S *	1/1999	Spagnolo	D7/378
D404,606 S *	1/1999	Huang	D7/378
D404,607 S *	1/1999	Huang	D7/378
6,092,922 A *	7/2000	Kett et al.	366/205

D526,531 S *	8/2006	Drees et al.	D7/378
D533,395 S *	12/2006	Drees et al.	D7/378
D537,674 S *	3/2007	Davenport et al.	D7/378
D552,419 S *	10/2007	Picozza et al.	D7/412

OTHER PUBLICATIONS

Sur La Table, Holiday 2001, p. 93, Item H., KitchenAid UltraPower Brushed Nickel Blender.*

* cited by examiner

Primary Examiner—Caron D. Veynar

Assistant Examiner—Ricky Pham

(74) *Attorney, Agent, or Firm*—Tara M. Hartman; Michael D. Lafrenz

(57) **CLAIM**

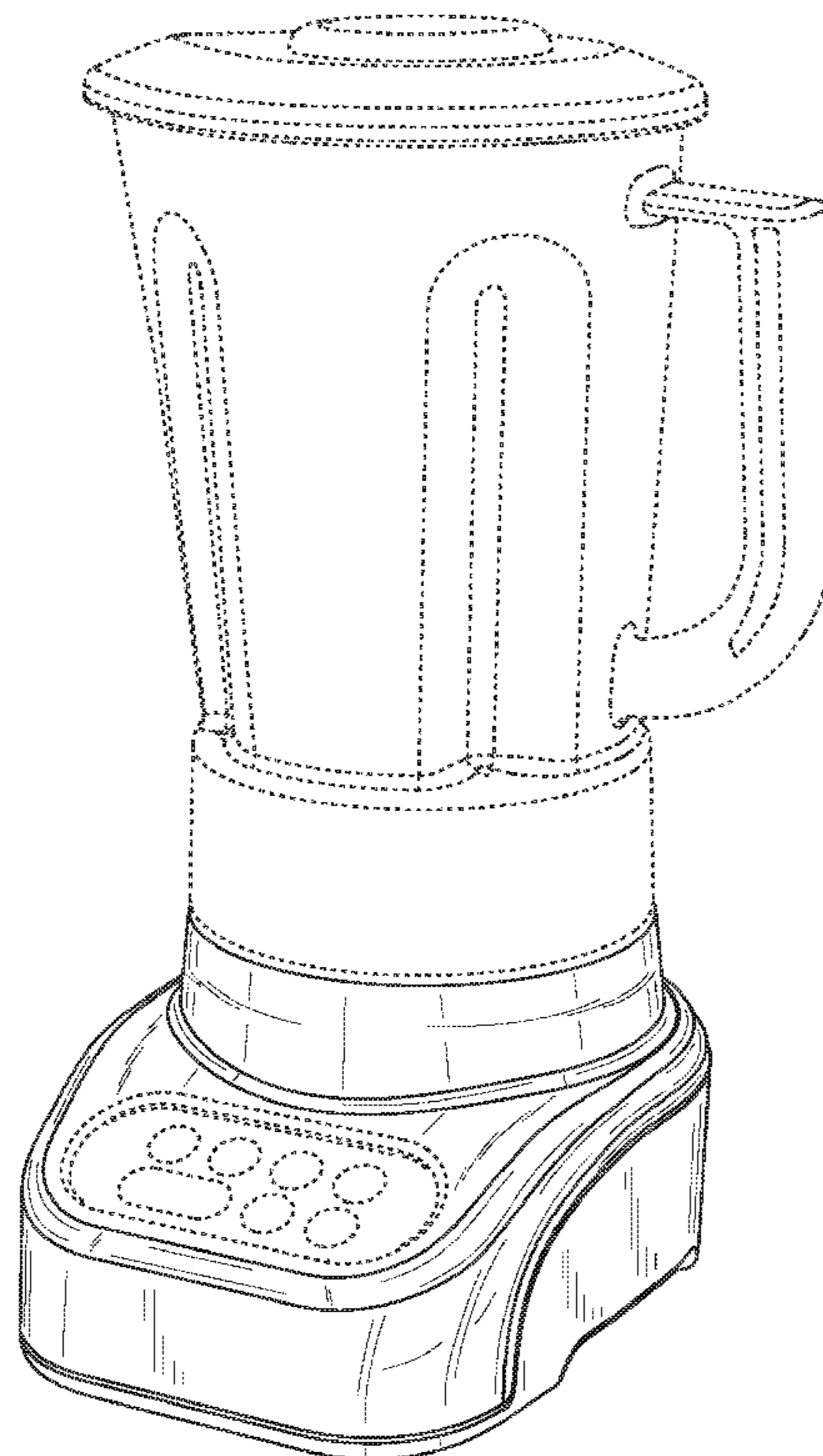
The ornamental design for a blender, as shown and described.

DESCRIPTION

FIG. 1 is a front perspective view of the design of the blender; FIG. 2 is a front elevational view thereof; FIG. 3 is a rear elevational view thereof; FIG. 4 is a left side elevational view thereof; FIG. 5 is a right side elevational view thereof; and, FIG. 6 is a top plan view thereof.

The portion shown in broken lines is for illustration purposes only and forms no part of the claimed design.

1 Claim, 6 Drawing Sheets



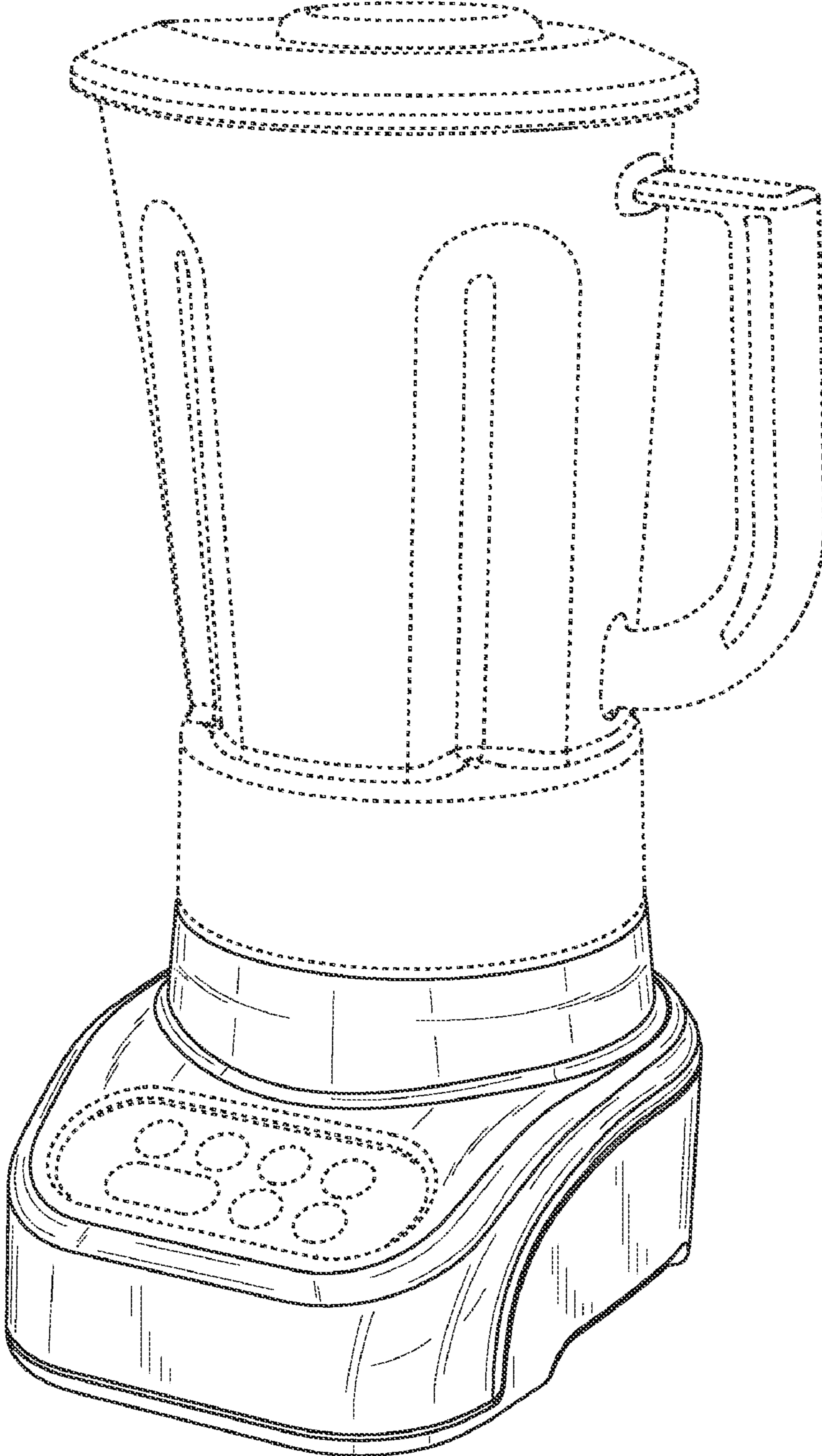


Fig. 1

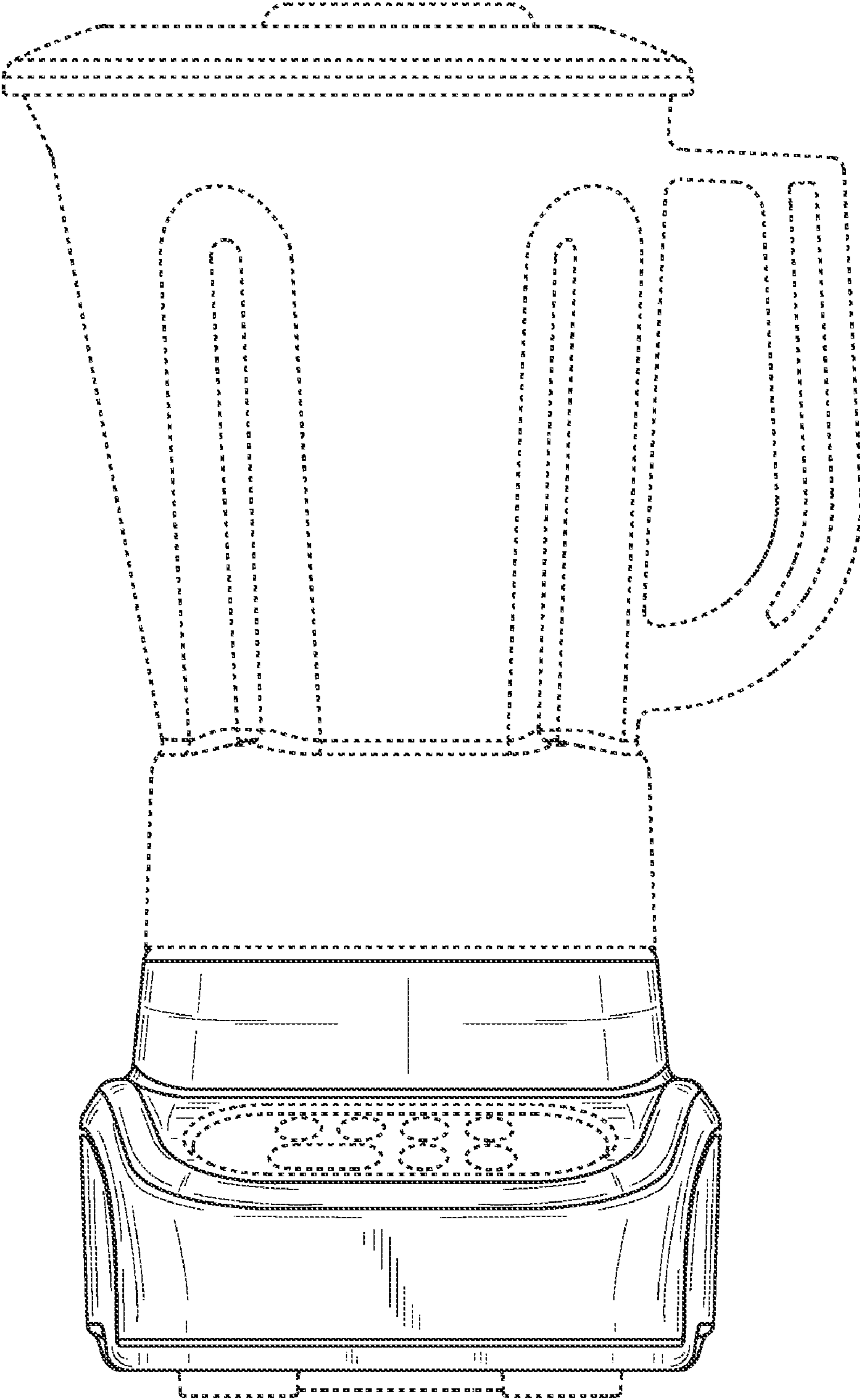


Fig. 2

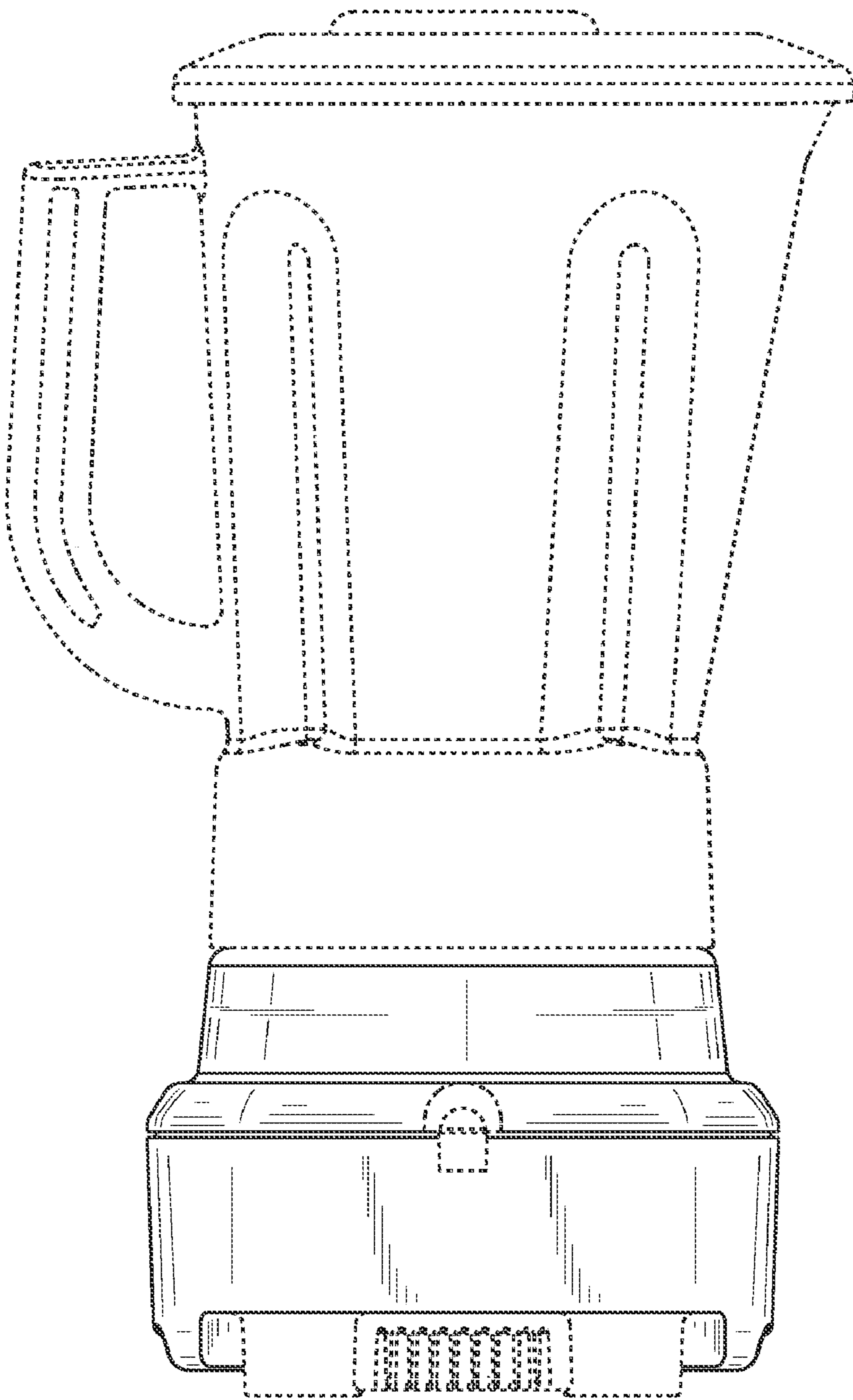


Fig. 3

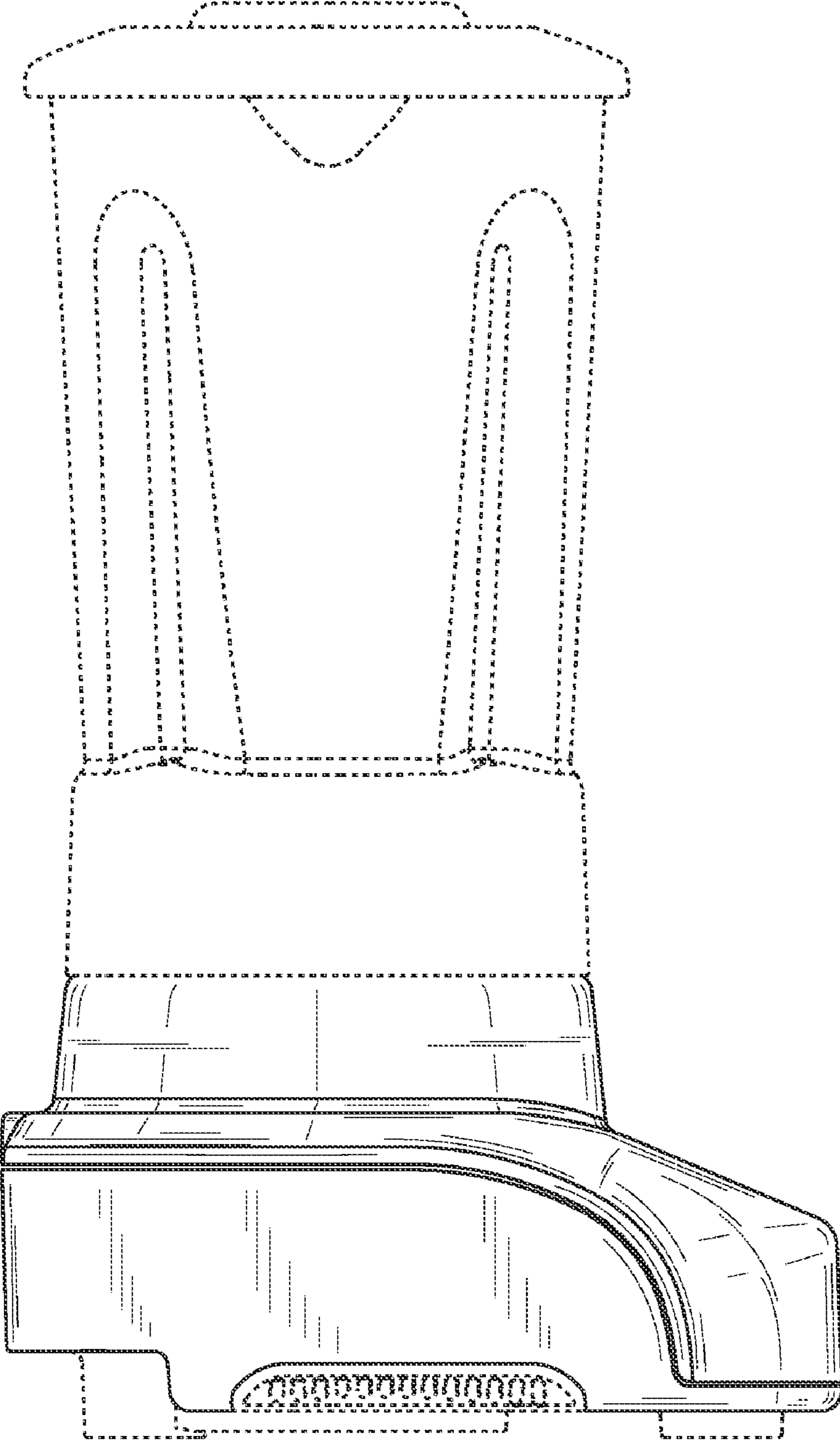


Fig. 4

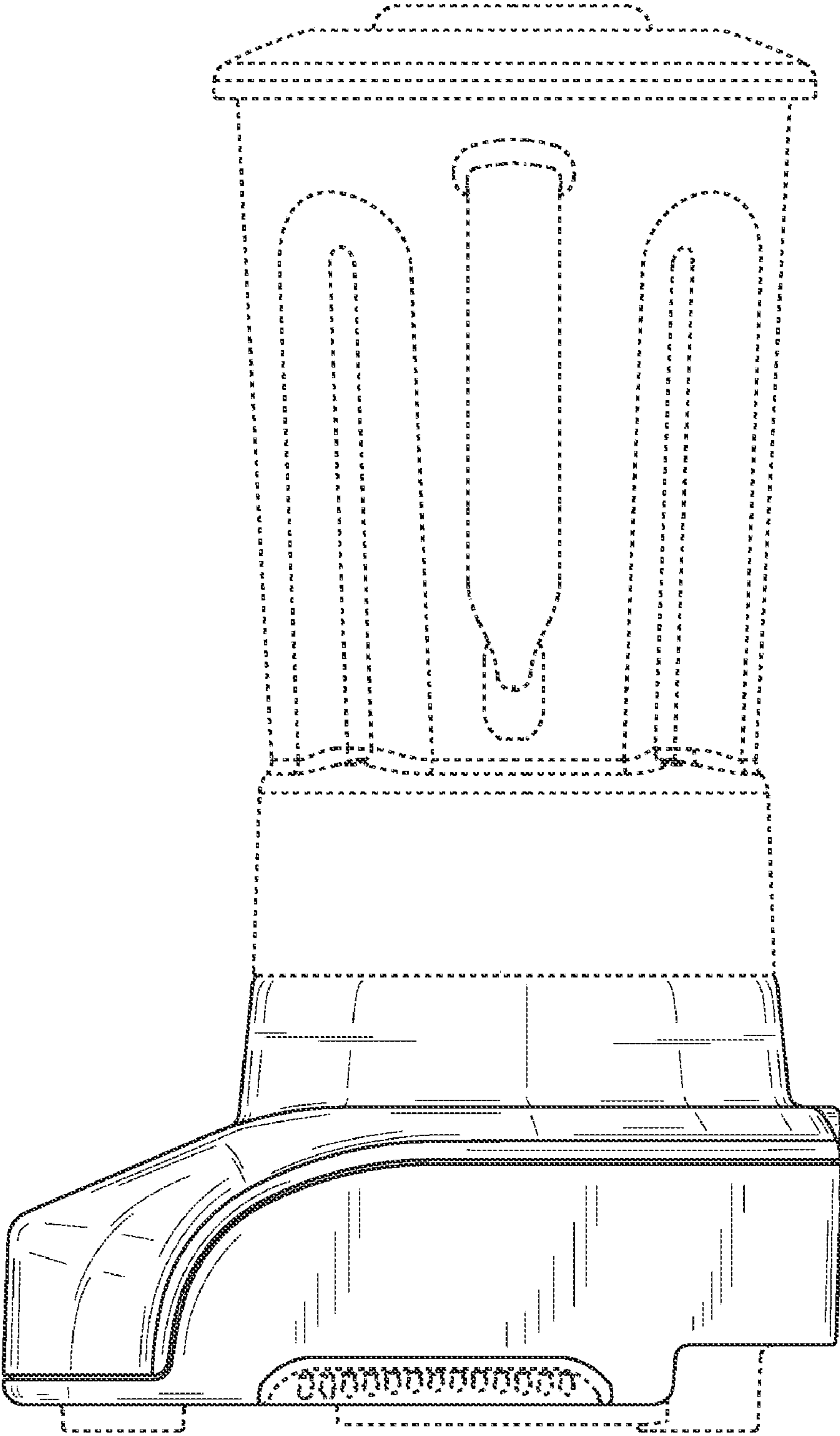


Fig. 5

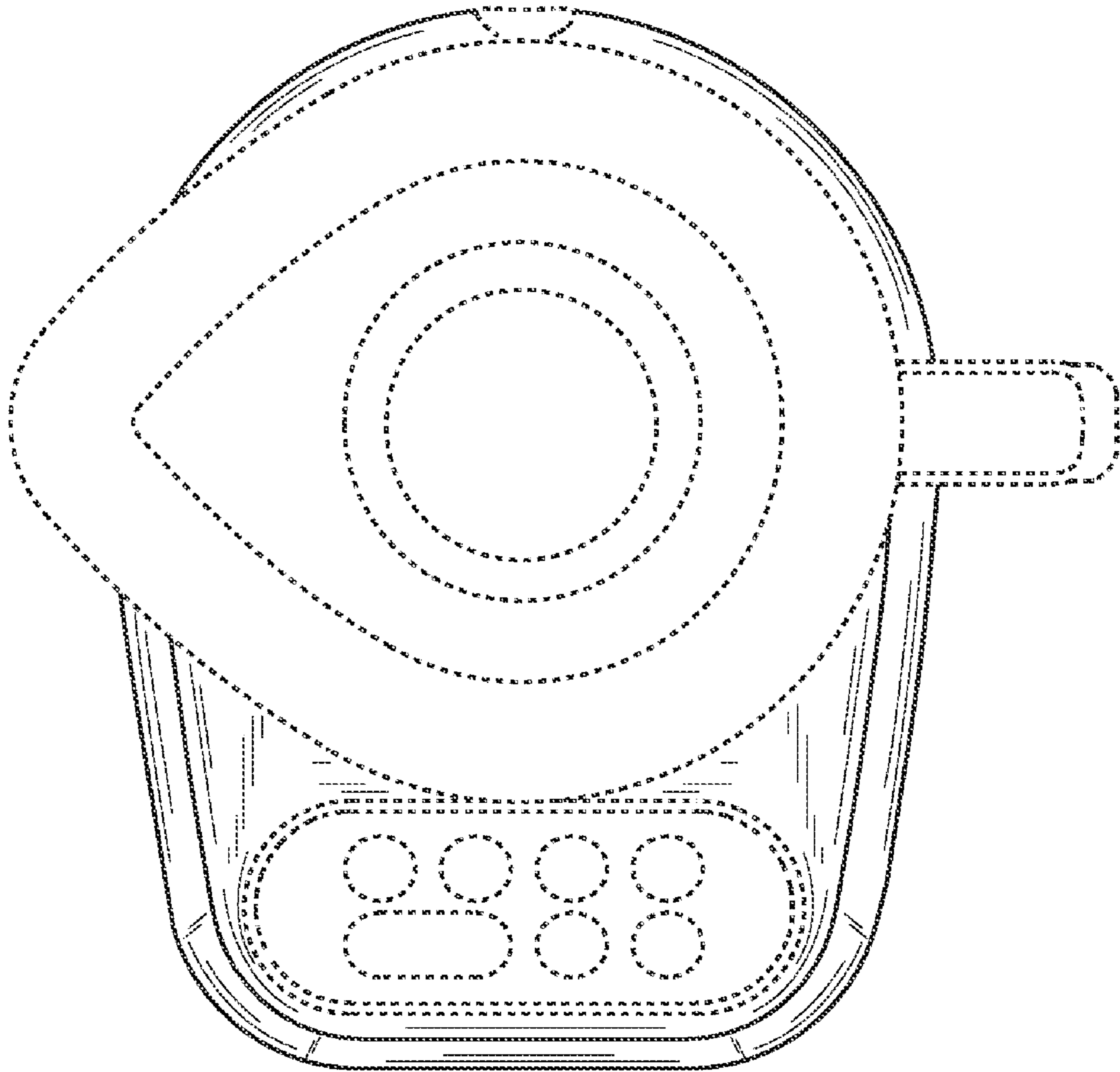


Fig. 6