



US00D577536S

(12) **United States Design Patent**  
**Currie**

(10) **Patent No.:** **US D577,536 S**

(45) **Date of Patent:** **\*\* Sep. 30, 2008**

(54) **STICK MIXER**

(75) Inventor: **Neil Anthony Currie,**  
Stourport-on-Severn (GB)

(73) Assignee: **3rd Angle (U.K.) Ltd.,** Highley,  
Shropshire, WV (GB)

(\*\*) Term: **14 Years**

(21) Appl. No.: **29/305,627**

(22) Filed: **Mar. 25, 2008**

(30) **Foreign Application Priority Data**

Sep. 26, 2007 (EM) ..... 000796834

(51) **LOC (8) Cl.** ..... **31-00**

(52) **U.S. Cl.** ..... **D7/376**

(58) **Field of Classification Search** ..... D7/323,  
D7/337, 354-361, 365, 376-379, 383-384,  
D7/412-414, 545, 560, 673, 678, 693; D15/150;  
99/324-325, 329 R, 330-340, 347, 403, 410-413,  
99/419, 473; 219/386, 401, 428-432, 435-436,  
219/440-441; 220/203.01, 203.07, 303,  
220/573.1, 912; 366/64-67, 98, 100, 129-130,  
366/241, 249, 341-343

See application file for complete search history.

(56) **References Cited**

**U.S. PATENT DOCUMENTS**

D319,754 S \* 9/1991 Maass ..... D7/379

D322,382 S \* 12/1991 Maass ..... D7/384  
D328,998 S \* 9/1992 Maass ..... D7/376  
D345,078 S \* 3/1994 Gotzsch ..... D7/384  
D367,800 S \* 3/1996 Littmann ..... D7/384  
D392,150 S \* 3/1998 Tanaka et al. .... D7/384  
5,990,456 A \* 11/1999 Kilbride ..... 219/432  
D559,614 S \* 1/2008 Brown ..... D7/383

\* cited by examiner

*Primary Examiner*—Caron D. Veynar

*Assistant Examiner*—Ricky Pham

(74) *Attorney, Agent, or Firm*—Kusner & Jaffe

(57) **CLAIM**

The ornamental design for an stick mixer, as shown and described.

**DESCRIPTION**

FIG. 1 is a perspective view of a stick mixer showing my new design;

FIG. 2 is a left side elevational view thereof;

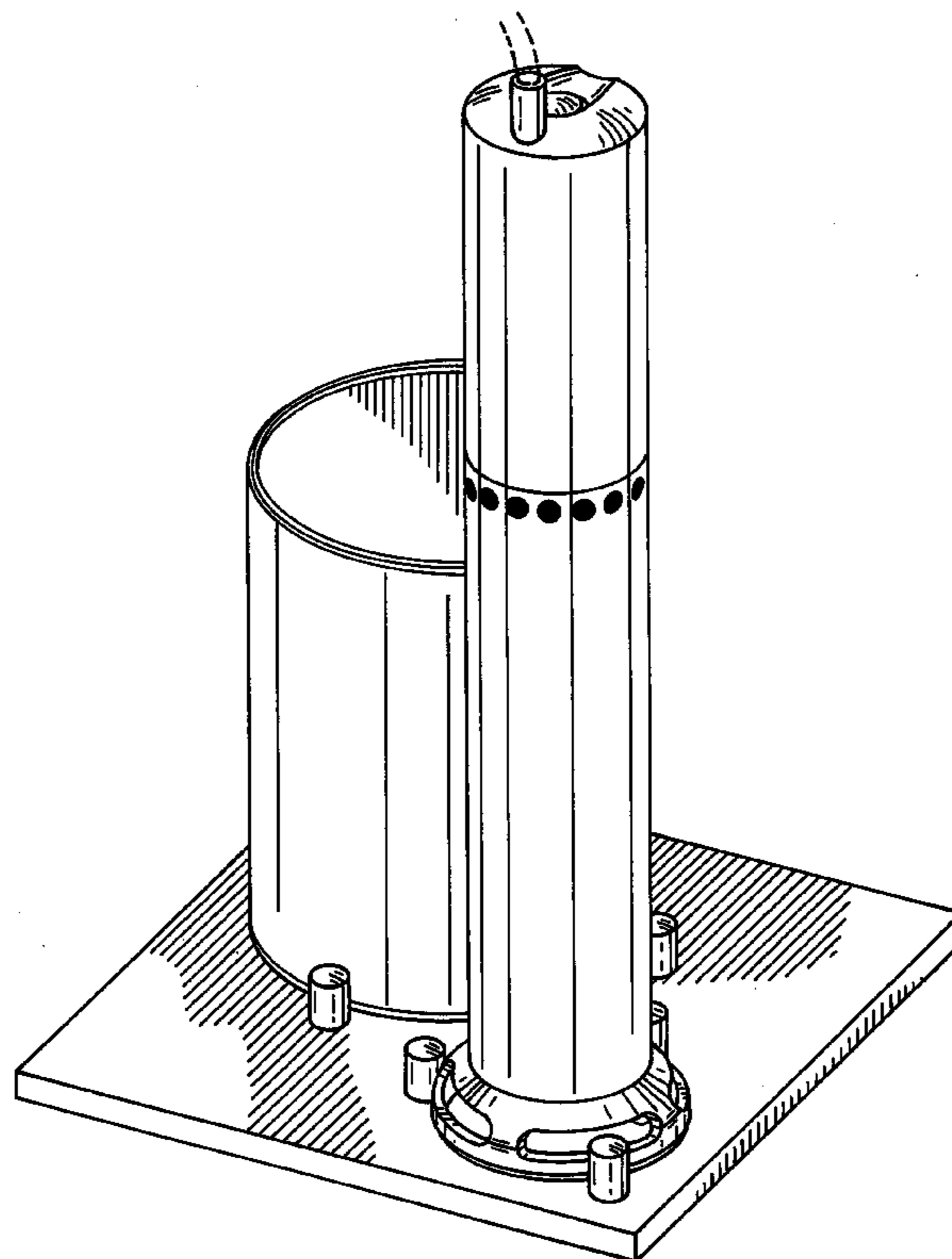
FIG. 3 is a right side elevational view thereof;

FIG. 4 is a rear elevational view thereof; and,

FIG. 5 is a top plan view thereof.

The broken lines shown in the drawings are for illustrative purposes only and form no part of the claimed design.

**1 Claim, 5 Drawing Sheets**



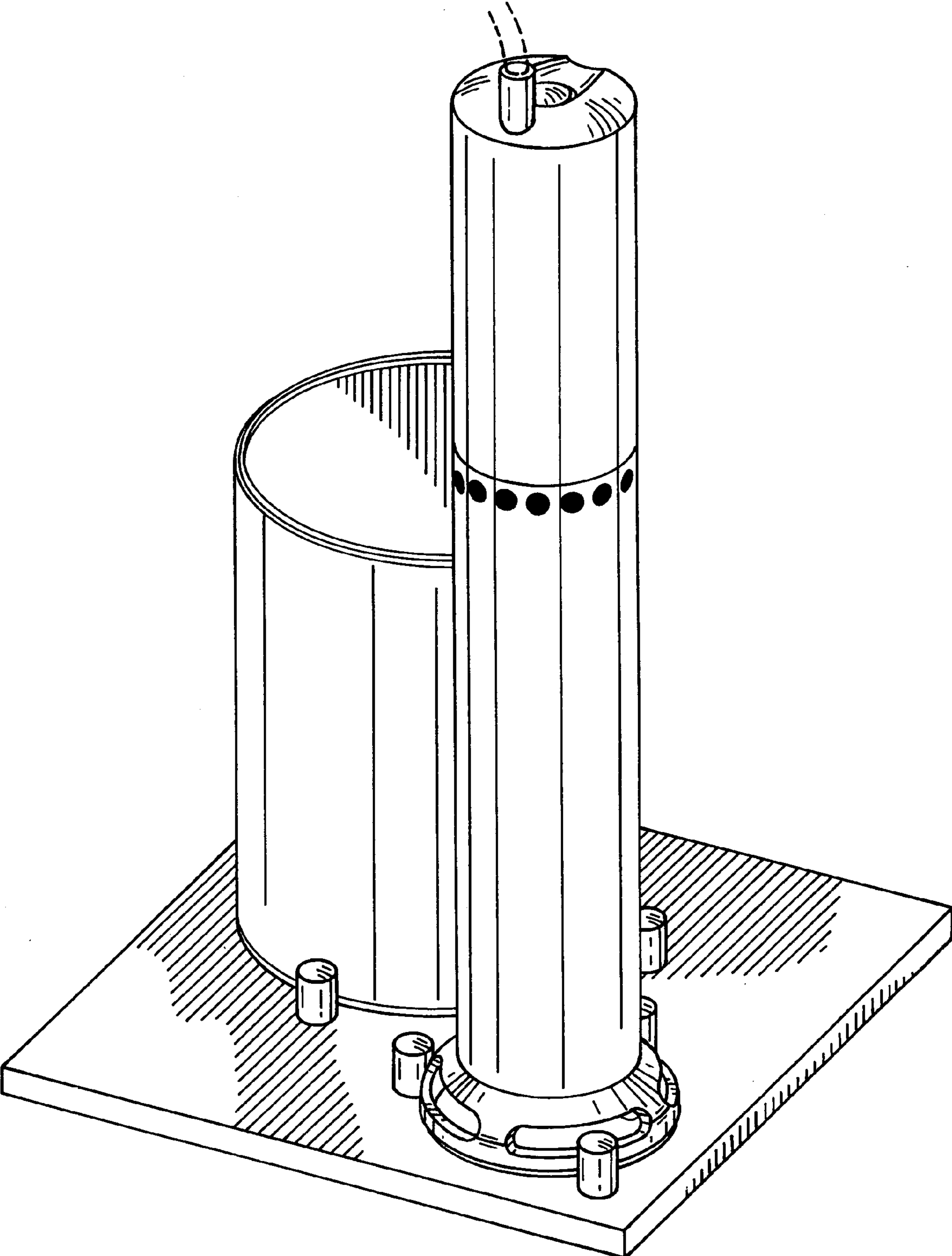


FIG. 1

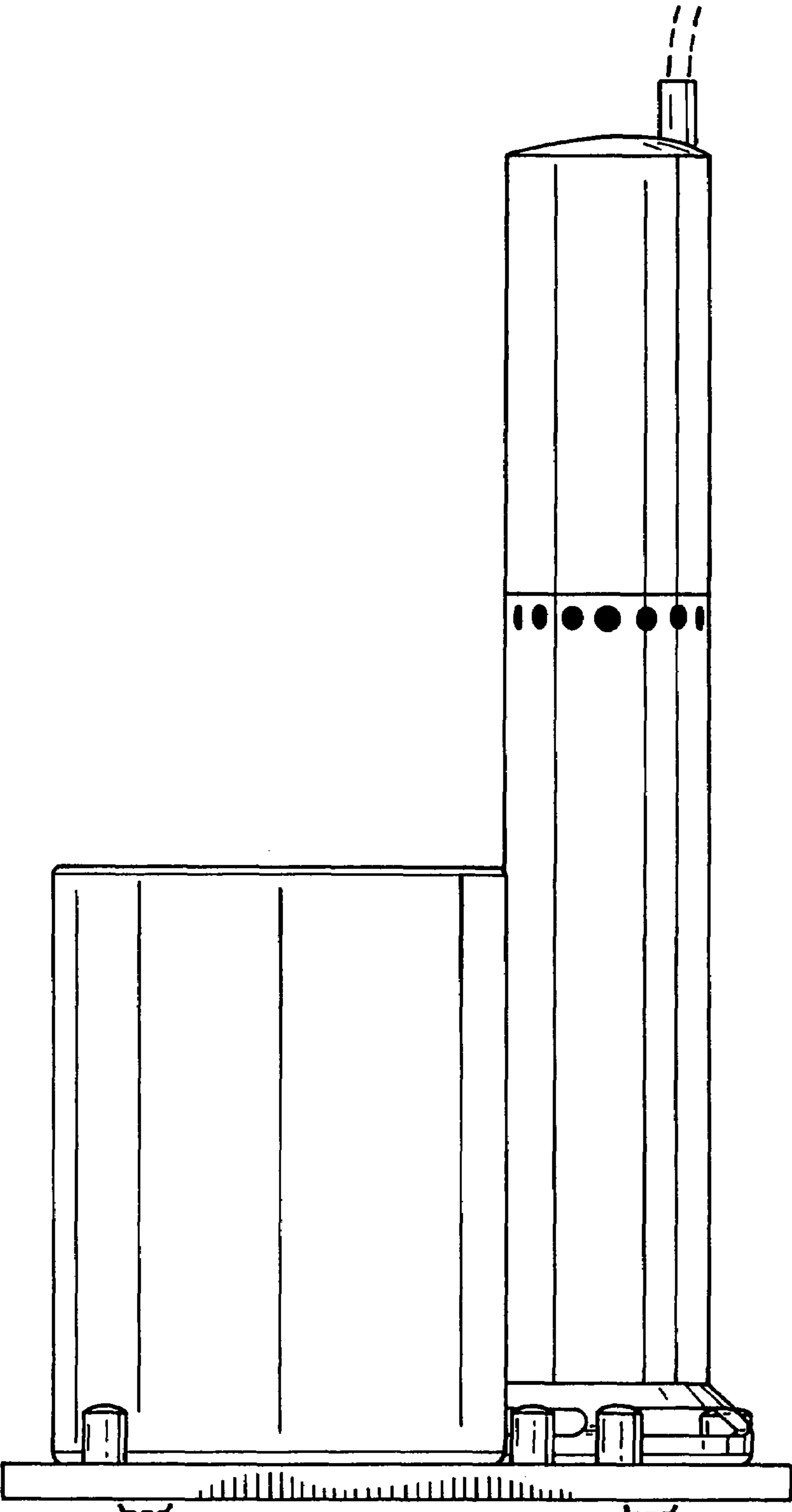


FIG. 2

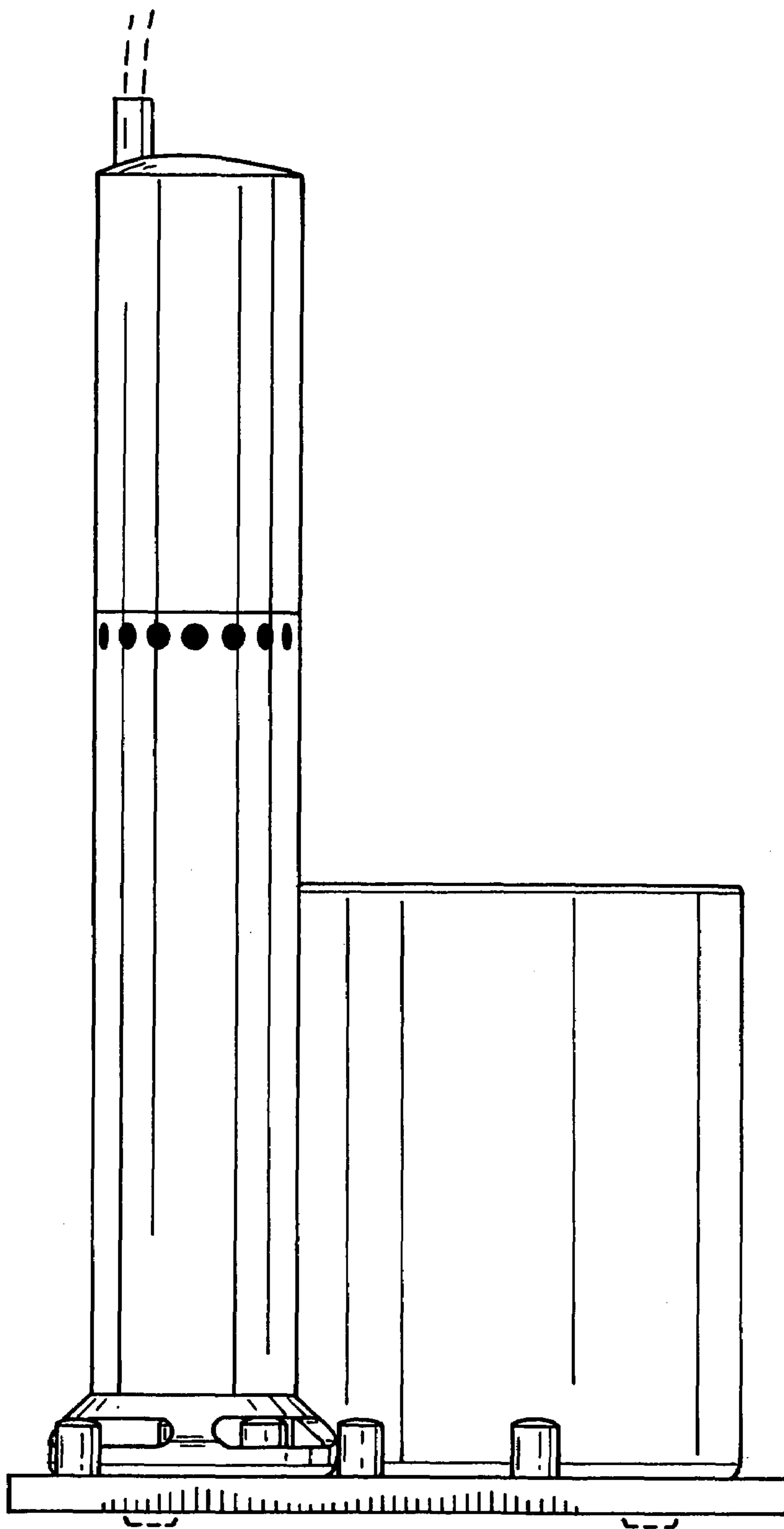


FIG. 3

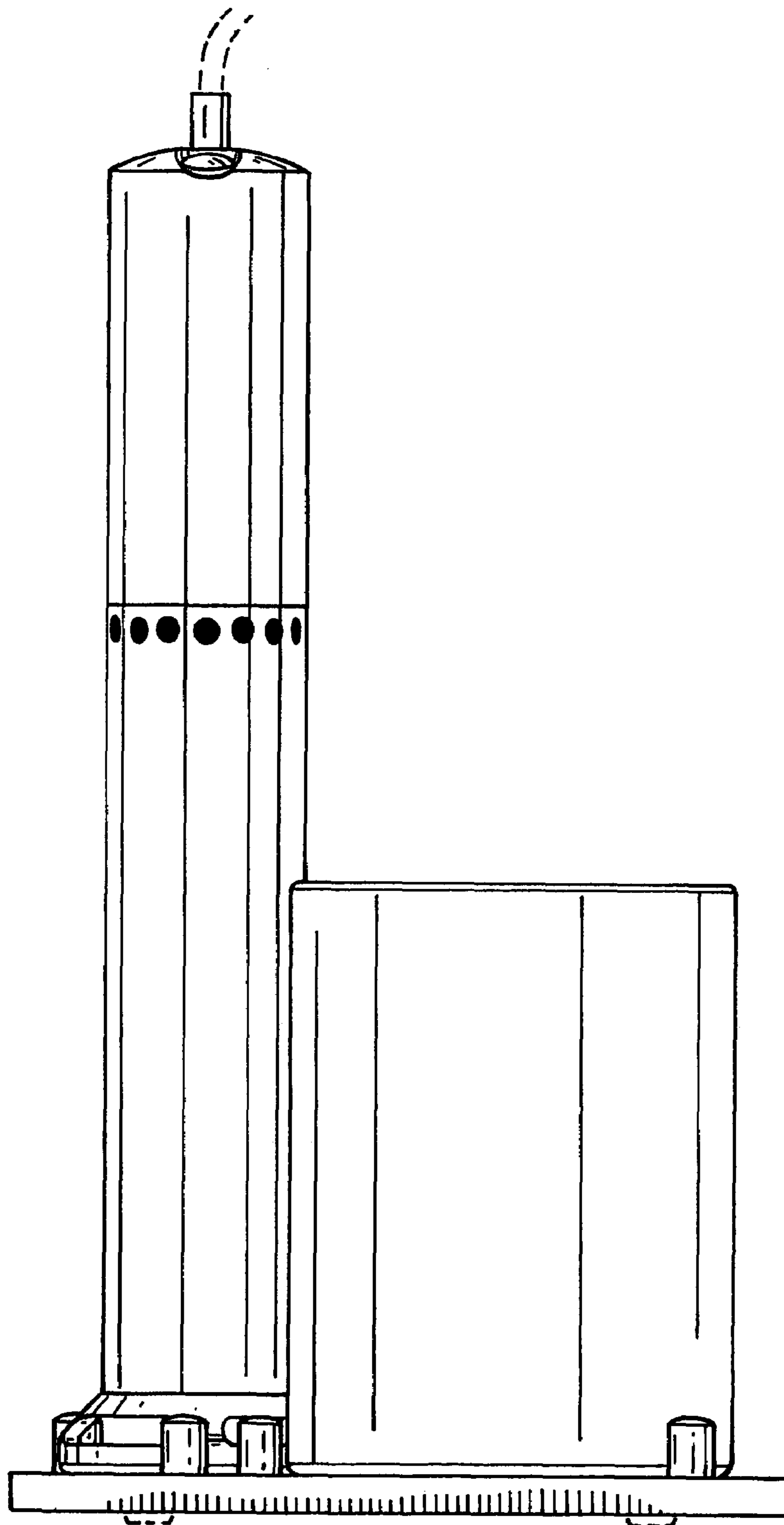


FIG. 4

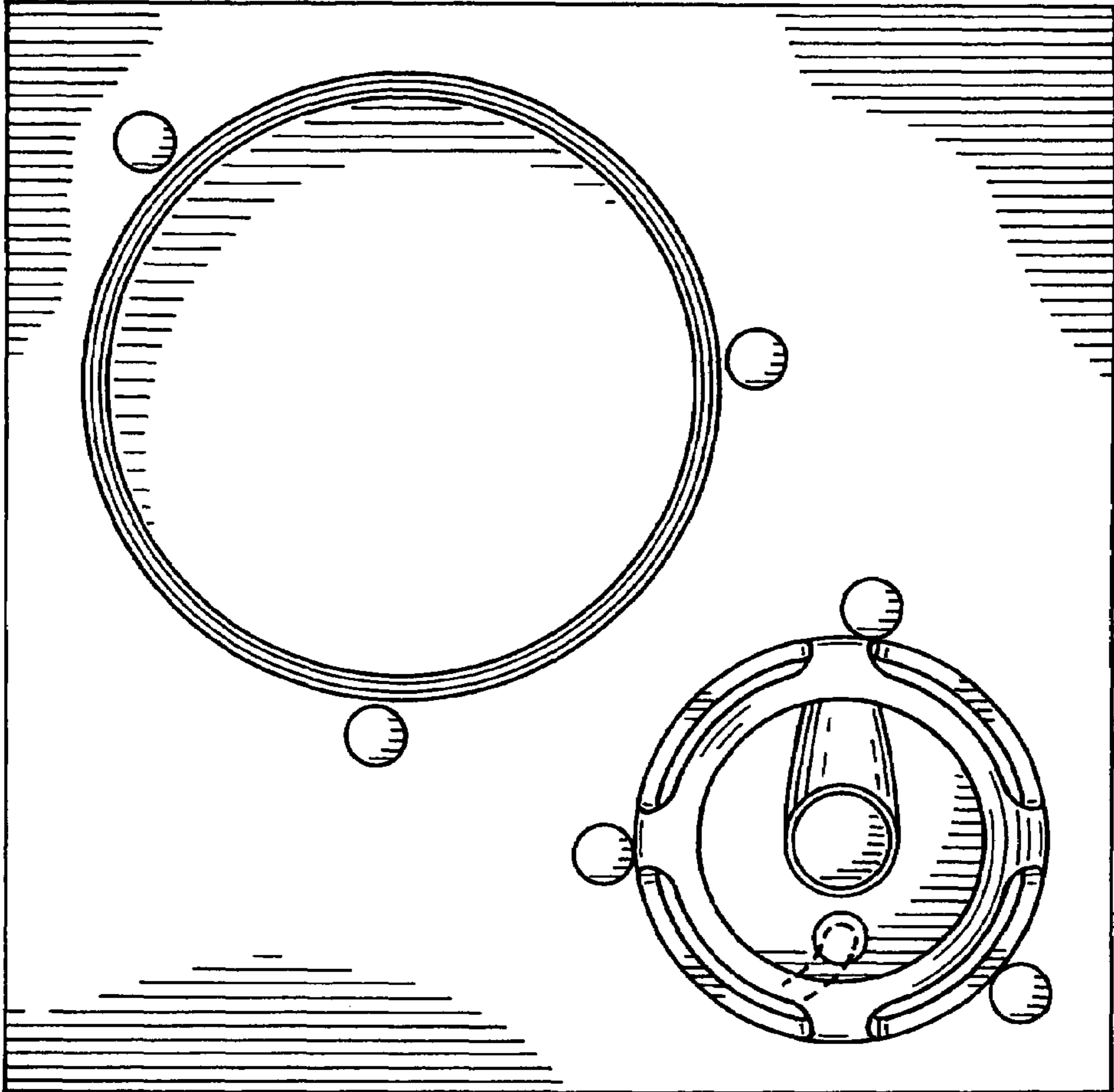


FIG. 5