

US00D577533S

(12) **United States Design Patent**
Robinson

(10) **Patent No.:** **US D577,533 S**
(45) **Date of Patent:** **** Sep. 30, 2008**

(54) **TOASTER**

(75) Inventor: **Nicholas Robinson**, Botany (AU)

(73) Assignee: **Breville Pty Limited**, Botany, New South Wales (AU)

(**) Term: **14 Years**

(21) Appl. No.: **29/299,123**

(22) Filed: **Dec. 19, 2007**

(30) **Foreign Application Priority Data**

Jul. 5, 2007 (AU) 18723/2007

(51) **LOC (8) Cl.** **07-02**

(52) **U.S. Cl.** **D7/330**

(58) **Field of Classification Search** D7/323,
D7/328-333, 340-341, 346, 354-365, 367,
D7/385, 390, 402, 405-411; D13/158, 162,
D13/162.1, 163; 99/331-332, 357, 375,
99/385; 219/214, 388, 405, 443.1, 450.1,
219/492, 532

See application file for complete search history.

(56) **References Cited**

U.S. PATENT DOCUMENTS

D107,552 S * 12/1937 Scharfenberg D7/330
D401,472 S * 11/1998 Gould D7/330
D413,040 S * 8/1999 Lawrence et al. D7/350.4

6,080,963 A * 6/2000 Cardillo et al. 219/388
D474,640 S * 5/2003 Holderfield et al. D7/330
D488,664 S * 4/2004 Seum et al. D7/330
D495,195 S * 8/2004 Enriquez et al. D7/330
7,047,871 B1 * 5/2006 Christoffel 99/327

* cited by examiner

Primary Examiner—Caron D. Veynar

Assistant Examiner—Ricky Pham

(74) *Attorney, Agent, or Firm*—Molins & Co.

(57) **CLAIM**

The ornamental design for a toaster, as shown and described.

DESCRIPTION

FIG. 1 is a front perspective view of a toaster showing my new design;

FIG. 2 is a back perspective view thereof;

FIG. 3 is a front elevation view thereof;

FIG. 4 is a back elevation view thereof;

FIG. 5 is a left elevation view thereof;

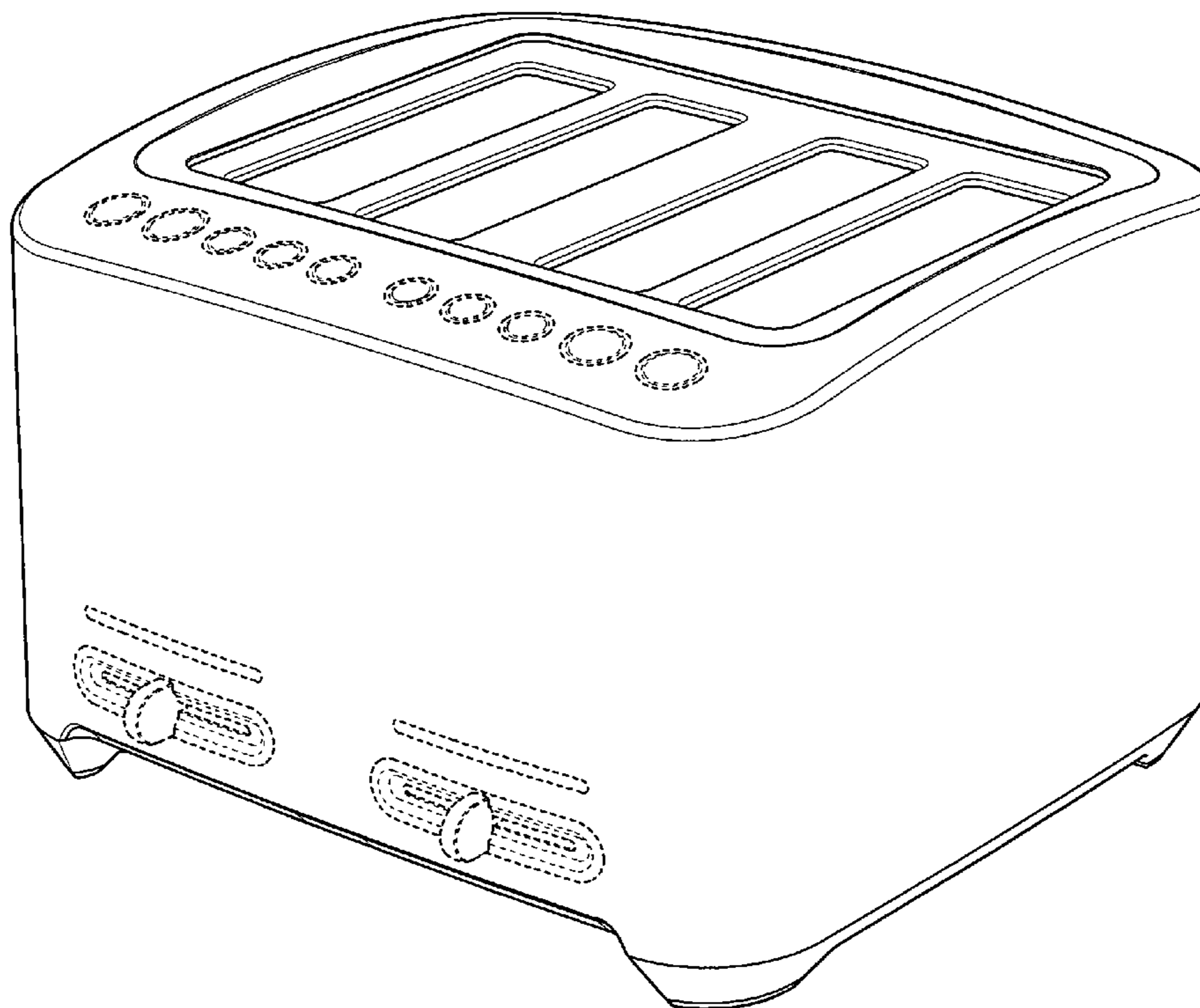
FIG. 6 is a right elevation view thereof;

FIG. 7 is a top plan view thereof; and,

FIG. 8 is a bottom plan view thereof.

The broken lines in the drawings are for illustrative purposes only and form no part of the claimed design.

1 Claim, 7 Drawing Sheets



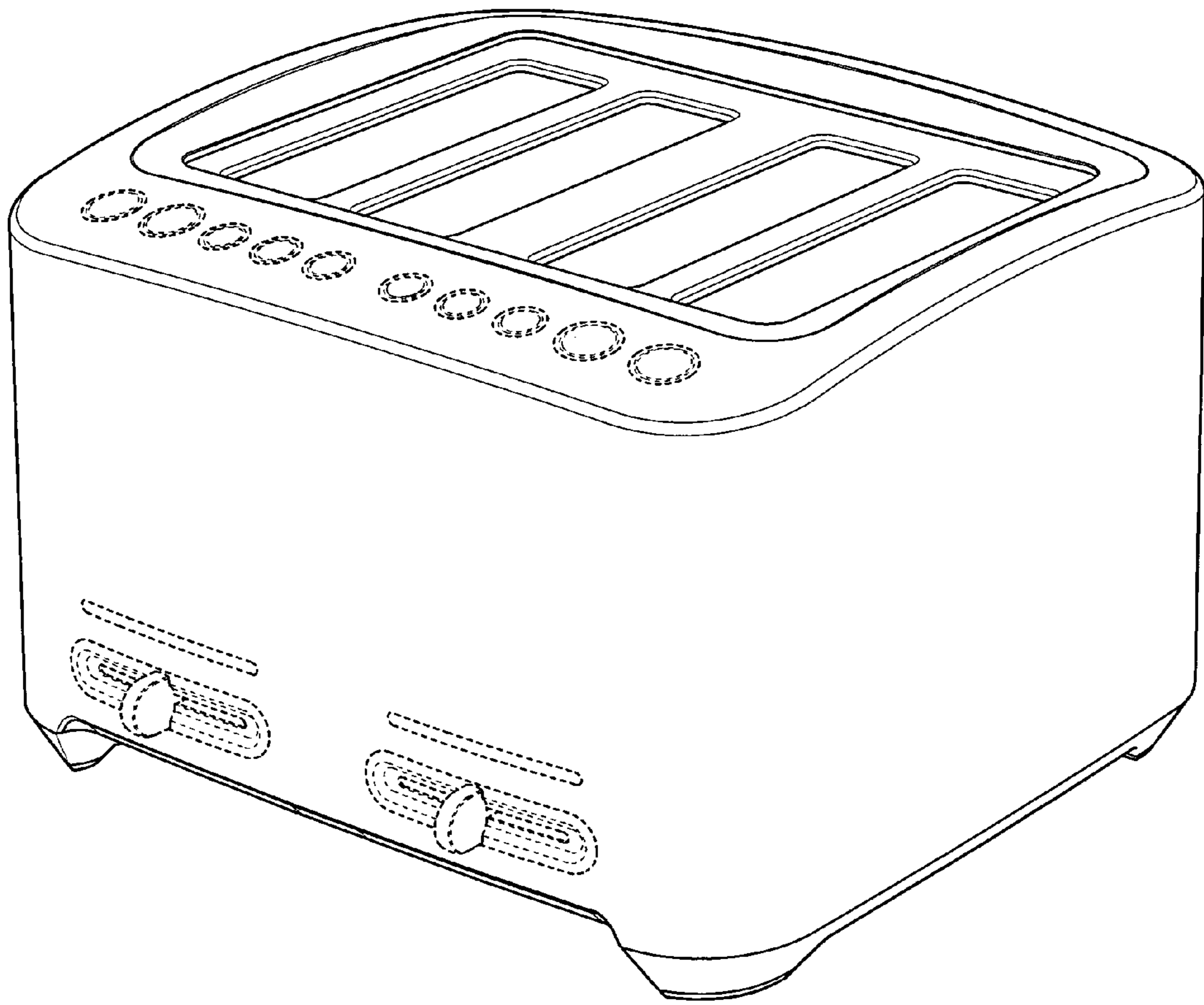


Figure 1

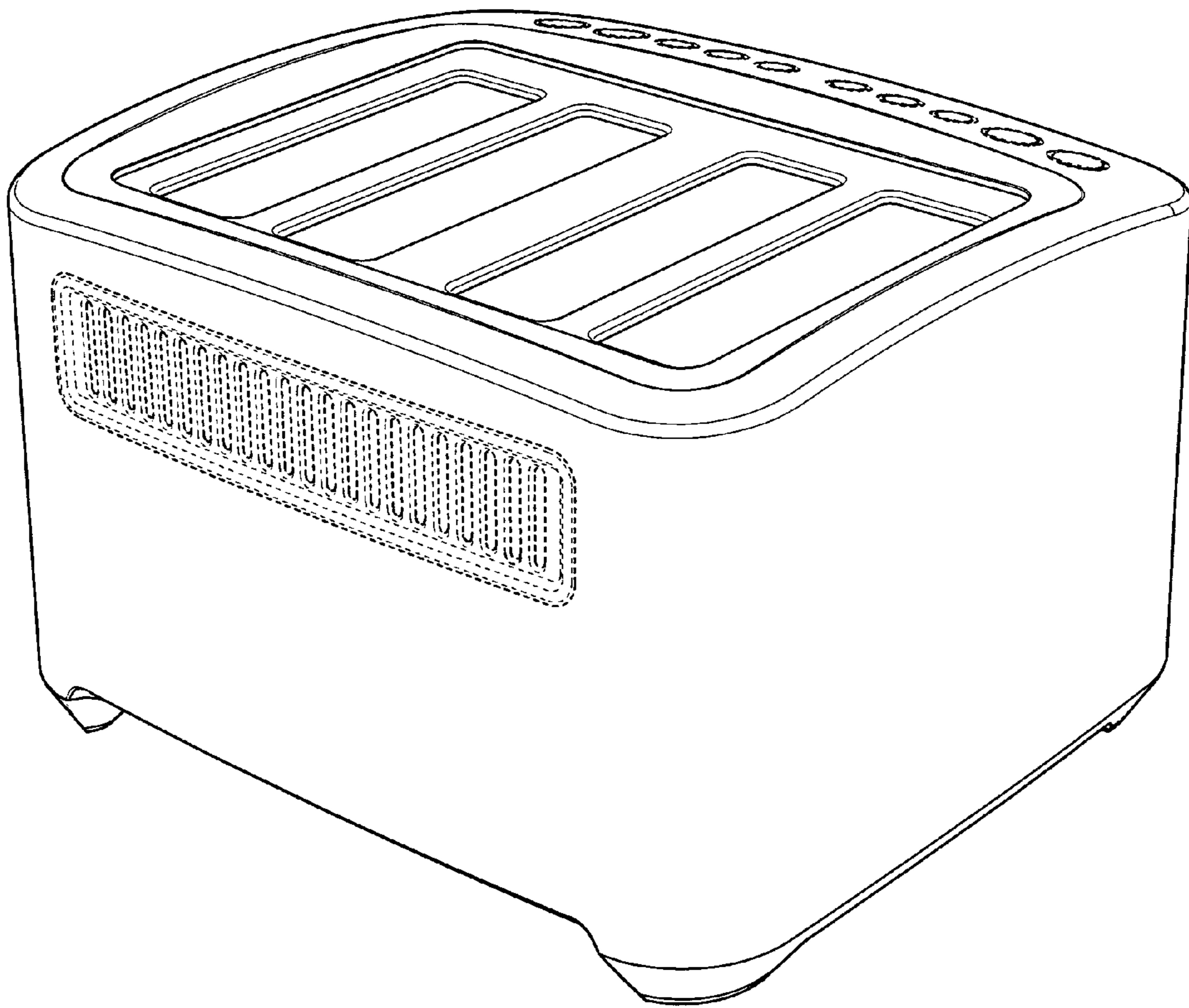


Figure 2

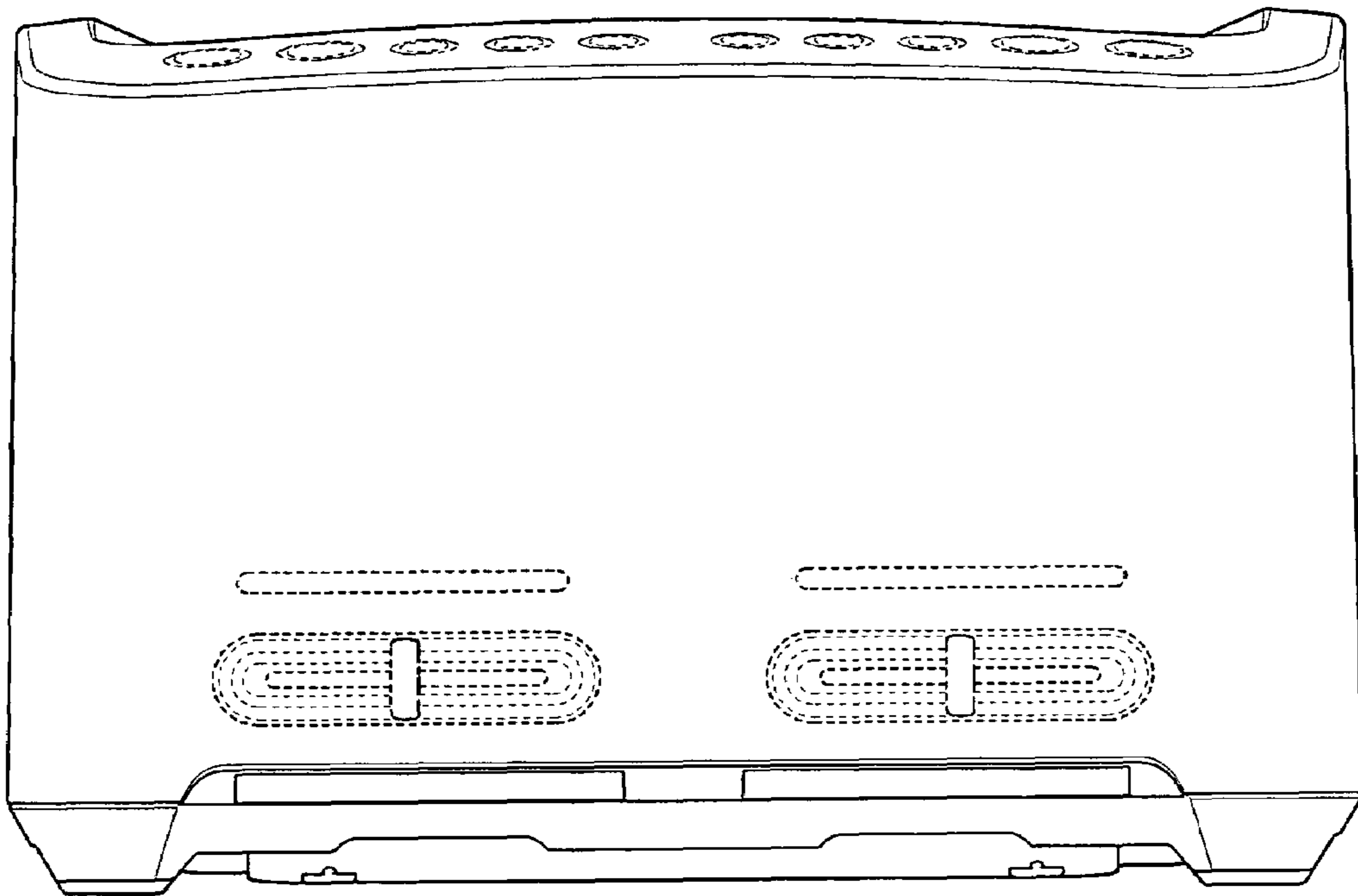


Figure 3

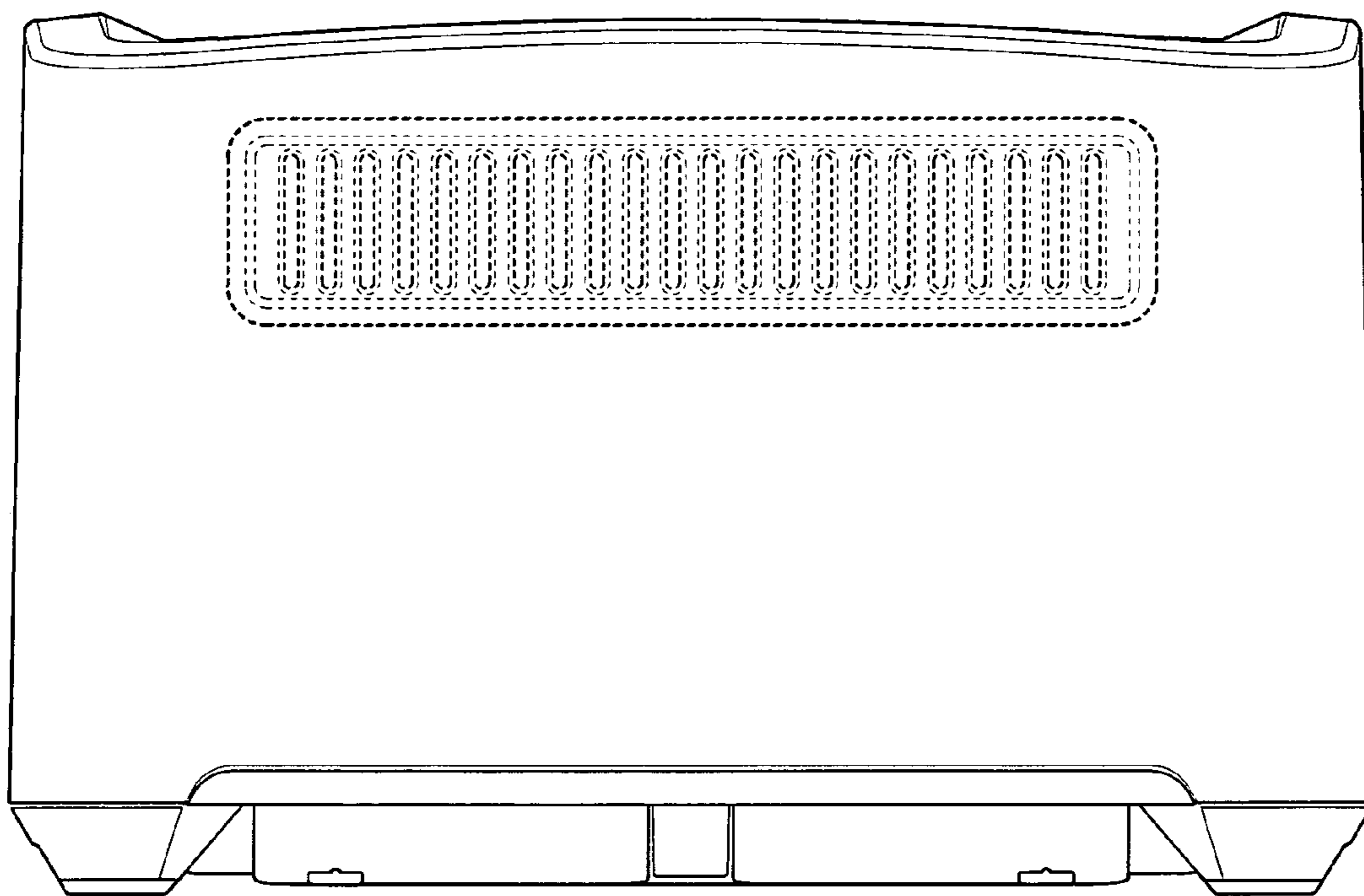


Figure 4

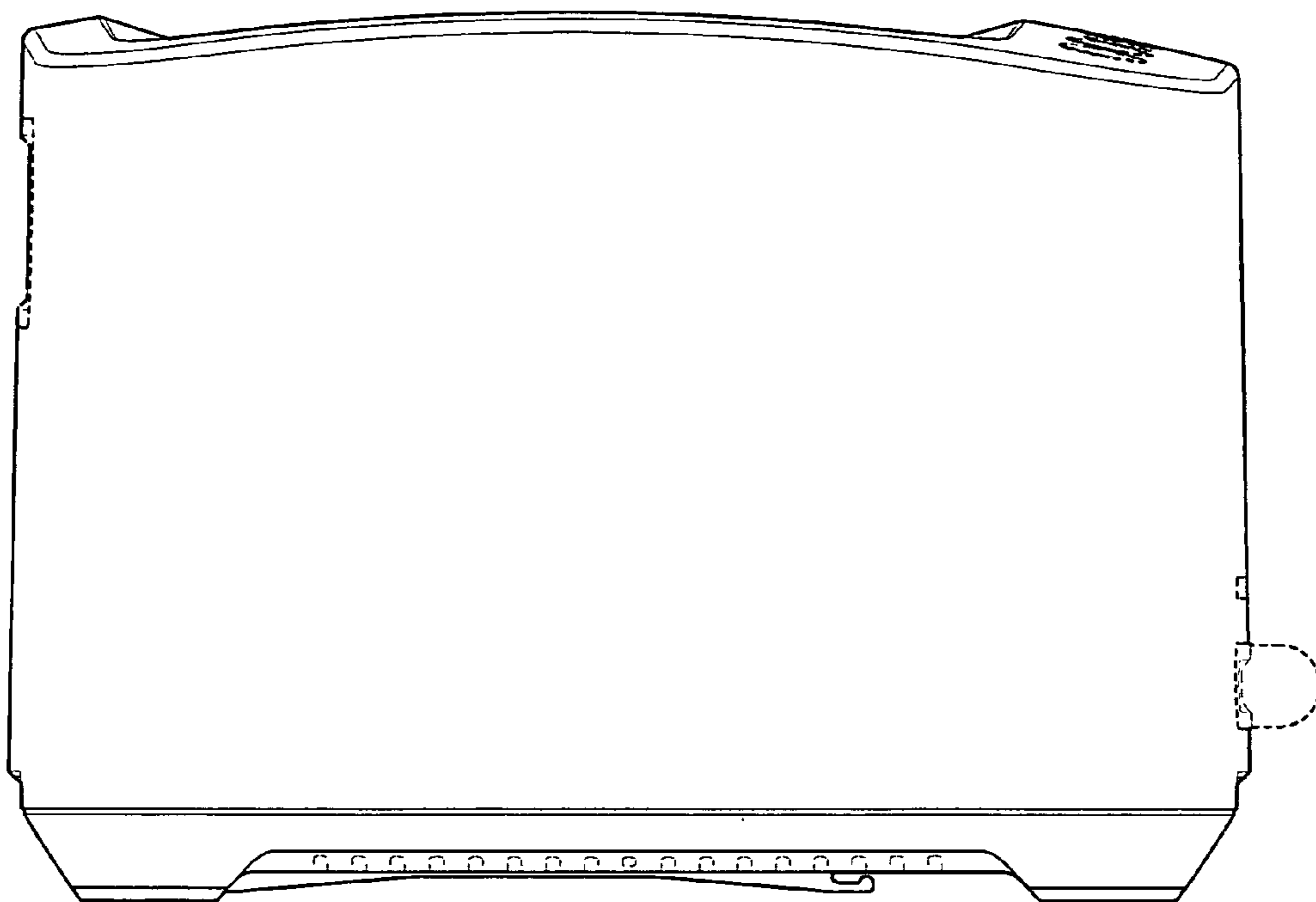


Figure 5

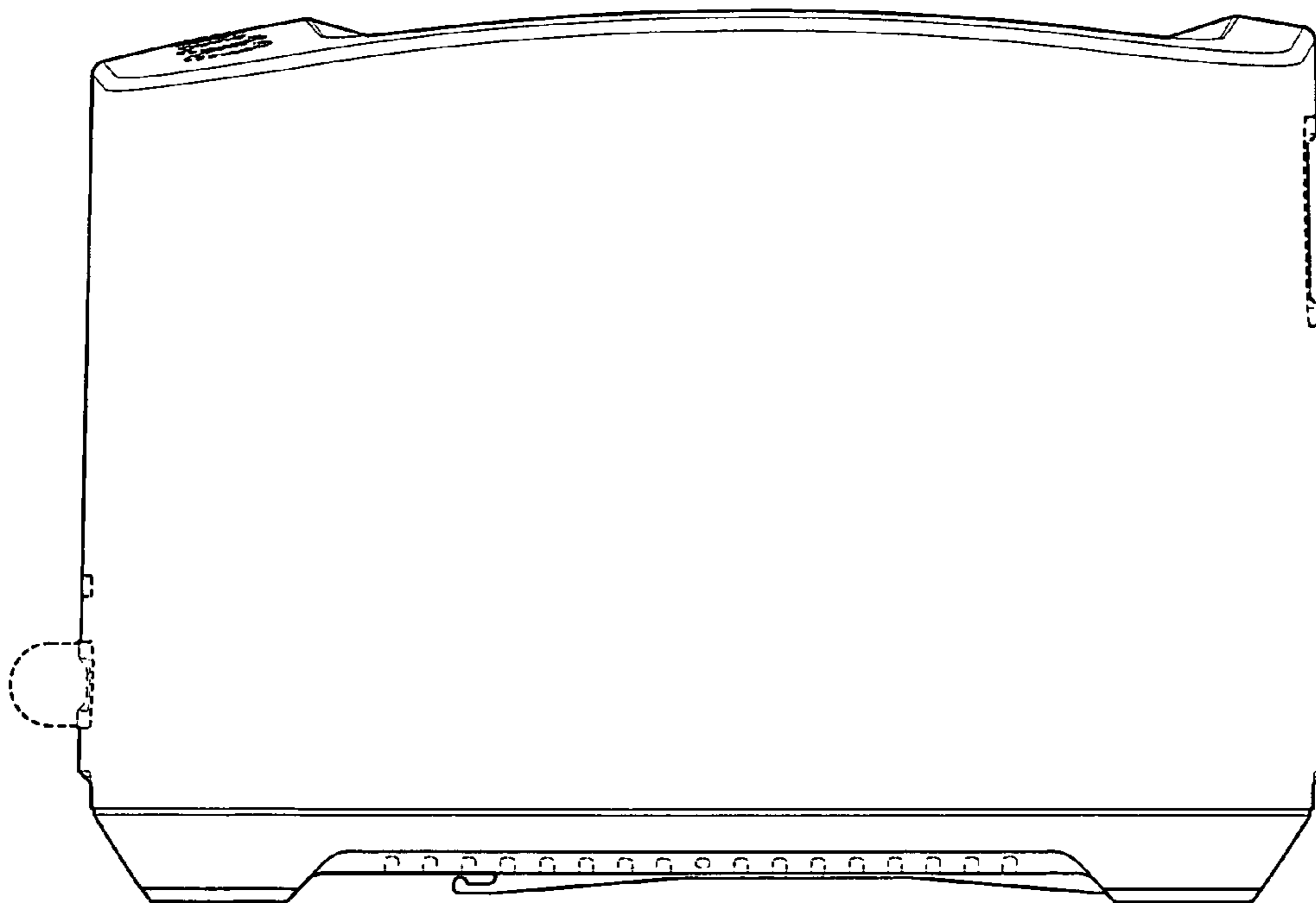


Figure 6

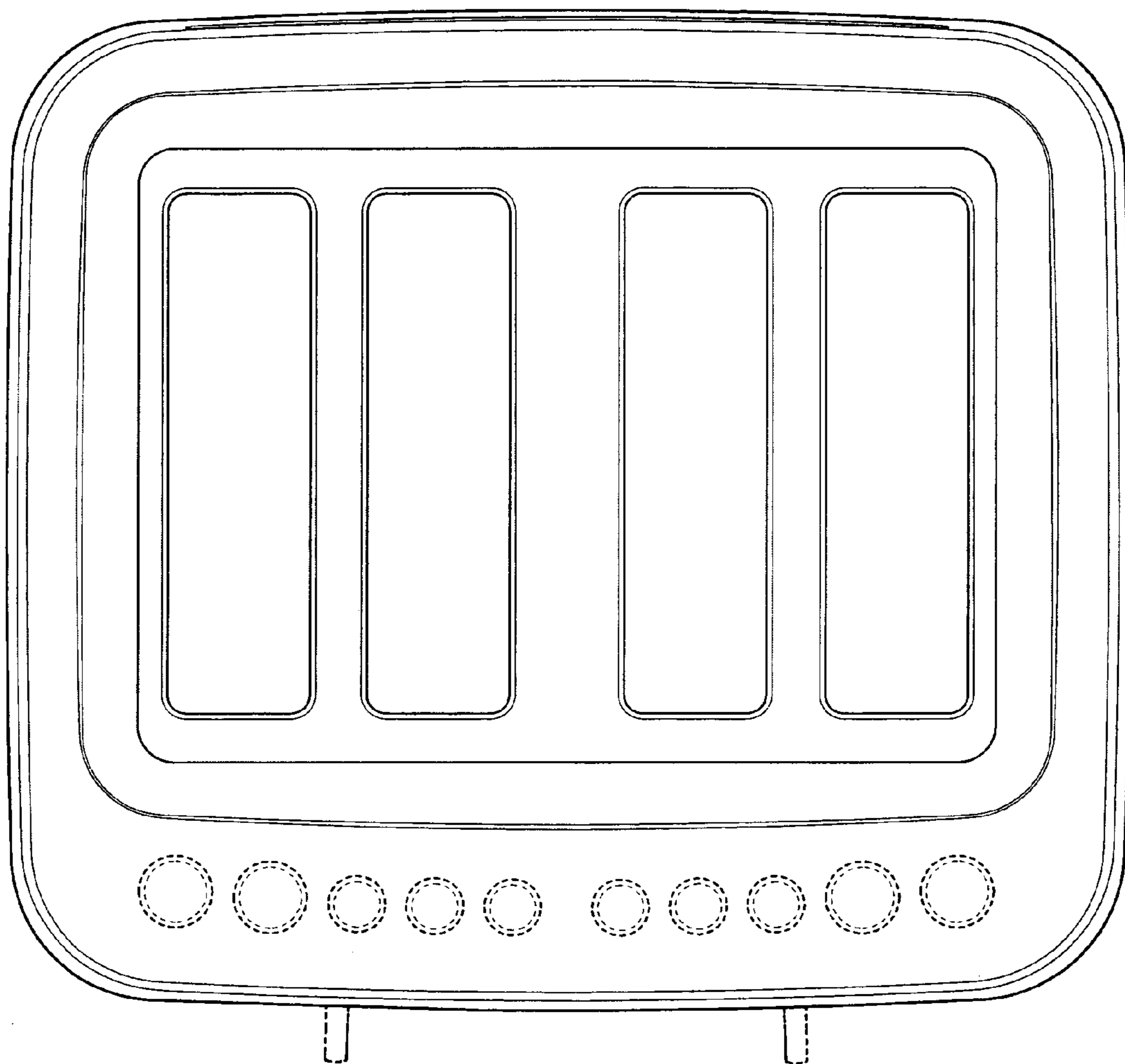


Figure 7

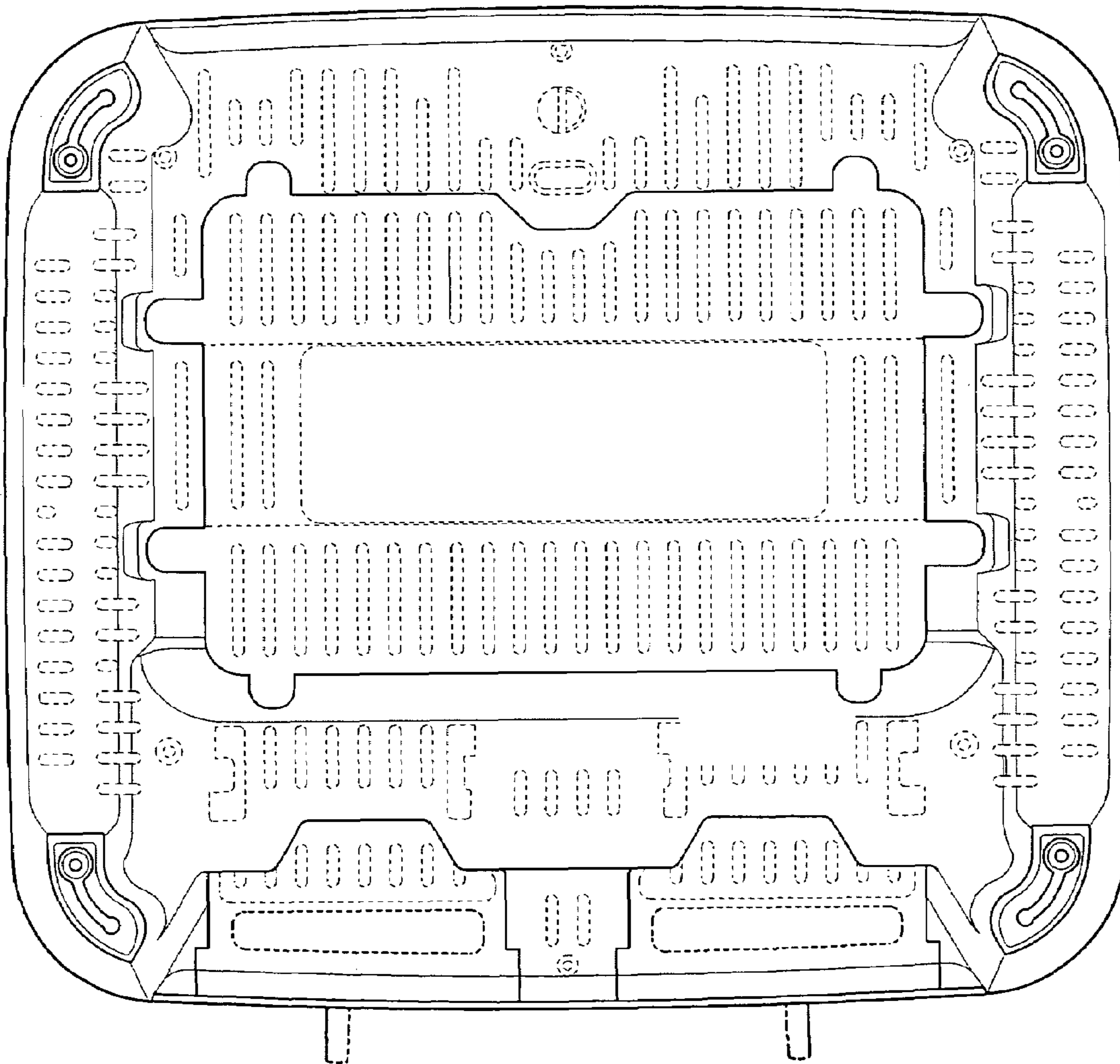


Figure 8