



US00D577528S

(12) **United States Design Patent**
Hoernig et al.

(10) **Patent No.:** **US D577,528 S**

(45) **Date of Patent:** **** Sep. 30, 2008**

(54) **TOWEL RING**

(75) Inventors: **Victor Hoernig**, Lowell, IN (US);
Geraint Krumpe, Chicago, IL (US);
Terry Starbuck, Pilot Mountain, NC
(US)

(73) Assignee: **Liberty Hardware Mfg. Corp.**,
Winston-Salem, NC (US)

(**) Term: **14 Years**

(21) Appl. No.: **29/303,824**

(22) Filed: **Feb. 19, 2008**

(51) **LOC (8) Cl.** **06-04**

(52) **U.S. Cl.** **D6/546**

(58) **Field of Classification Search** D6/546-550,
D6/518-523; D8/300, 303, 315, 321, 349,
D8/354, 363, 373, 380; 108/28-29; 248/175,
248/176.1, 251, 302, 309.1; 16/110.1, 412,
16/415; 242/570, 590, 595-598; 211/13.1,
211/16, 60.1, 100, 86.01, 87.01, 88.01, 88.04,
211/105.1, 105.2, 123, 182, 181.1
See application file for complete search history.

(56) **References Cited**

U.S. PATENT DOCUMENTS

D417,112 S * 11/1999 Chen D6/546

D442,000 S * 5/2001 Milrud et al. D6/546
D477,736 S * 7/2003 Hoernig D6/546
D521,290 S * 5/2006 Berberet D6/546
D523,273 S * 6/2006 Ferrer Beltran D6/546
D533,383 S * 12/2006 Berberet et al. D6/546

* cited by examiner

Primary Examiner—Brian N Vinson

(74) *Attorney, Agent, or Firm*—Edgar A. Zarins; Lloyd D. Doigan

(57) **CLAIM**

The ornamental design for a towel ring, as shown and described.

DESCRIPTION

FIG. 1 is a perspective view of a towel ring showing our new design;

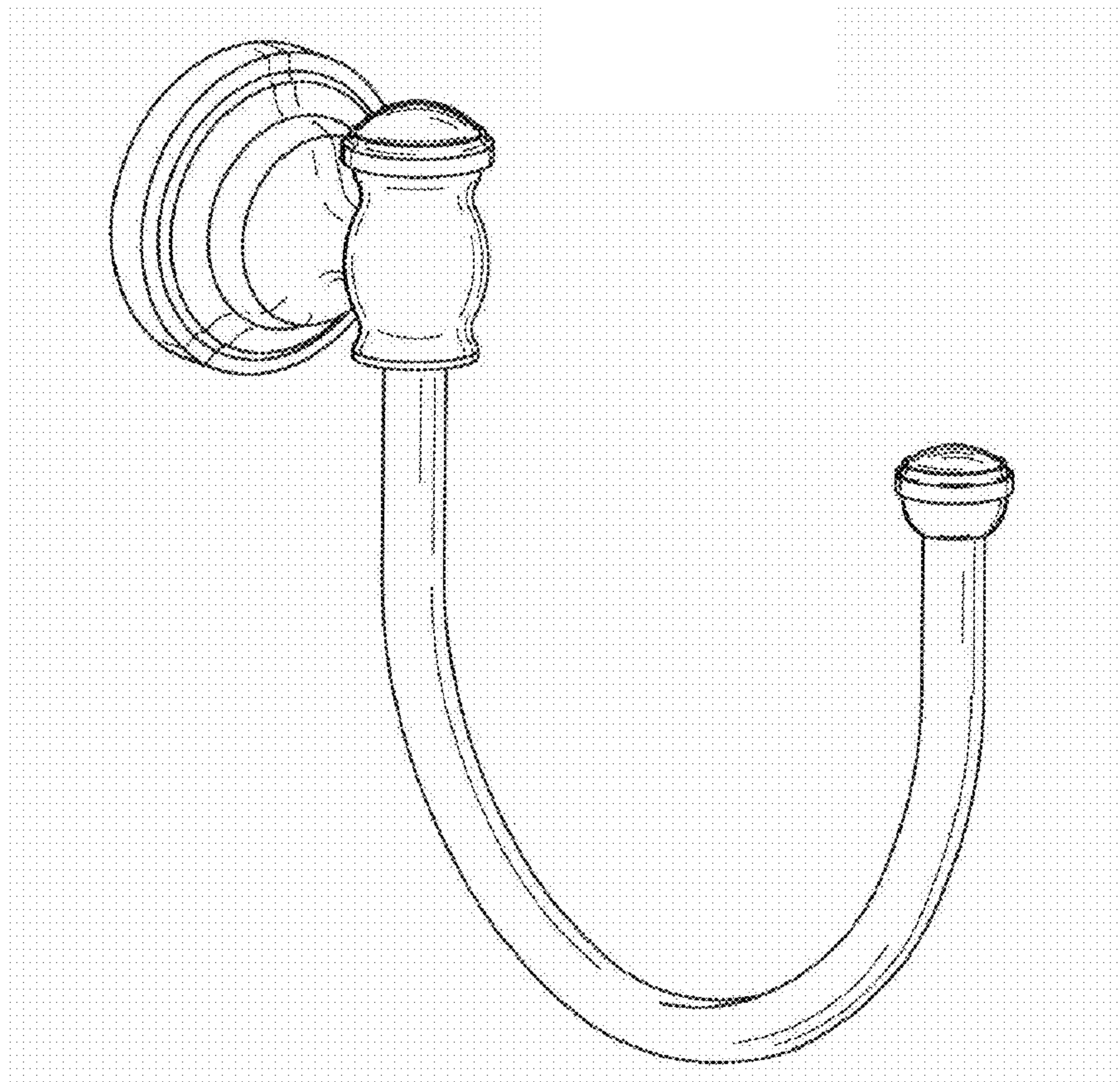
FIG. 2 is a top plan view thereof;

FIG. 3 is a bottom plan view thereof;

FIG. 4 is a front elevational view thereof; and,

FIG. 5 is a right side view thereof, the opposite side being a mirror image of the side shown.

1 Claim, 1 Drawing Sheet



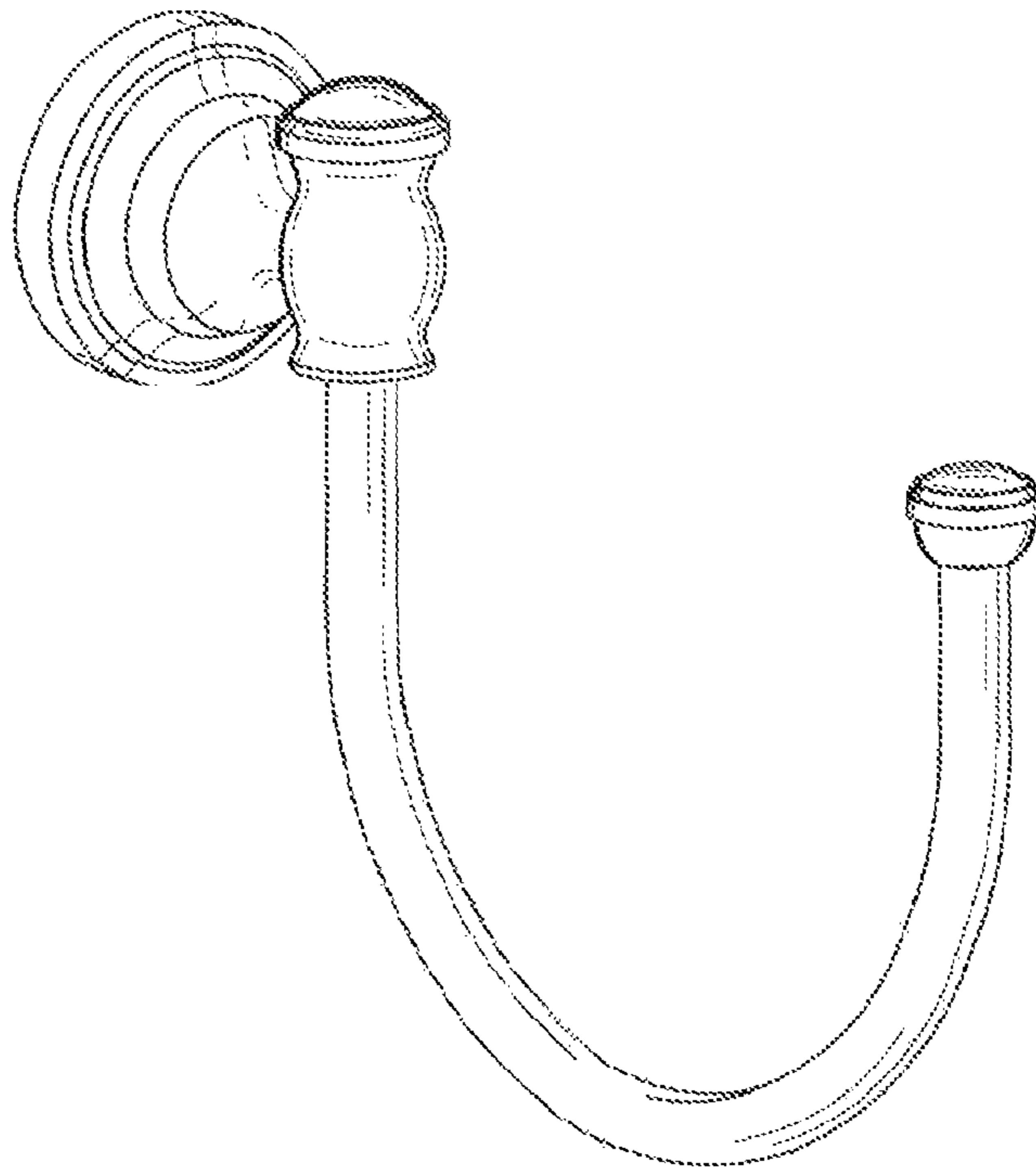


Fig-1

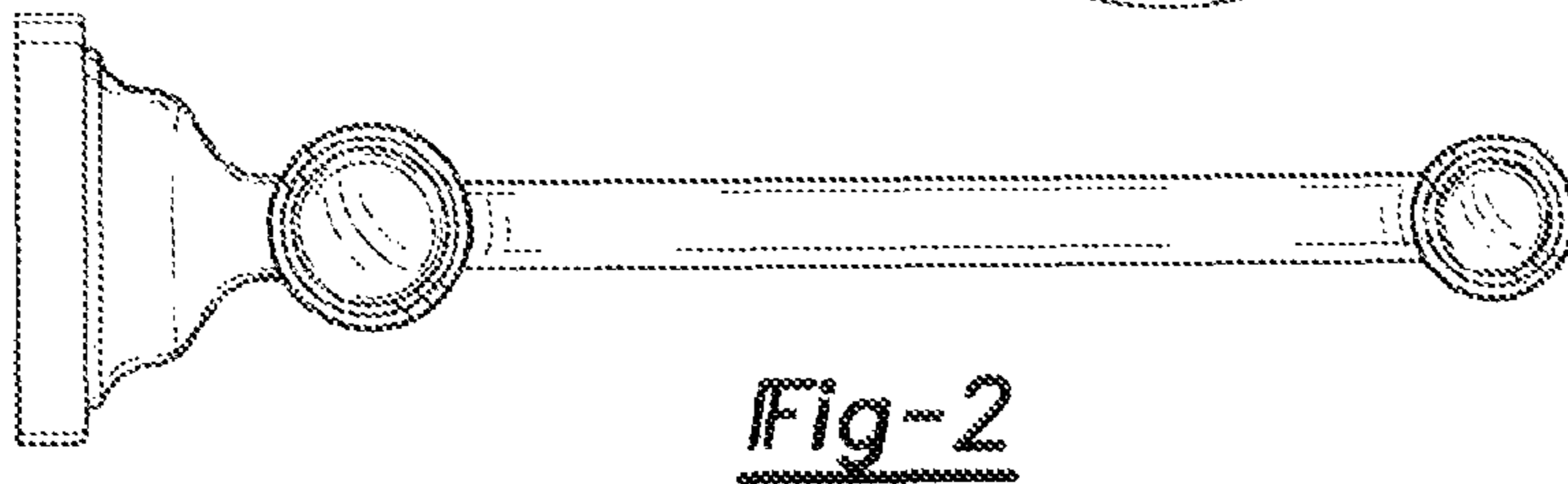


Fig-2

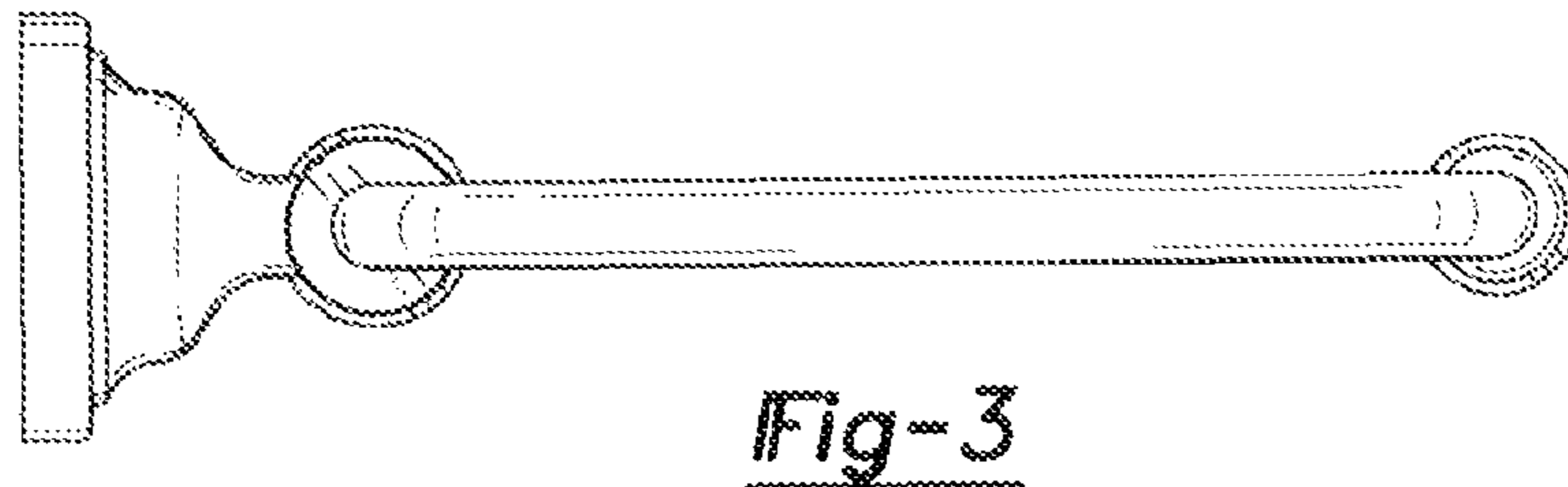


Fig-3

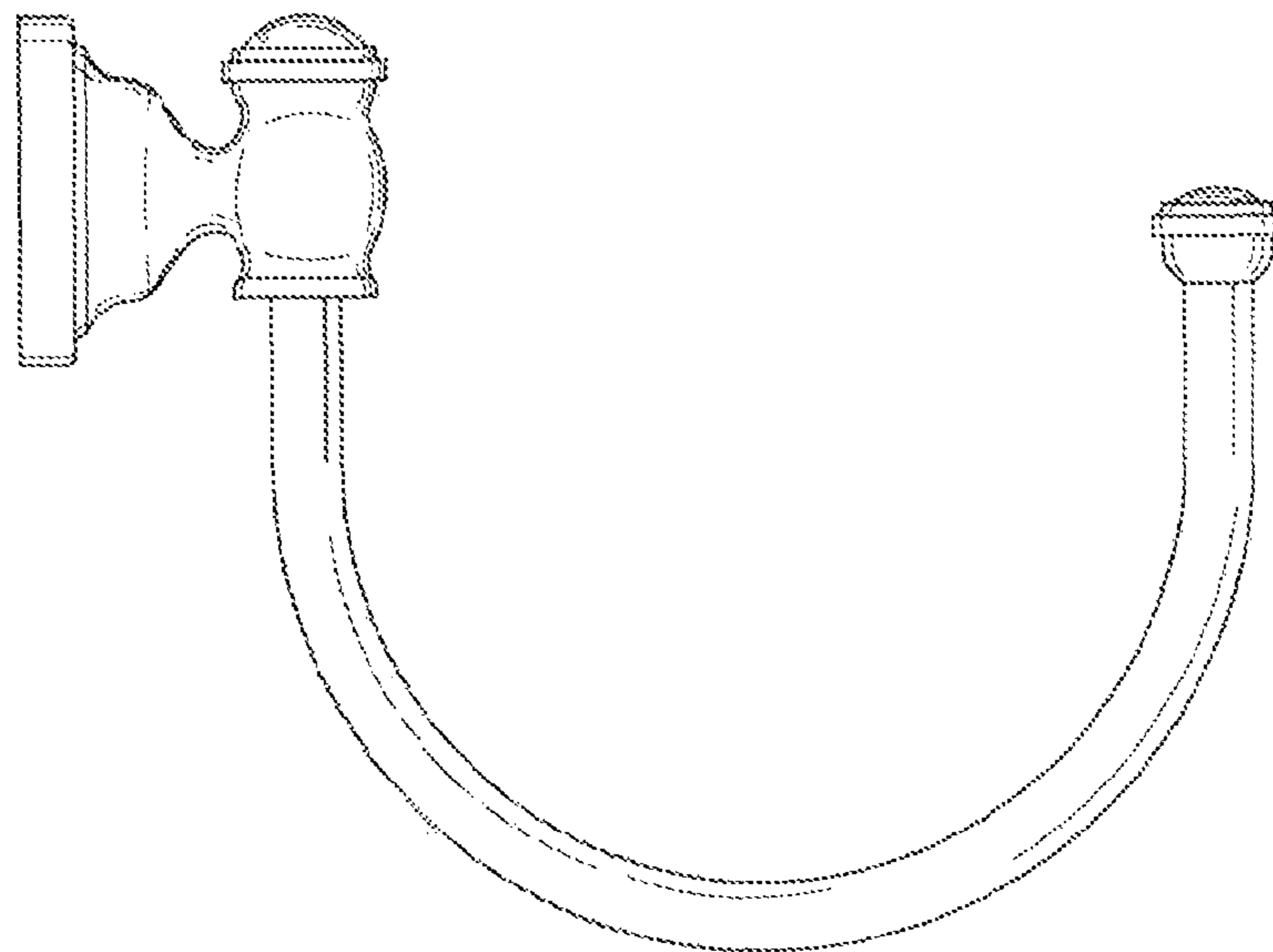


Fig-5

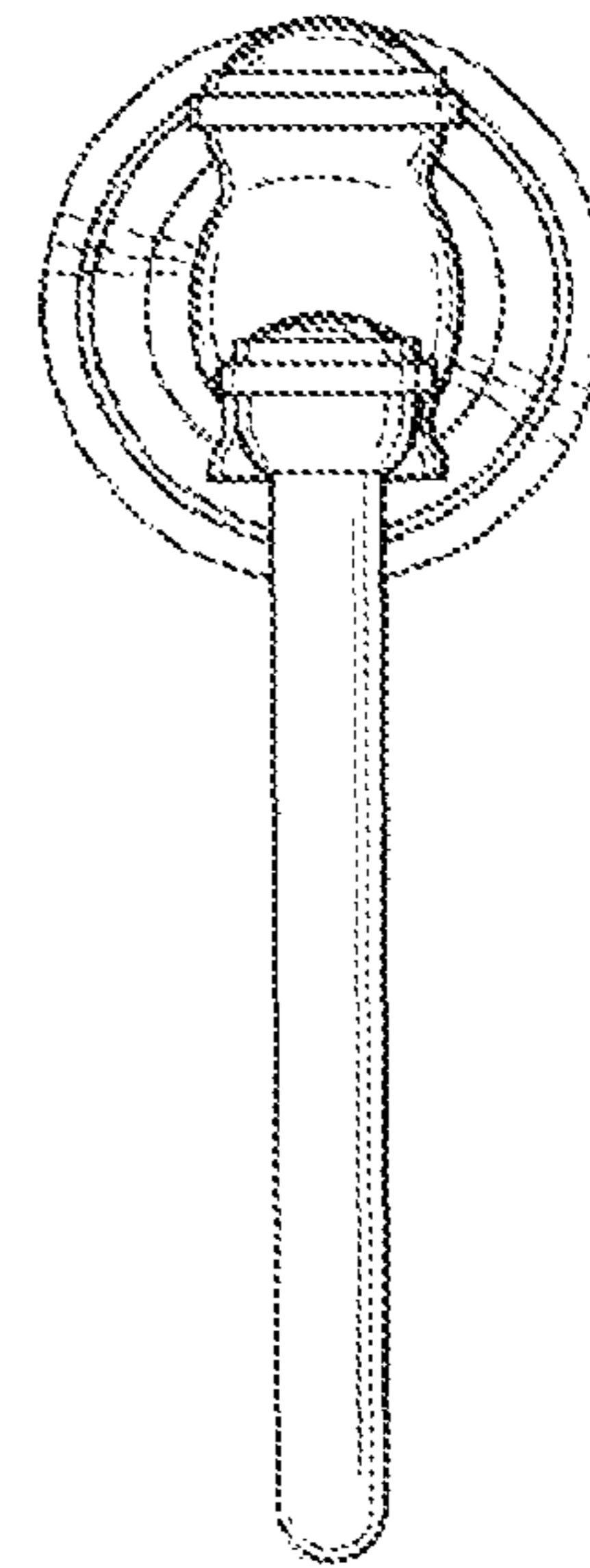


Fig-4