



US00D577527S

(12) **United States Design Patent**  
**Yu**

(10) **Patent No.:** **US D577,527 S**

(45) **Date of Patent:** **\*\* Sep. 30, 2008**

(54) **PAPER TOWEL HOLDER**

(75) Inventor: **Kwok Leung Yu, Kwai Chung (HK)**

(73) Assignee: **Ko Fung Products Industrial Limited, Kwai Chung, N.T. (HK)**

(\*\*) Term: **14 Years**

(21) Appl. No.: **29/304,909**

(22) Filed: **Mar. 10, 2008**

(30) **Foreign Application Priority Data**

Oct. 8, 2007 (HK) ..... 0702522

(51) **LOC (8) Cl.** ..... **20-02**

(52) **U.S. Cl.** ..... **D6/521**

(58) **Field of Classification Search** ..... D6/546-550,  
D6/518-519, 522-524; D8/300, 303, 315-321;  
108/28-29; 211/13.1, 16, 60.1, 86.01, 87.01,  
211/88.01, 88.04, 100, 105.1-105.2, 123,  
211/181.1, 182; 248/175, 176.1, 251, 302;  
16/110.1, 412, 415; 242/570, 590, 595-598  
See application file for complete search history.

(56) **References Cited**

**U.S. PATENT DOCUMENTS**

D499,916 S \* 12/2004 Yang et al. .... D6/521  
D521,287 S \* 5/2006 Mellen et al. .... D6/521

D522,293 S \* 6/2006 Yang et al. .... D6/521  
D523,672 S \* 6/2006 Yang et al. .... D6/521  
D528,836 S \* 9/2006 Petersen-Rutten ..... D6/521  
D530,549 S \* 10/2006 Yang et al. .... D6/521  
D545,599 S \* 7/2007 Yu ..... D6/521  
D548,504 S \* 8/2007 Yang et al. .... D6/521

\* cited by examiner

*Primary Examiner*—Brian N Vinson

(74) *Attorney, Agent, or Firm*—Carmody & Torrance LLP

(57) **CLAIM**

The ornamental design for a paper towel holder, as shown and described.

**DESCRIPTION**

FIG. 1 is a perspective view of a paper towel holder showing my new design;

FIG. 2 is a front elevational view thereof;

FIG. 3 is a back elevational view thereof;

FIG. 4 is a right side elevational view thereof;

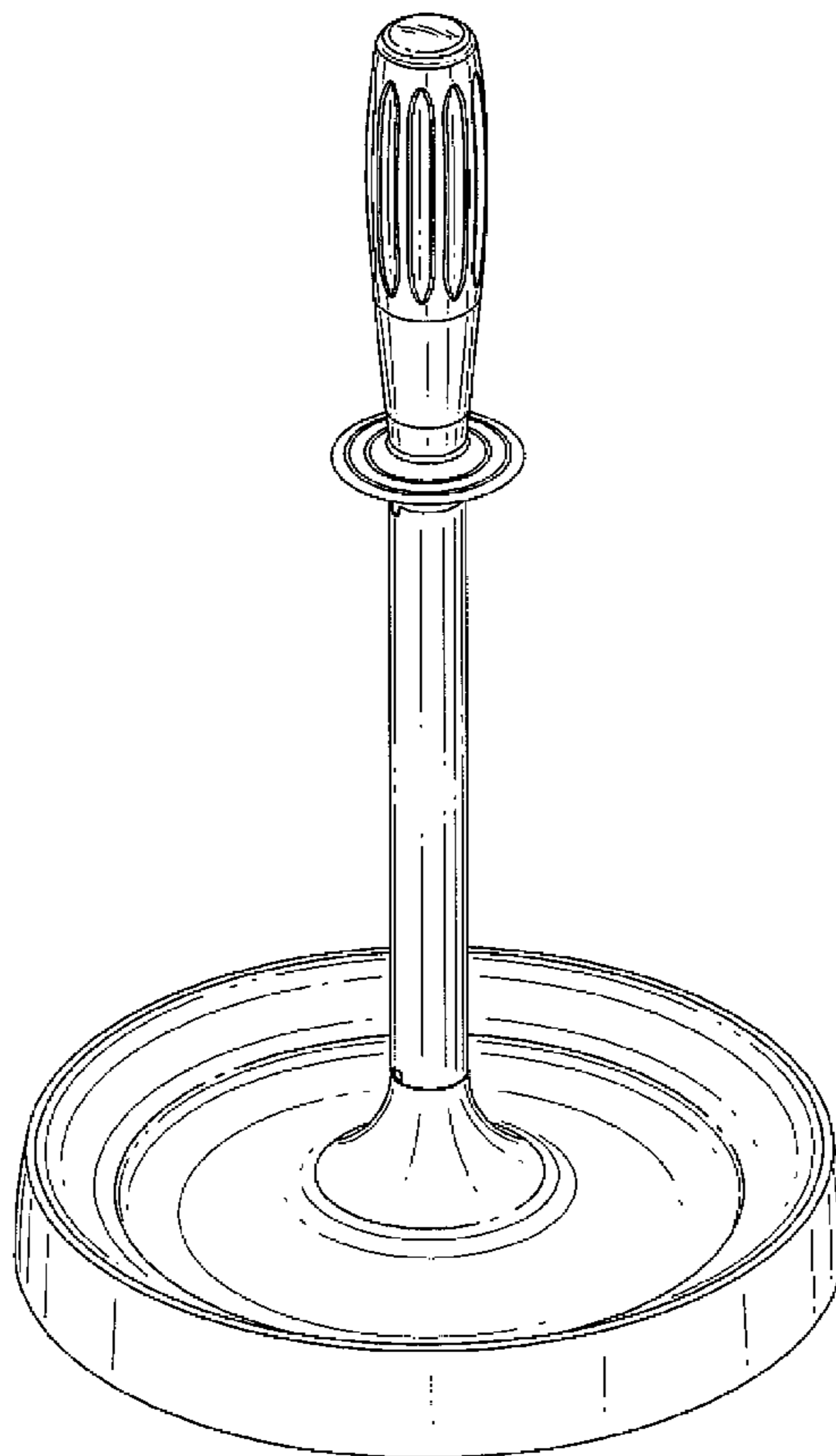
FIG. 5 is a left side elevational view thereof;

FIG. 6 is a top plan view thereof; and,

FIG. 7 is a bottom plan view thereof.

The dotted lines are intended to show features that are environmental only and form no part of the claimed design.

**1 Claim, 7 Drawing Sheets**



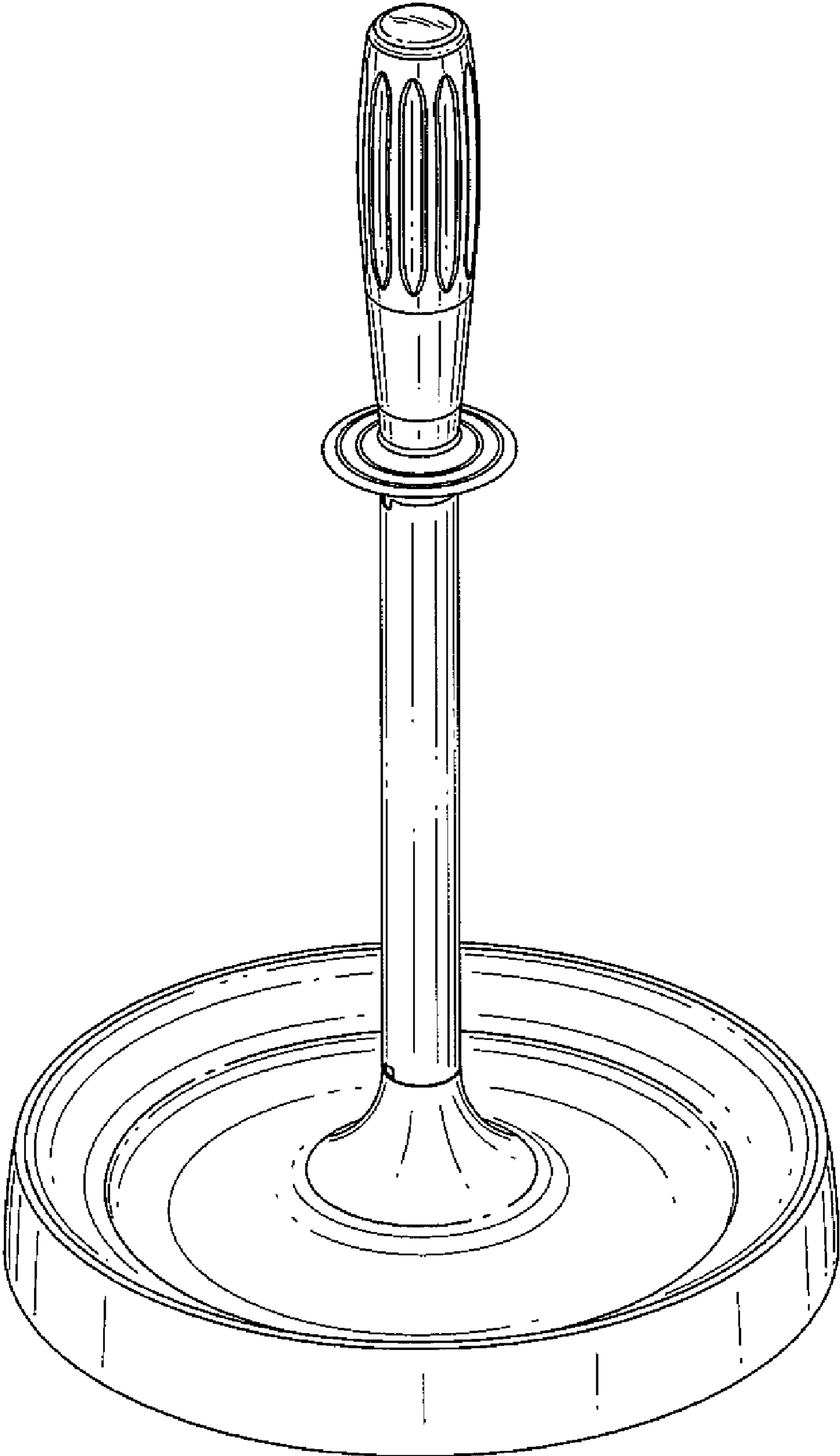


FIG. 1

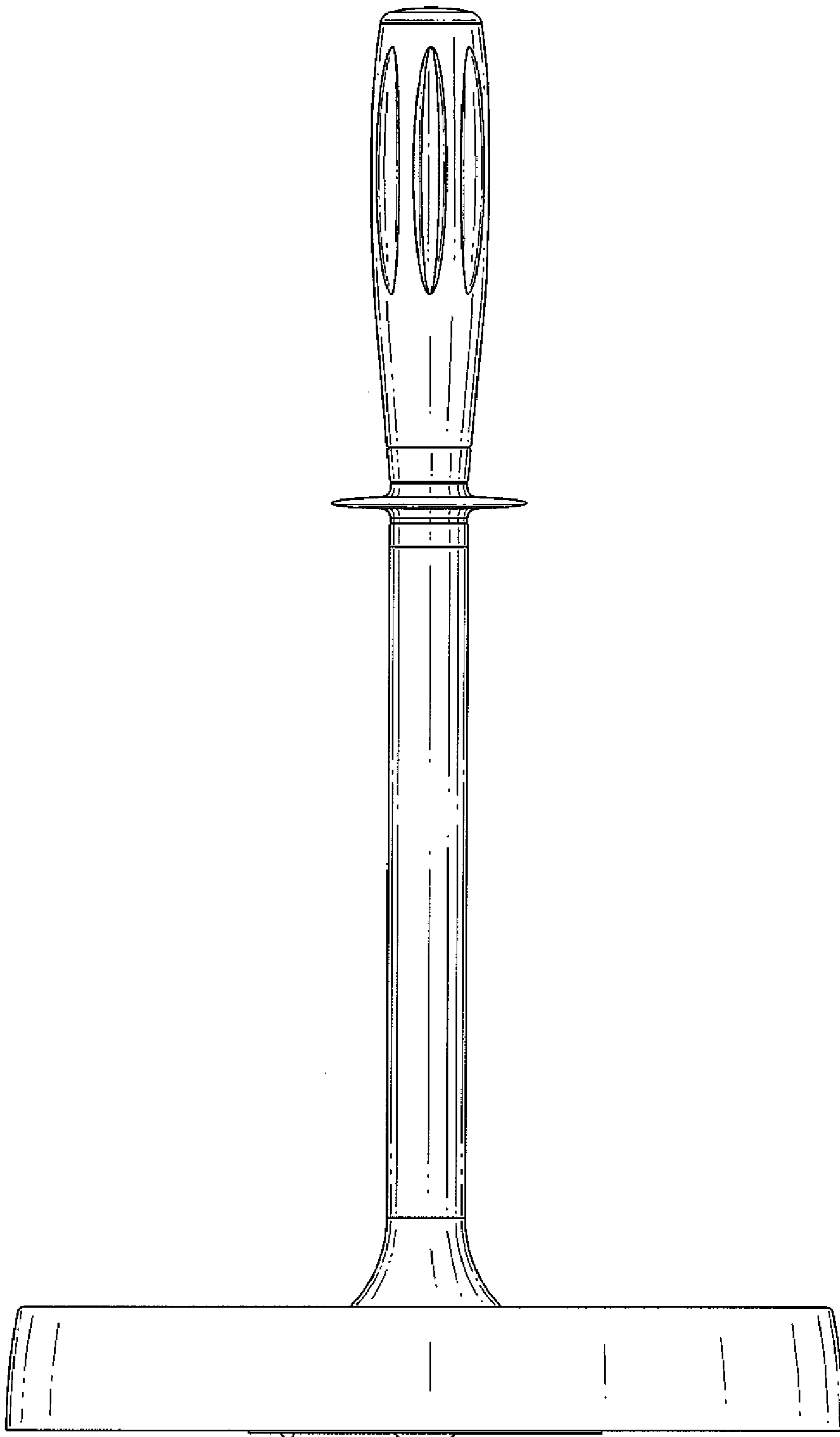


FIG. 2

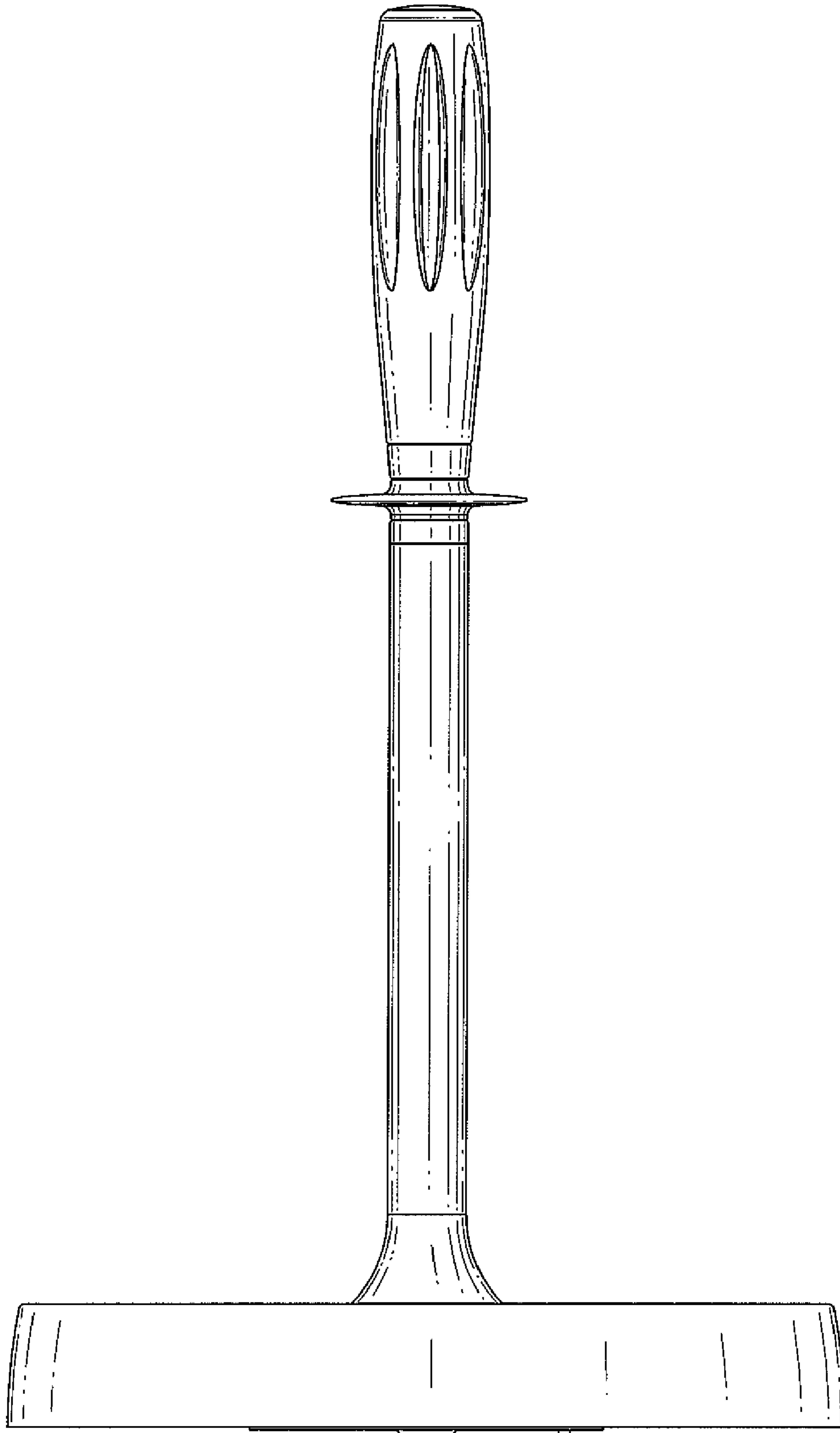


FIG. 3

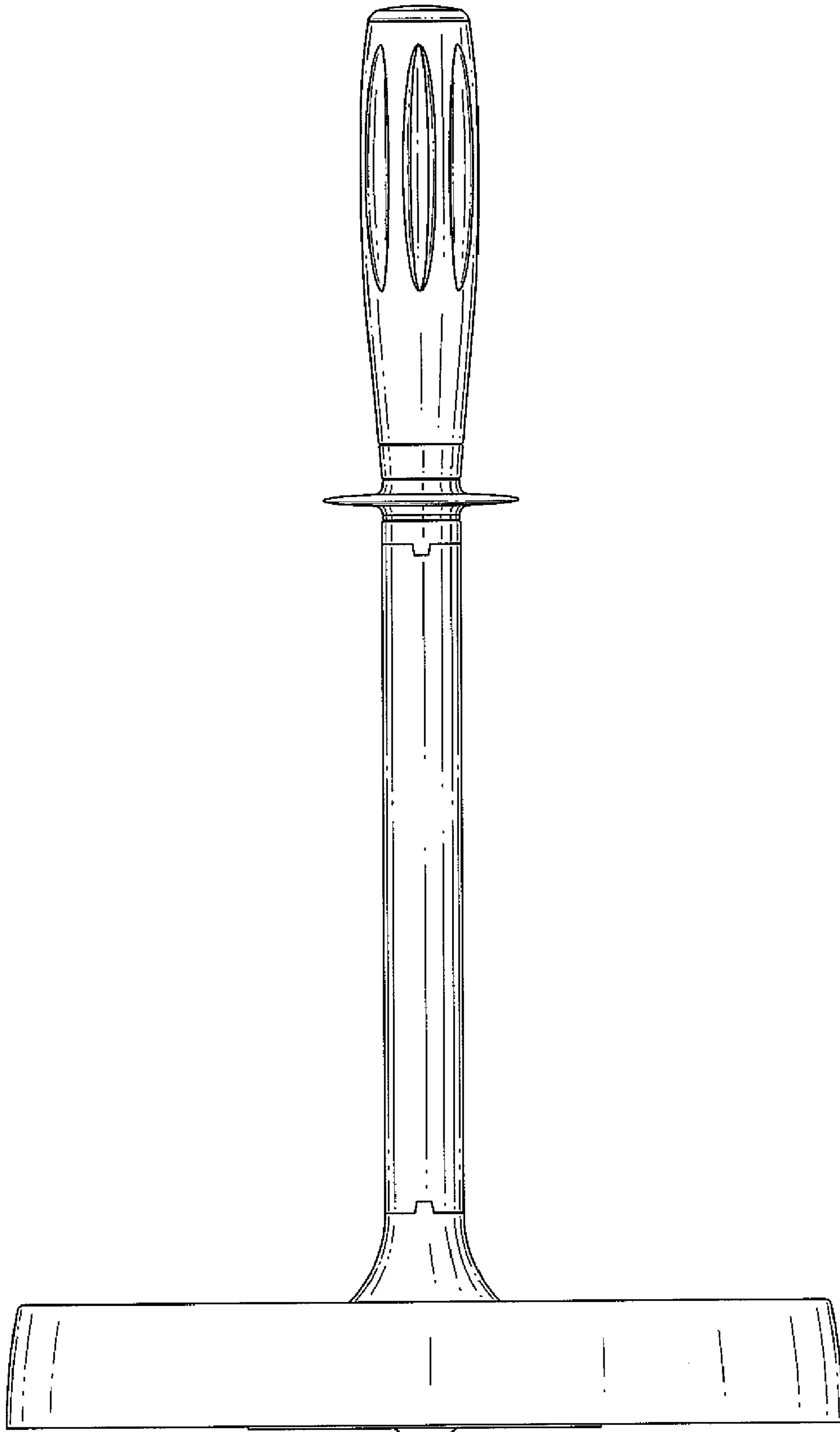


FIG. 4

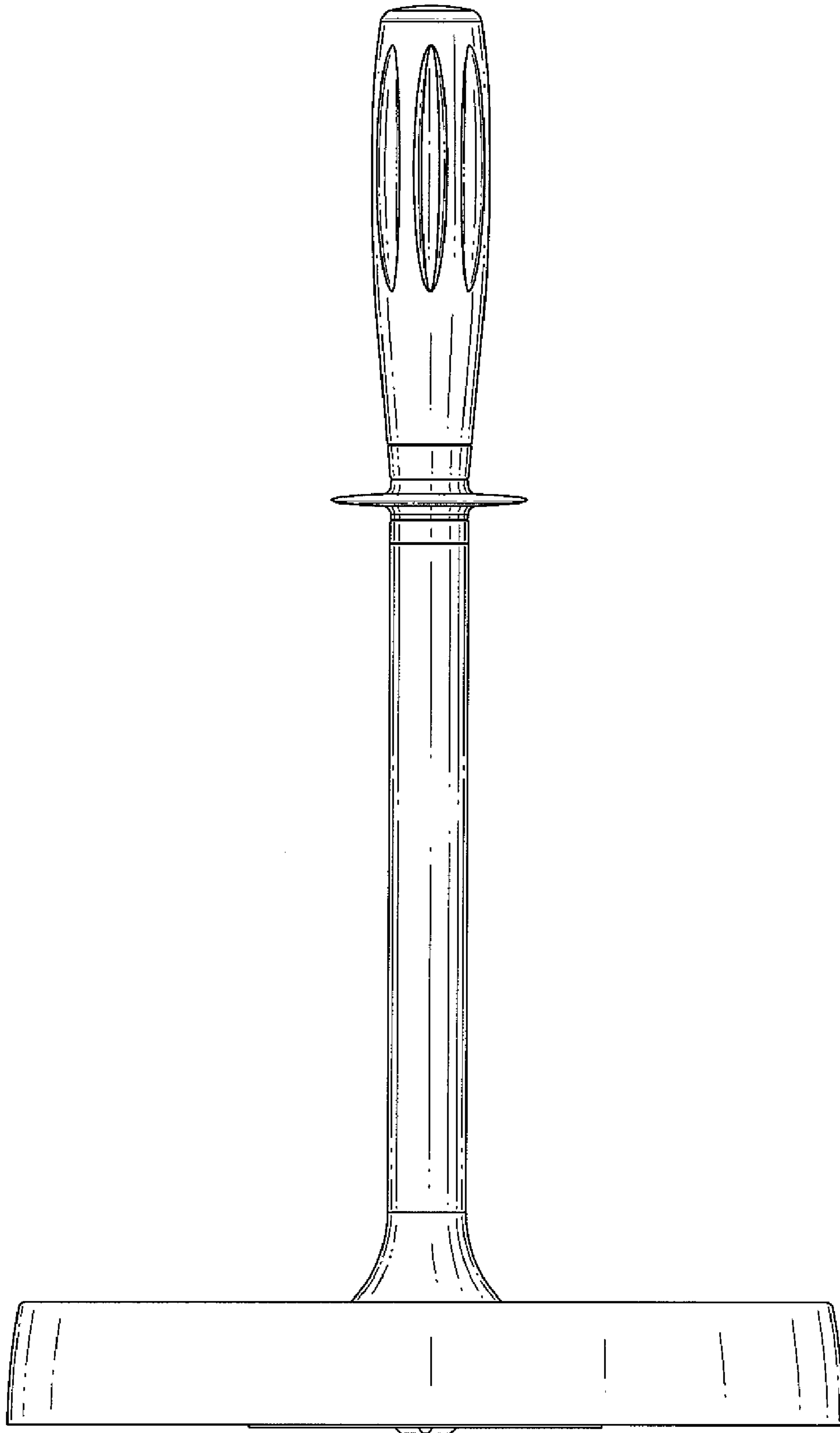
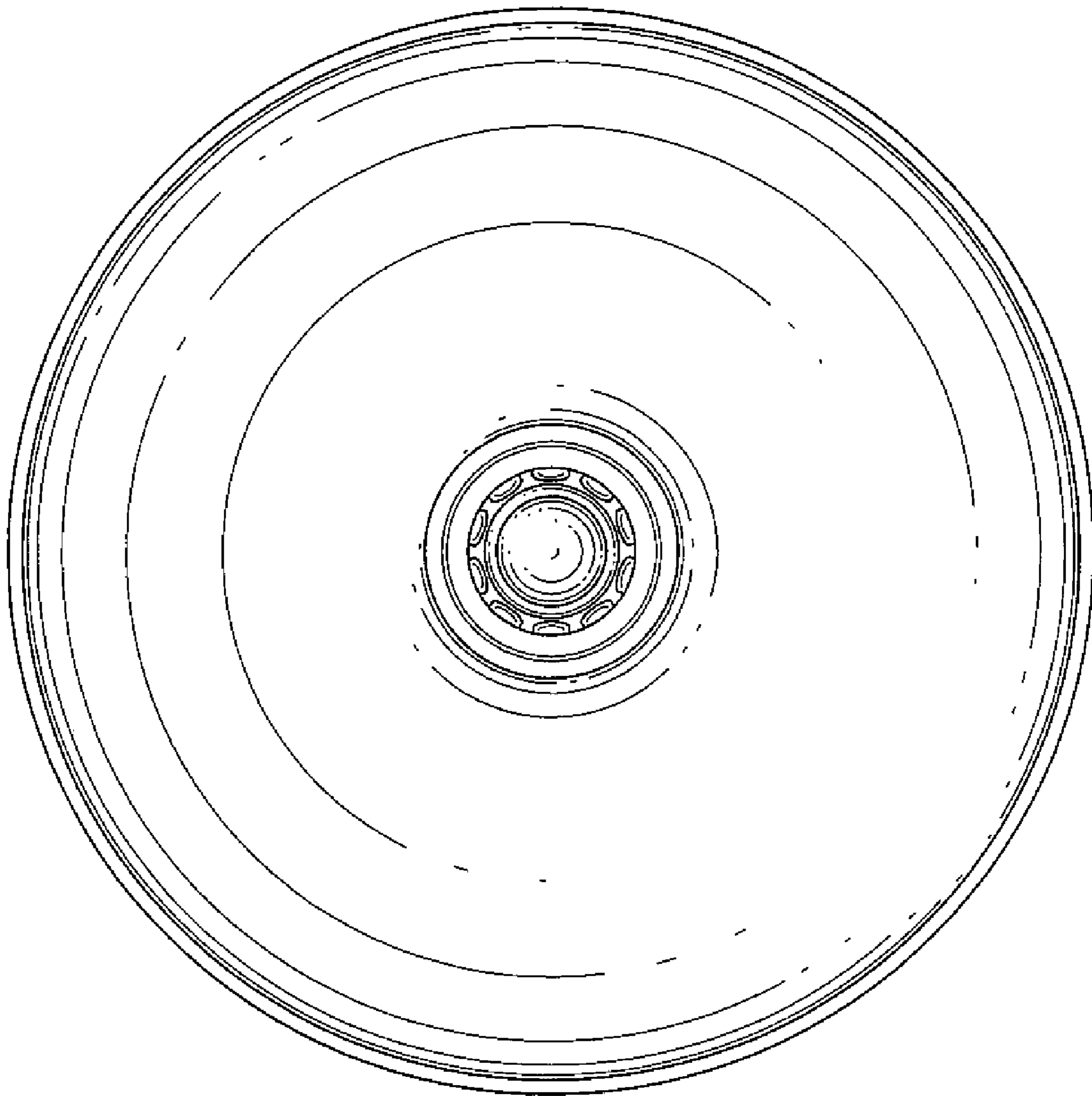


FIG. 5



*FIG. 6*

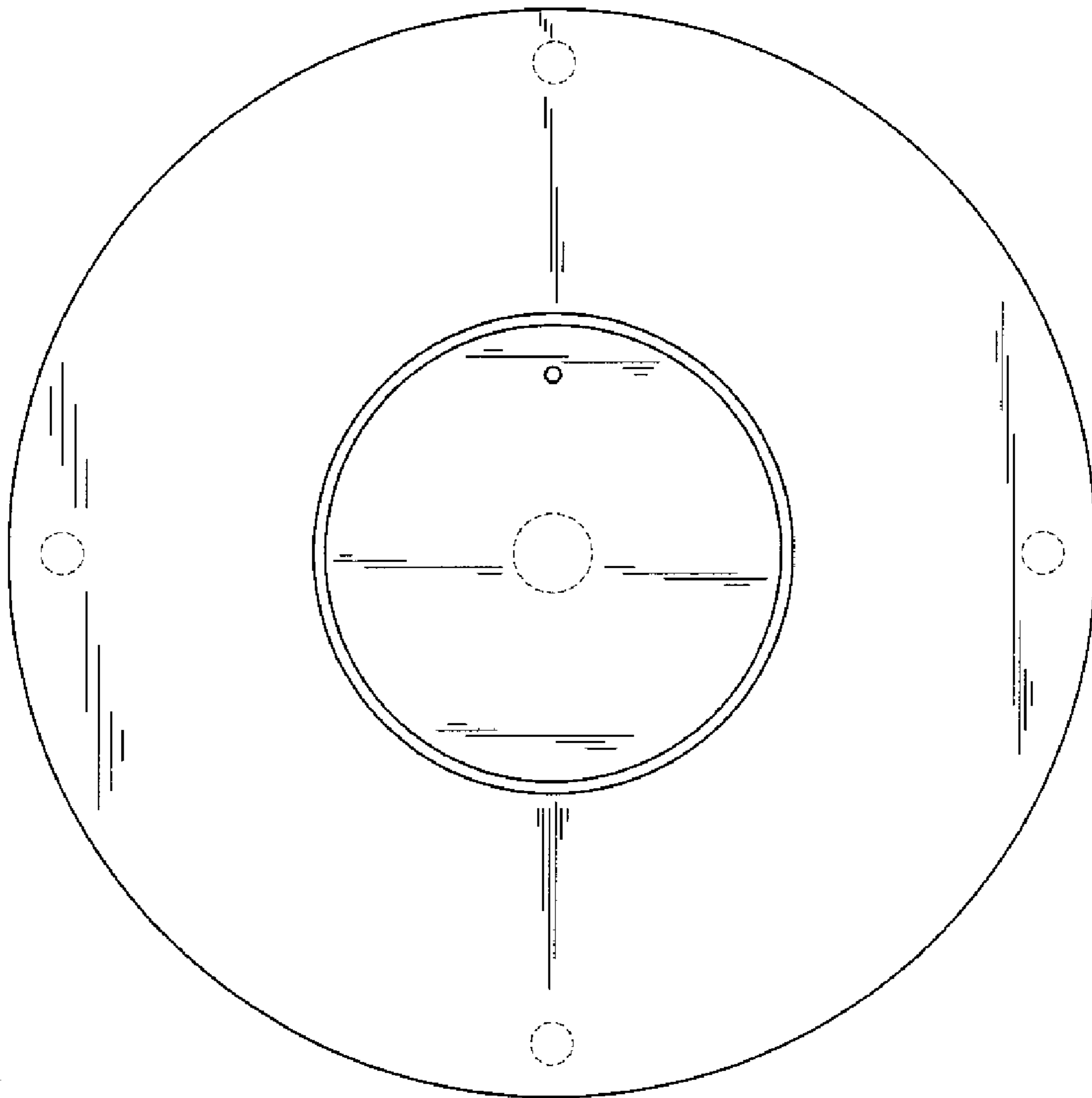


FIG. 7