

US00D577524S

(12) **United States Design Patent**
Frazier

(10) **Patent No.:** **US D577,524 S**

(45) **Date of Patent:** **** Sep. 30, 2008**

(54) **FURNITURE DOOR/DRAWER PANEL**

D504,258 S * 4/2005 Grossman et al. D6/510
D525,037 S * 7/2006 Schmitt D6/300

(75) Inventor: **Brian Frazier**, P.O. Box 629, Clayton,
NC (US) 27520

* cited by examiner

(73) Assignee: **Brian Frazier**, Clayton, NC (US)

Primary Examiner—Elizabeth A. Albert

Assistant Examiner—Kelley A Donnelly

(**) Term: **14 Years**

(74) *Attorney, Agent, or Firm*—C. Robert Rhodes; Womble
Carlyle Sandridge & Rice PLLC

(21) Appl. No.: **29/303,863**

(57) **CLAIM**

(22) Filed: **Feb. 19, 2008**

The ornamental design for a furniture door/drawer panel, as
shown and described.

(51) **LOC (8) Cl.** **06-04**

(52) **U.S. Cl.** **D6/510**

(58) **Field of Classification Search** D6/510–511,
D6/422, 425–426, 432, 445–446, 448, 491,
D6/492; 312/117, 119–120, 138.1, 198–199,
312/204, 326

DESCRIPTION

See application file for complete search history.

FIG. 1 is a top left perspective view of a furniture door/drawer
panel showing my new design;

FIG. 2 is a top plan view thereof;

FIG. 3 is a side elevational view thereof;

FIG. 4 is an end elevational view thereof;

(56) **References Cited**

U.S. PATENT DOCUMENTS

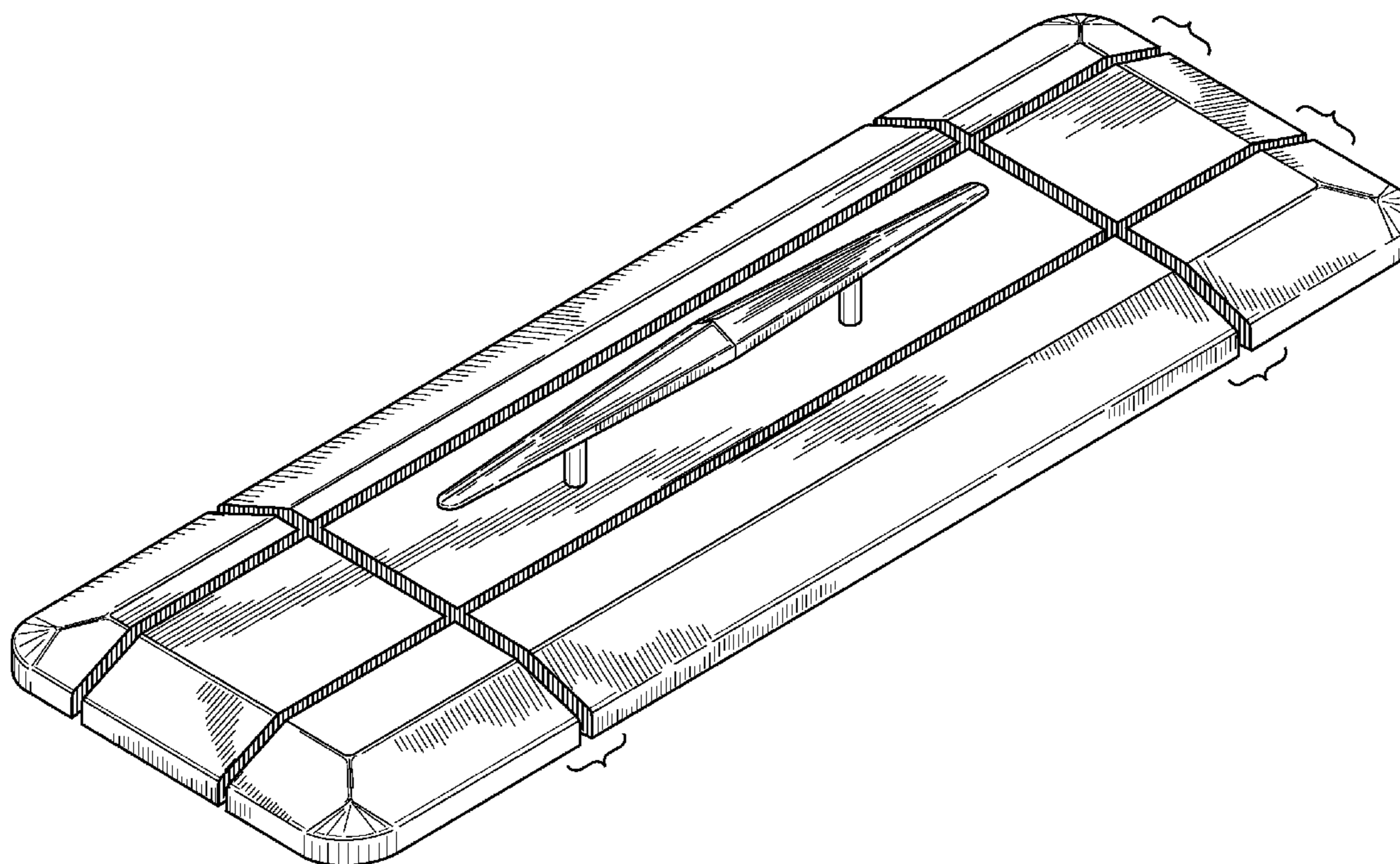
1,777,483	A *	10/1930	Copeman	249/127
D316,357	S *	4/1991	Chanda	D7/405
D335,409	S *	5/1993	Kellems	D6/510
D386,634	S *	11/1997	Daug	D6/510
D390,733	S *	2/1998	Brunner et al.	D6/510
D398,599	S *	9/1998	Chen et al.	D14/444
D417,571	S *	12/1999	Teufel et al.	D6/510
D417,806	S *	12/1999	Zaidman	D6/510
D417,985	S *	12/1999	Zaidman	D6/510
D420,541	S *	2/2000	Zaidman	D6/510
D435,184	S *	12/2000	Camfferman	D6/510
D450,499	S *	11/2001	Morrow	D6/510
D458,780	S *	6/2002	Siepmann et al.	D6/510
D471,403	S *	3/2003	Jones et al.	D7/405

FIG. 5 is a left top elevational view of an alternate embodi-
ment of our design, in a representative position in a furniture
panel-handle thereof; and,

FIG. 6 is a front elevational view of an alternate embodiment
of our design, in a representative position in a furniture panel-
handle thereof.

The use of a separation and bracket in FIGS. 1–4 illustrate that
the precise length and width of the furniture door/drawer
panel is not claimed. The opposite side and end not shown are
identical to the side and end illustrated. The bottom of the
furniture door/drawer panel not shown forms no part of the
claimed design.

1 Claim, 6 Drawing Sheets



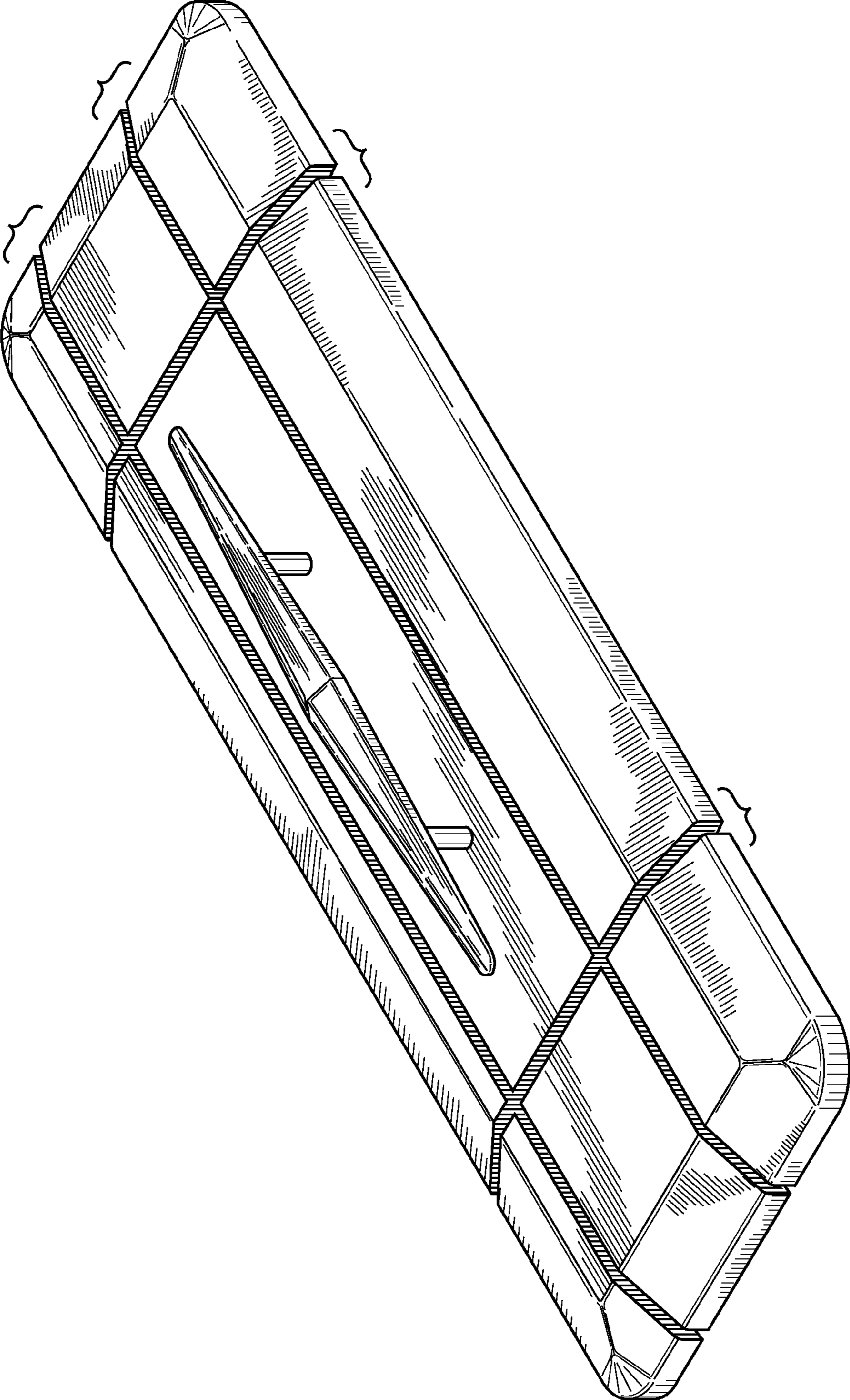


FIG. 1

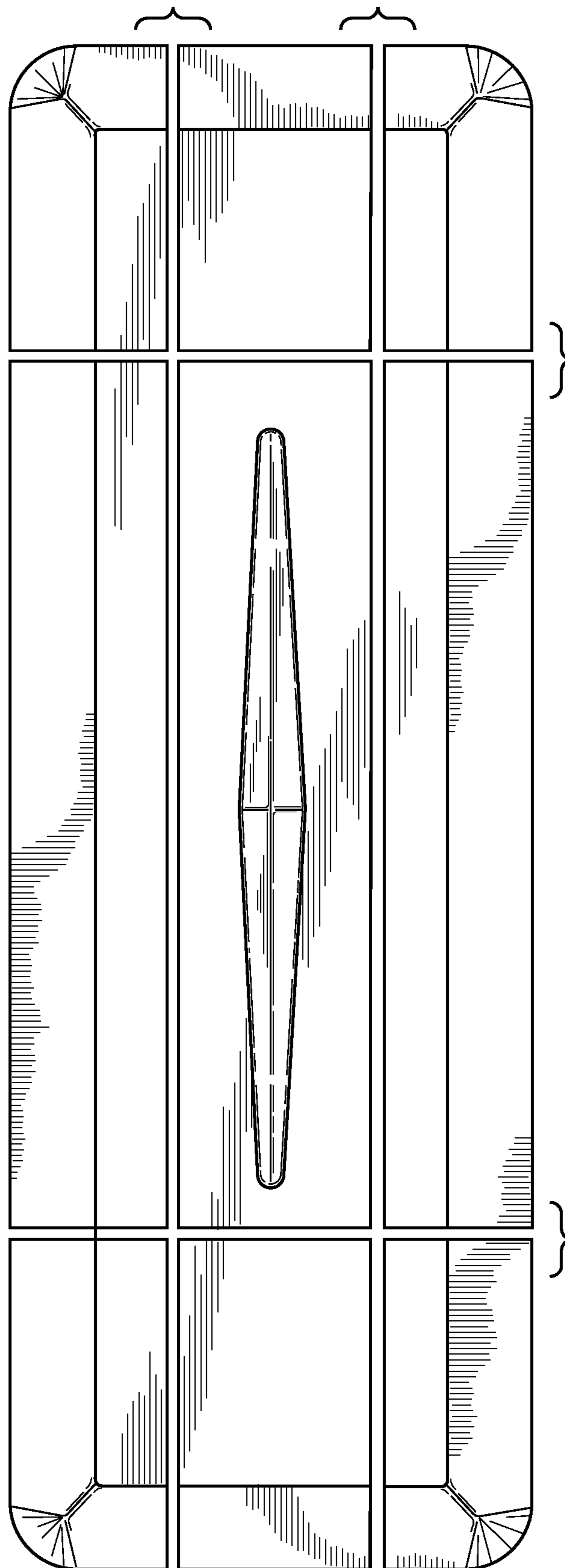


FIG. 2

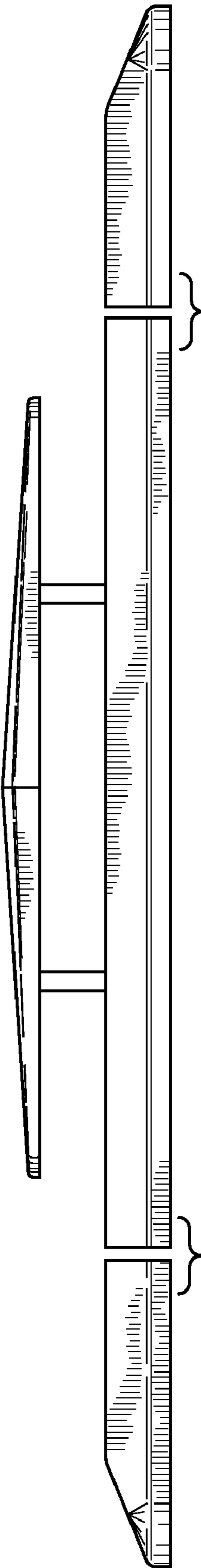


FIG. 3

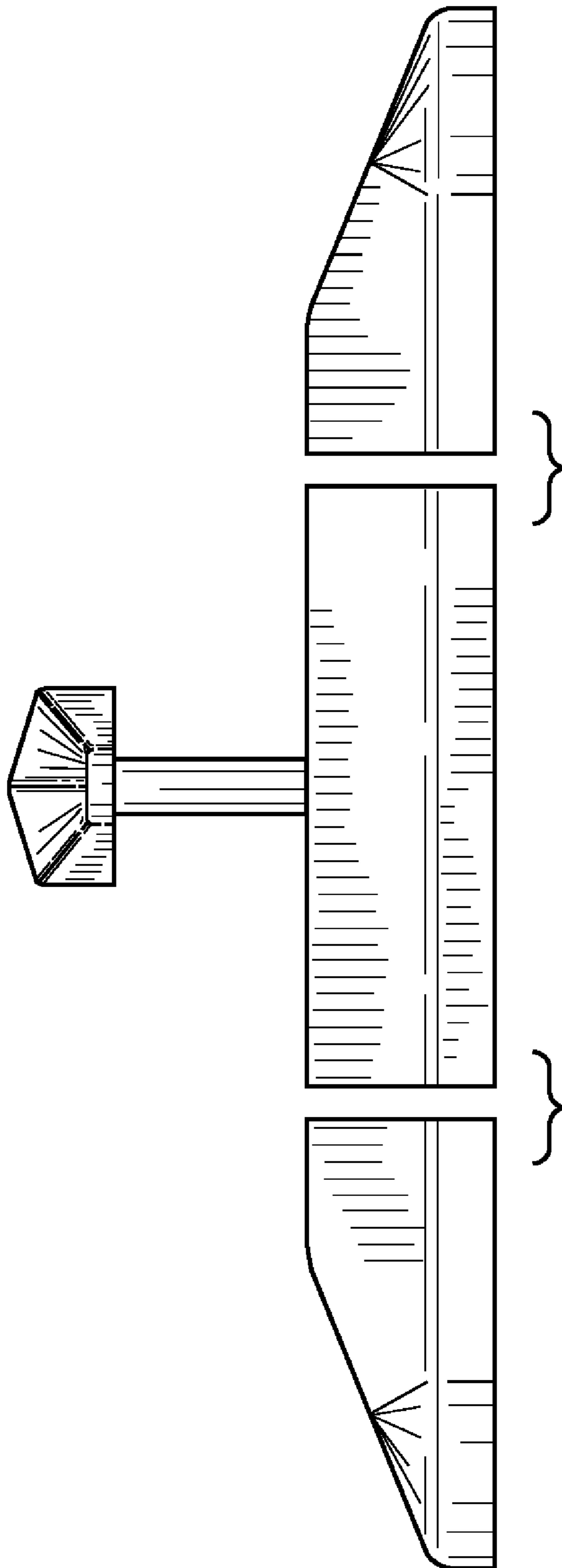


FIG. 4

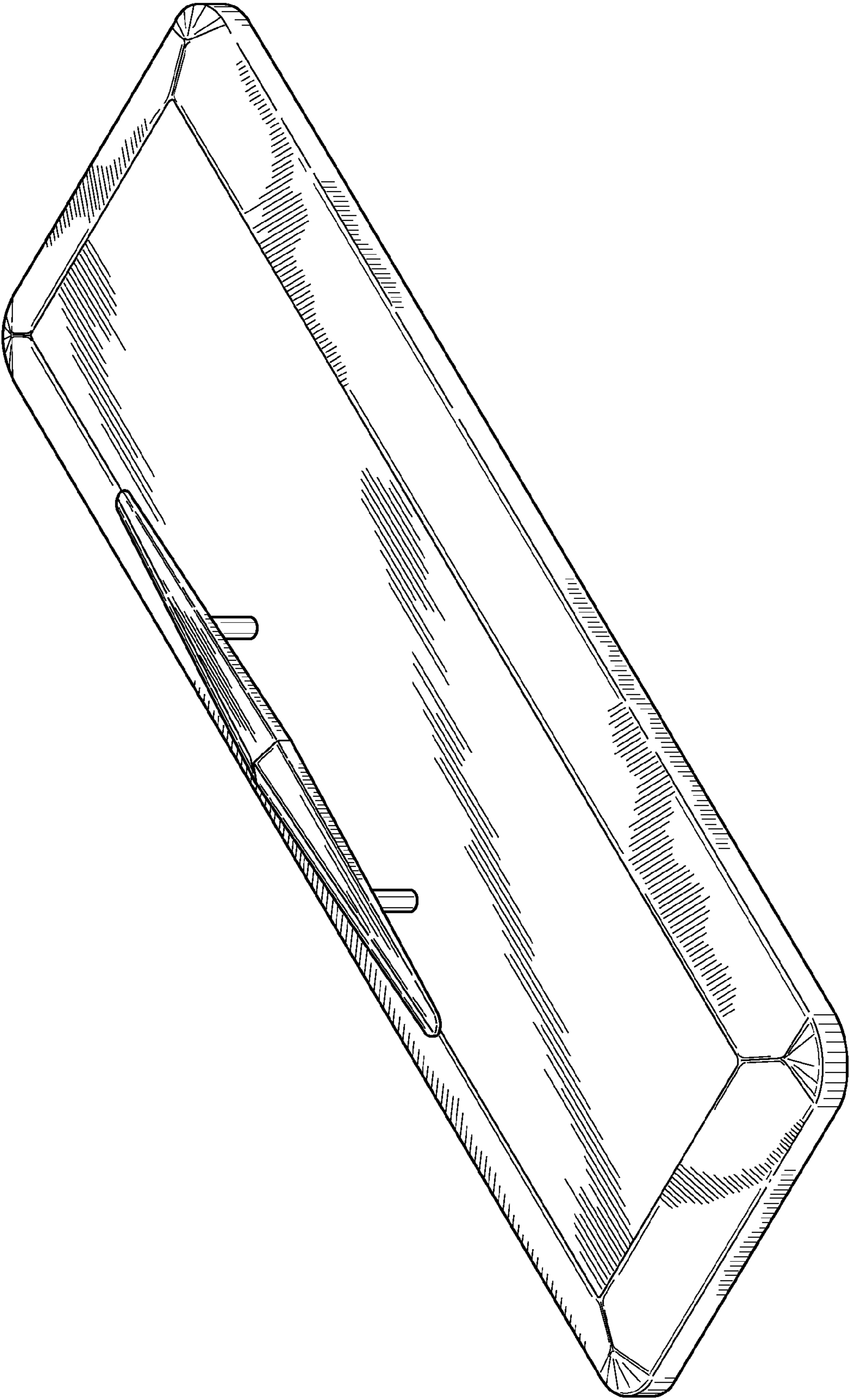


FIG. 5

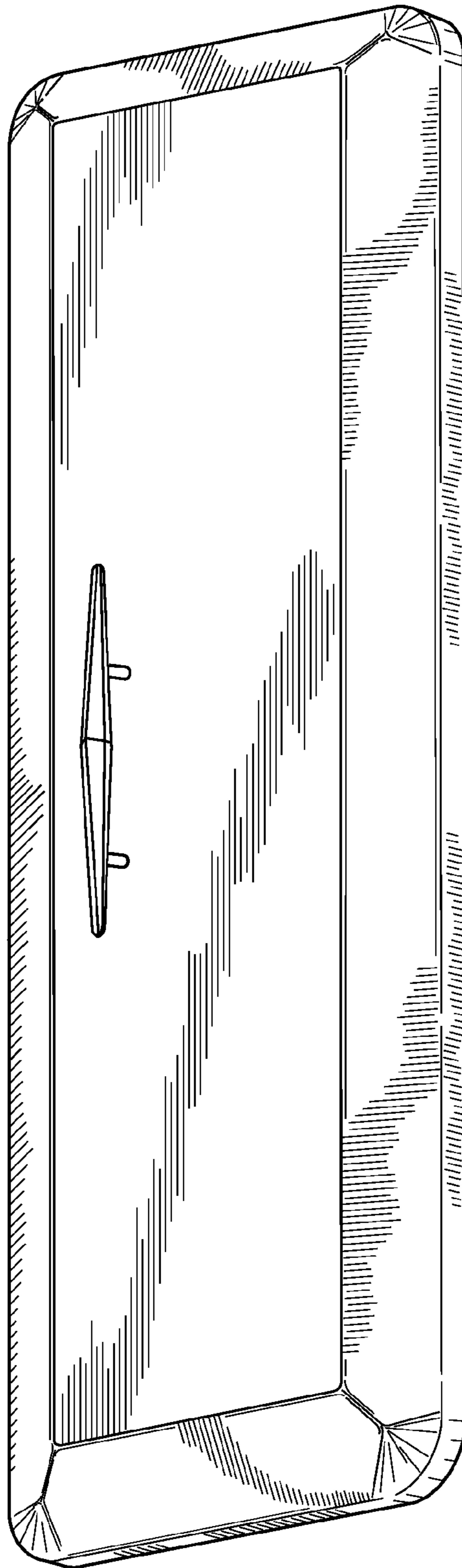


FIG. 6