



US00D577523S

(12) **United States Design Patent**
Mehmen

(10) **Patent No.:** **US D577,523 S**
(45) **Date of Patent:** **** Sep. 30, 2008**

- (54) **CABINET**
- (75) Inventor: **Robert Mehmen**, Shell Rock, IA (US)
- (73) Assignee: **Master Lock Company LLC**, Oak Creek, WI (US)
- (**) Term: **14 Years**
- (21) Appl. No.: **29/302,089**
- (22) Filed: **Jan. 10, 2008**

Related U.S. Application Data

- (63) Continuation of application No. 29/285,632, filed on Apr. 4, 2007, now Pat. No. Des. 560,079.

- (51) **LOC (8) Cl.** **06-04**
- (52) **U.S. Cl.** **D6/509**
- (58) **Field of Classification Search** D6/432-448; 312/138.1, 204, 237, 249.8, 257.1, 297, 308, 312/328, 333; 211/85.8; D3/296, 297; D25/16
See application file for complete search history.

(56) **References Cited**

U.S. PATENT DOCUMENTS

D205,522 S	8/1966	Doman	
D218,080 S	7/1970	Sierzega	
4,120,549 A	10/1978	Bureau	
D327,967 S	7/1992	Hikawa	
D341,253 S	11/1993	Ballman et al.	
5,332,305 A	7/1994	Slivon et al.	
5,443,311 A	8/1995	Kadlecek et al.	
D361,910 S *	9/1995	Maple et al.	D6/445
D364,468 S *	11/1995	Maple	D25/16
D365,154 S *	12/1995	Maple	D25/16
D370,342 S	6/1996	Gwyther	
D370,572 S	6/1996	Lin	
D372,378 S	8/1996	Kruger	
D375,168 S *	10/1996	Hunt et al.	D25/16
5,603,559 A *	2/1997	Yemini	312/333
5,607,214 A	3/1997	Pierce et al.	
D381,166 S	7/1997	Bonazza	

D385,722 S	11/1997	Yemini	
D386,626 S	11/1997	Yemini	
5,720,535 A	2/1998	Mehman	
D393,541 S	4/1998	Calmeise	
D394,562 S *	5/1998	Di Blasi	D6/446
5,857,757 A	1/1999	Bieker et al.	
D412,626 S	8/1999	Johnson et al.	
6,039,417 A *	3/2000	Snoke et al.	312/257.1
D423,818 S	5/2000	Holcomb et al.	
D427,807 S	7/2000	Holcomb et al.	
6,109,709 A	8/2000	Holcomb et al.	
D430,426 S	9/2000	Bieker et al.	
6,176,559 B1	1/2001	Tiramani et al.	
D448,168 S	9/2001	Johnston	
D449,181 S	10/2001	Story et al.	
D453,074 S	1/2002	Johnston	
6,347,847 B1	2/2002	Tiramani et al.	

(Continued)

Primary Examiner—Mimosa De
(74) *Attorney, Agent, or Firm*—Calfee, Halter & Griswold LLP

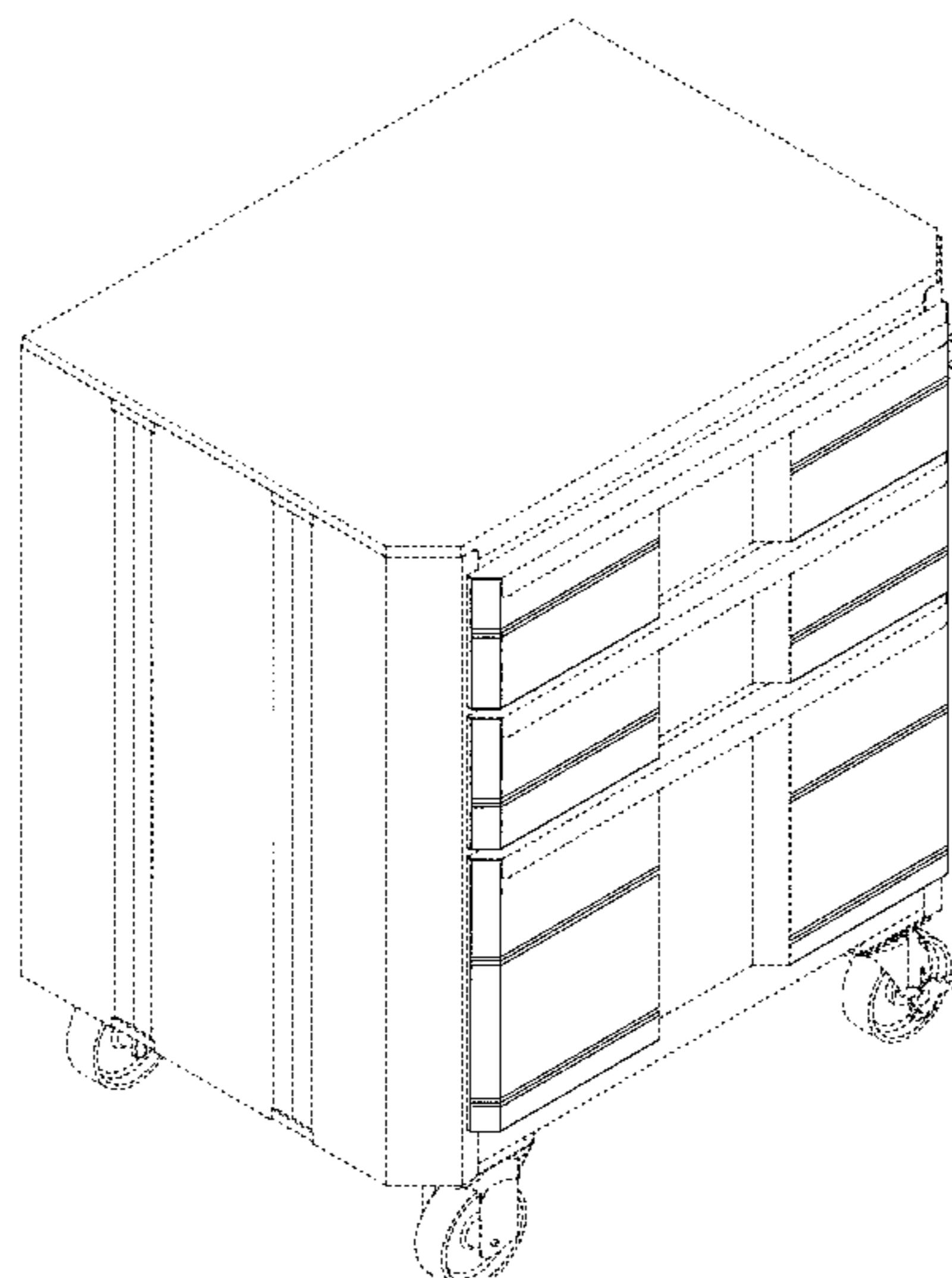
(57) **CLAIM**

I claim the ornamental design for a cabinet, as shown and described.

DESCRIPTION

FIG. 1 is a front perspective view of a cabinet made in accordance with an embodiment of the new design;
 FIG. 2 is a top view of the cabinet of FIG. 1;
 FIG. 3 is a front view of the cabinet of FIG. 1;
 FIG. 4 is a rear view of the cabinet of FIG. 1;
 FIG. 5 is a bottom view of the cabinet of FIG. 1;
 FIG. 6 is a right side view of the cabinet of FIG. 1; and,
 FIG. 7 is a left side view of the cabinet of FIG. 1.
 The portions of the Figures shown in broken lines are not part of the claimed design and are for illustration only.

1 Claim, 4 Drawing Sheets



US D577,523 S

Page 2

U.S. PATENT DOCUMENTS

D455,902 S	4/2002	Wolf	D520,784 S	5/2006	Schmidt et al.	
D457,704 S	5/2002	Fiscus et al.	D526,782 S	8/2006	Hosking	
D470,687 S	2/2003	Binse et al.	D532,991 S *	12/2006	Gozzi et al.	D6/439
D496,540 S *	9/2004	Moon et al.	D547,160 S	7/2007	Hand	
D505,237 S	5/2005	Schmidt et al.	D554,370 S	11/2007	Hand	
D506,090 S	6/2005	Ben-Or	D554,864 S	11/2007	Hand	
D514,854 S	2/2006	Schmidt et al.	D560,079 S	1/2008	Mehmen	
D517,805 S	3/2006	Hosking	D563,103 S	3/2008	Hand	
D520,264 S	5/2006	Mehmen et al.	2002/0030425 A1	3/2002	Tiramani et al.	
			2002/0074905 A1	6/2002	Tiramani et al.	

* cited by examiner

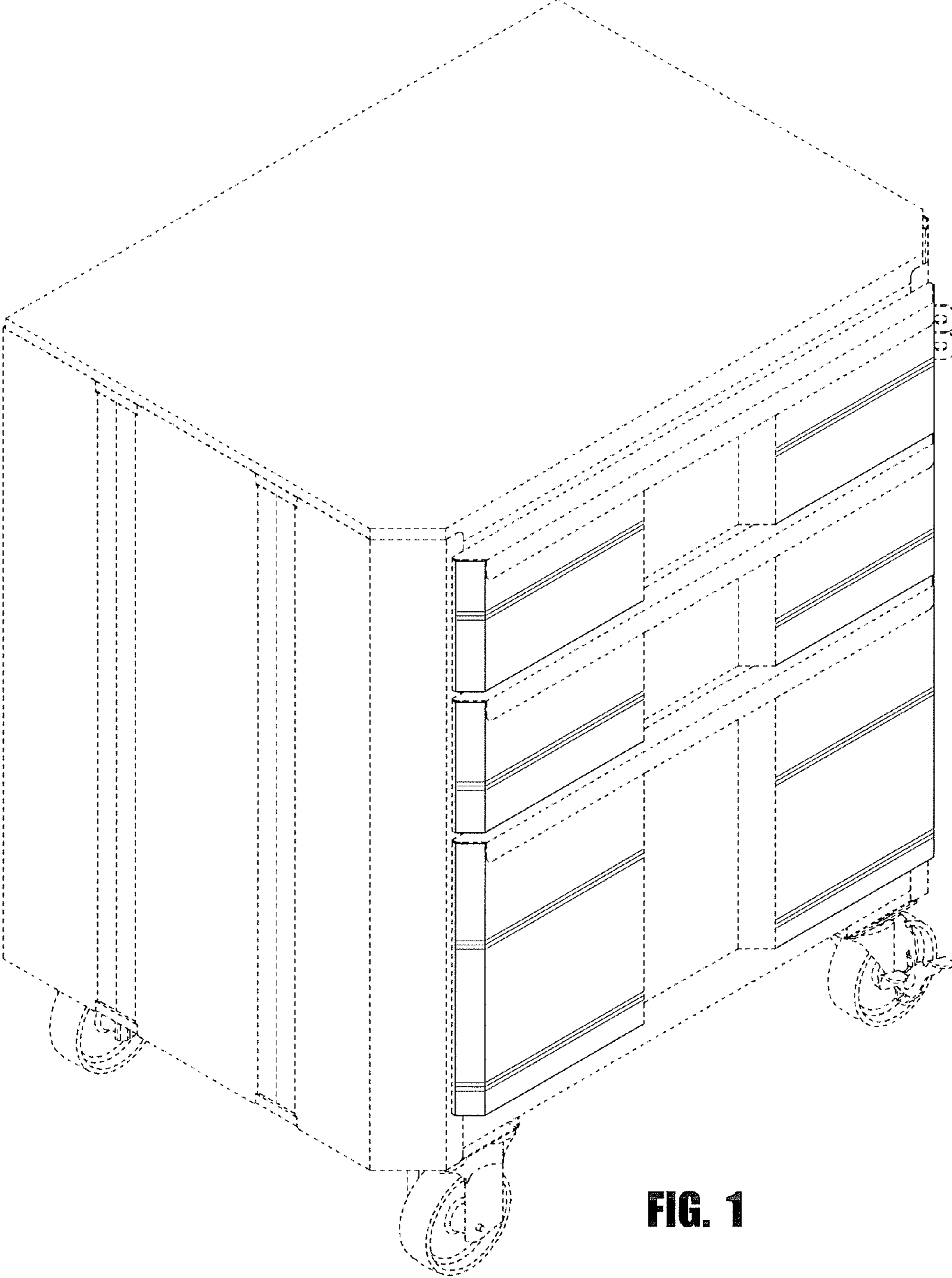


FIG. 1

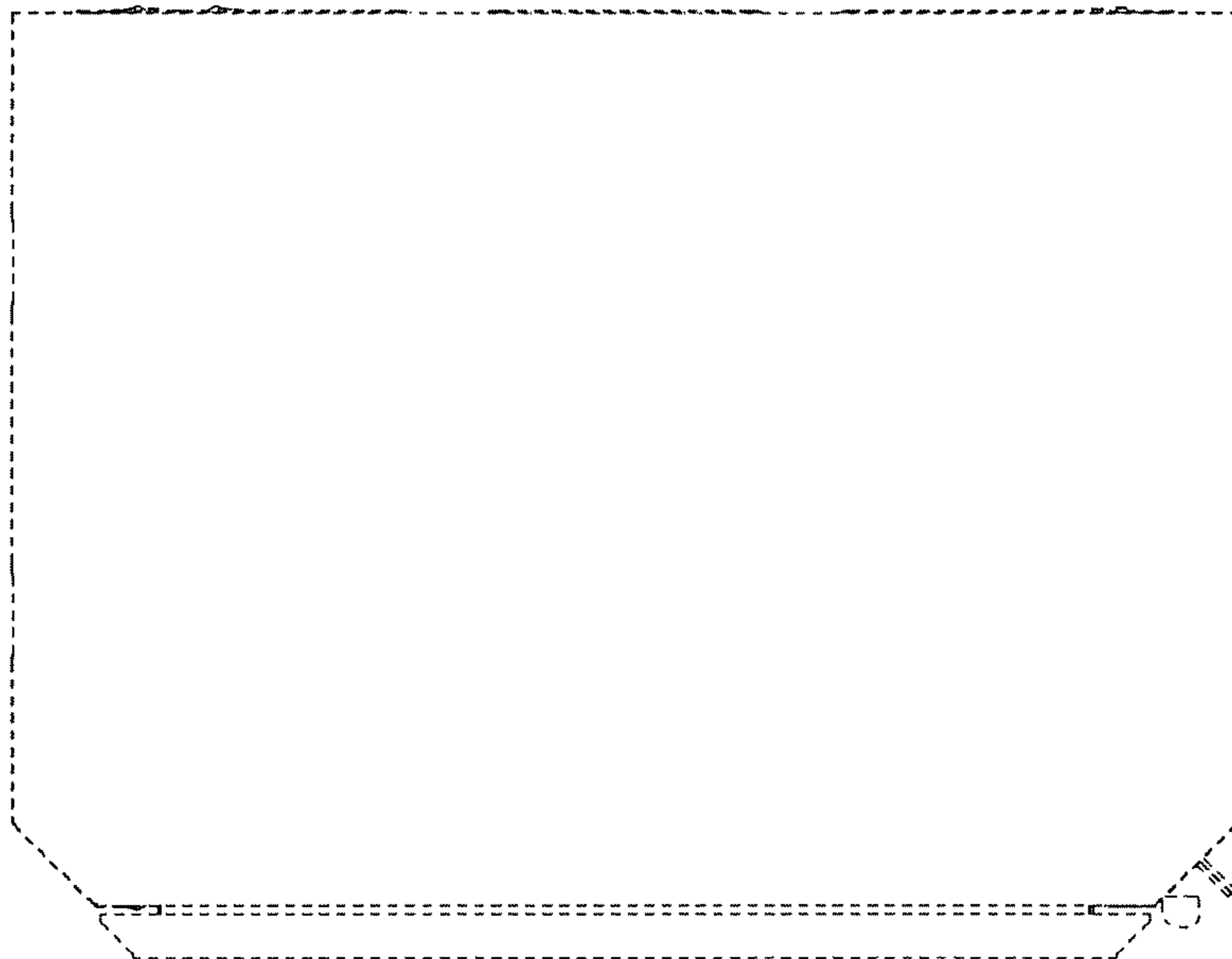


FIG. 2

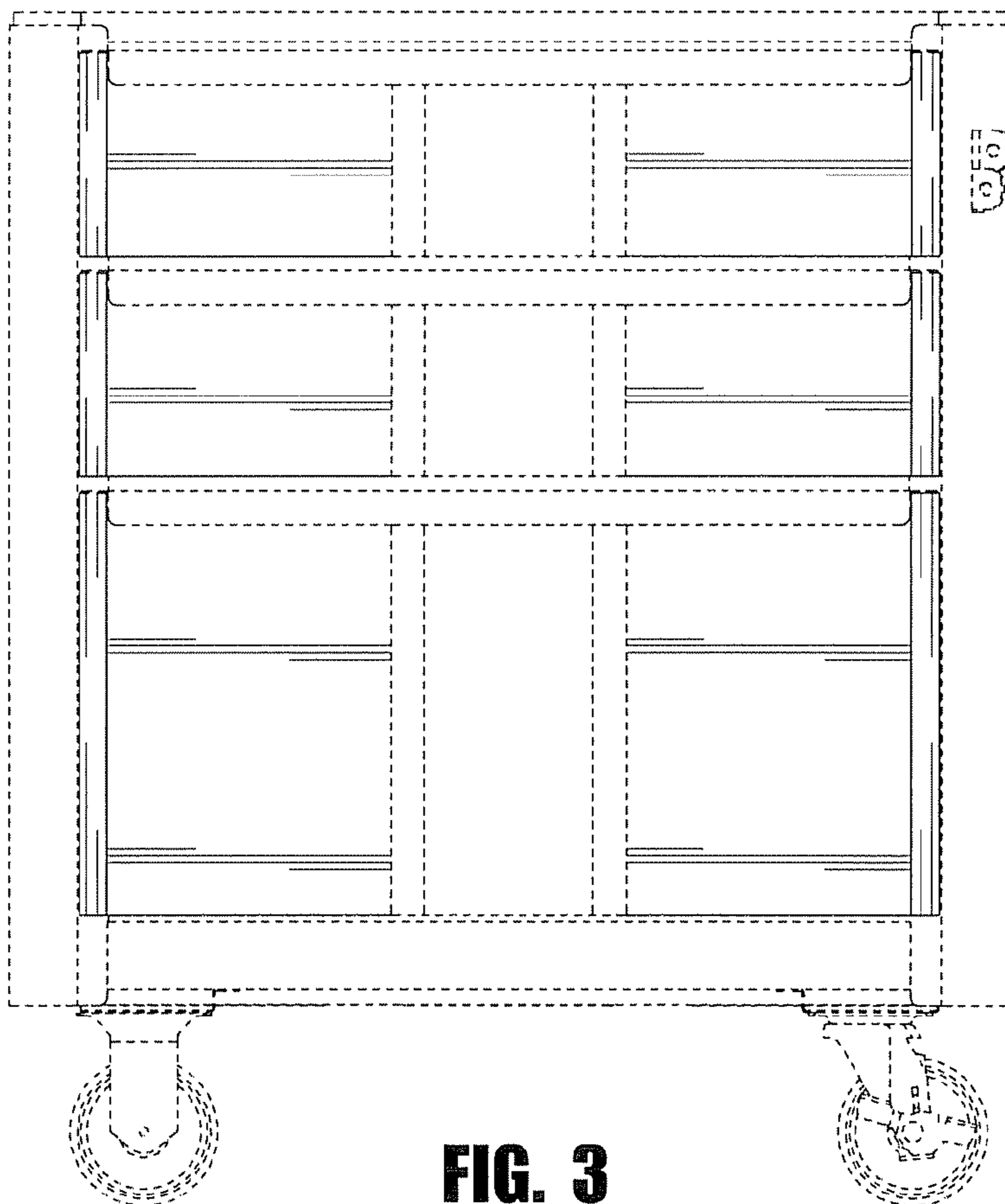


FIG. 3

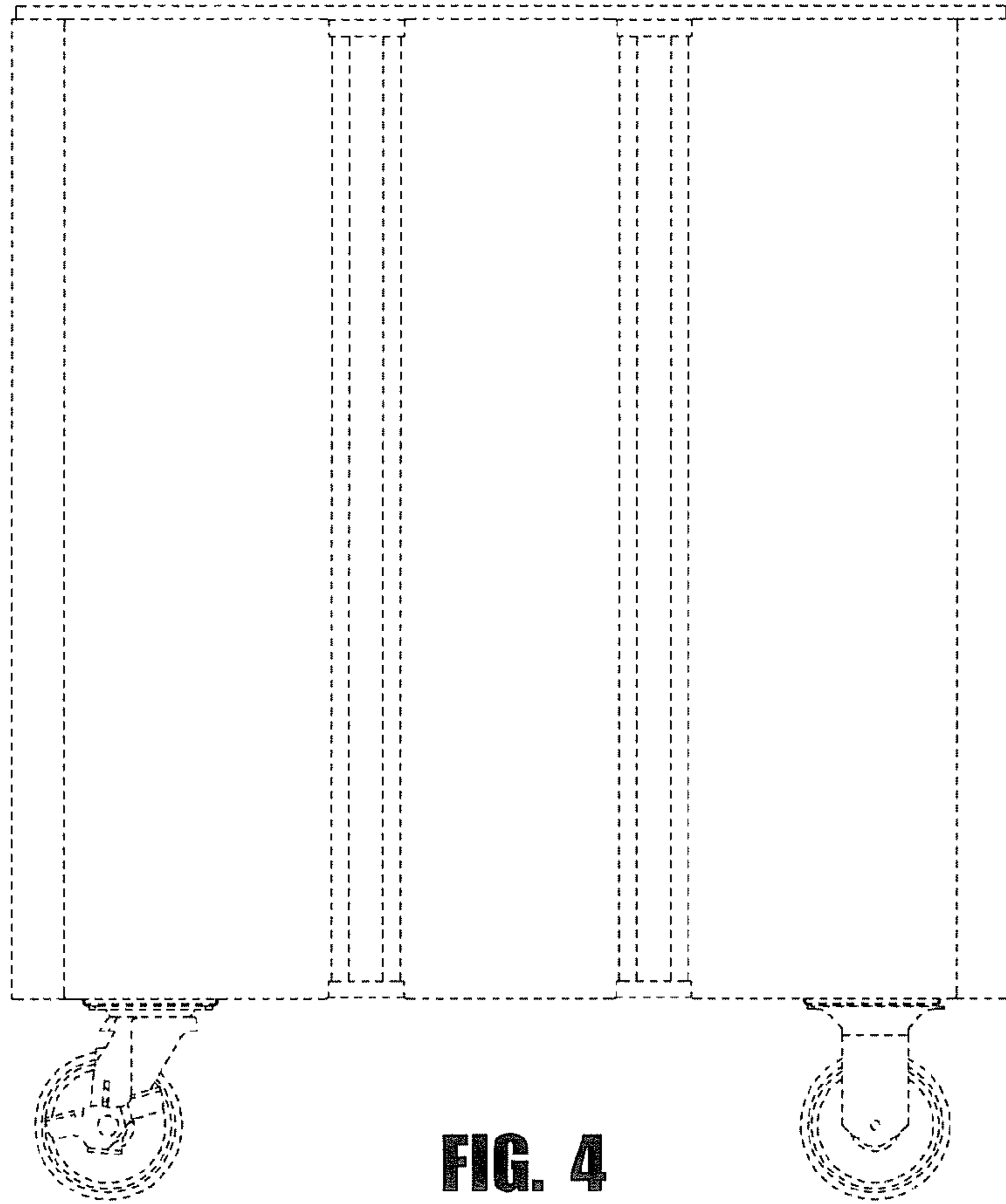


FIG. 4

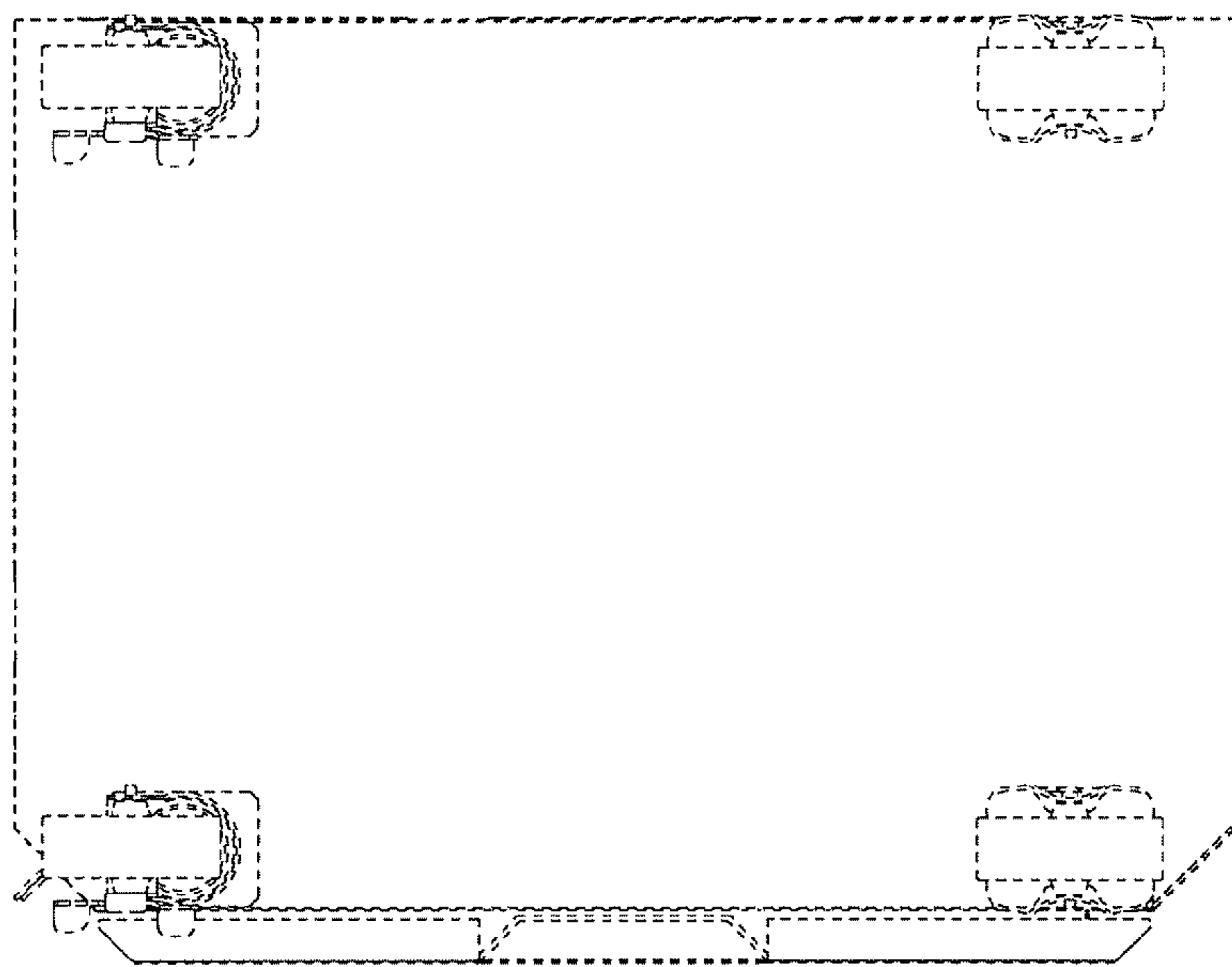


FIG. 5

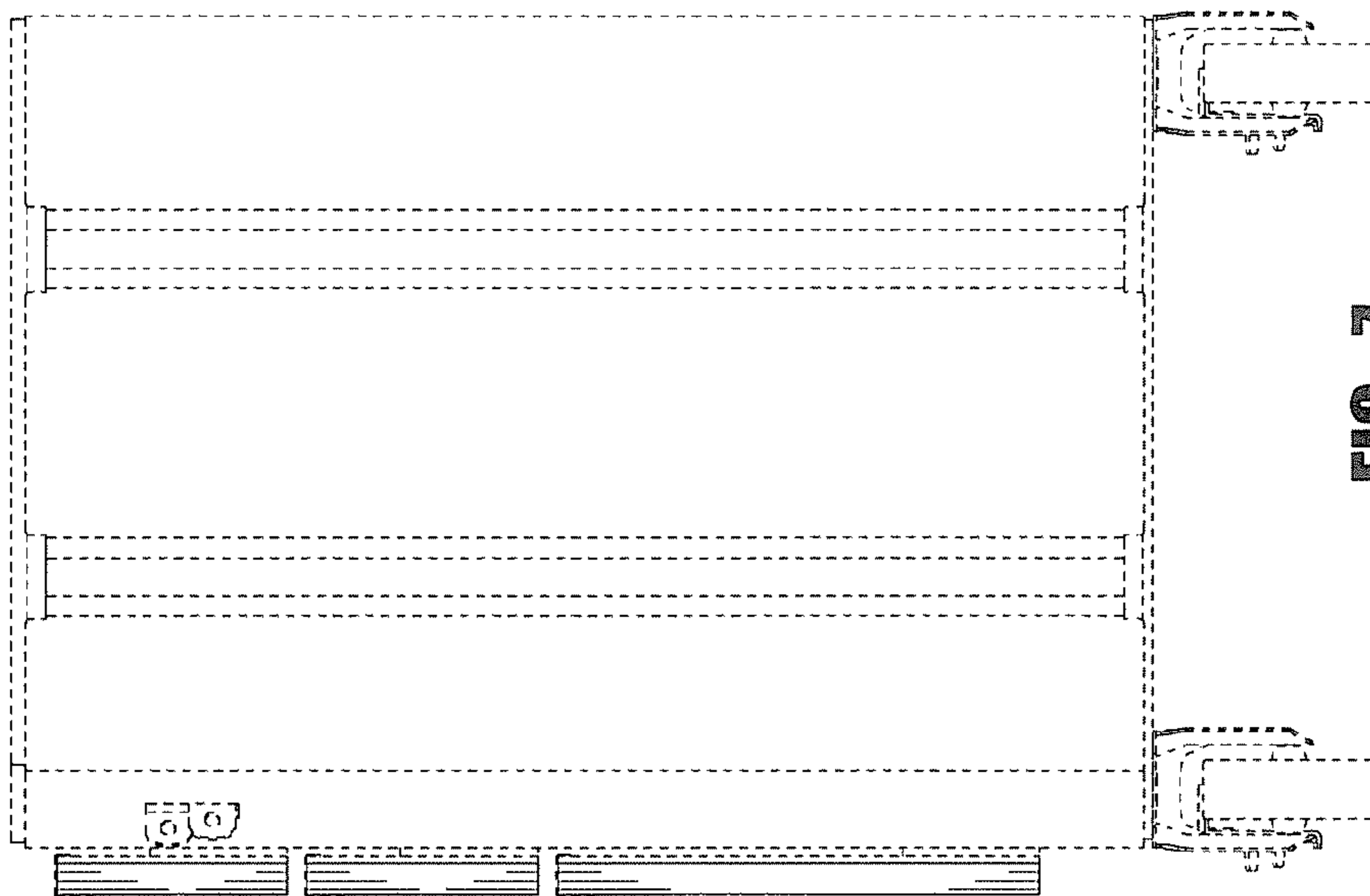


FIG. 7

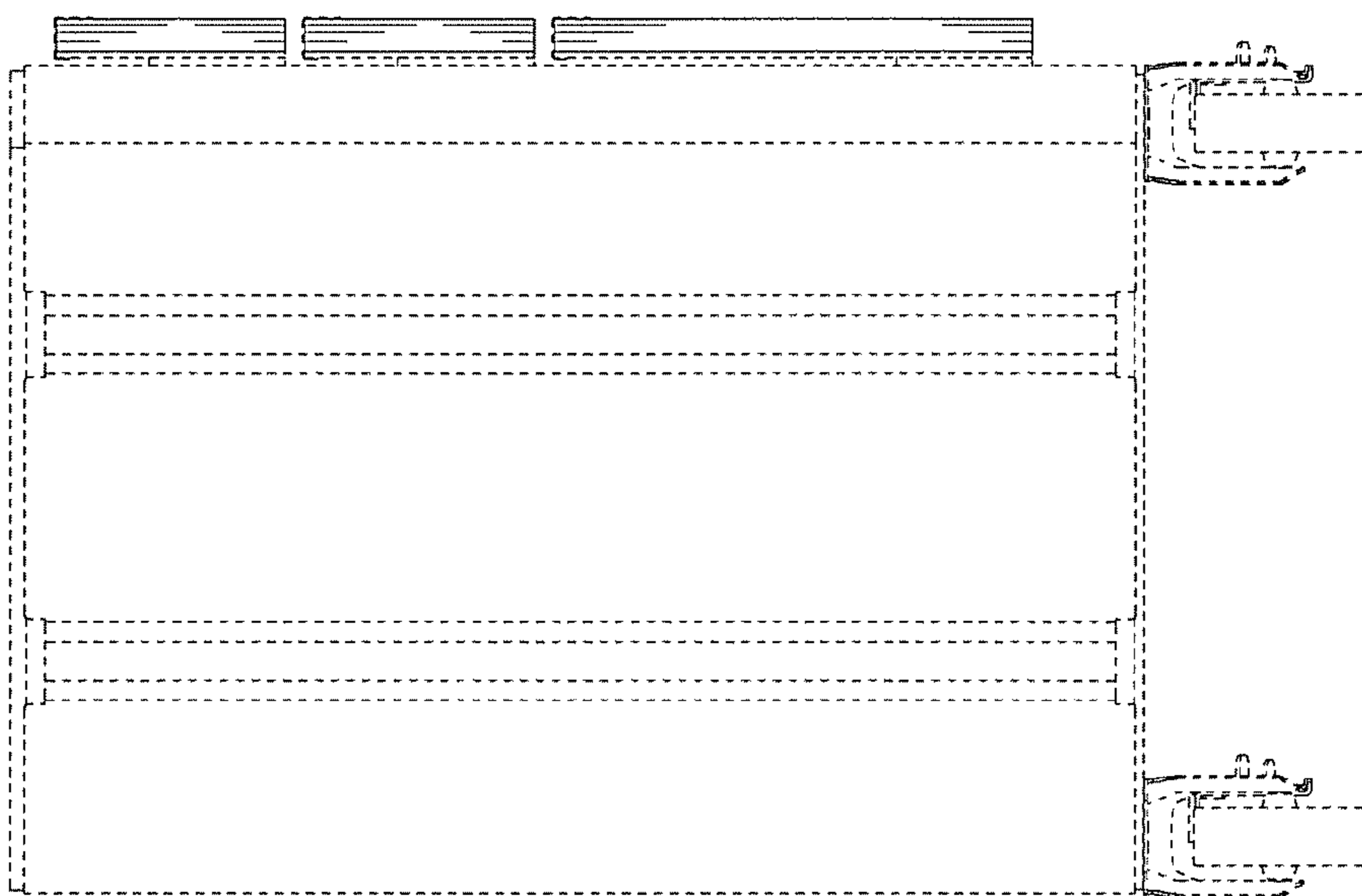


FIG. 6