



US00D577520S

(12) **United States Design Patent**
Lee

(10) **Patent No.:** **US D577,520 S**
(45) **Date of Patent:** **** Sep. 30, 2008**

(54) **SEAT BACK**

(76) Inventor: **Lawrence K. Lee**, 9320 Harwin Dr.,
Houston, TX (US) 77036

(**) Term: **14 Years**

(21) Appl. No.: **29/304,324**

(22) Filed: **Feb. 28, 2008**

Related U.S. Application Data

(63) Continuation of application No. 29/281,758, filed on
Jun. 29, 2007, now Pat. No. Des. 566,411, and a con-
tinuation of application No. 29/281,673, filed on Jun.
28, 2007, now Pat. No. Des. 566,975.

(51) **LOC (8) Cl.** **06-01**

(52) **U.S. Cl.** **D6/502**

(58) **Field of Classification Search** D6/334-336,
D6/344, 347, 348, 369, 370, 374, 376, 379,
D6/380, 381, 499, 500-502; 297/440.15,
297/411.43, 445.1, 446.1, 452.63, 452.64,
297/447.4

See application file for complete search history.

(56) **References Cited**

U.S. PATENT DOCUMENTS

1,691,262	A *	11/1928	Wurdack	297/411.43
D109,239	S *	4/1938	Wolpin	D6/370
2,490,884	A *	12/1949	Rau	297/440.15
3,873,154	A *	3/1975	Baker, Jr.	297/447.4
D252,238	S *	7/1979	Van Sant	D6/379
D319,355	S *	8/1991	Hess	D6/379

D399,064	S *	10/1998	Noll	D6/344
D399,065	S *	10/1998	Noll	D6/344
D420,824	S *	2/2000	Lin	D6/370
D441,976	S *	5/2001	Cramer	D6/380
D509,966	S *	9/2005	Katz et al.	D6/348

* cited by examiner

Primary Examiner—Mimosa De

(74) *Attorney, Agent, or Firm*—Egbert Law Offices

(57) **CLAIM**

The ornamental design for a seat back, as shown and described.

DESCRIPTION

FIG. 1 is an upper perspective view of the seat back showing my design.

FIG. 2 is a front view thereof;

FIG. 3 is a back view thereof;

FIG. 4 is a side view thereof;

FIG. 5 is an opposite side view thereof;

FIG. 6 is top view thereof;

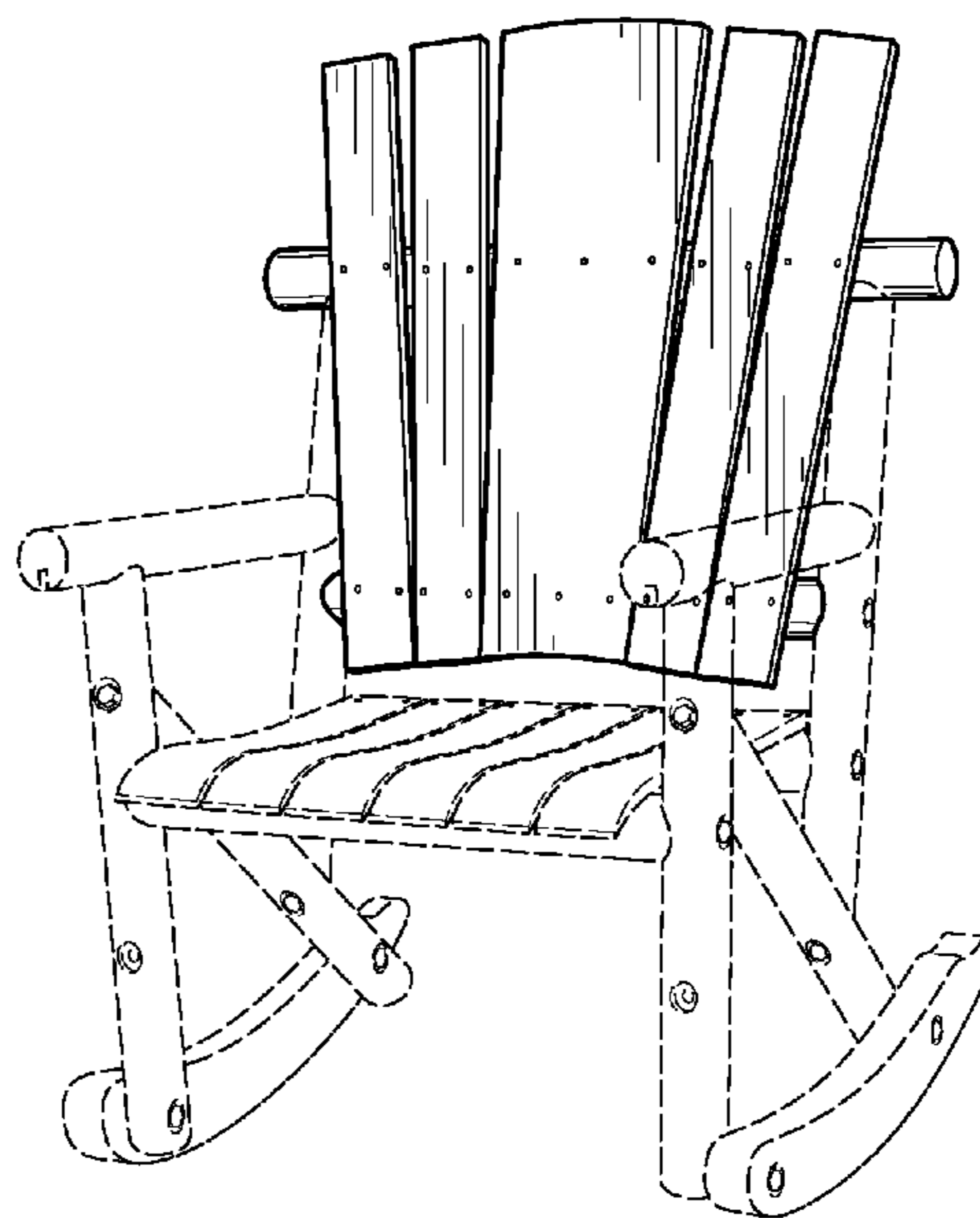
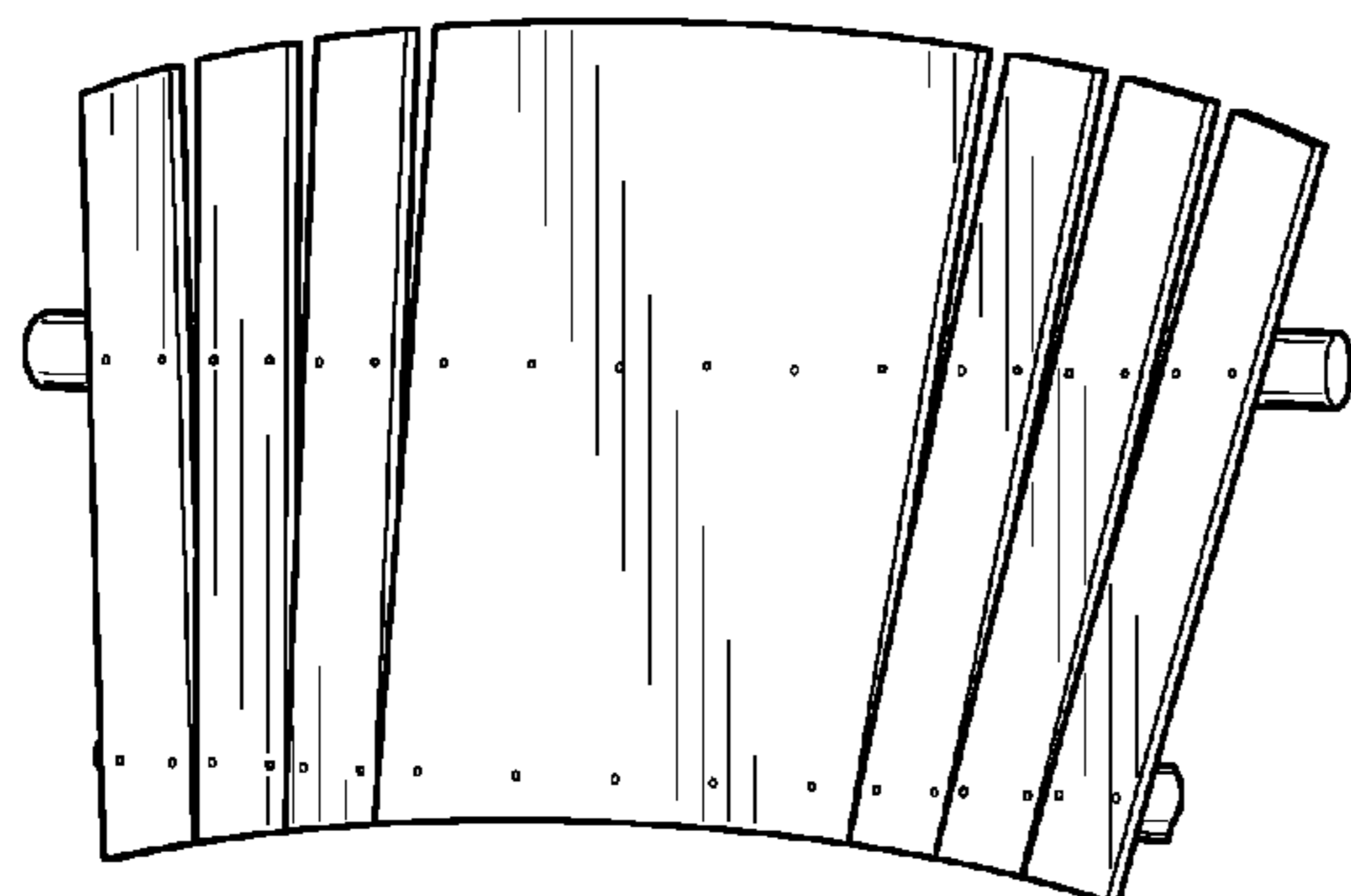
FIG. 7 is a bottom view thereof;

FIG. 8 is another upper perspective view of a second embodiment, the difference being a matter of length; and,

FIG. 9 is an upper perspective view thereof, showing attachment to a seat in broken lines.

The broken lines in FIG. 9 are presented for illustrative purposes only and for no part of the claimed design.

1 Claim, 2 Drawing Sheets



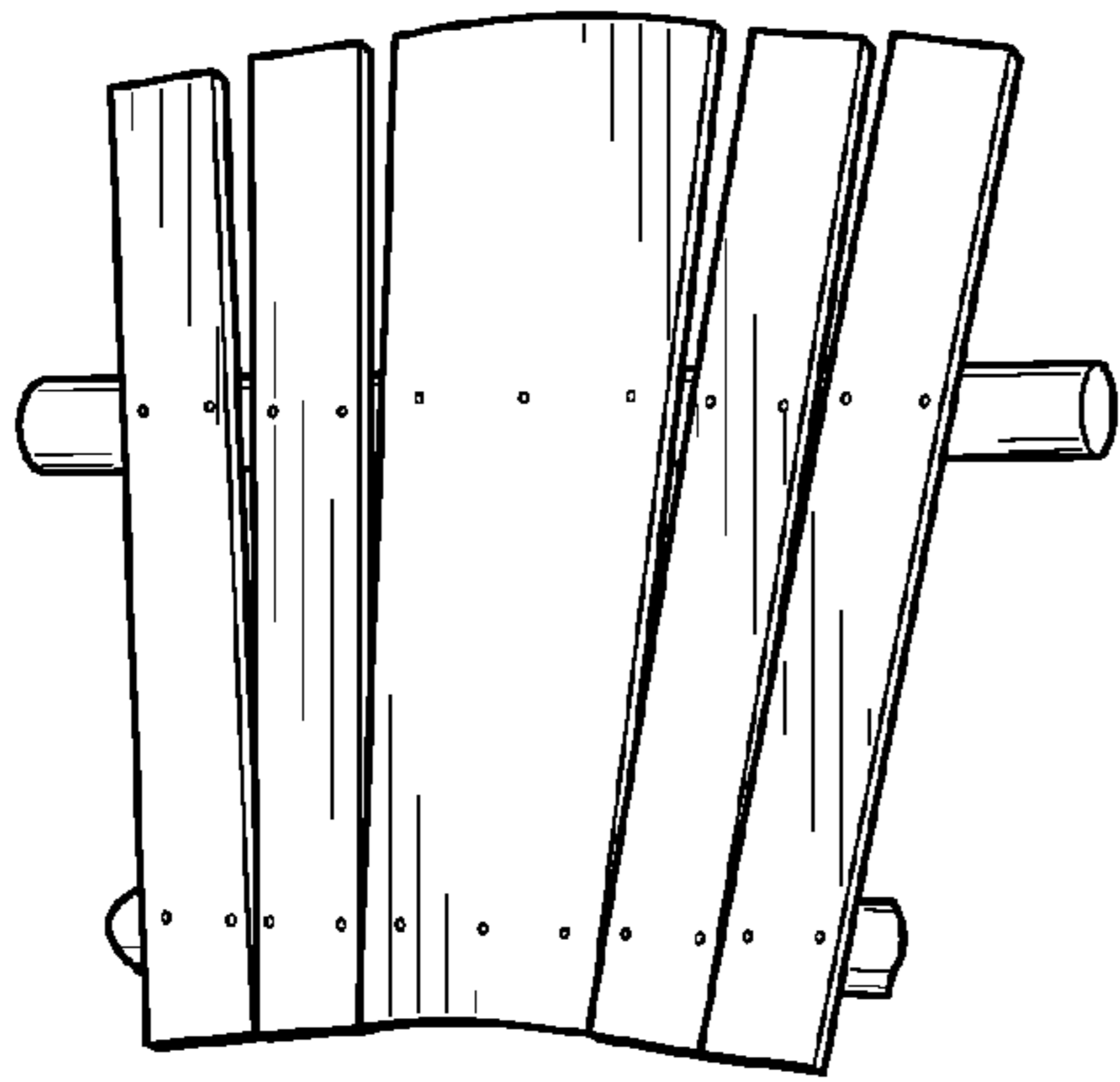


FIG. 1

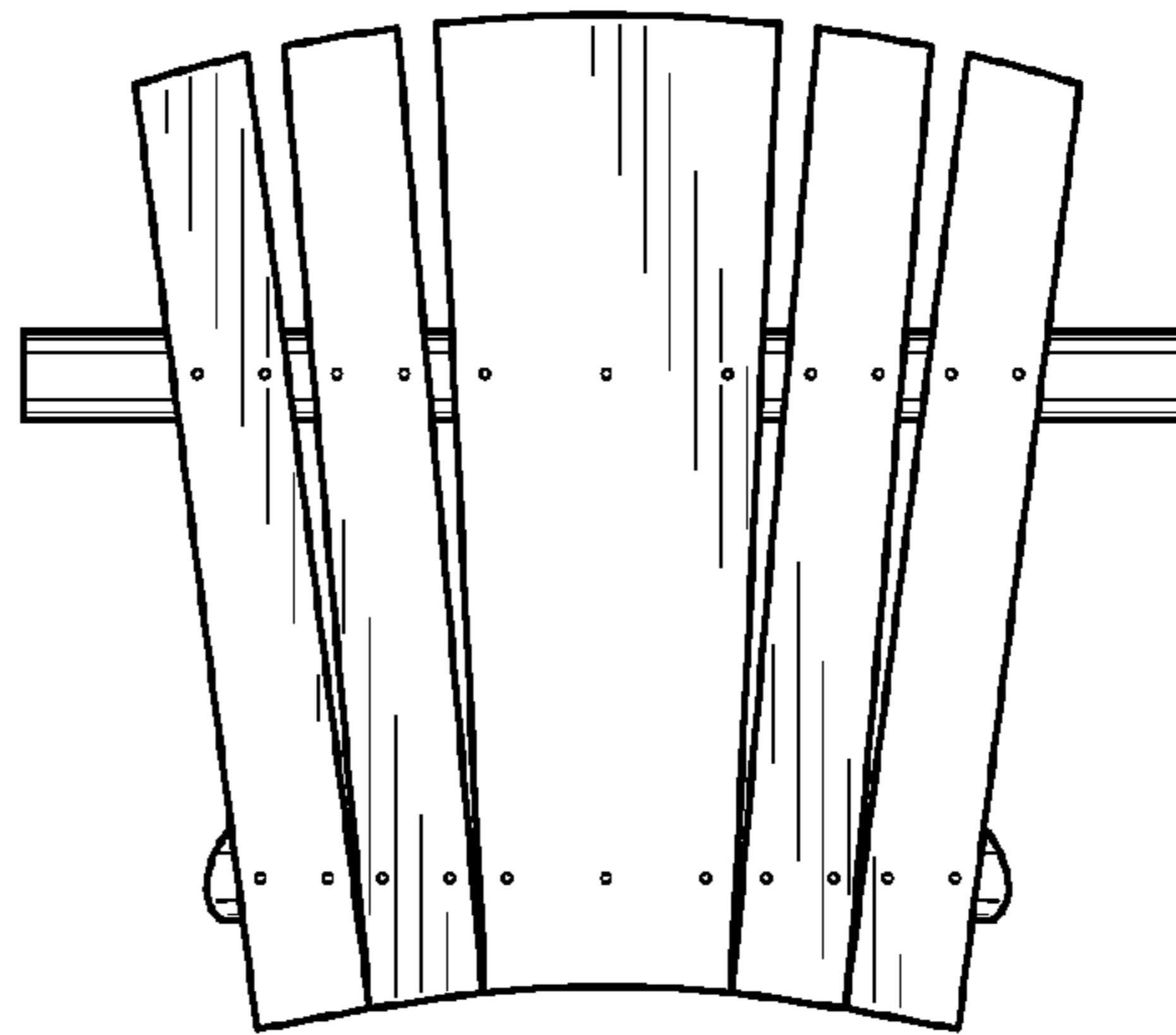


FIG. 2

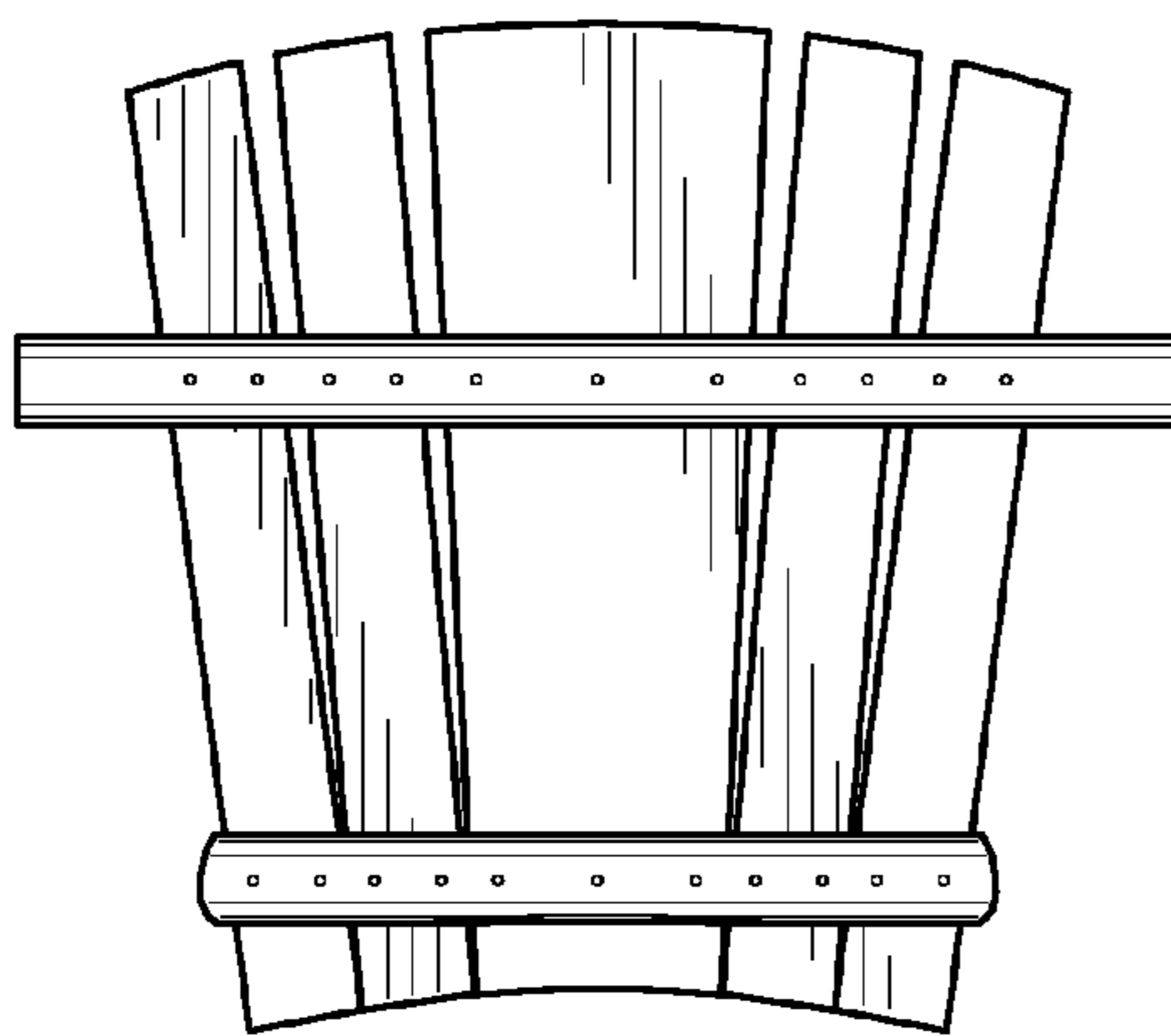


FIG. 3

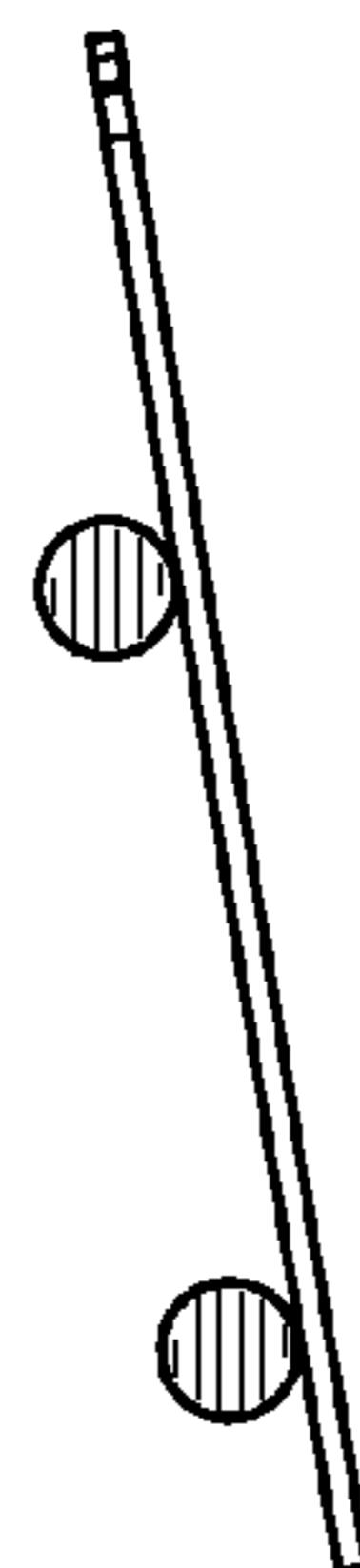


FIG. 4



FIG. 5

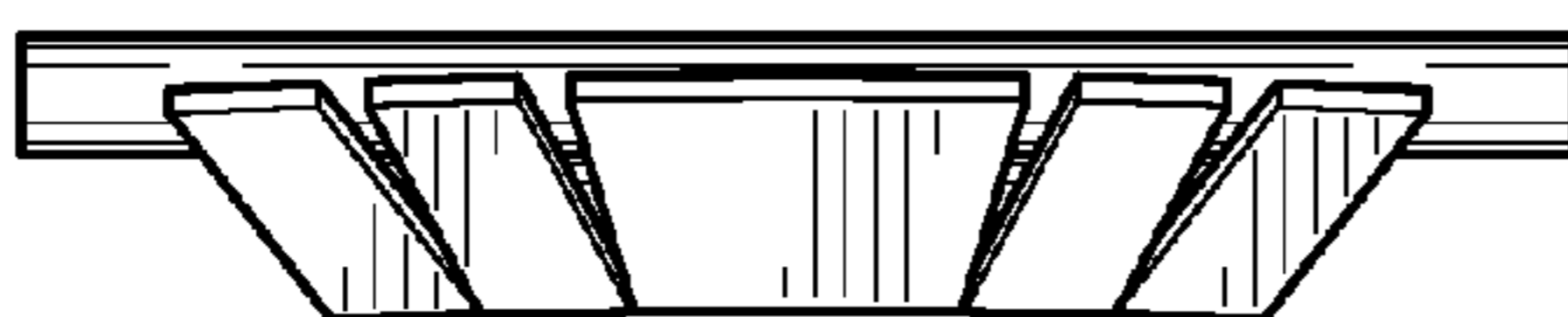


FIG. 6

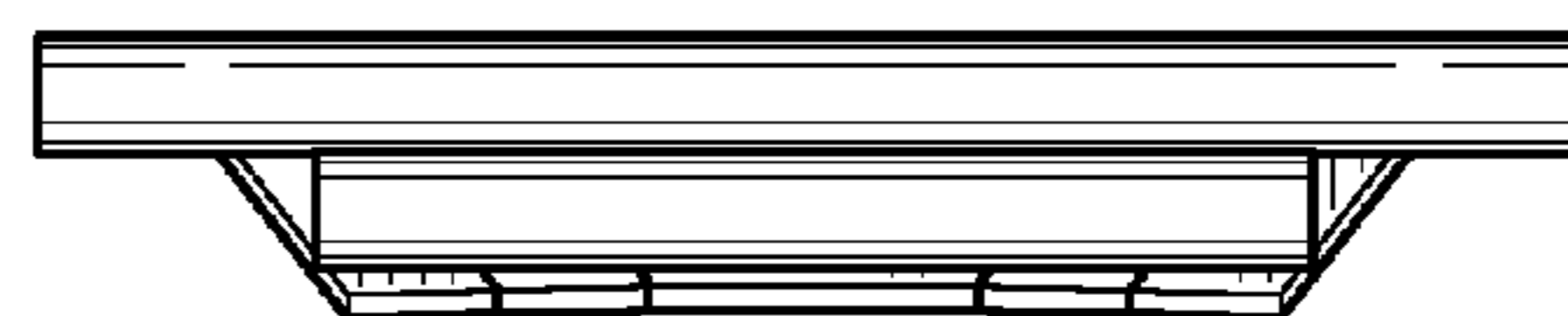


FIG. 7

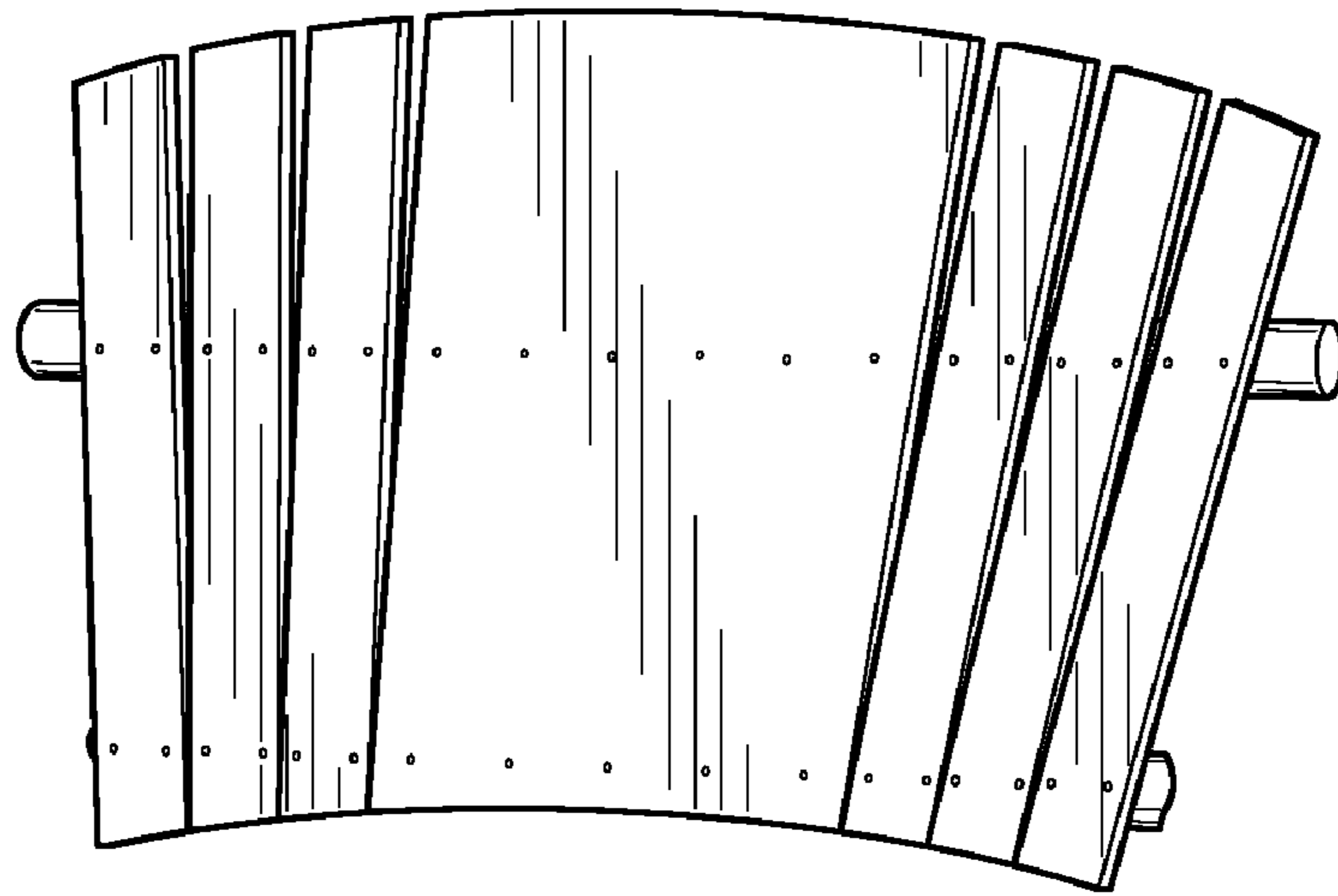


FIG. 8

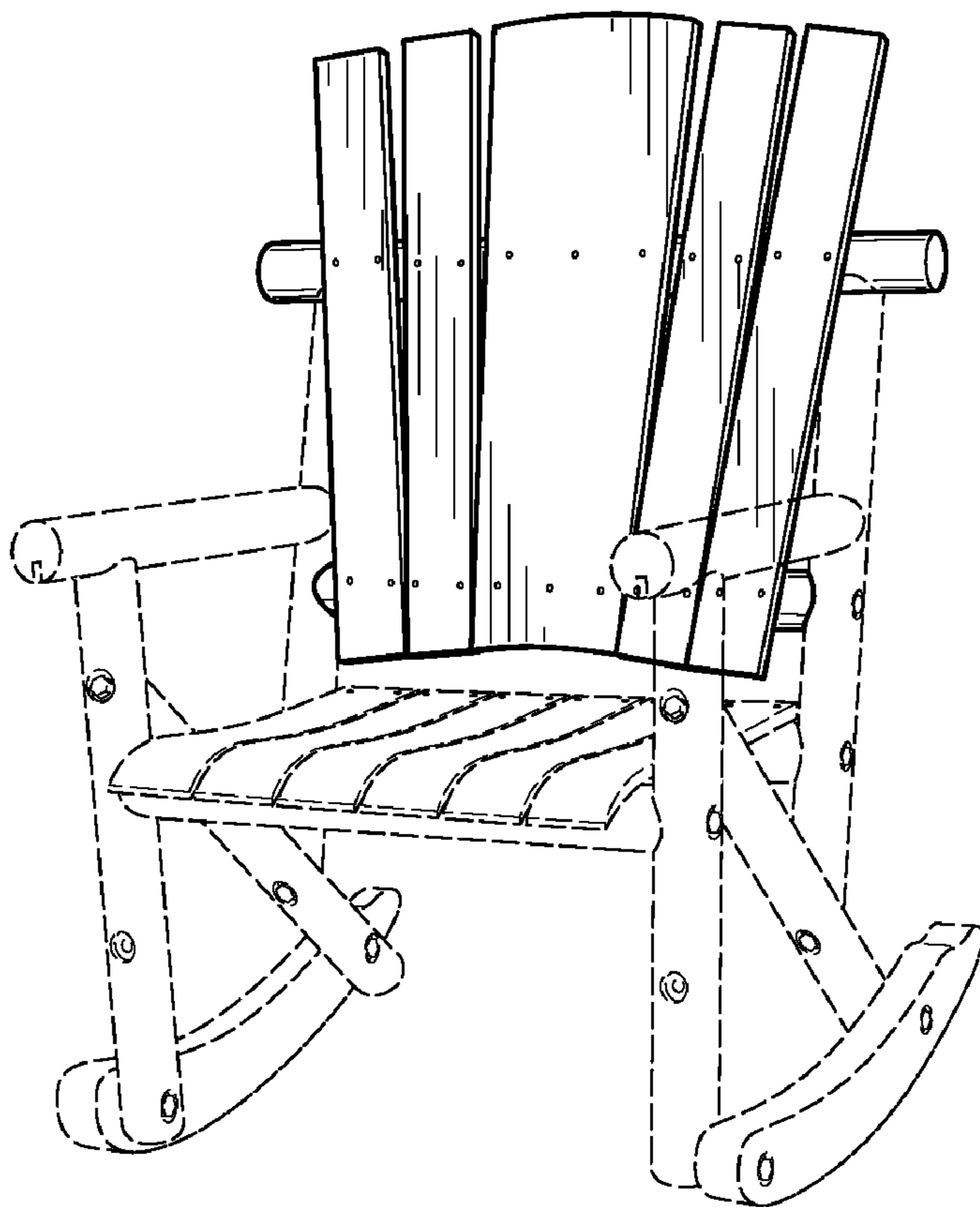


FIG. 9