



US00D577517S

(12) **United States Design Patent**
Kumazawa

(10) **Patent No.:** **US D577,517 S**

(45) **Date of Patent:** **** Sep. 30, 2008**

(54) **DESK**

D399,077 S * 10/1998 Lepper et al. D6/484
D559,592 S * 1/2008 Glass et al. D6/499
D563,697 S * 3/2008 Glass et al. D6/499

(75) Inventor: **Taku Kumazawa**, Ichinomiya (JP)

(73) Assignee: **Aichi Co., Ltd.**, Nagoya-shi, Aichi-ken (JP)

* cited by examiner

(**) Term: **14 Years**

Primary Examiner—Janice E. Seeger
(74) *Attorney, Agent, or Firm*—Davis Bujold & Daniels, P.L.L.C.

(21) Appl. No.: **29/296,722**

(57) **CLAIM**

(22) Filed: **Oct. 26, 2007**

I claim the ornamental design for a desk, as shown and described.

(30) **Foreign Application Priority Data**

Apr. 27, 2007 (JP) 2007-011700
Apr. 27, 2007 (JP) 2007-011706

DESCRIPTION

(51) **LOC (8) Cl.** **06-06**

FIG. 1 is a top, front, right side perspective view of a desk embodying my new design;

(52) **U.S. Cl.** **D6/499**

FIG. 2 is a front elevational view thereof;

(58) **Field of Classification Search** D6/480–489,
D6/495–499, 429–431, 420, 422; 108/150,
108/151, 153.1, 161, 155, 156, 157.1, 144.11,
108/146, 147.19; 248/188, 188.1, 188.7,
248/188.8

FIG. 3 is a right side elevational view thereof, the left side elevational view being a mirror image thereof;

FIG. 4 is a rear elevational view thereof;

See application file for complete search history.

FIG. 5 is a bottom plan view thereof;

FIG. 6 is a top plan view thereof; and,

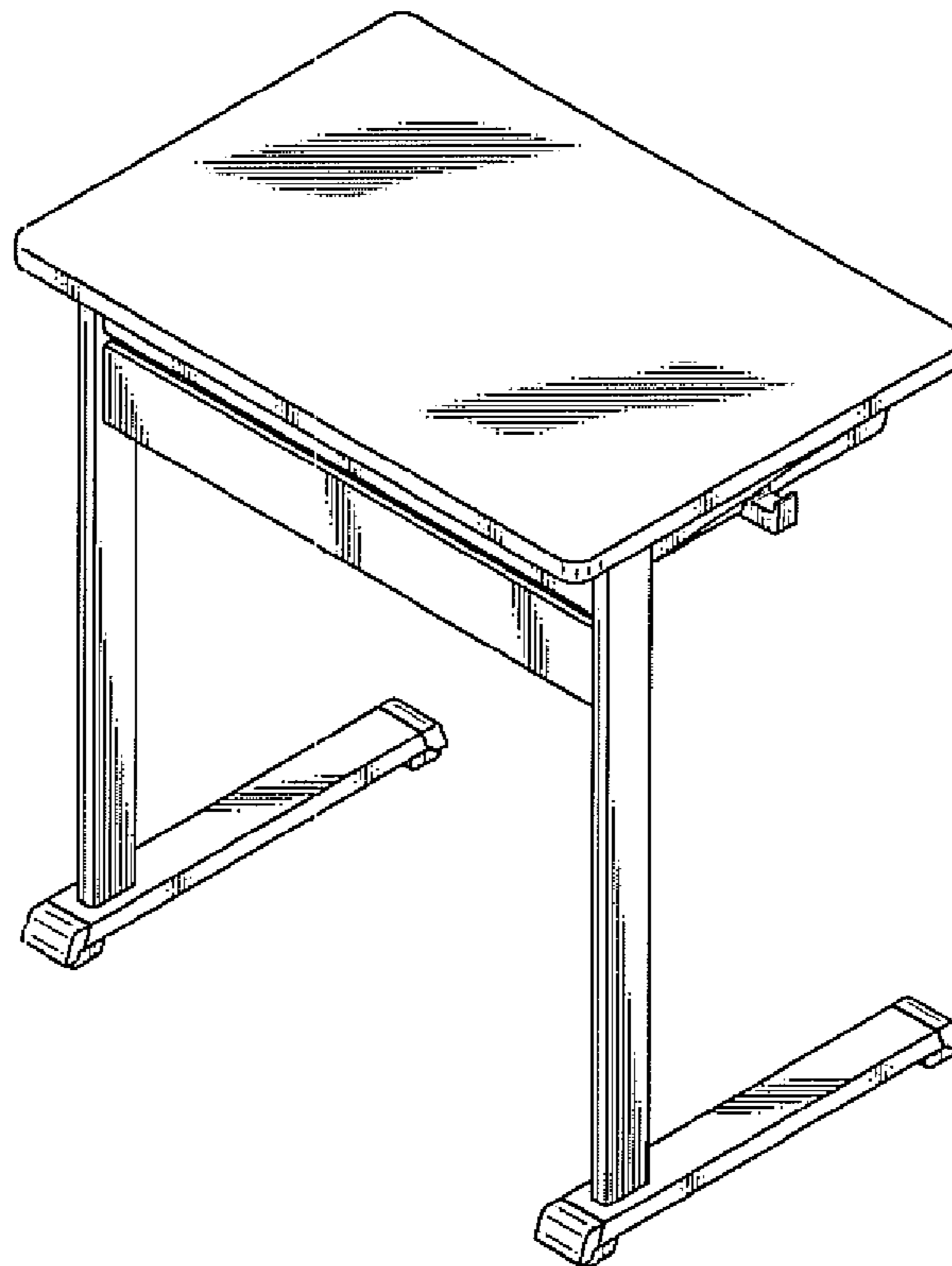
(56) **References Cited**

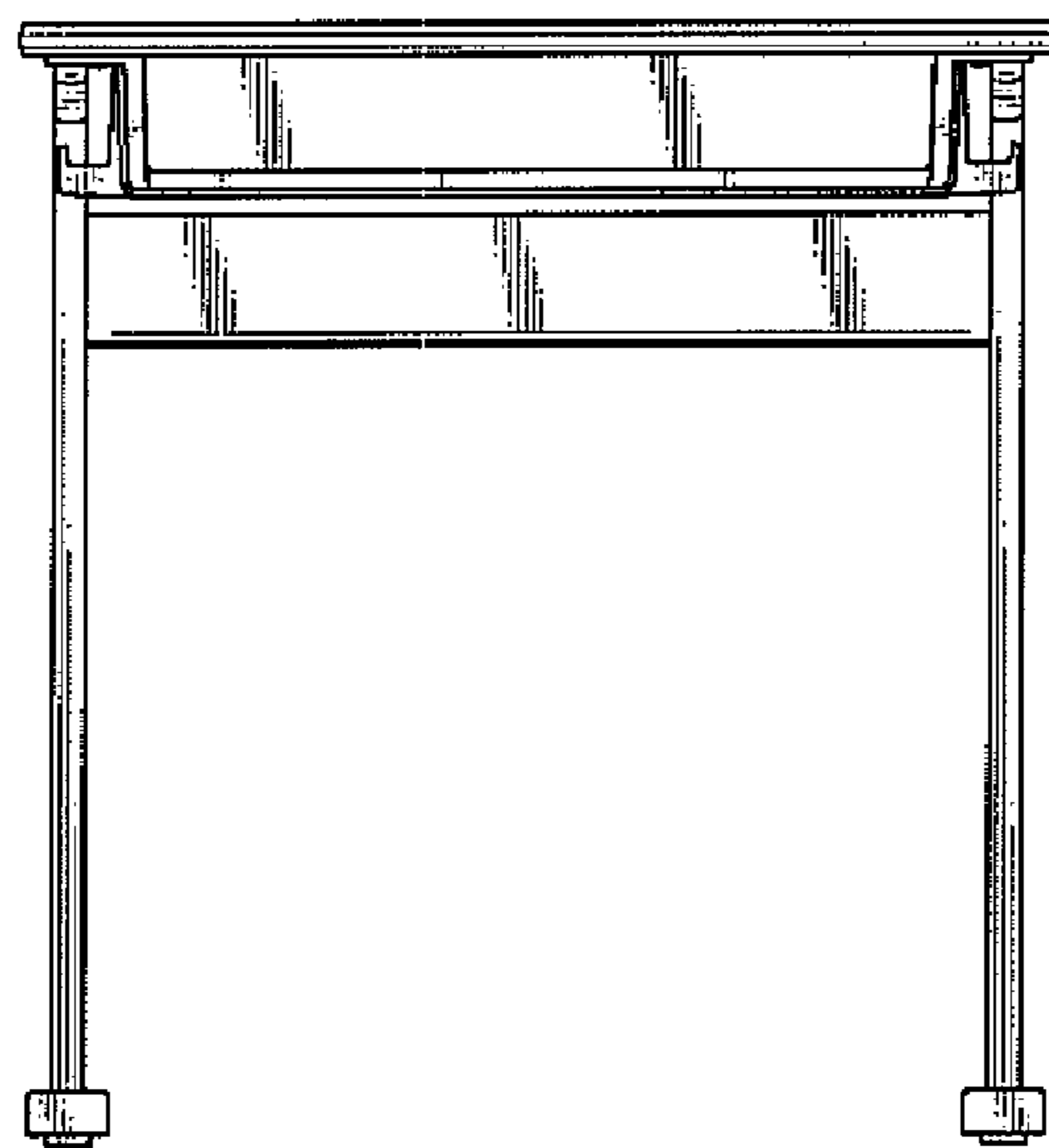
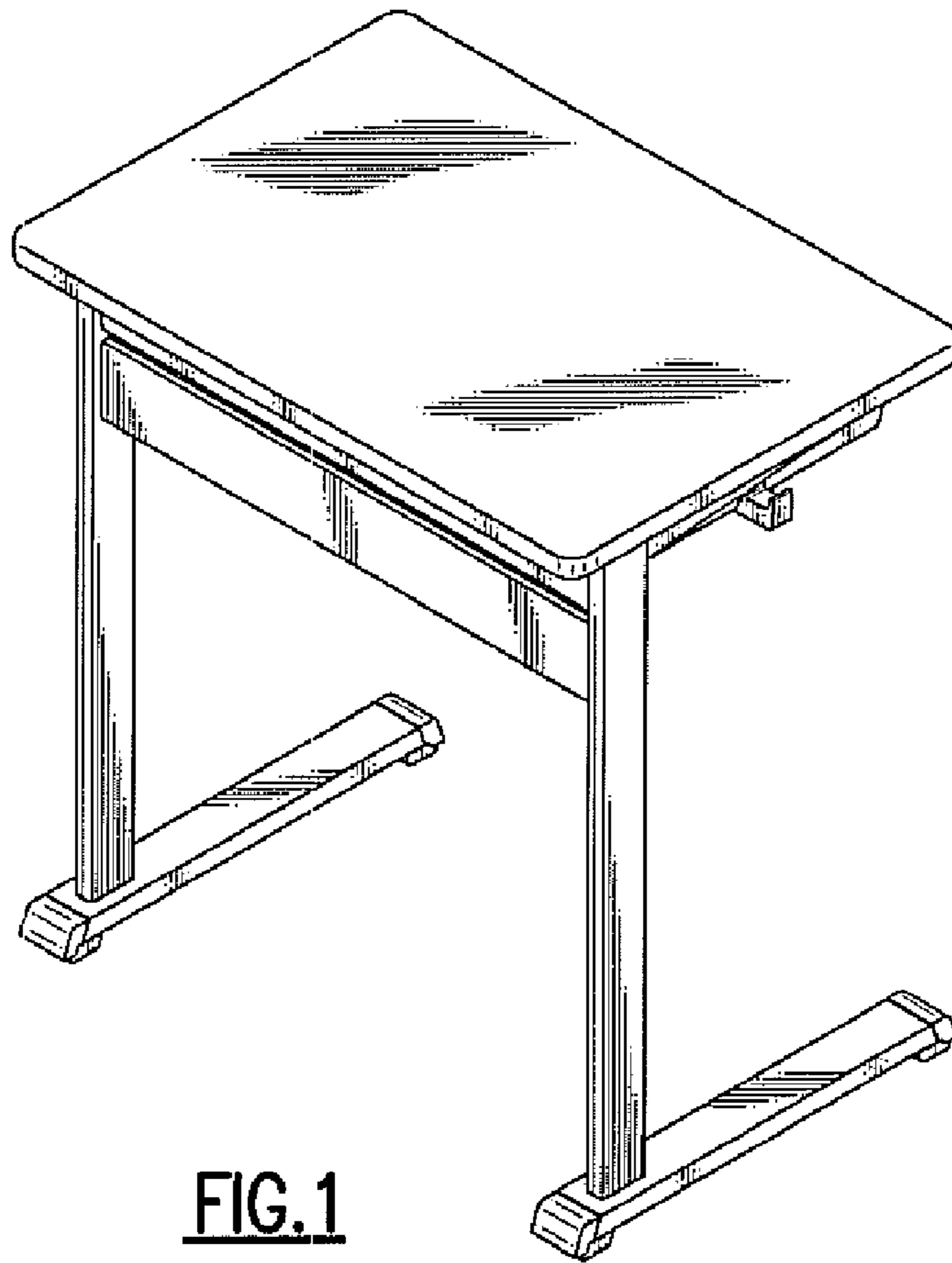
FIG. 7 is a cross sectional view along section line 7—7 of FIG. 2.

U.S. PATENT DOCUMENTS

D273,163 S * 3/1984 Halme D6/420

1 Claim, 2 Drawing Sheets





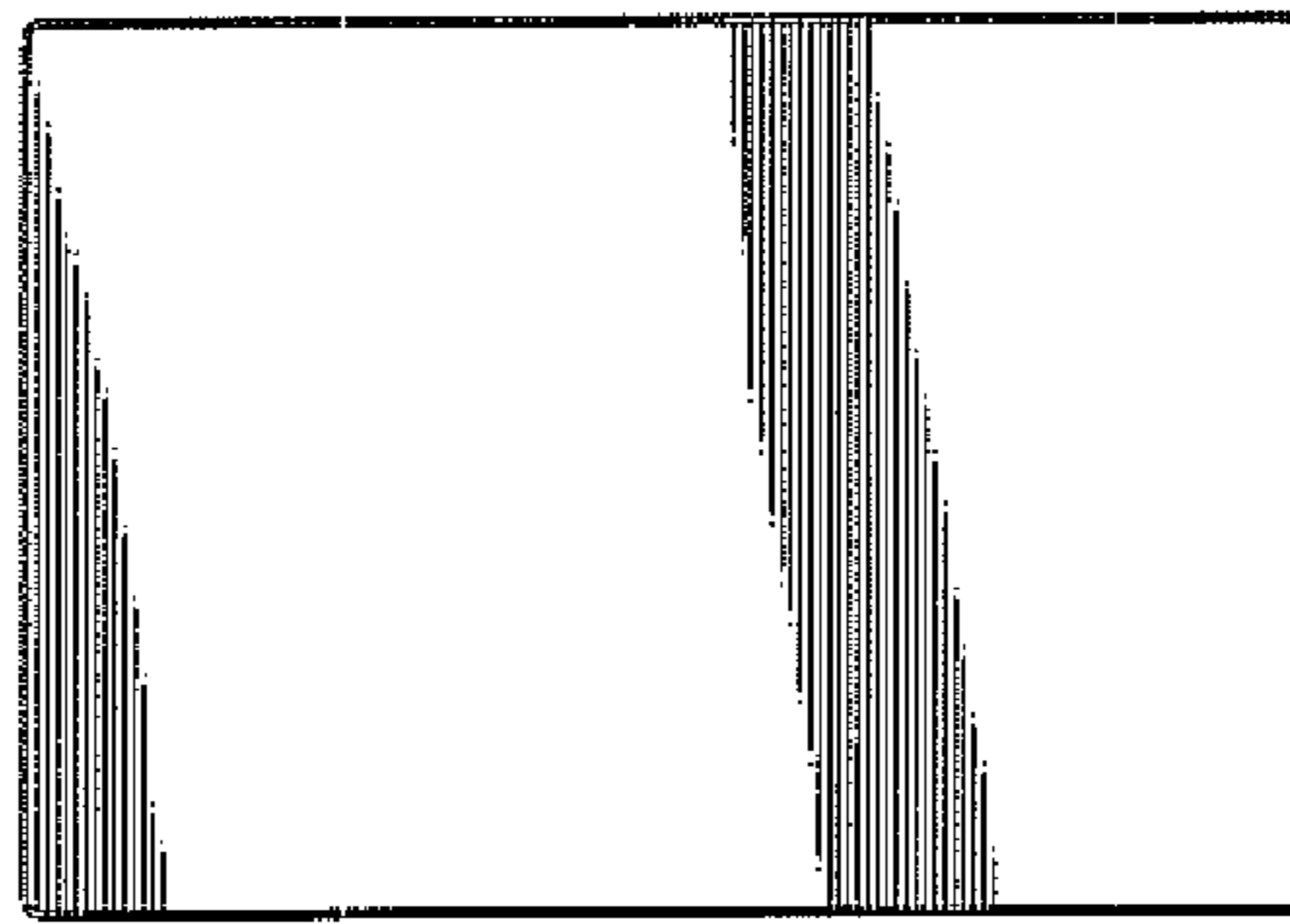


FIG. 6

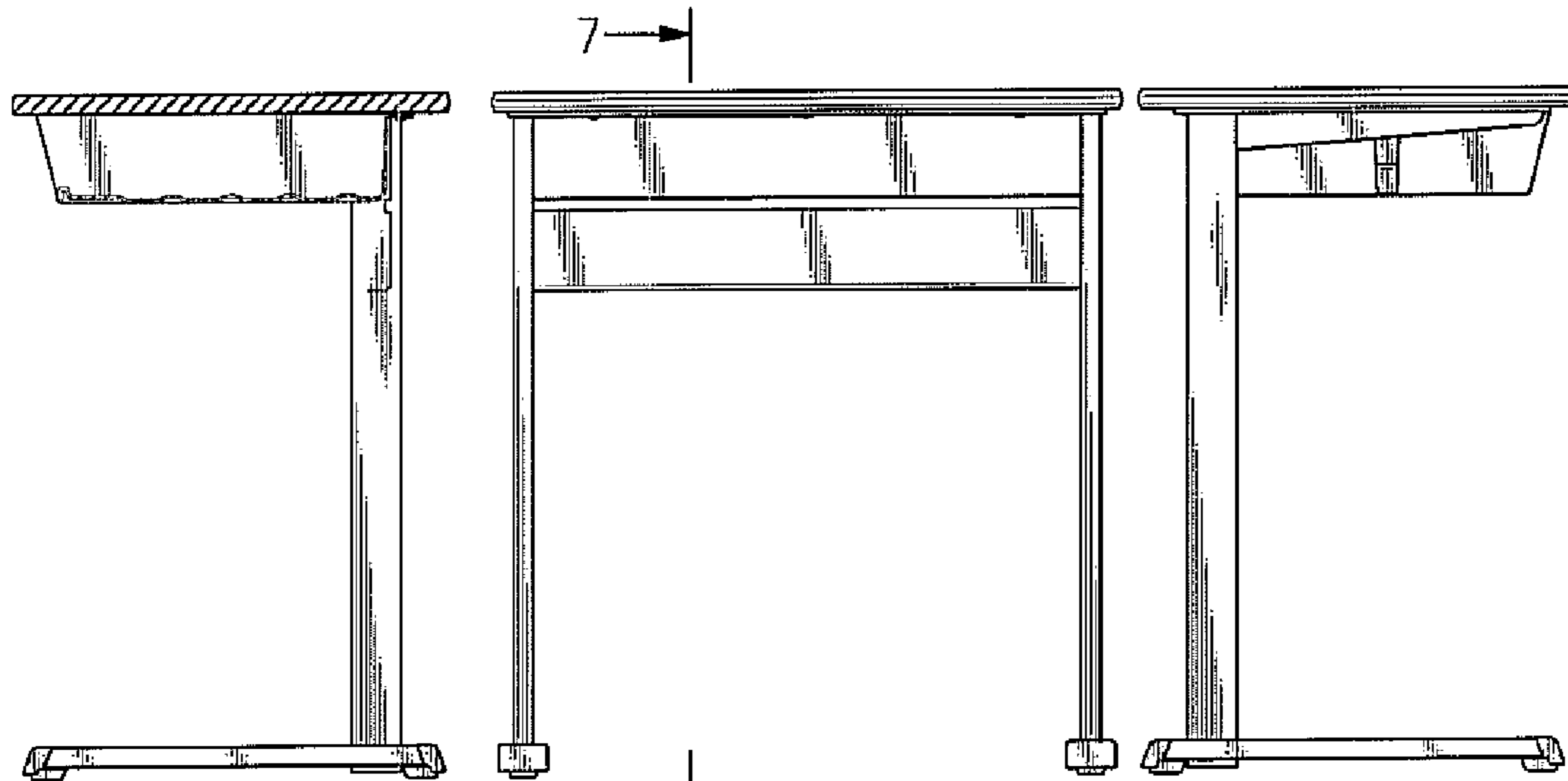


FIG. 7

7 → FIG. 2

FIG. 3

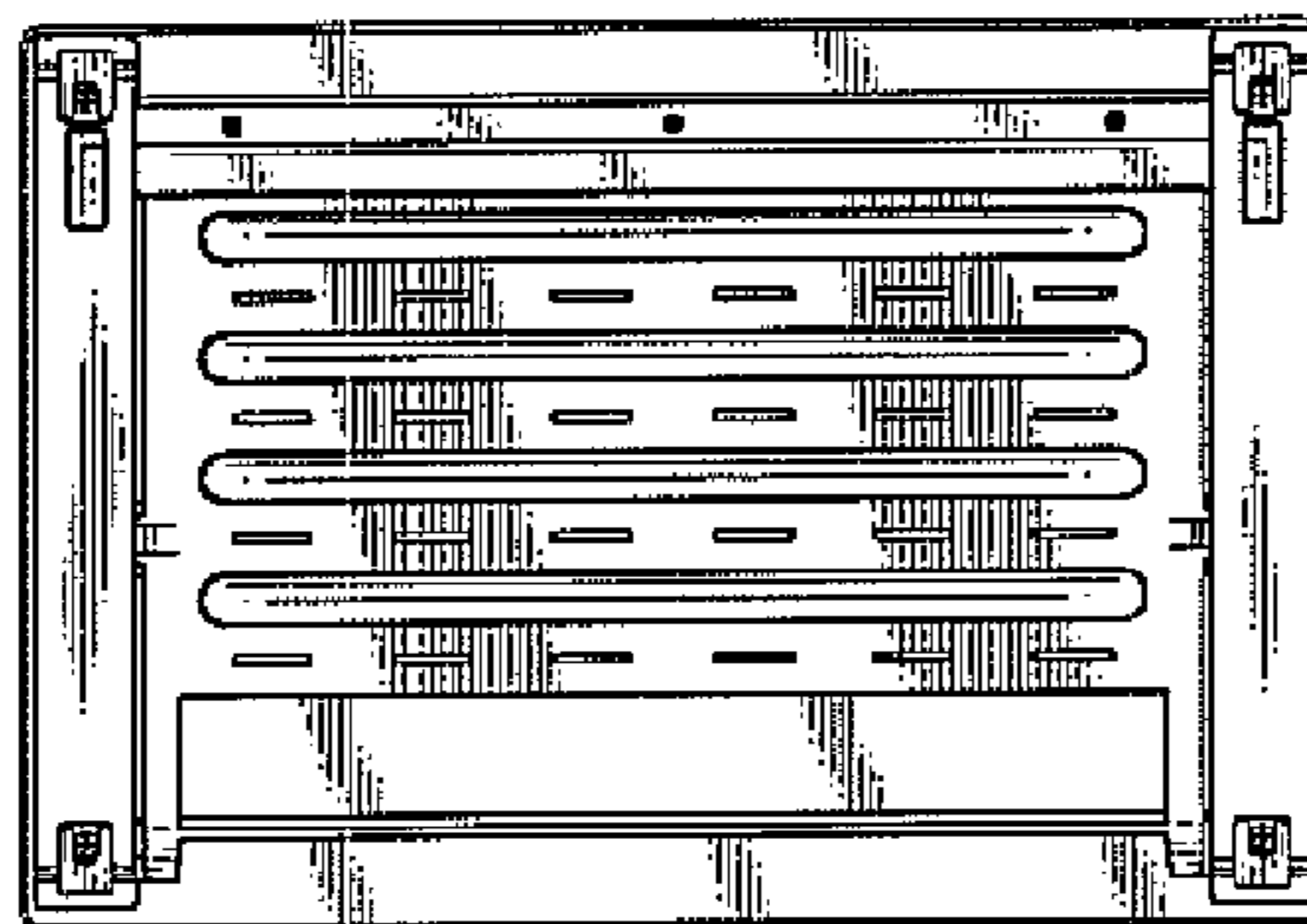


FIG. 5