



US00D577515S

(12) **United States Design Patent**
Januszek

(10) **Patent No.:** **US D577,515 S**

(45) **Date of Patent:** **** Sep. 30, 2008**

(54) **STUDIO MAT RACK**

D326,570 S * 6/1992 Heilman D6/415
5,839,586 A * 11/1998 Smith 211/163
D534,013 S * 12/2006 Jahnke D6/458

(75) Inventor: **Richard Zdzislaw Januszek,**
Peterborough (GB)

FOREIGN PATENT DOCUMENTS

(73) Assignee: **Escape Fitness Limited,** Hampton,
Peterborough (GB)

GB 2069331 A * 8/1981

* cited by examiner

(**) Term: **14 Years**

Primary Examiner—Caron D. Veynar

Assistant Examiner—Sydney R Buffalow

(21) Appl. No.: **29/281,008**

(74) *Attorney, Agent, or Firm*—Richard M. Goldberg

(22) Filed: **Jun. 13, 2007**

(57) **CLAIM**

(30) **Foreign Application Priority Data**

The ornamental design for a studio mat rack, as shown and described.

Dec. 15, 2006 (EM) 000641345-0002

DESCRIPTION

(51) **LOC (8) Cl.** **06-04**

FIG. 1 is a perspective view of the studio mat rack of my design;

(52) **U.S. Cl.** **D6/462**

(58) **Field of Classification Search** D6/491,
D6/466–468, 475, 457, 458, 416, 462, 449,
D6/396; 211/13.1, 85.2, 49.1, 53, 163, 166,
211/95, 40, 85.5, 56, 58, 131.1

FIG. 2 is a right side elevational view thereof, with the left side elevational view being a mirror image thereof;

See application file for complete search history.

FIG. 3 is a front elevational view thereof, with the rear elevational view being a mirror image thereof;

(56) **References Cited**

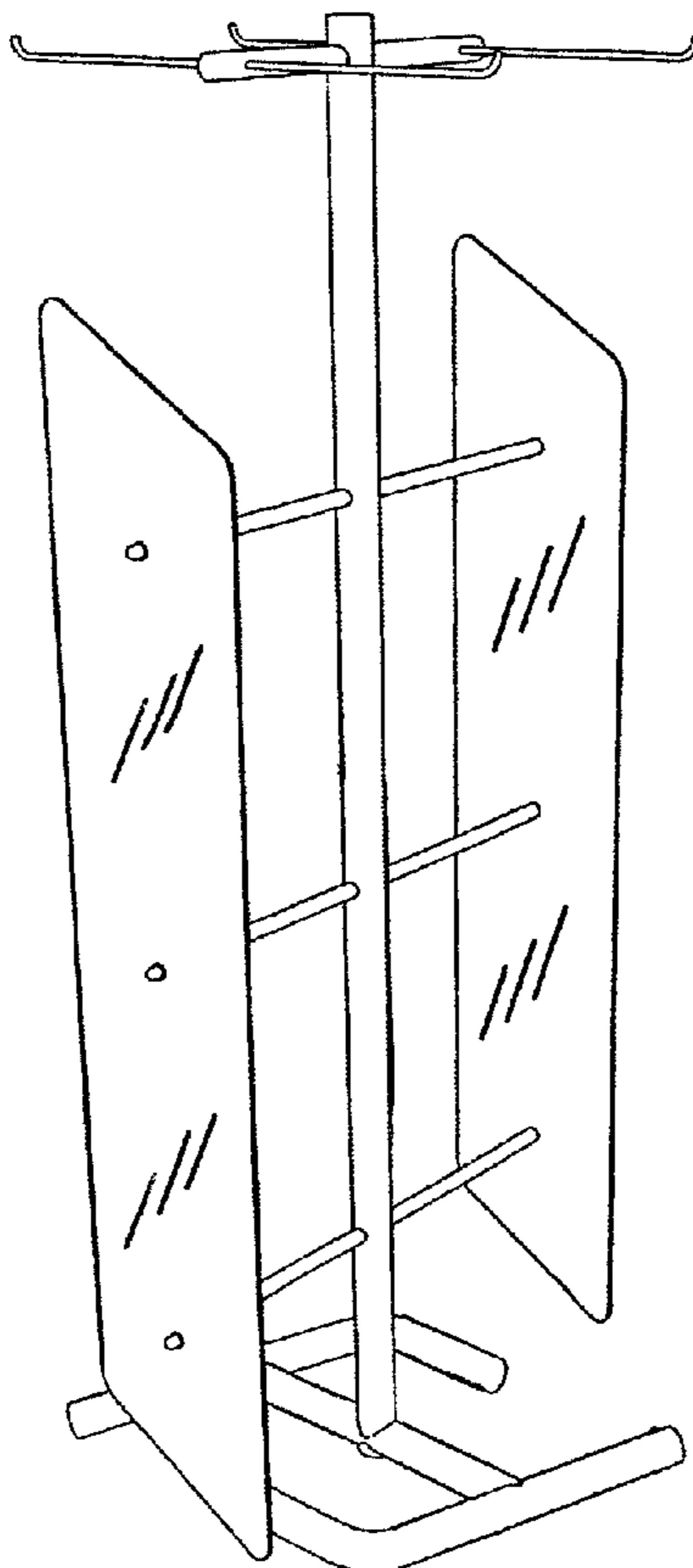
FIG. 4 is a top plan view thereof; and,

U.S. PATENT DOCUMENTS

FIG. 5 is a bottom plan view thereof.

D201,514 S * 6/1965 Kutner D6/458

1 Claim, 3 Drawing Sheets



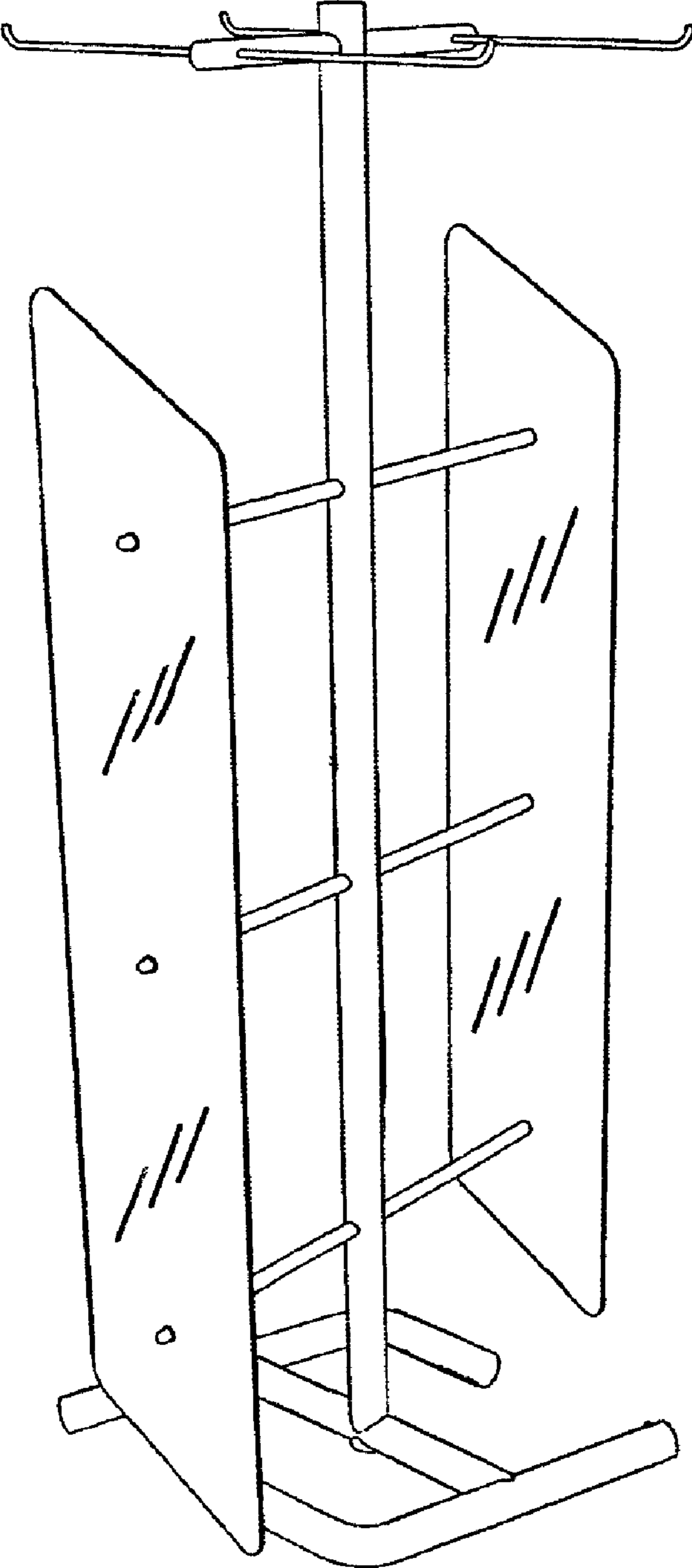


FIG. 1

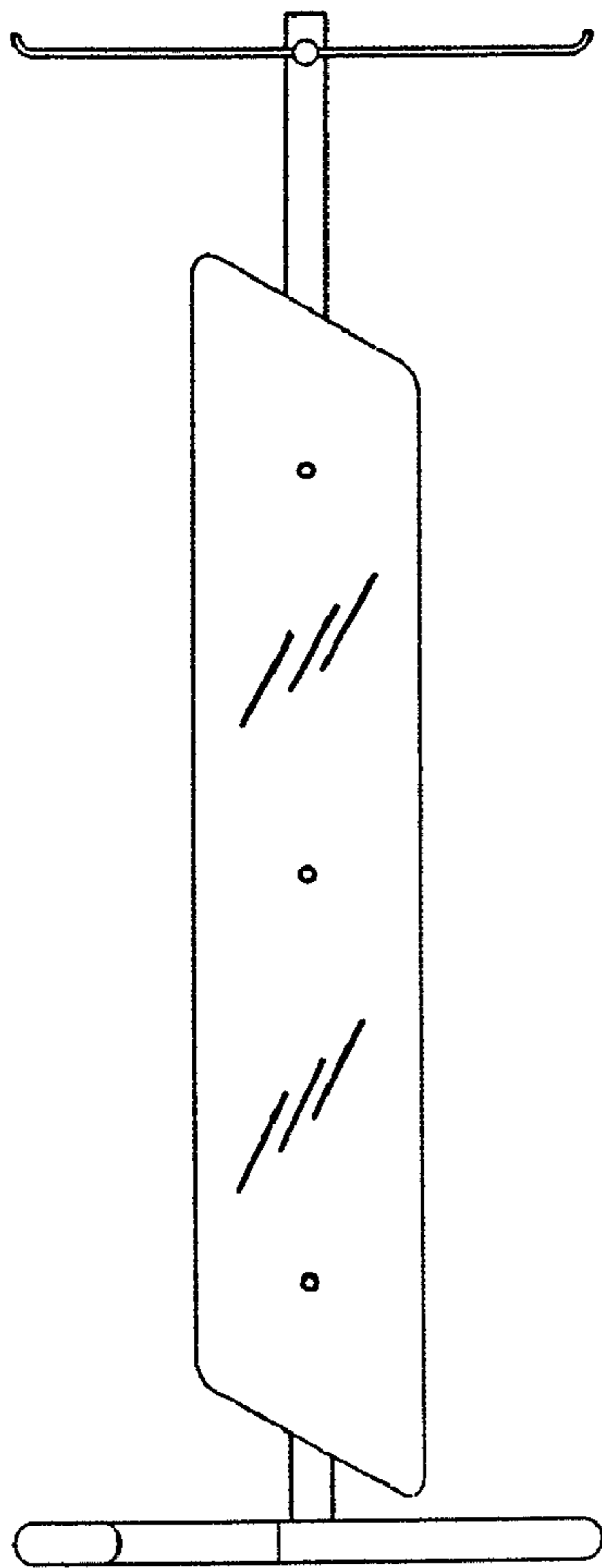


FIG. 2

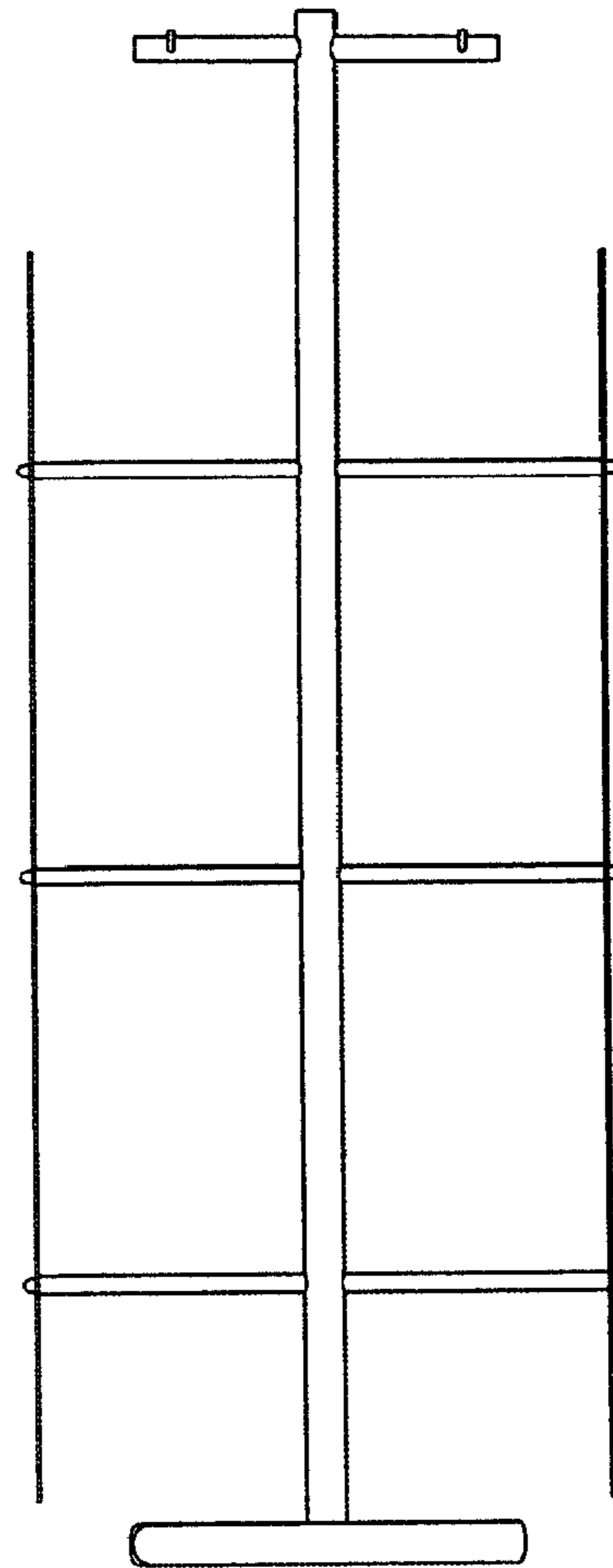


FIG. 3

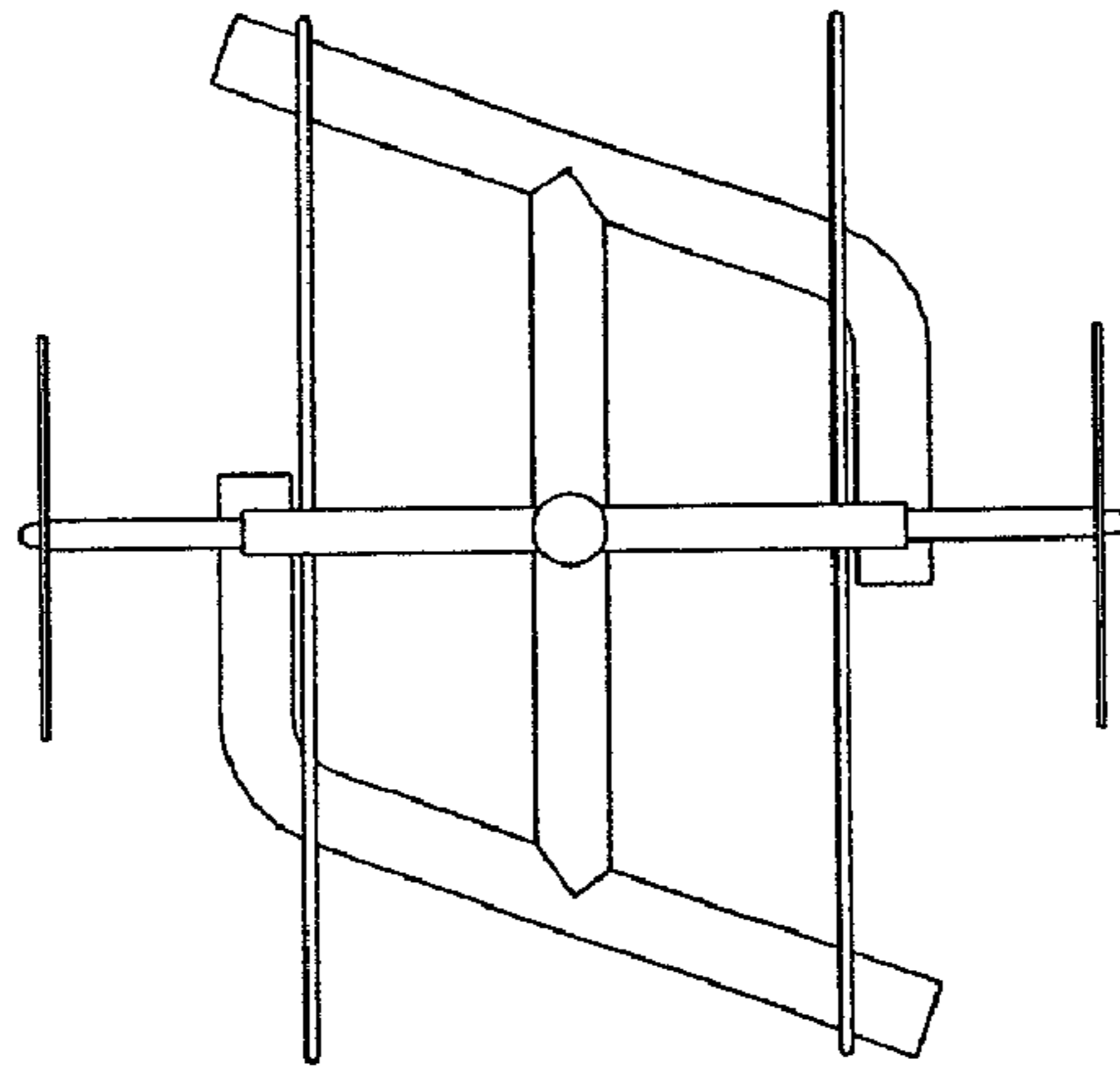


FIG. 4

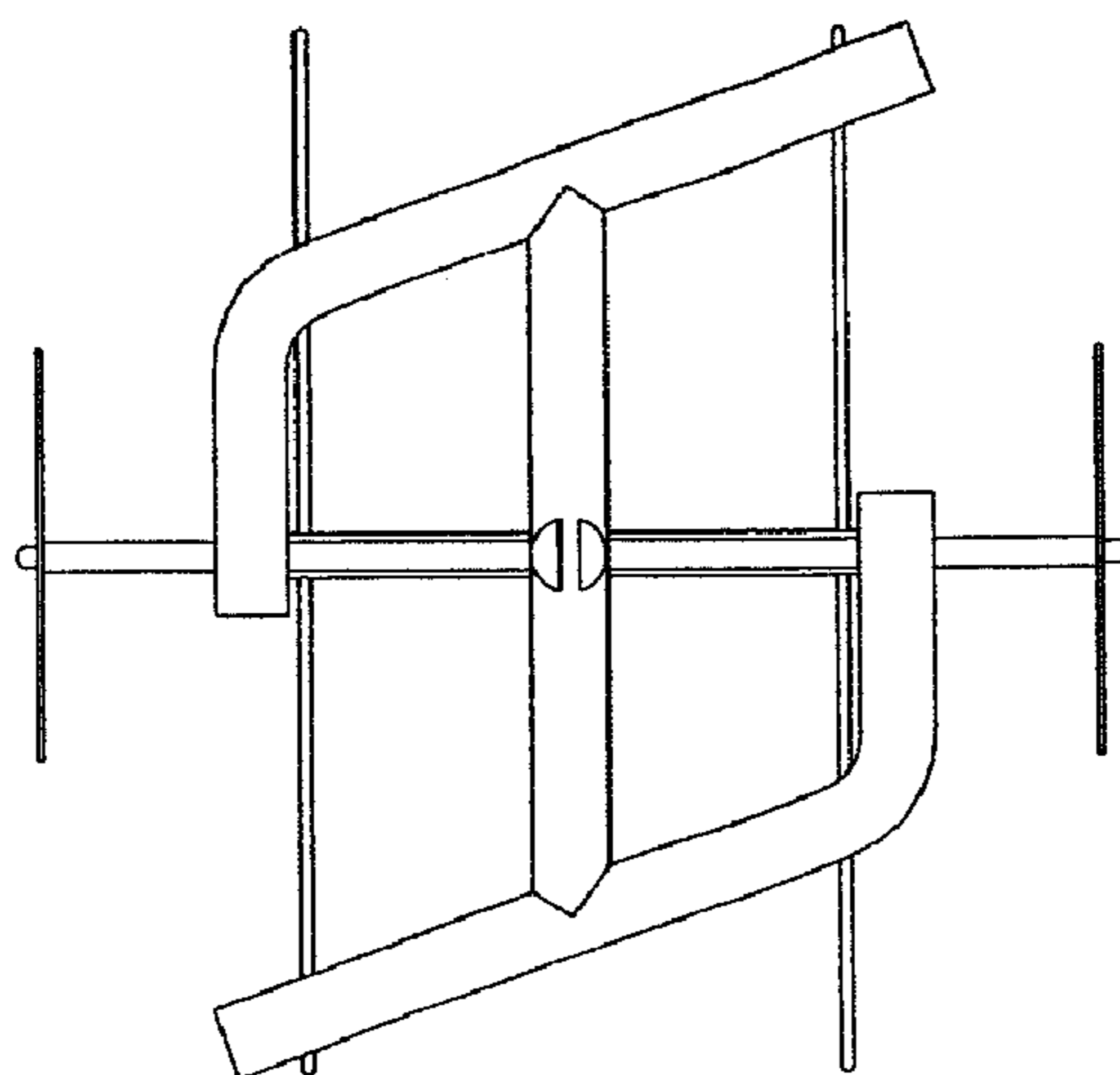


FIG. 5