



US00D577514S

(12) **United States Design Patent**
Dimauro

(10) **Patent No.:** **US D577,514 S**

(45) **Date of Patent:** **** Sep. 30, 2008**

(54) **TABLE**

(76) **Inventor:** **Ronald F. Dimauro**, 11 Howland Ave.,
Jamestown, RI (US) 02835

(**) **Term:** **14 Years**

(21) **Appl. No.:** **29/270,585**

(22) **Filed:** **Dec. 28, 2006**

(51) **LOC (8) Cl.** **06-03**

(52) **U.S. Cl.** **D6/451**

(58) **Field of Classification Search** D6/480-489,
D6/495-499, 451, 452, 429-431; 108/150,
108/151, 153.1, 155, 156, 157.1, 161; 248/188,
248/188.1, 188.7, 188.8

See application file for complete search history.

(56) **References Cited**

U.S. PATENT DOCUMENTS

- D162,247 S * 2/1951 Smith D6/451
- D256,408 S * 8/1980 Nakisbendi D6/361
- D332,019 S * 12/1992 Loznikov D6/484
- D360,546 S * 7/1995 Gibson D6/451

D547,975 S * 8/2007 Ligthart D6/482

* cited by examiner

Primary Examiner—Janice E Seeger

(74) *Attorney, Agent, or Firm*—Taylor Russell & Russell, PC

(57) **CLAIM**

The ornamental design for a table, as shown and described.

DESCRIPTION

A portion of the disclosure of this patent document contains material to which a claim for copyright is made. The copyright owner has no objection to the facsimile reproduction by anyone of the patent document or the patent disclosure, as it appears in the Patent and Trademark Office patent file or records, but reserves all other copyrights whatsoever.

FIG. 1 is a perspective view of the table;

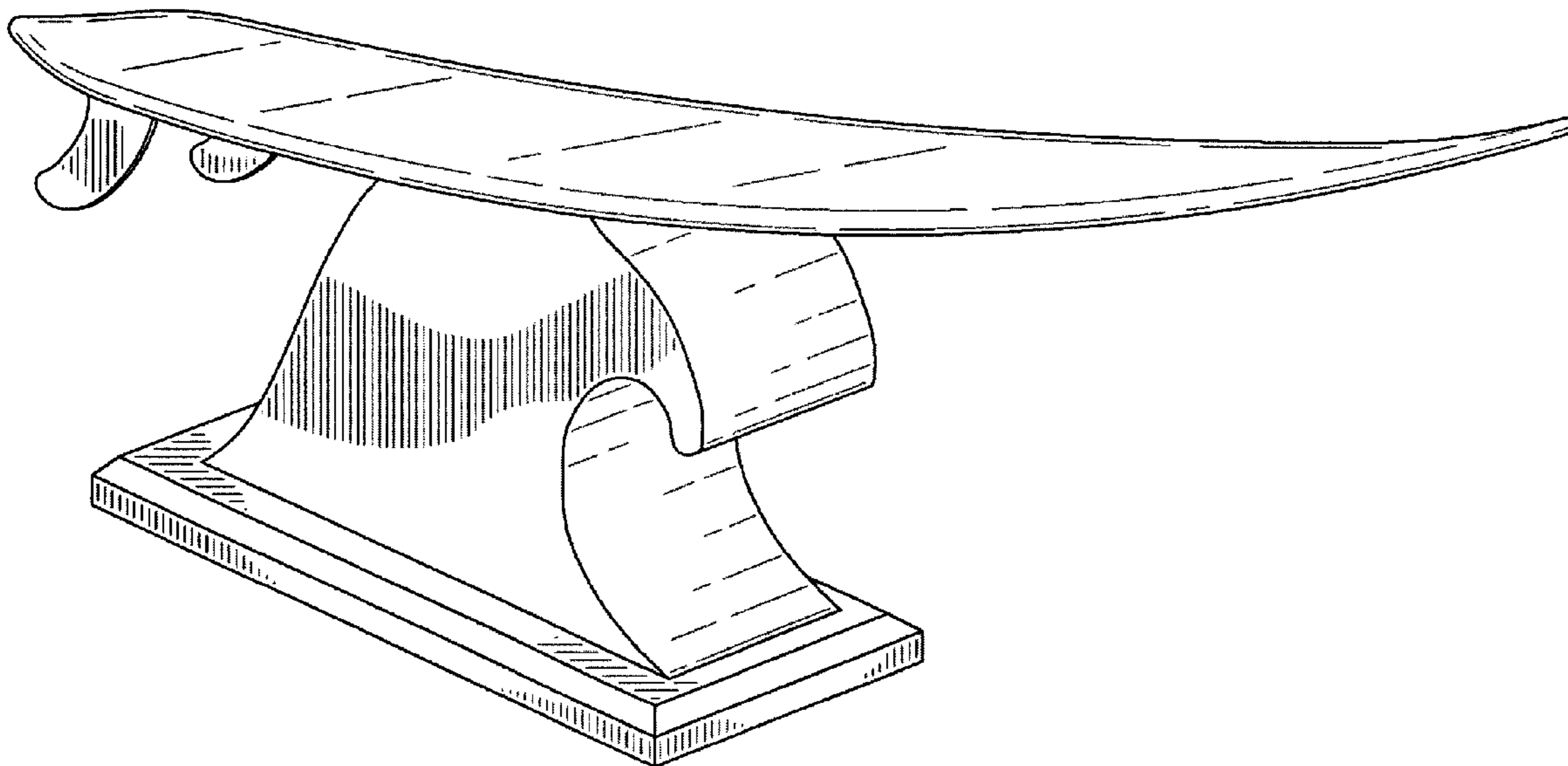
FIG. 2 is a left side view of the table;

FIG. 3 is a front view of the table;

FIG. 4 is a right side view of the table; and,

FIG. 5 is a rear view of the table.

1 Claim, 2 Drawing Sheets



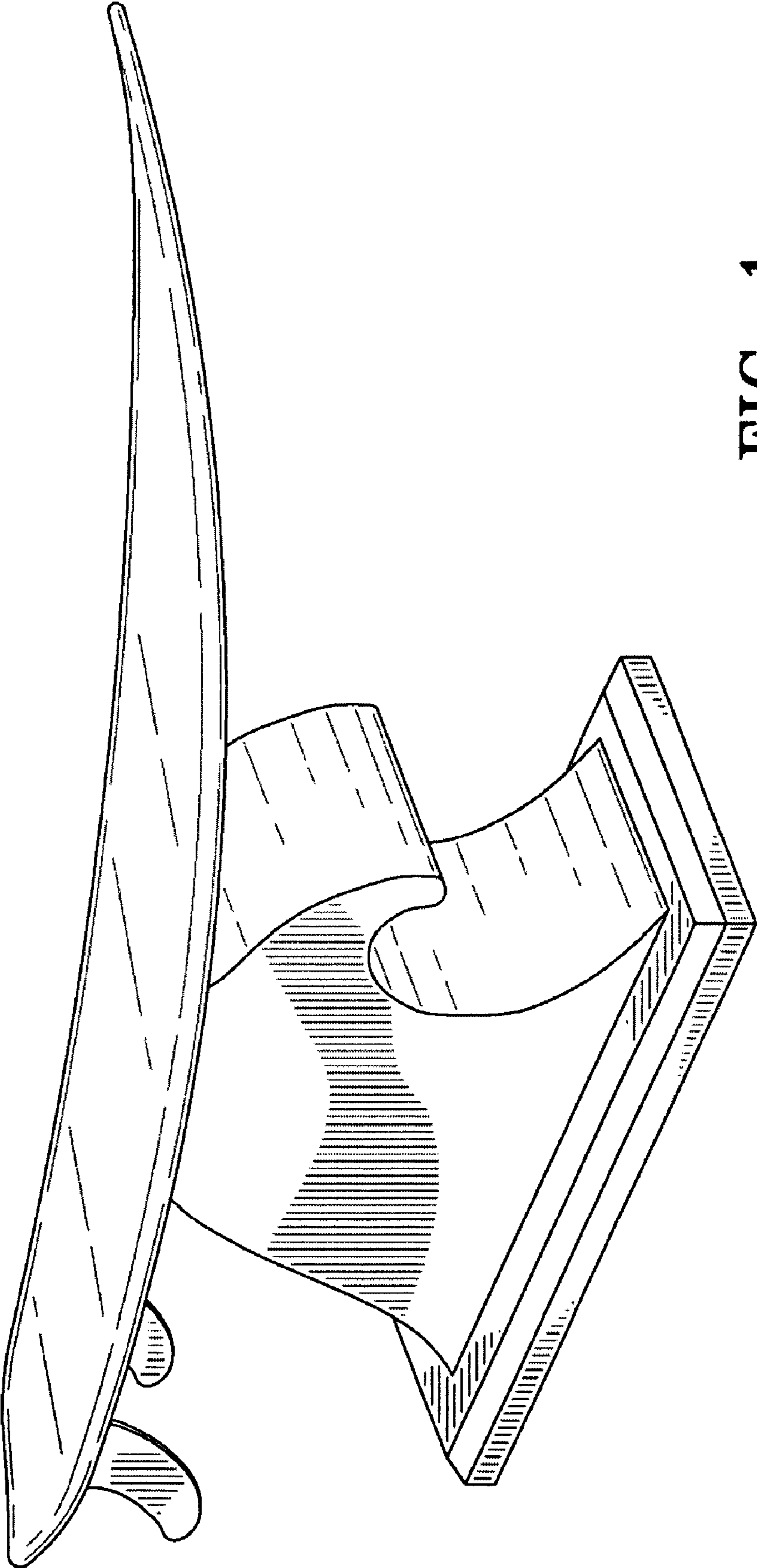


FIG-1

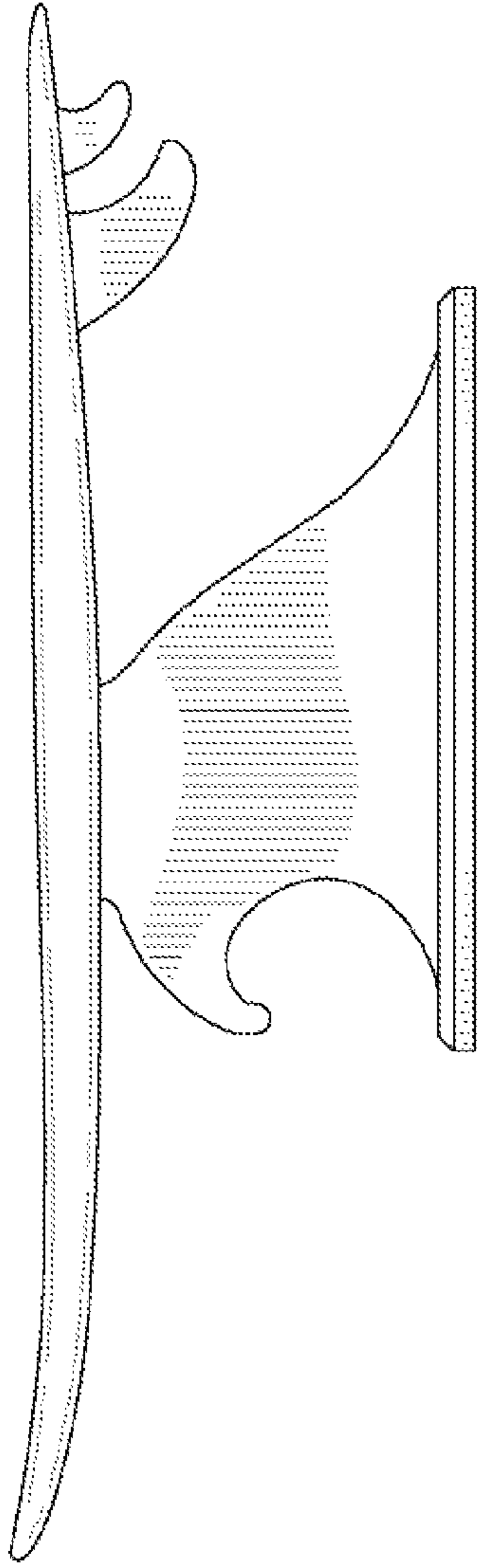


FIG-2

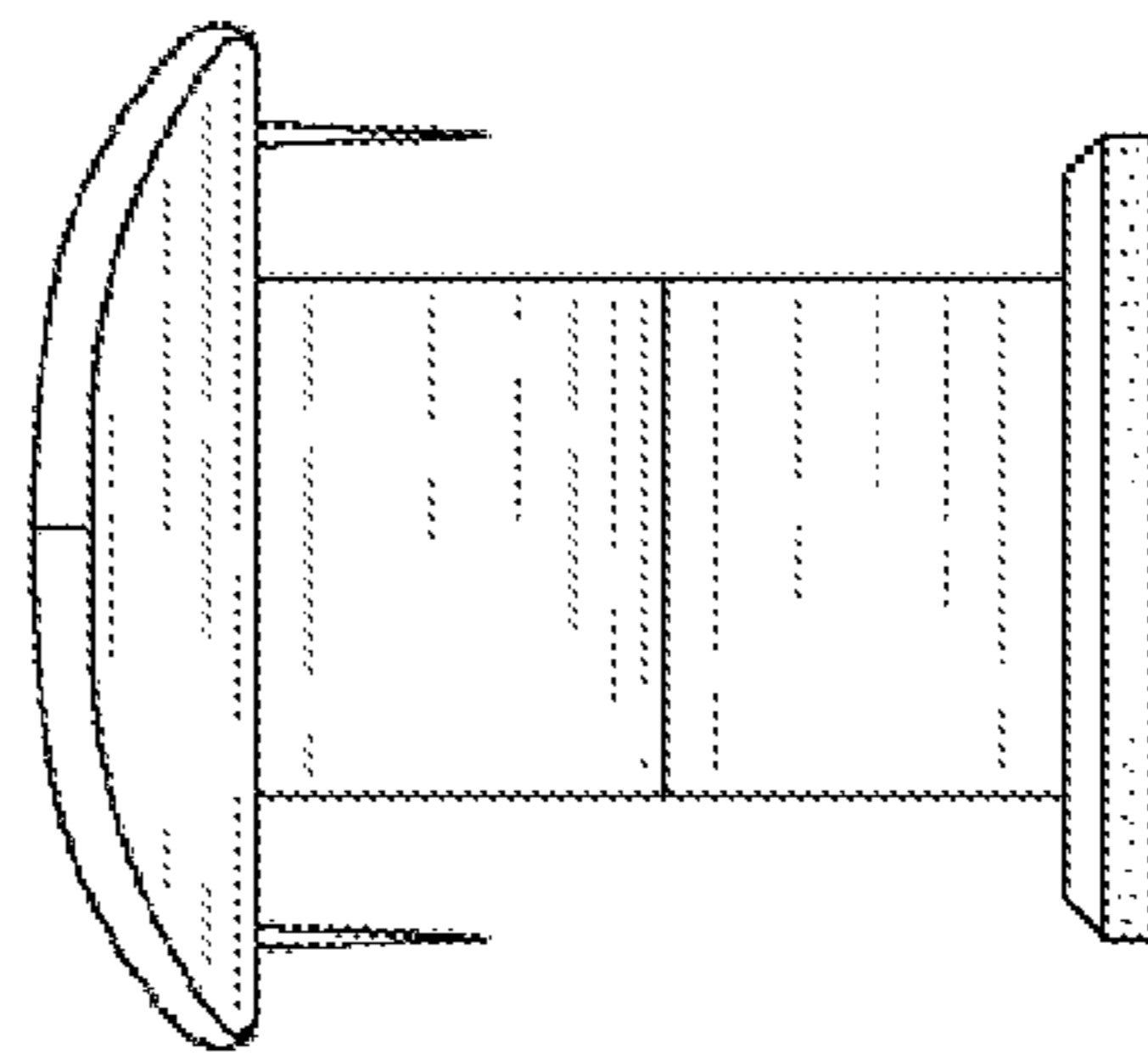


FIG-3

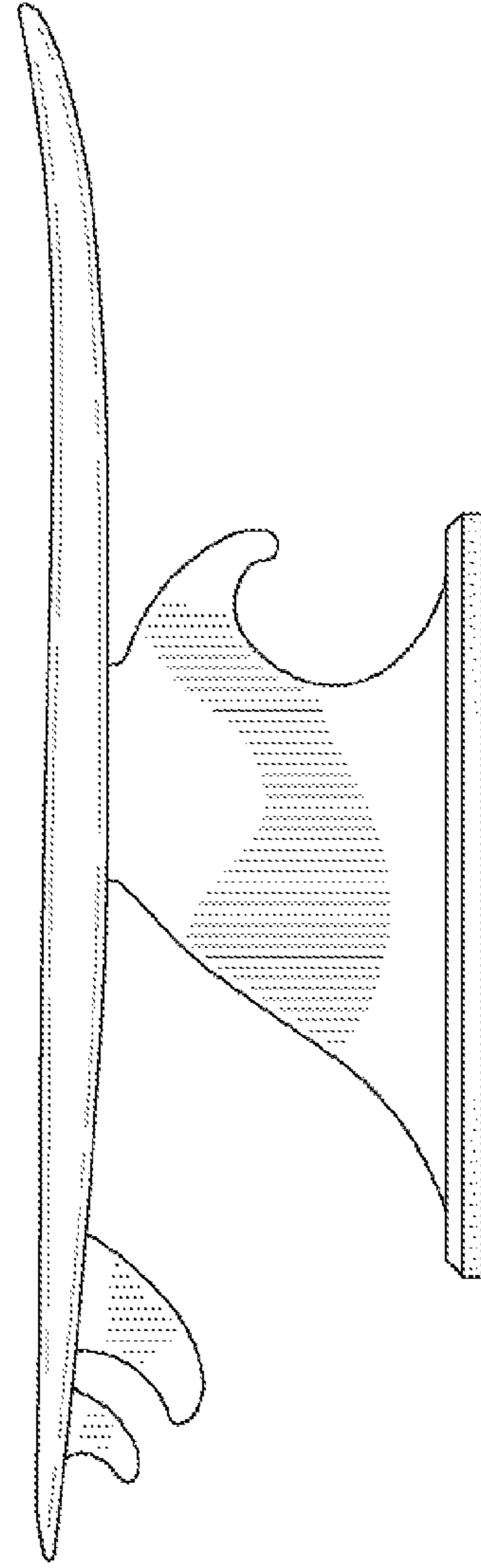


FIG-4

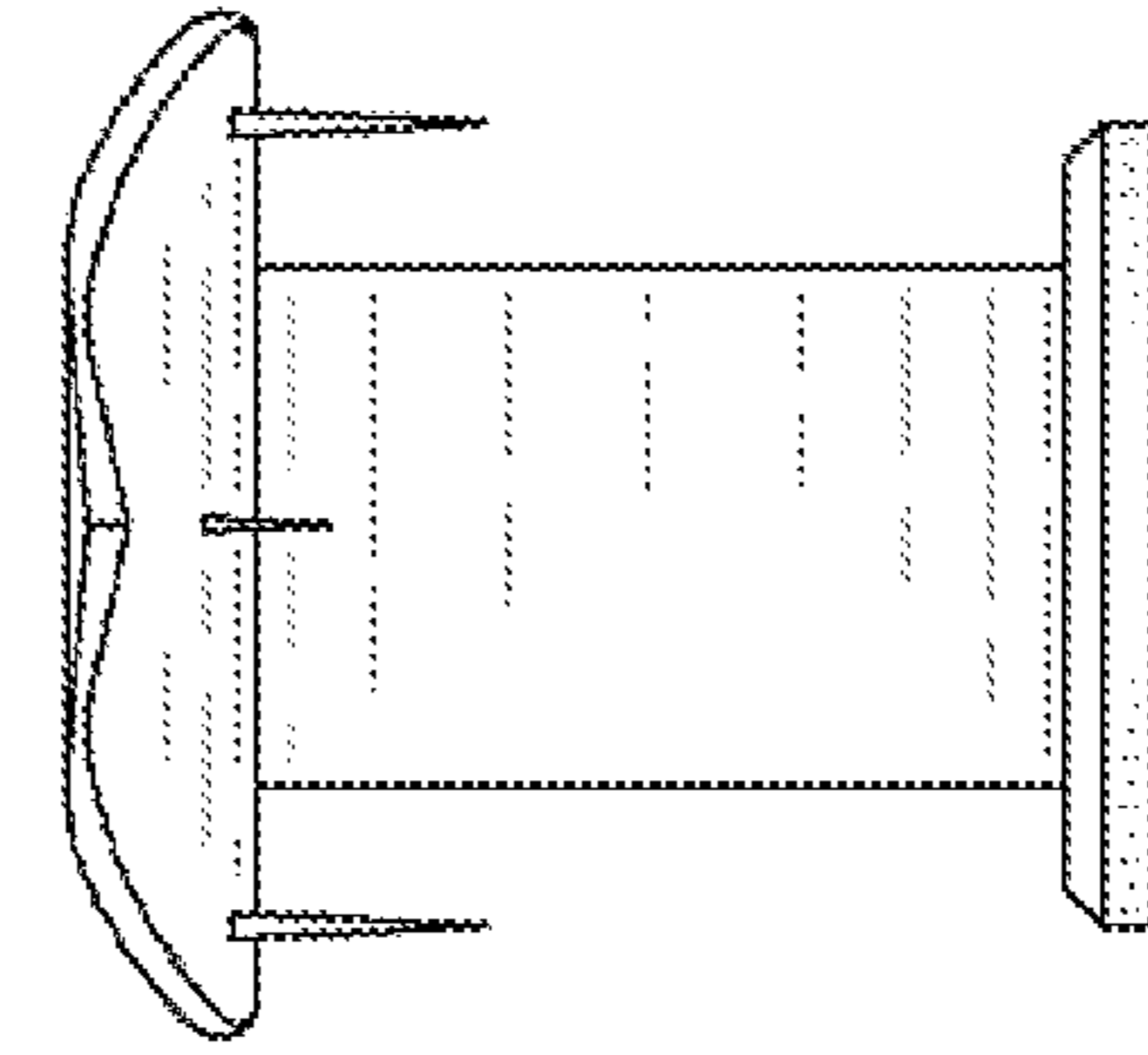


FIG-5