



US00D577513S

(12) **United States Design Patent**
Walker et al.

(10) **Patent No.:** **US D577,513 S**
(45) **Date of Patent:** **** Sep. 30, 2008**

(54) **DISPLAY STAND**

(75) Inventors: **Simon Walker**, Surrey (CA); **Wei Min (Karen) Zhu**, Surrey (CA); **Jianzhong Zhu**, Suzhou (CN); **Jianming Gu**, Suzhou (CN)

(73) Assignee: **Peak Innovations Inc.**, Richmond (CA)

(**) Term: **14 Years**

(21) Appl. No.: **29/298,969**

(22) Filed: **Dec. 17, 2007**

(51) **LOC (8) Cl.** **06-07**

(52) **U.S. Cl.** **D6/449**

(58) **Field of Classification Search** D6/449,
D6/431, 467, 468, 407, 466, 396, 511; 211/153,
211/74, 59.2, 85.13, 85.18, 13.1; 422/99,
422/101; 206/739; 361/756; D19/92
See application file for complete search history.

(56) **References Cited**

U.S. PATENT DOCUMENTS

D226,892	S	*	5/1973	Degennaro	D6/431
3,927,769	A	*	12/1975	Maslow et al.	211/153
4,495,150	A	*	1/1985	Cook et al.	422/99
4,588,095	A	*	5/1986	Mehra	211/74
D308,777	S	*	6/1990	Gambello	D6/467
4,947,984	A	*	8/1990	Kaufman et al.	206/739
D367,972	S	*	3/1996	Valls et al.	D6/468
D377,425	S	*	1/1997	Stravitz	D6/407
5,598,933	A	*	2/1997	Lessard et al.	211/74
5,695,075	A	*	12/1997	Flum et al.	211/59.2

6,442,035	B1	*	8/2002	Perry et al.	361/756
D496,541	S	*	9/2004	Wang	D6/466
D511,916	S	*	11/2005	Shapiro	D6/511
D523,088	S	*	6/2006	Chien	D19/92
D537,653	S	*	3/2007	Liu	D6/467
7,191,904	B2	*	3/2007	Wescott, III	211/74
2005/0161414	A1	*	7/2005	Wescott, III	211/74

OTHER PUBLICATIONS

Pacific Rim Brackets Ltd., 2006 Catalogue, "Shepherd Hook/Trellis Display"; Code: DS02, P.O.P. p. 2, Vancouver, Canada.

* cited by examiner

Primary Examiner—Caron D. Veynar

Assistant Examiner—Sydney R Buffalow

(74) *Attorney, Agent, or Firm*—Mark Hopkinson

(57) **CLAIM**

The ornamental design for a display stand, as shown and described.

DESCRIPTION

FIG. 1 is a perspective view of the design;

FIG. 2 is a top plan view of the design;

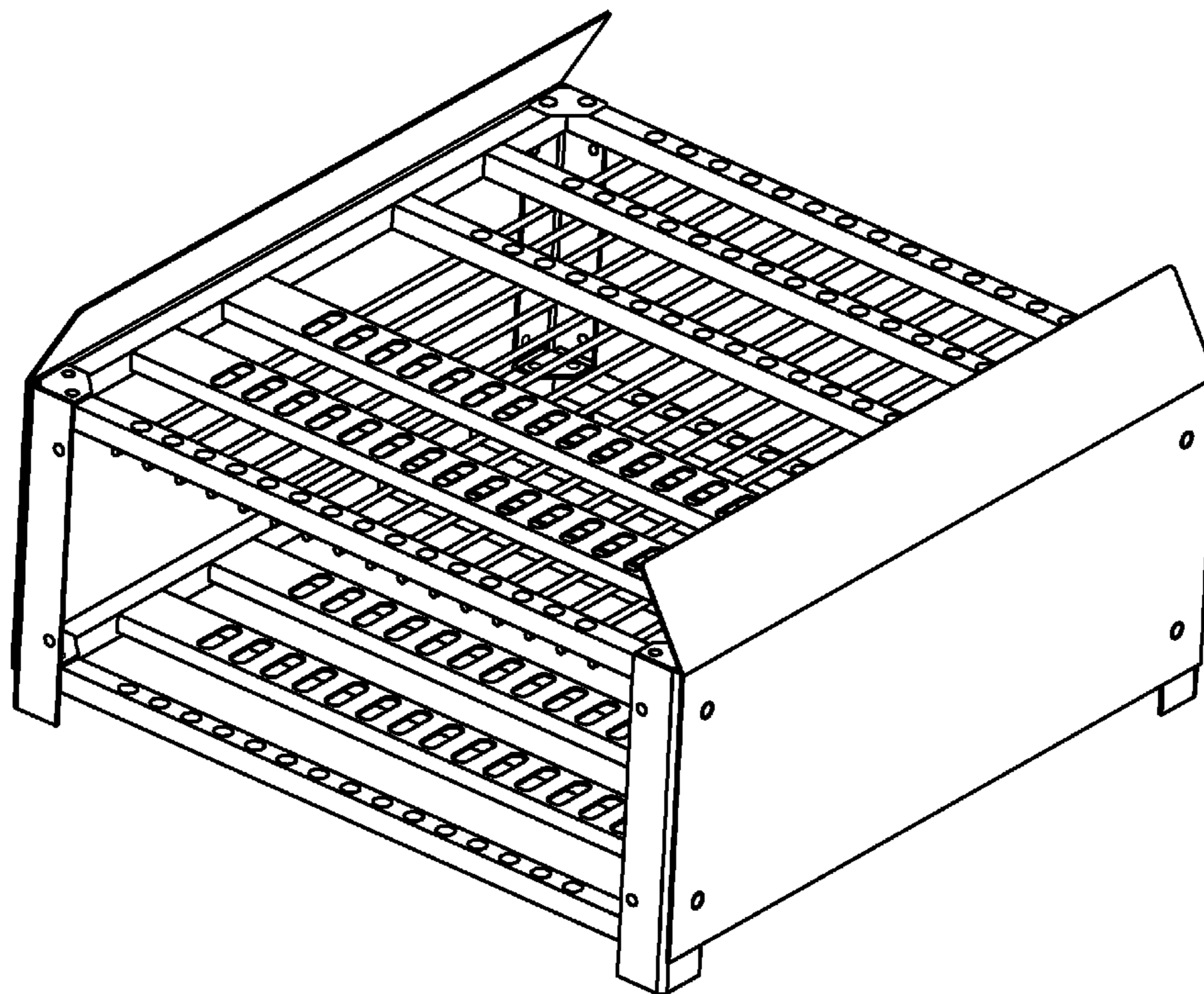
FIG. 3 is a right side elevational view of the design;

FIG. 4 is a front side elevational view of the design; and,

FIG. 5 is a bottom plan view of the design.

The left side elevational view of the design is the same as the right side elevational view shown in FIG. 3. The rear side elevational view of the design is the same as the front side elevational view shown in FIG. 4.

1 Claim, 4 Drawing Sheets



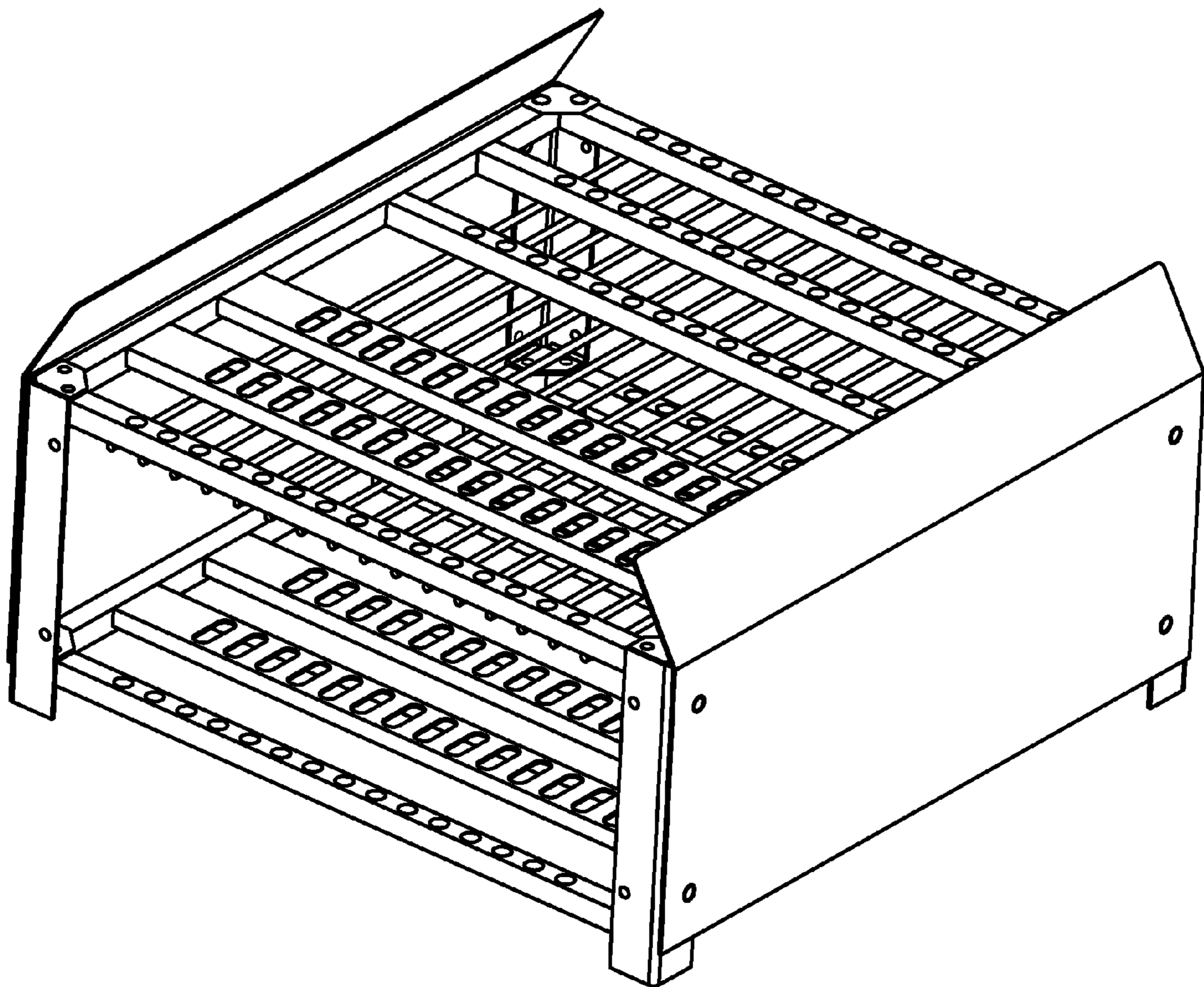


Fig. 1

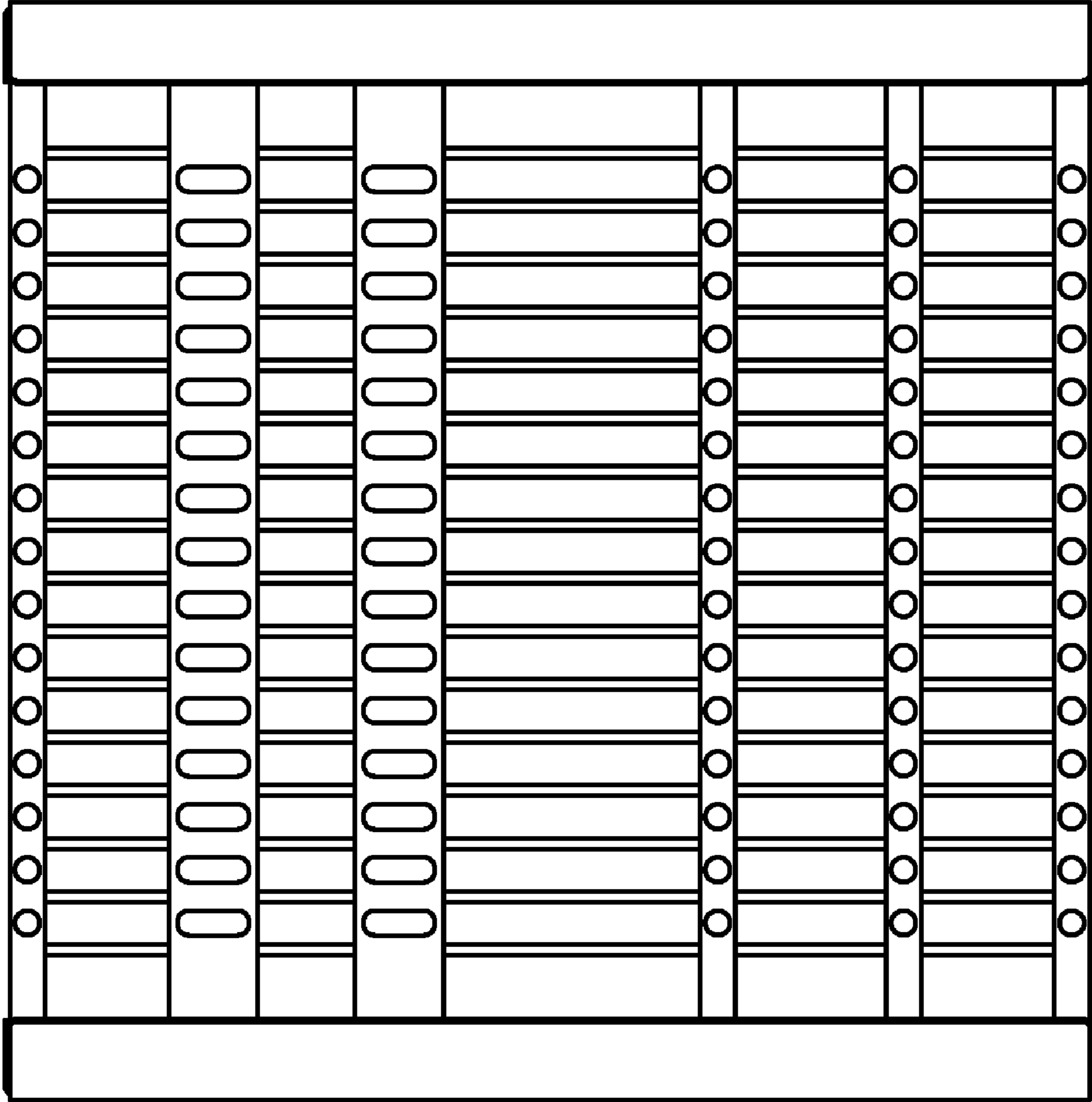


Fig. 2

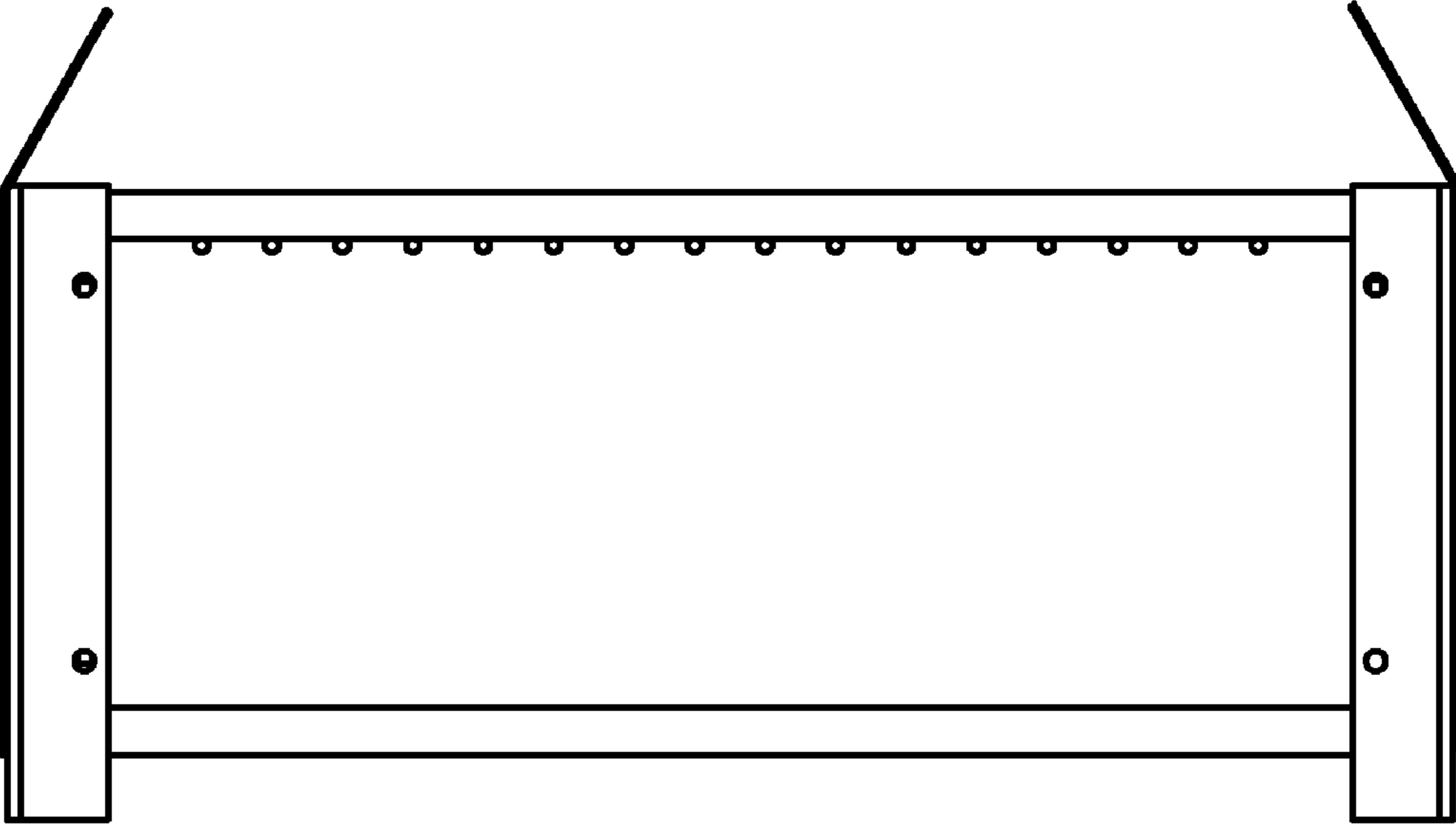


Fig. 3

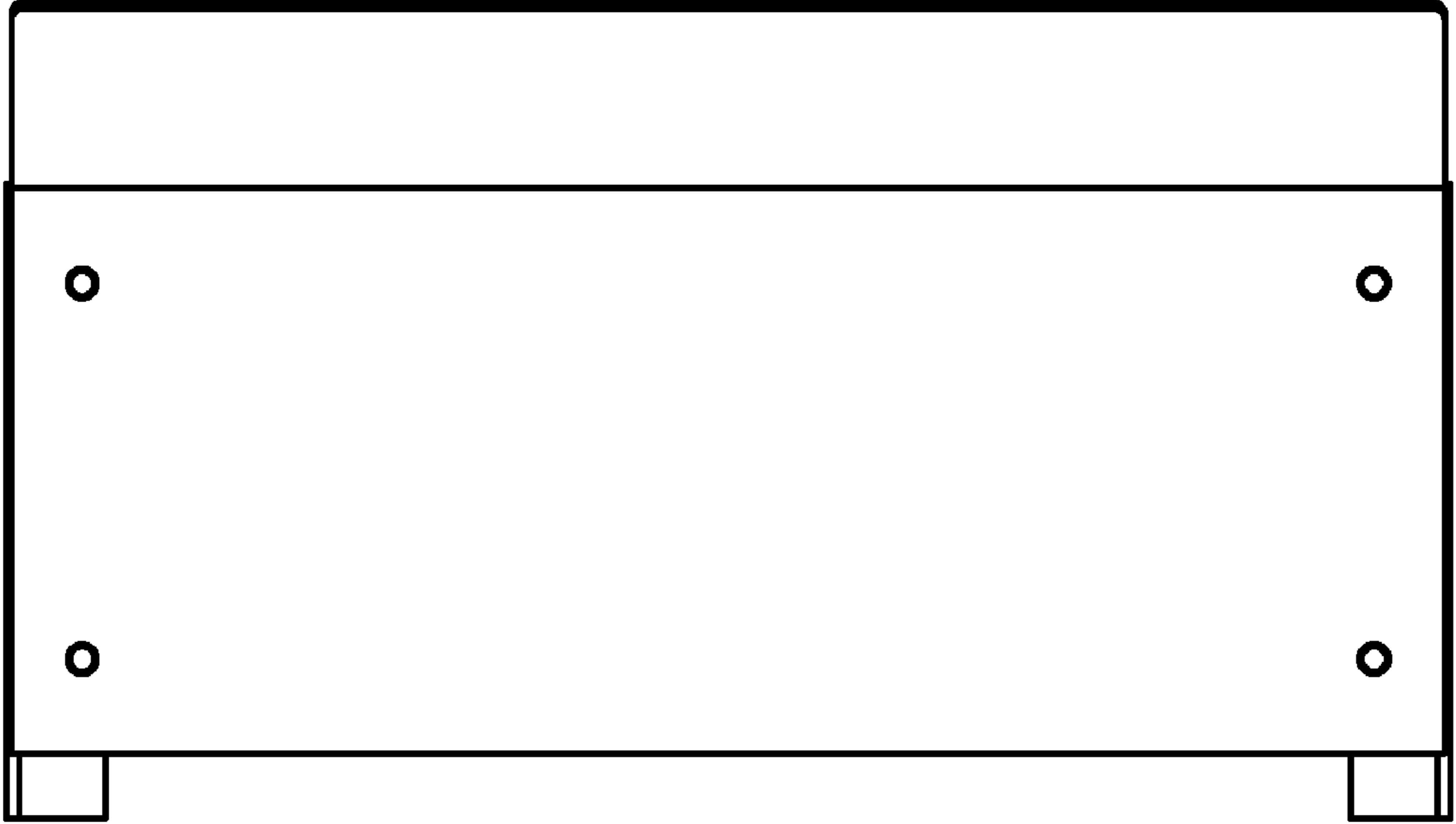


Fig. 4

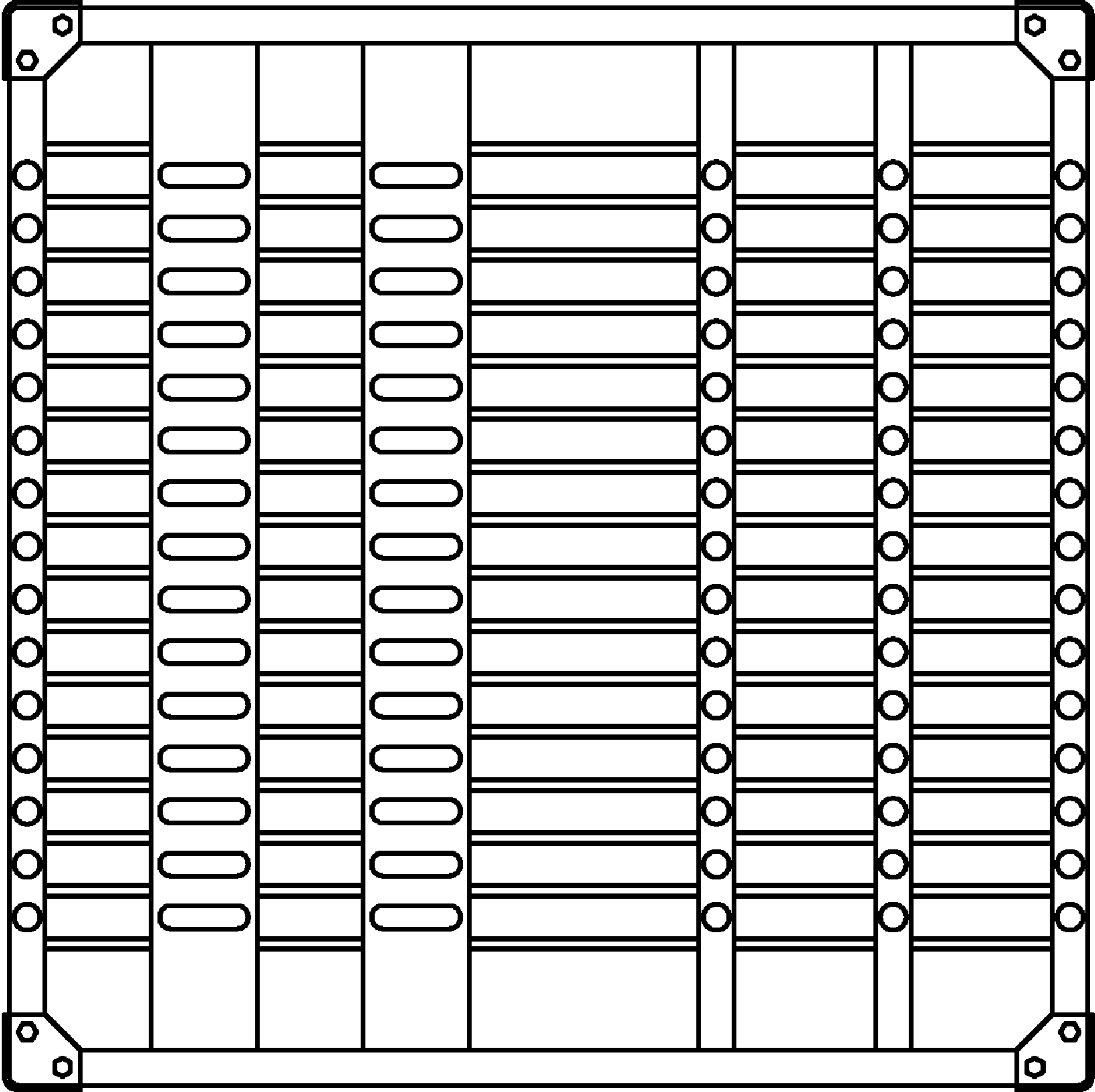


Fig. 5