

US00D577512S

(12) **United States Design Patent**  
**Clucas et al.**

(10) **Patent No.:** **US D577,512 S**

(45) **Date of Patent:** **\*\* Sep. 30, 2008**

(54) **VANITY**

(75) Inventors: **Michael Patrick Clucas**, Newark, DE (US); **Paul Henry Winter**, Newark, DE (US); **Kaveh Didehvar**, Hockessin, DE (US)

(73) Assignee: **Zenith Products Corp.**, New Castle, DE (US)

(\*\*) Term: **14 Years**

(21) Appl. No.: **29/302,112**

(22) Filed: **Jan. 10, 2008**

(51) **LOC (8) Cl.** ..... **06-04**

(52) **U.S. Cl.** ..... **D6/446**

(58) **Field of Classification Search** ..... D6/432-448, D6/561; D23/286, 308; 312/138.1, 204, 312/209, 227, 228, 228.1

See application file for complete search history.

(56) **References Cited**

U.S. PATENT DOCUMENTS

D382,139 S *	8/1997	Palka	.....	D6/446
D384,223 S *	9/1997	Palka	.....	D6/445
D385,723 S *	11/1997	Palka	.....	D6/445
D385,724 S *	11/1997	Palka	.....	D6/445
D439,458 S	3/2001	Melillo		
6,224,175 B1	5/2001	Schmidt		
D454,262 S	3/2002	Chu et al.		
D464,330 S	10/2002	Zarker, Jr.		
D479,058 S	9/2003	Walker		
D496,188 S	9/2004	Walker		
D499,902 S *	12/2004	Mohundro	.....	D6/446
D500,217 S *	12/2004	Mohundro	.....	D6/446
D500,929 S	1/2005	Walker		
D502,820 S *	3/2005	Mohundro	.....	D6/446

D523,661 S	6/2006	Bruce		
D526,143 S *	8/2006	Bruce	.....	D6/446
D534,370 S	1/2007	Charnik		
D534,998 S	1/2007	Charnik		
D543,724 S *	6/2007	Baade	.....	D6/446

\* cited by examiner

*Primary Examiner*—Mimosa De

(74) *Attorney, Agent, or Firm*—Panitch Schwarze Belisario & Nadel LLP

(57) **CLAIM**

The ornamental design for a vanity, as shown and described.

**DESCRIPTION**

FIG. 1 is a front right perspective view of a first preferred embodiment of a vanity in accordance with our new design;

FIG. 2 is a front elevation view thereof;

FIG. 3 is a rear elevation view thereof;

FIG. 4 is a top plan view thereof;

FIG. 5 is a bottom plan view thereof;

FIG. 6 is a right side elevational view thereof, with the left side being a mirror image;

FIG. 7 is a front right perspective view of a second preferred embodiment of a vanity with a filler strip in accordance with our new design;

FIG. 8 is a front elevation view thereof;

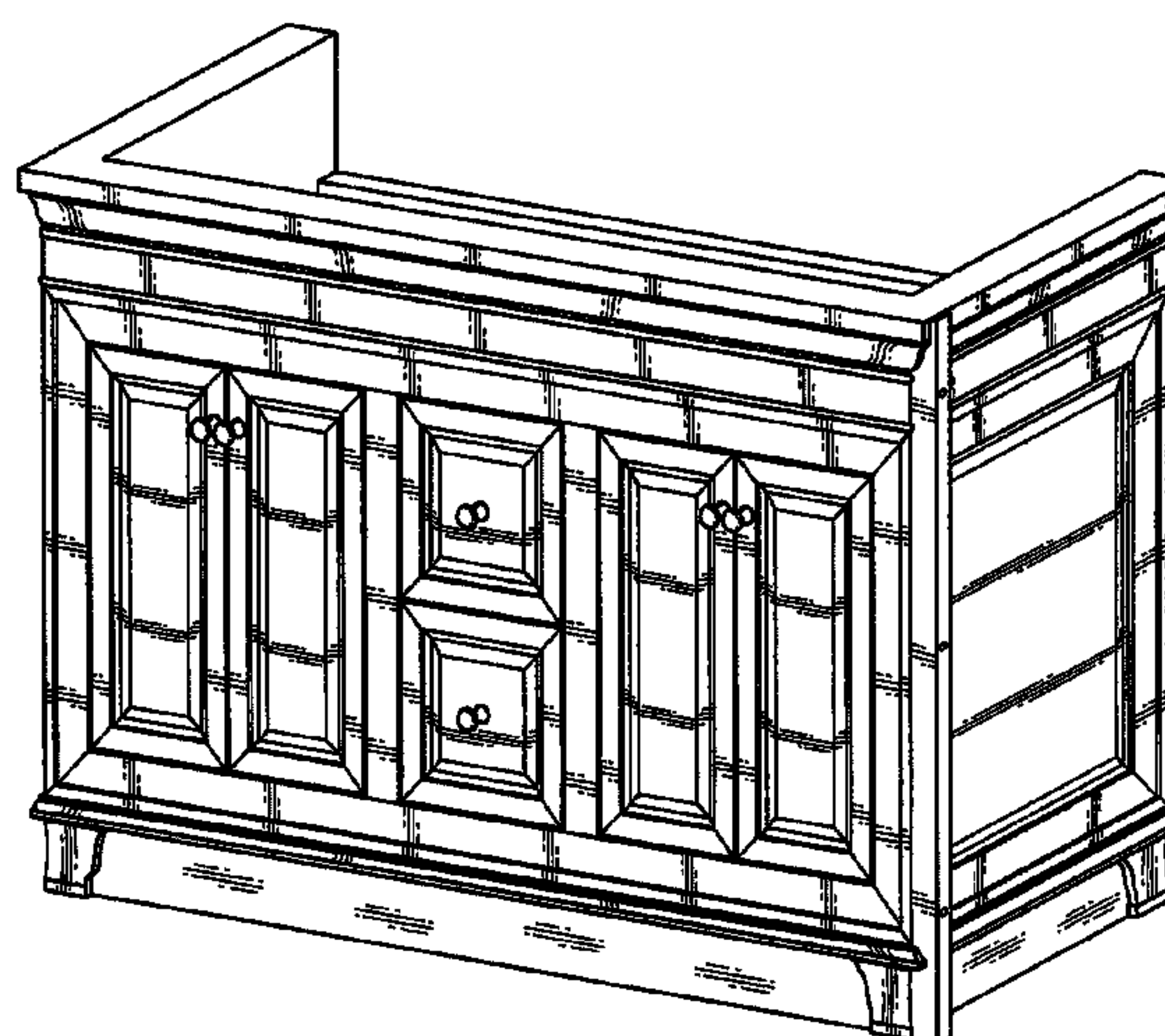
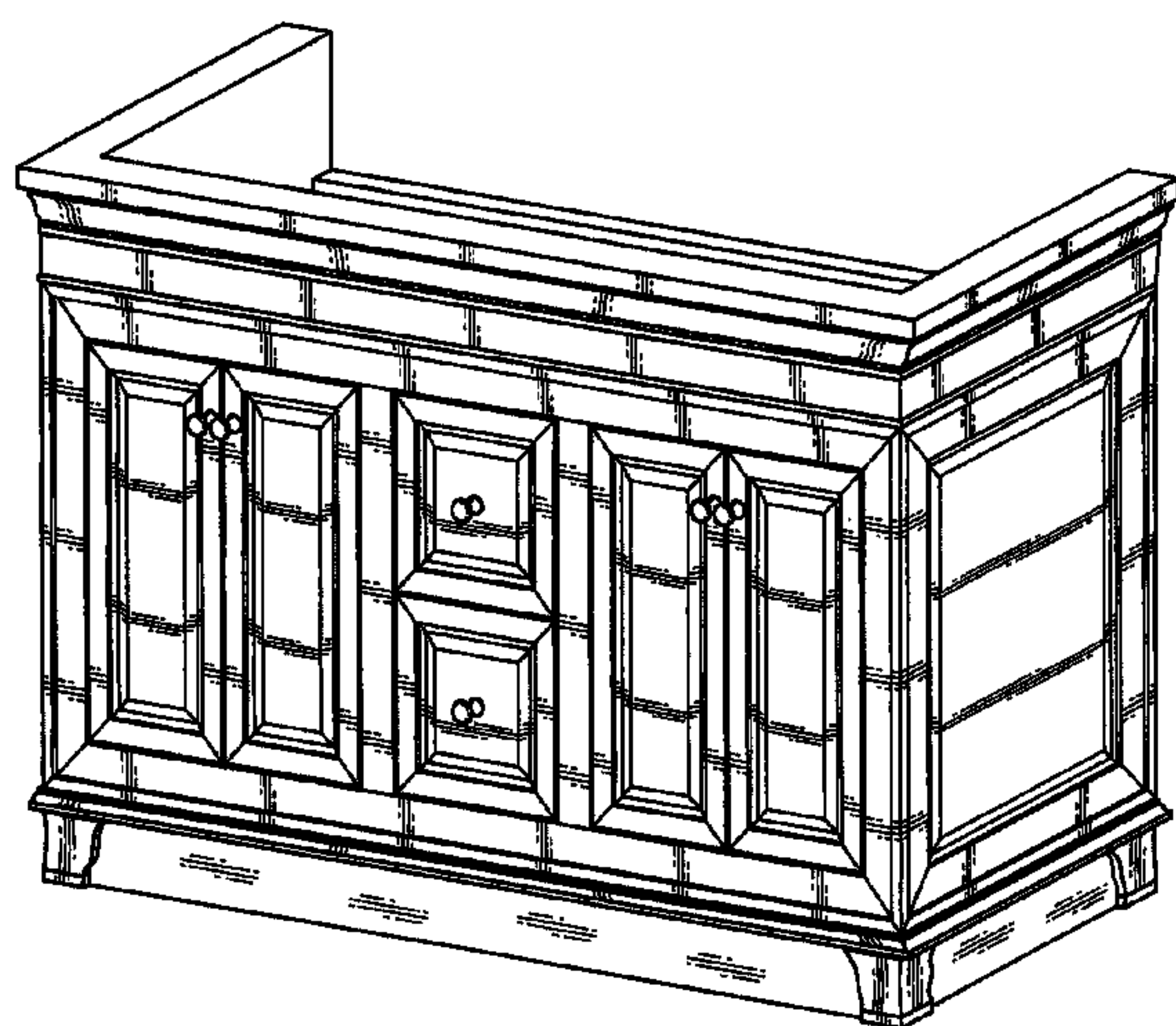
FIG. 9 is a rear elevation view thereof;

FIG. 10 is a top plan view thereof;

FIG. 11 is a bottom plan view thereof; and,

FIG. 12 is a right side elevation view thereof.

**1 Claim, 6 Drawing Sheets**



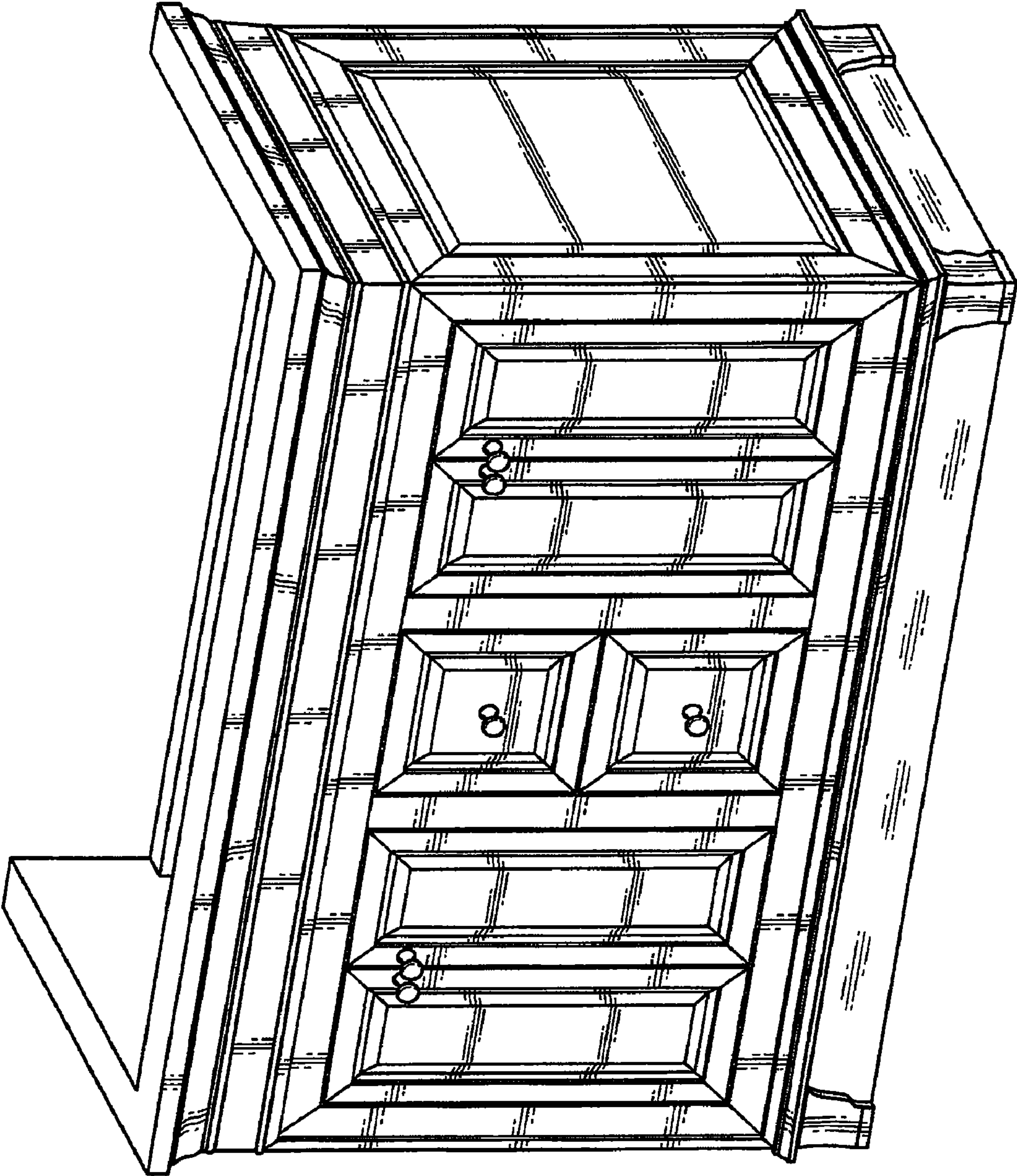
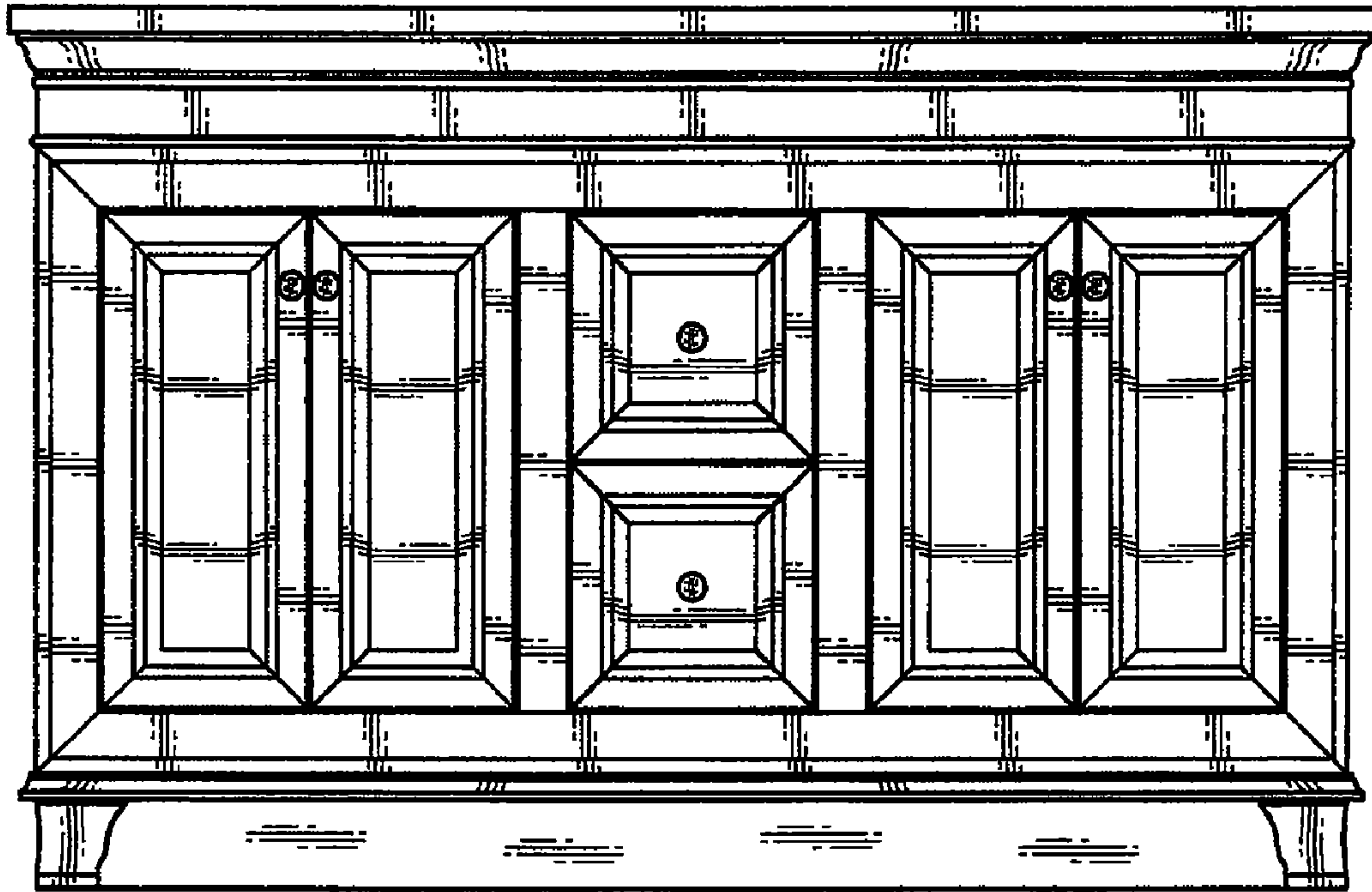
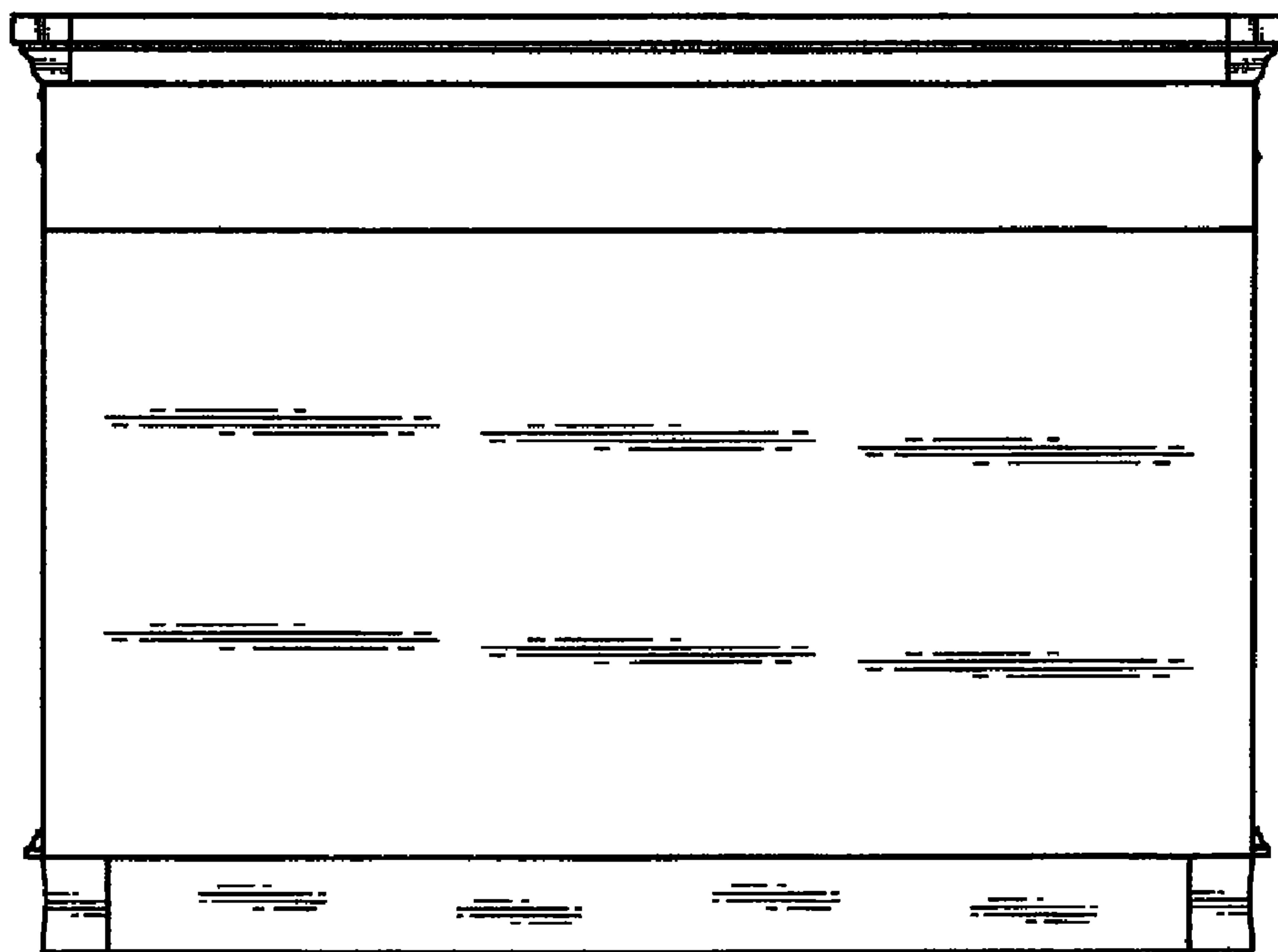


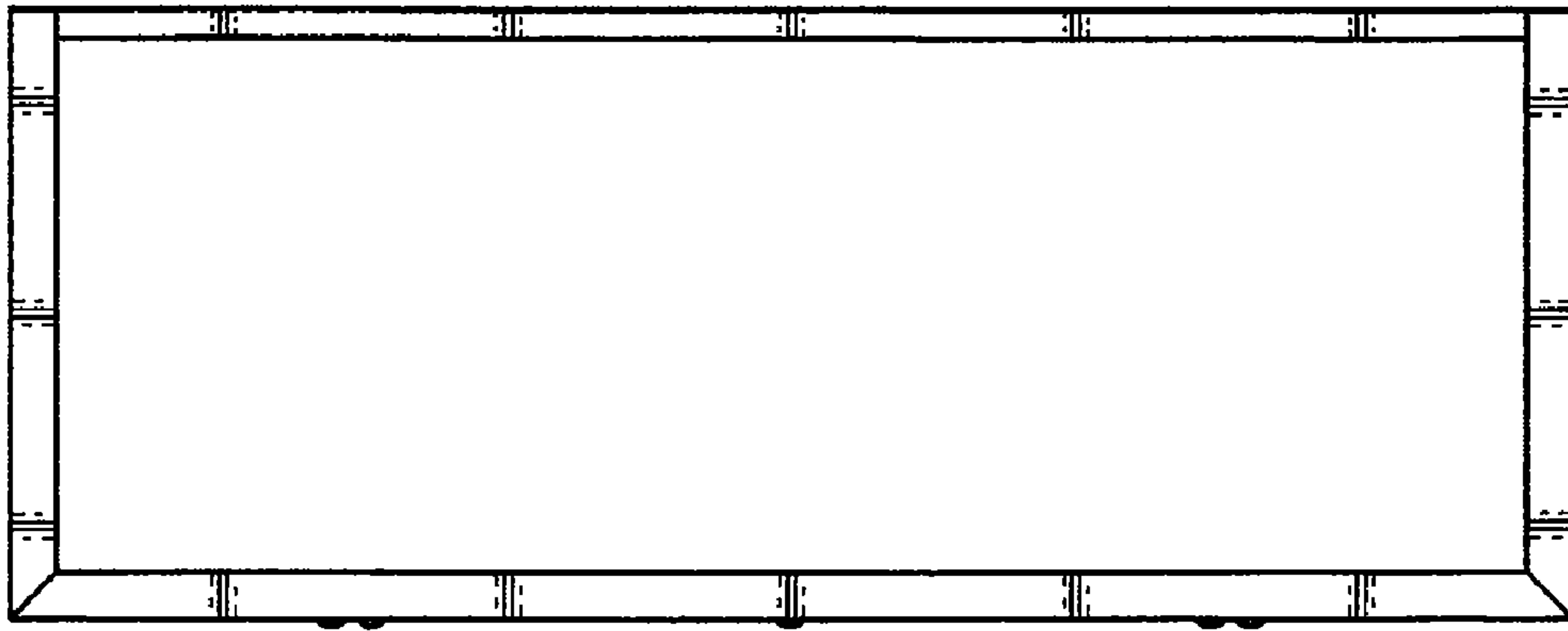
FIG. 1



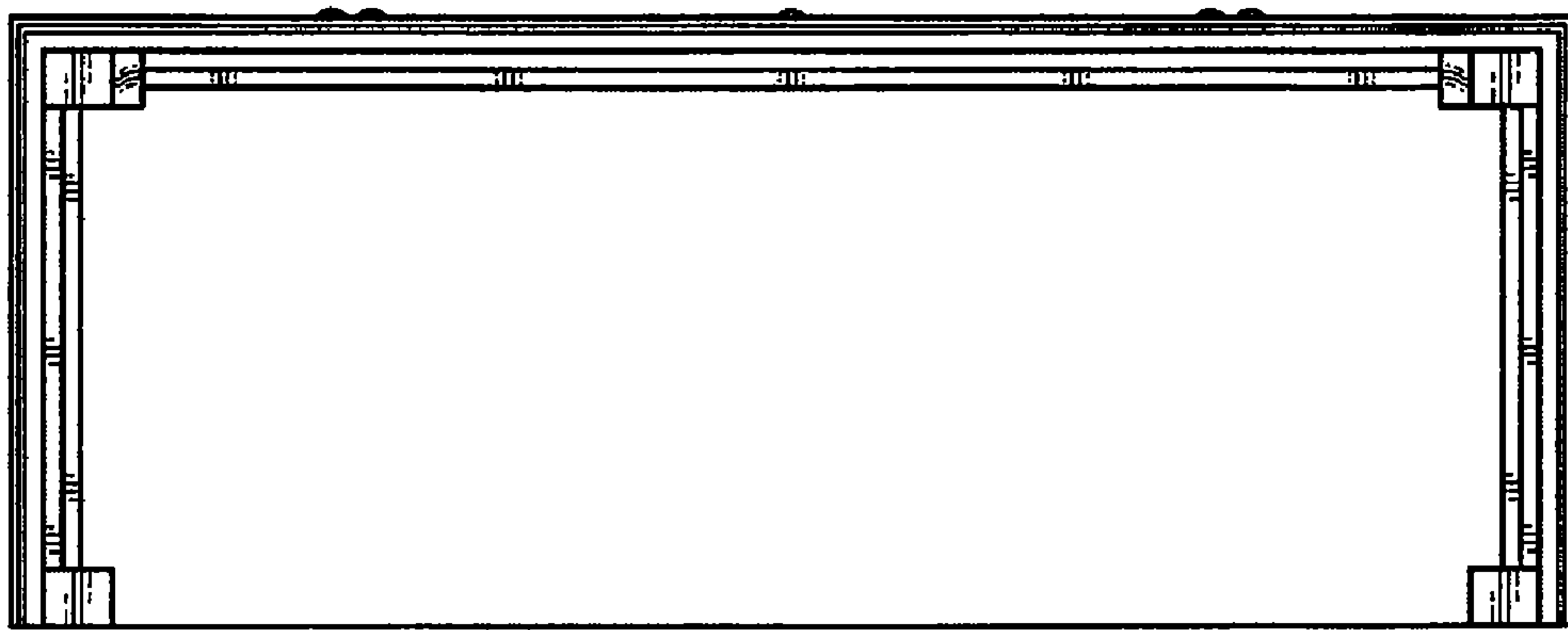
**FIG. 2**



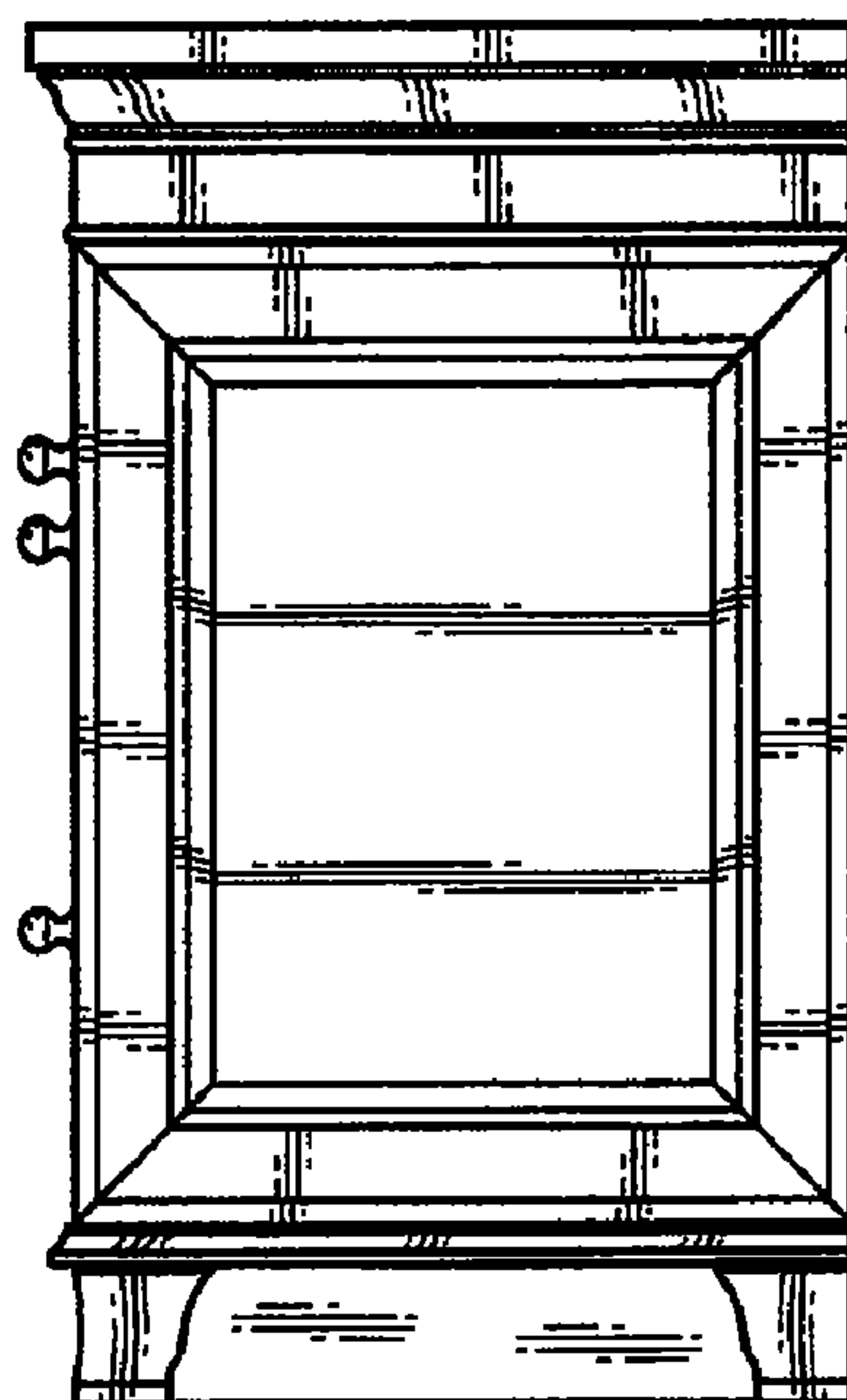
**FIG. 3**



**FIG. 4**



**FIG. 5**



**FIG. 6**



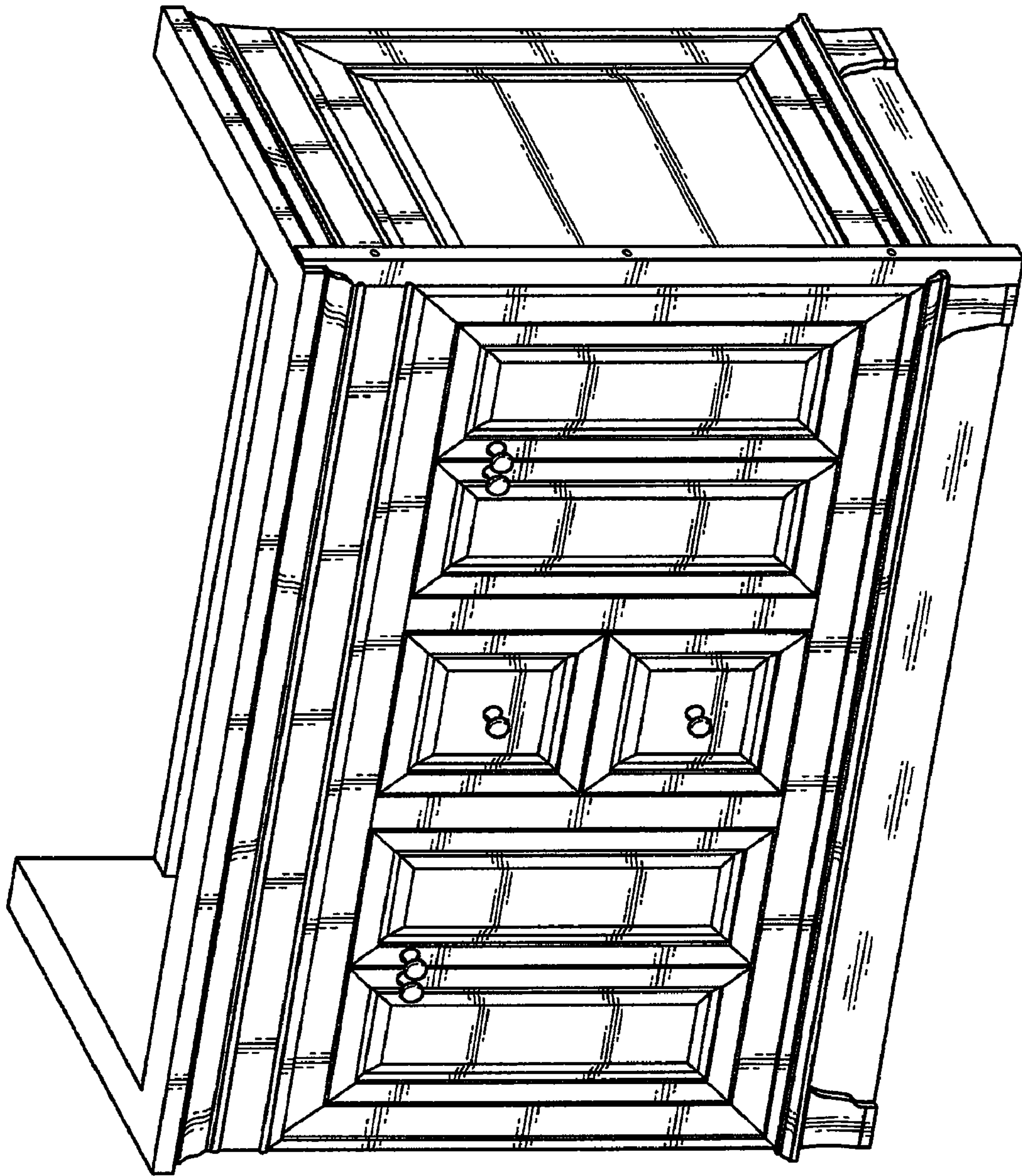
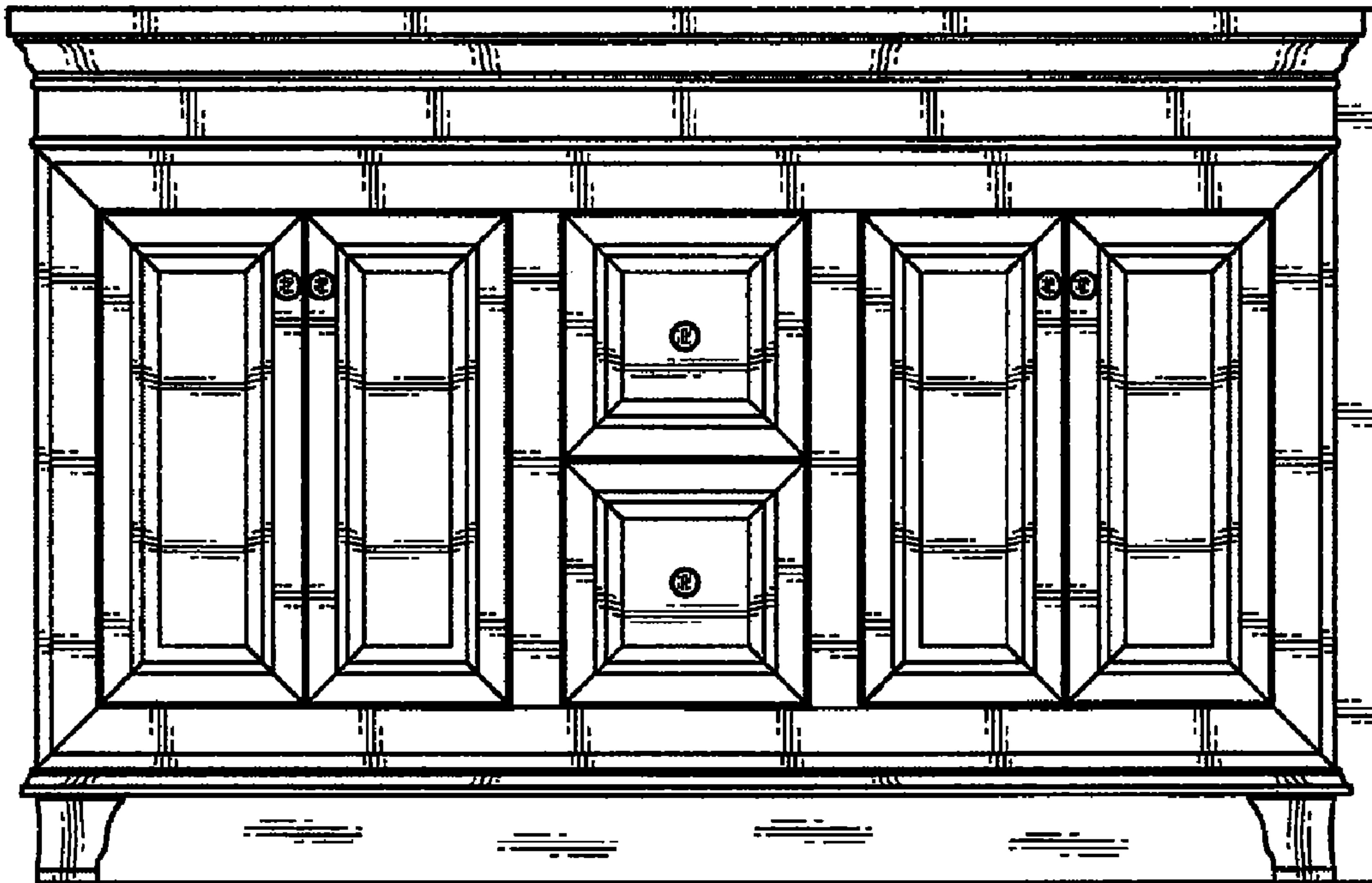
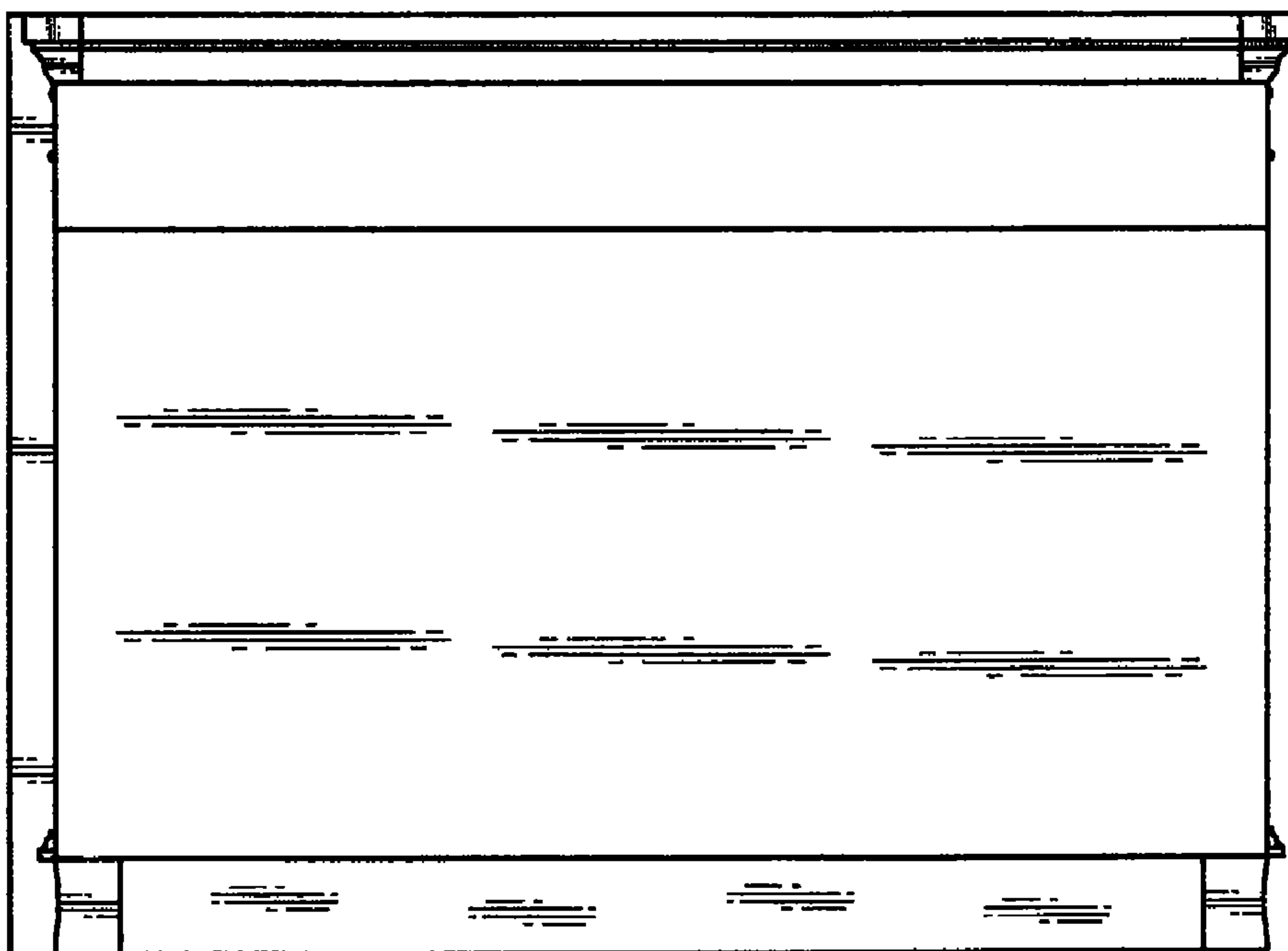


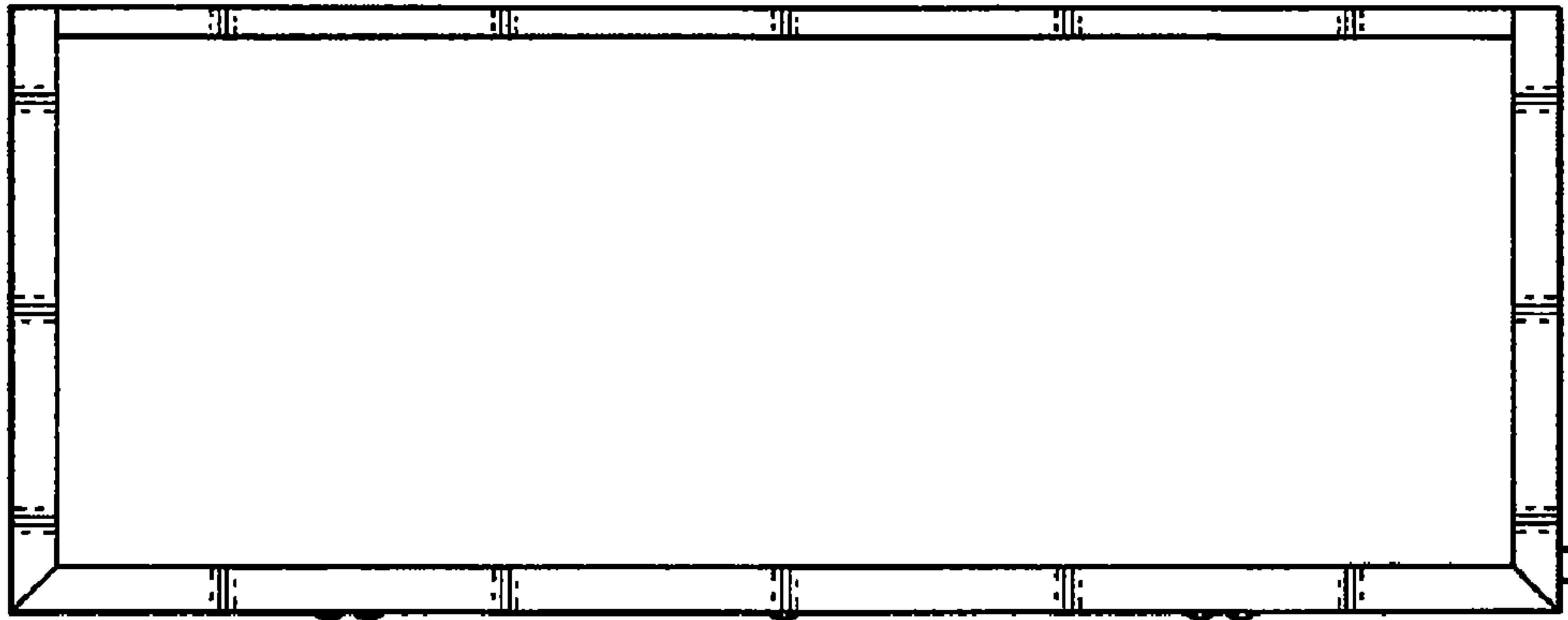
FIG. 7



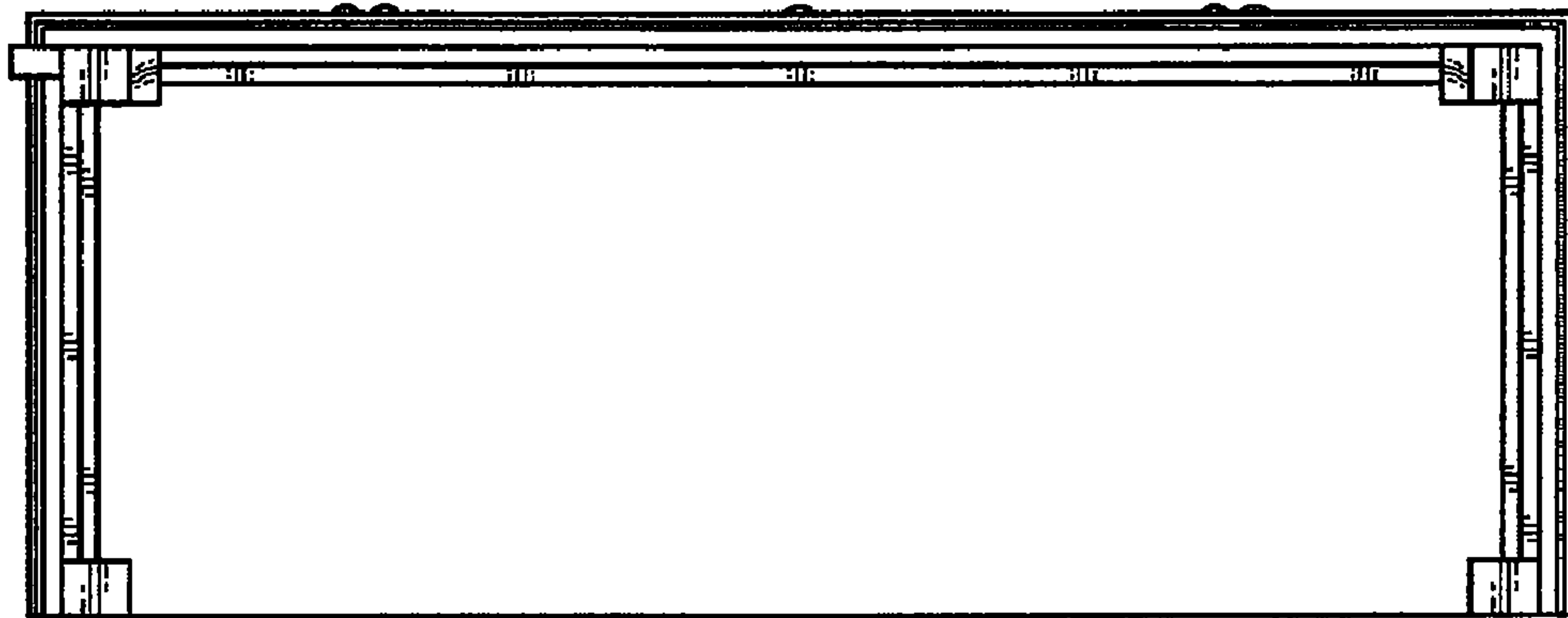
**FIG. 8**



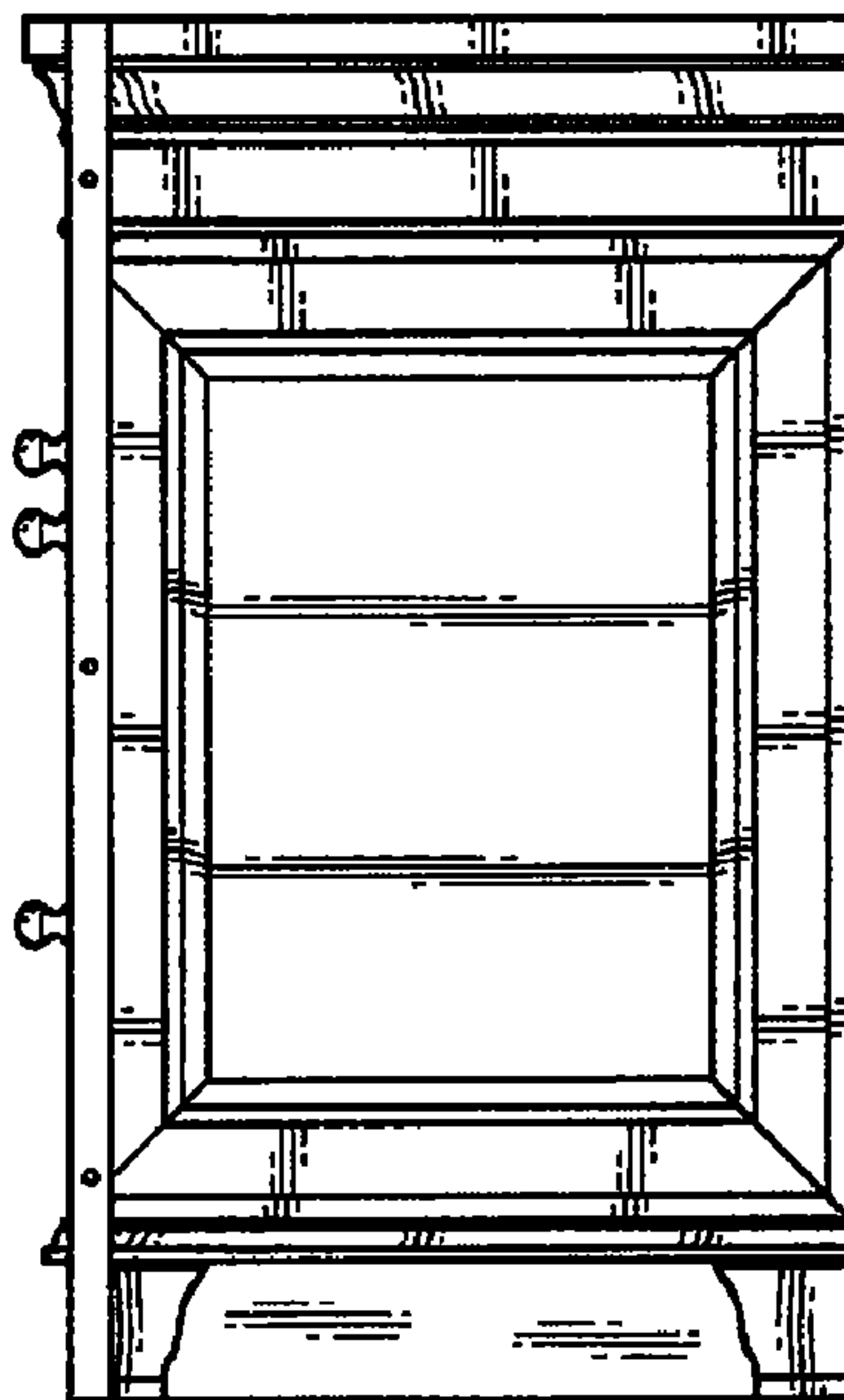
**FIG. 9**



**FIG. 10**



**FIG. 11**



**FIG. 12**