



US00D577510S

(12) **United States Design Patent**
Komata et al.

(10) **Patent No.:** **US D577,510 S**

(45) **Date of Patent:** **** Sep. 30, 2008**

(54) **PET FURNITURE**

(76) Inventors: **Tracey M. Komata**, 1155 Camino Del Mar, Suite 423, Del Mar, CA (US) 92014; **Soames S. Haworth**, 2541 Via Pisa, Del Mar, CA (US) 92014; **Brent T. Hinrichs**, 2975 SW. Upper Dr., Portland, OR (US) 97201; **Jake W. Eisner**, 150 Joralemon St., Suite 3F, Brooklyn, NY (US) 11021; **Emily H. Sugihara**, 150 Joralemon St., Suite 3F, Brooklyn, NY (US) 11021; **Angus R. Colson, Jr.**, 14160 Myrtle St., Jamul, CA (US) 91935; **Terrell A. Oyama**, 11042 W. Ocean Air Dr., #343, San Diego, CA (US) 92130

(**) Term: **14 Years**

(21) Appl. No.: **29/282,040**

(22) Filed: **Jul. 10, 2007**

(51) **LOC (8) Cl.** **06-04**

(52) **U.S. Cl.** **D6/436**

(58) **Field of Classification Search** D6/432,
D6/433, 436-448, 510; 312/204, 224, 237,
312/257.1, 249.8, 249.11, 330.1; D23/286;
D34/14, 19, 20, 21, 25

See application file for complete search history.

(56) **References Cited**

U.S. PATENT DOCUMENTS

D98,634 S * 2/1936 Wright D6/436
D264,658 S * 6/1982 de Polo et al. D6/436
D287,080 S * 12/1986 Densen D6/446
D387,224 S * 12/1997 Dunlap, Jr. D6/446
D436,754 S * 1/2001 Bellini D6/445
D505,031 S * 5/2005 Chen D6/441

D535,728 S * 1/2007 Helmsie D23/286
D537,651 S * 3/2007 Seo et al. D6/446
D543,723 S * 6/2007 Brown et al. D6/436
D546,582 S * 7/2007 Moloney D6/445

* cited by examiner

Primary Examiner—Mimosa De

(57) **CLAIM**

The ornamental design for a pet furniture, as shown and described.

DESCRIPTION

FIG. 1 is a pictorial view of a pet furniture, illustrating the top, left and front sides thereof, illustrating the drawer in an opened position;

FIG. 2 is a front elevational view of the pet furniture of FIG. 1;

FIG. 3 is top plan view of the pet furniture of FIG. 1;

FIG. 4 is a left side elevational view of the pet furniture of FIG. 1;

FIG. 5 is a right side elevational view of the pet furniture of FIG. 1;

FIG. 6 is a back side elevational view of the pet furniture of FIG. 1;

FIG. 7 is a pictorial view of a pet furniture illustrating the top, left and front sides thereof, illustrating the drawer in a closed position;

FIG. 8 is a top plan view of the pet furniture of FIG. 7;

FIG. 9 is a left side elevational view of the pet furniture of FIG. 7; and,

FIG. 10 is a right side elevational view of the pet furniture of FIG. 7.

1 Claim, 3 Drawing Sheets

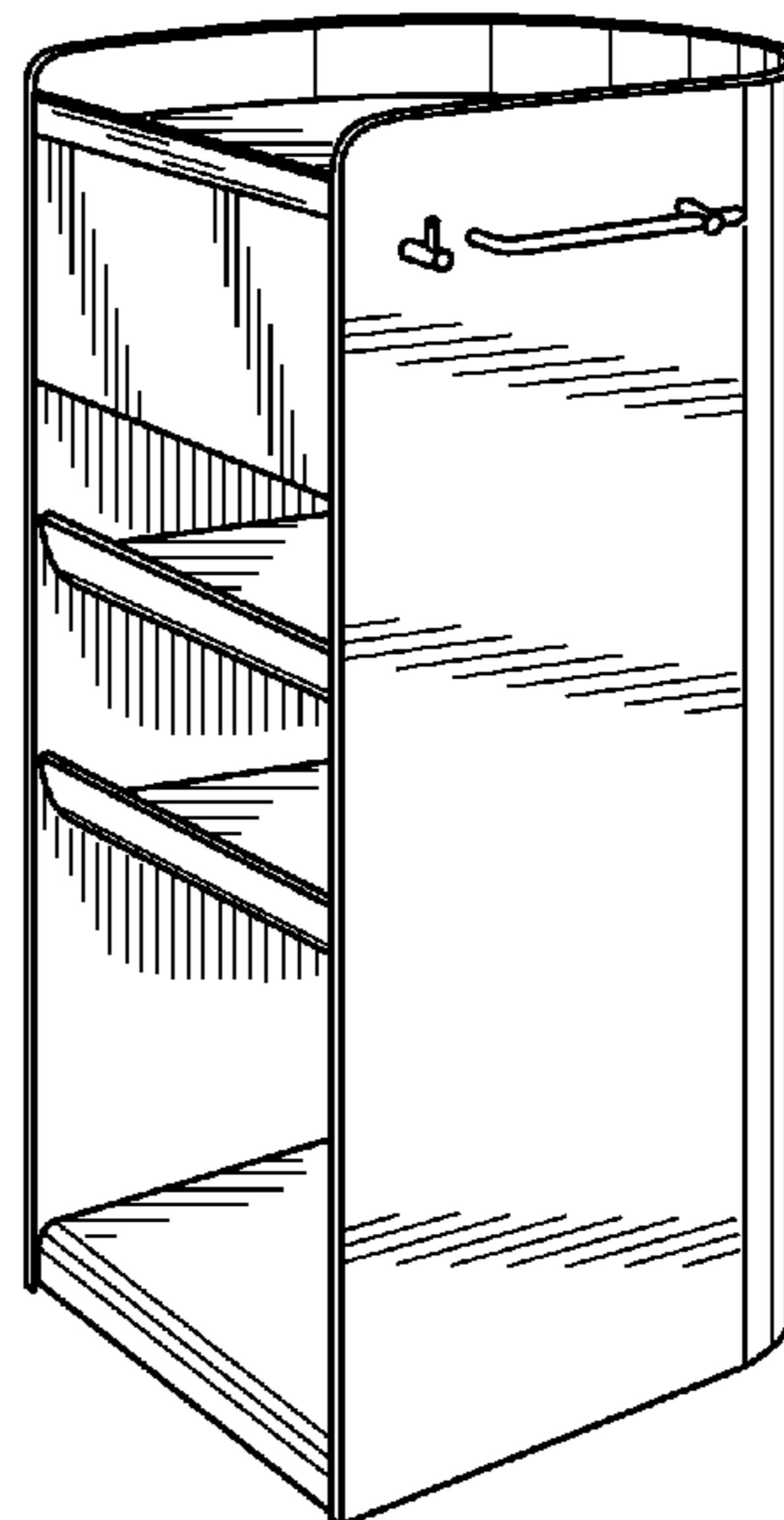
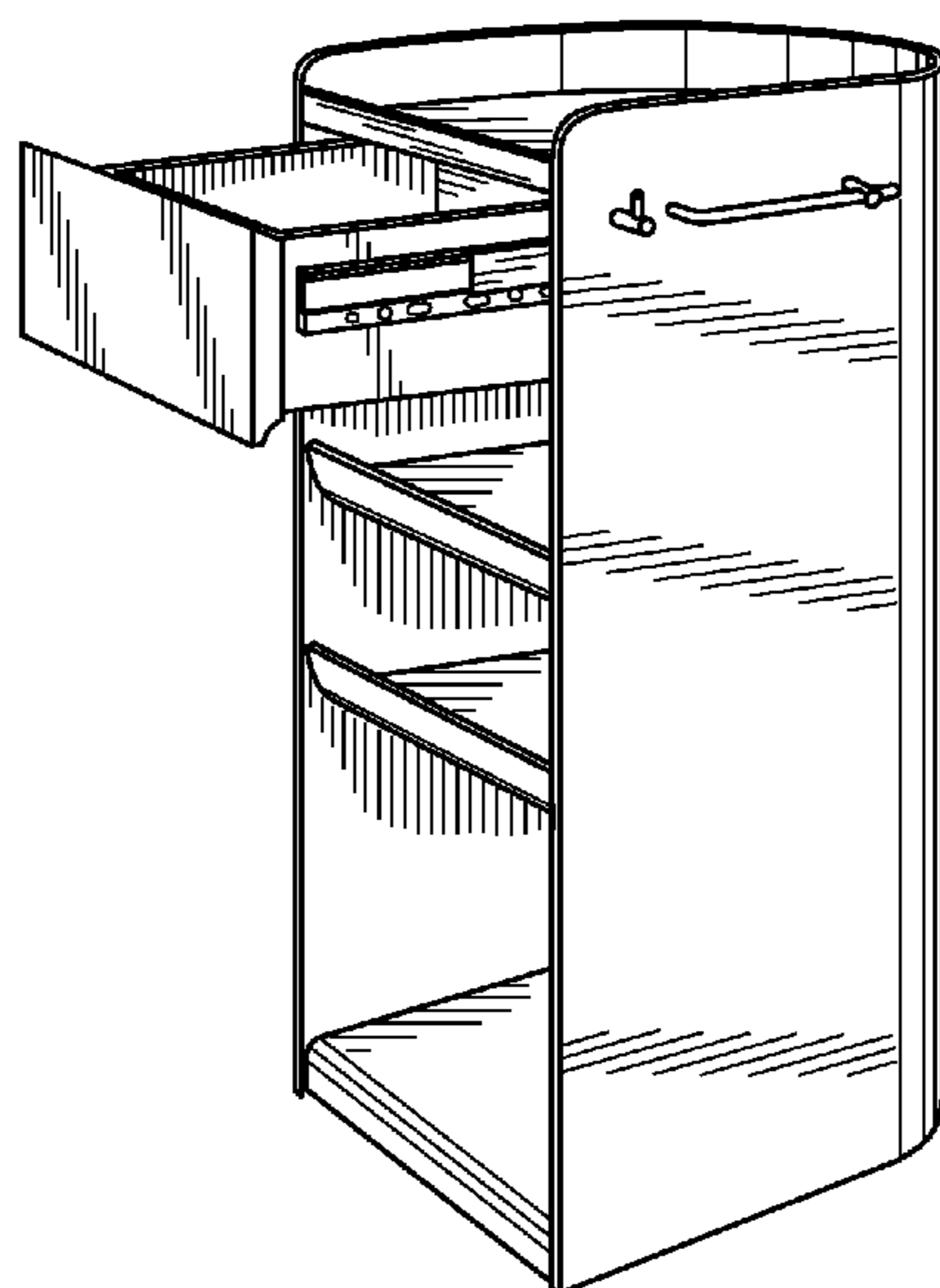


Fig. 1

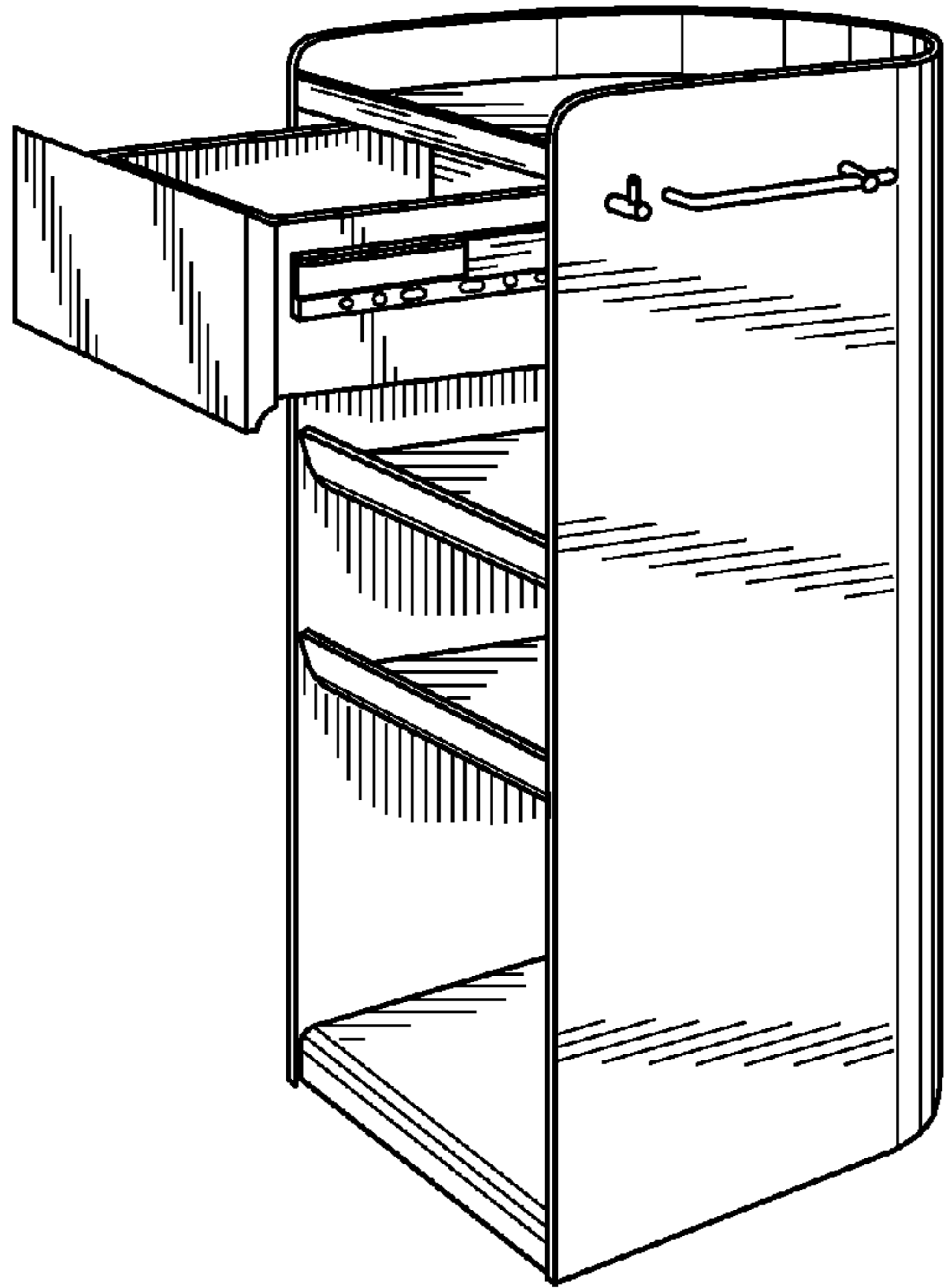


Fig. 3

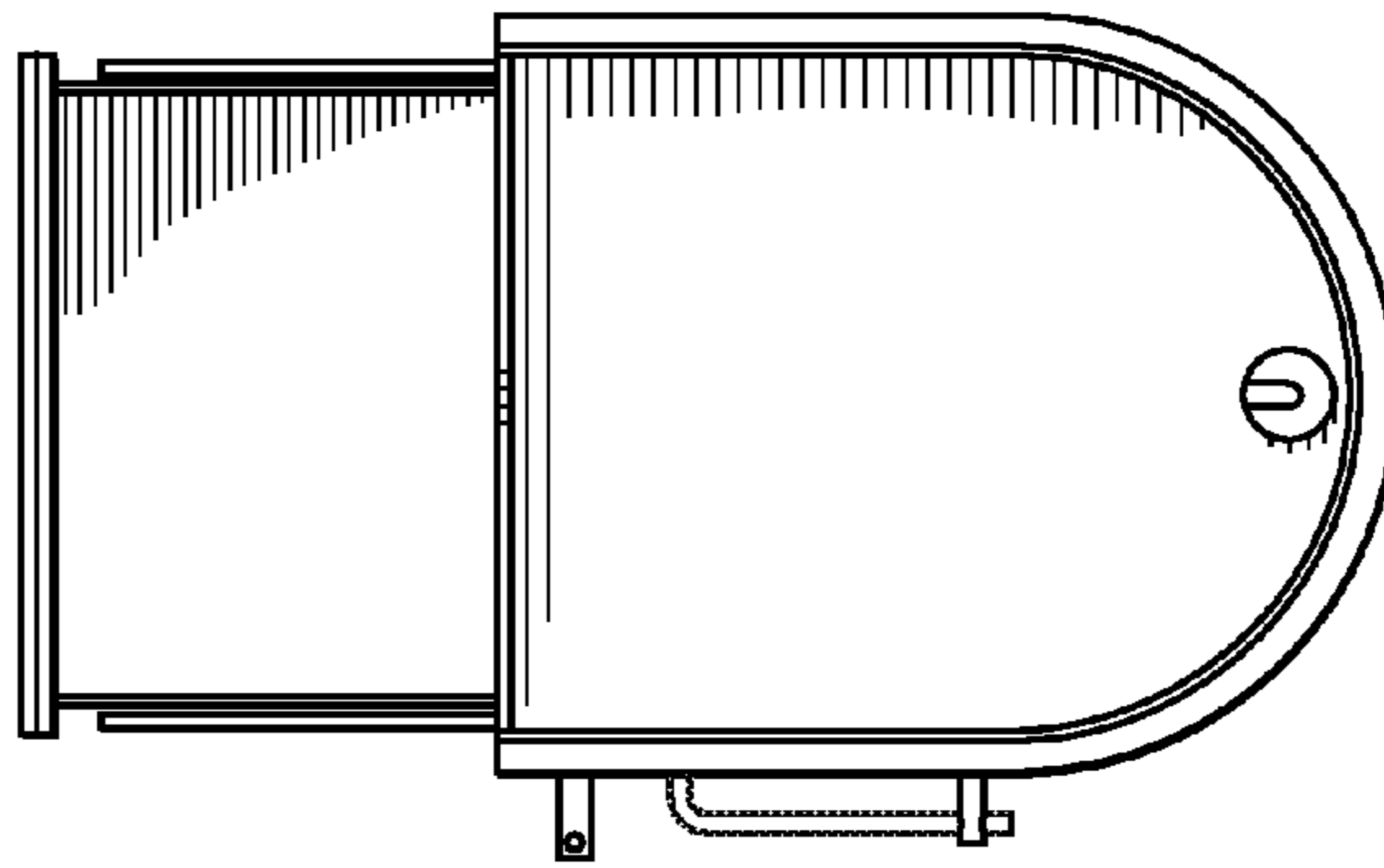


Fig. 2

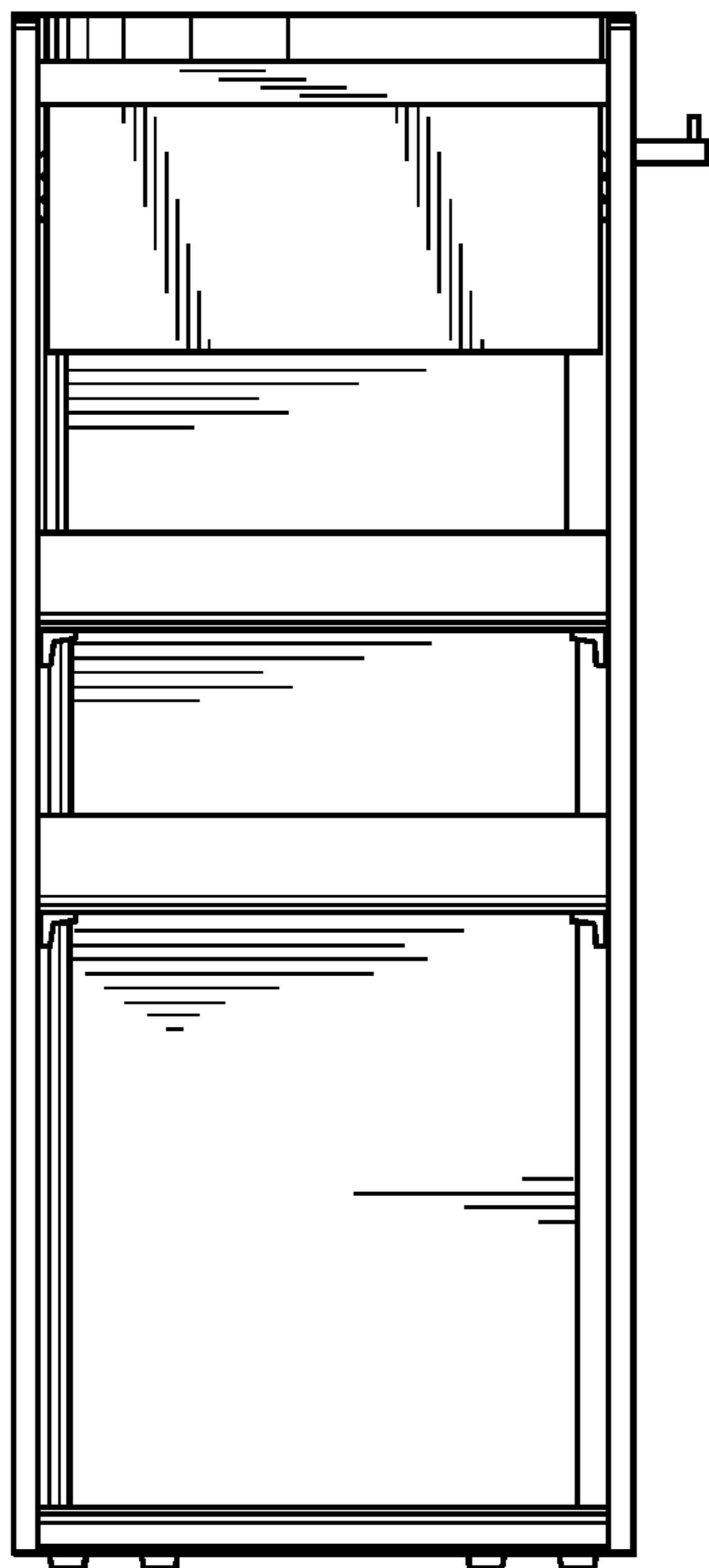


Fig. 4

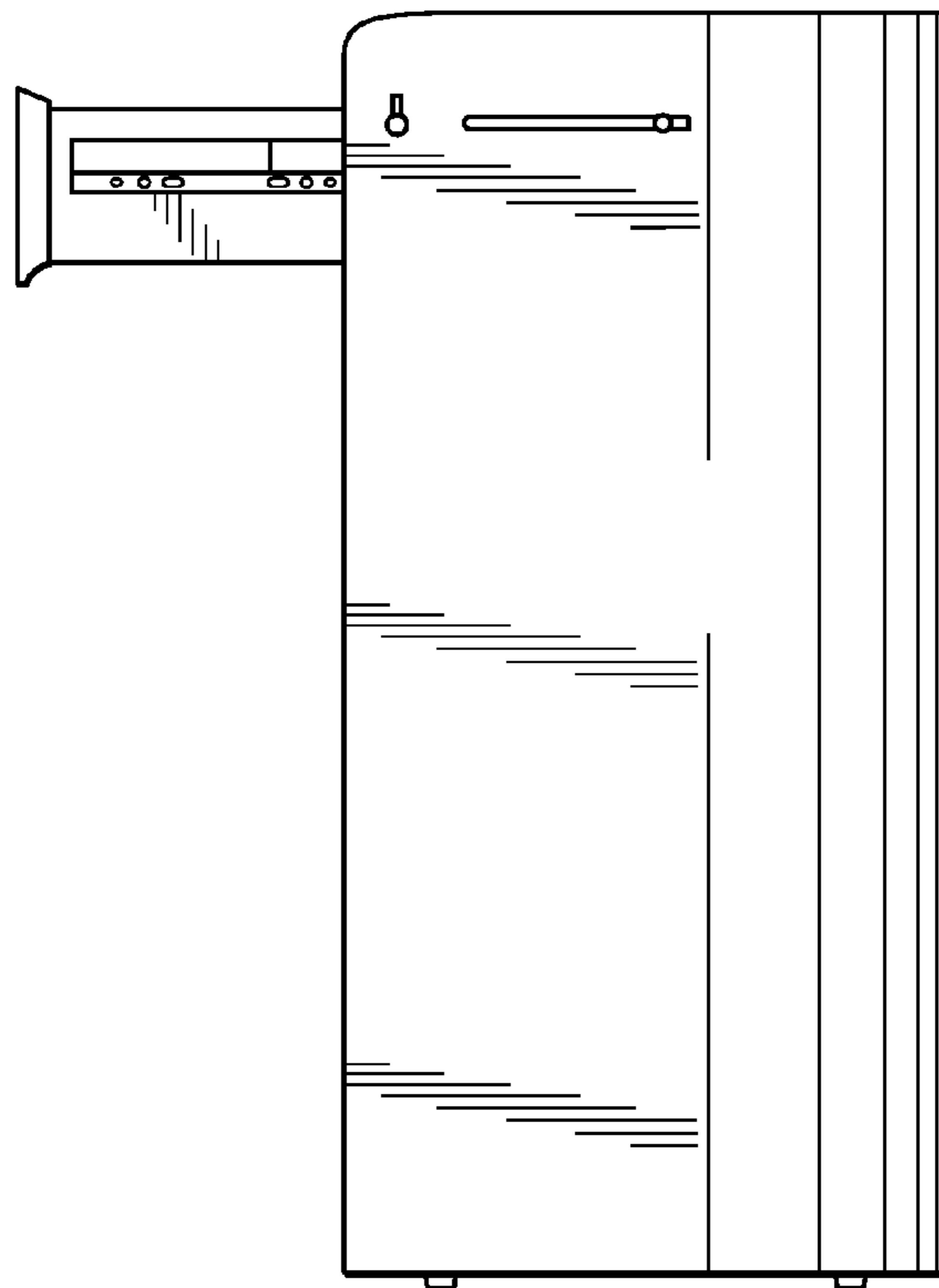


Fig. 5

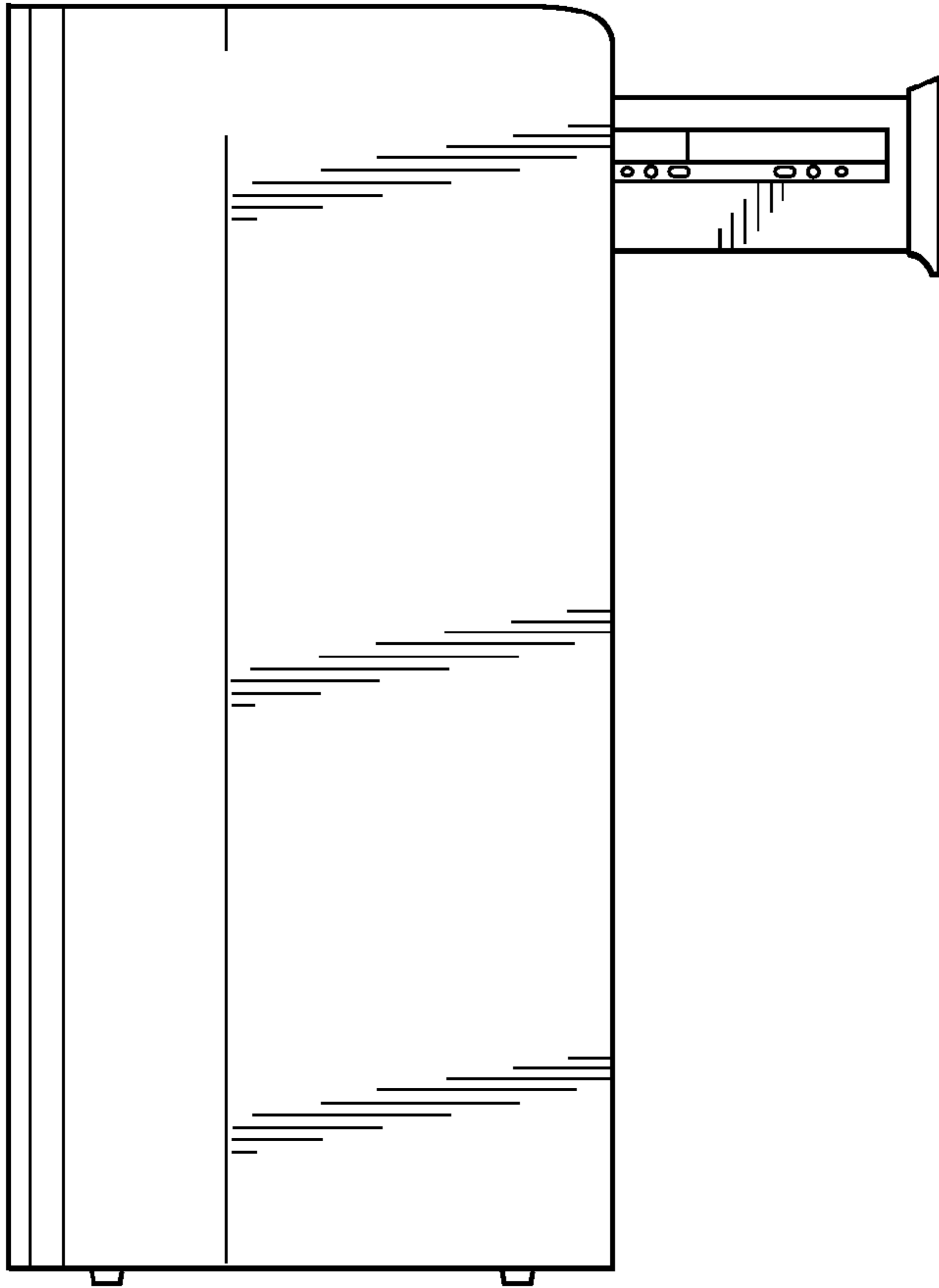


Fig. 6

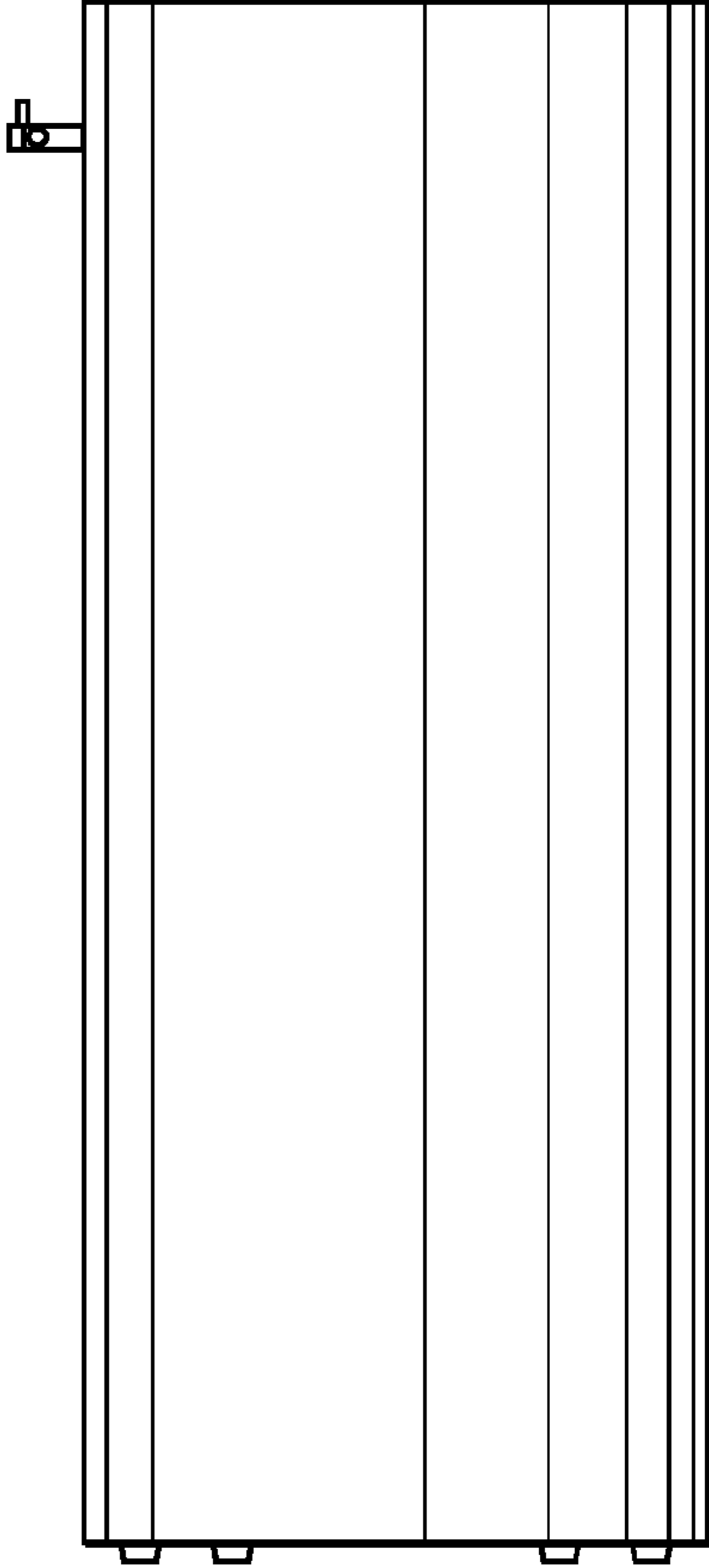


Fig. 7

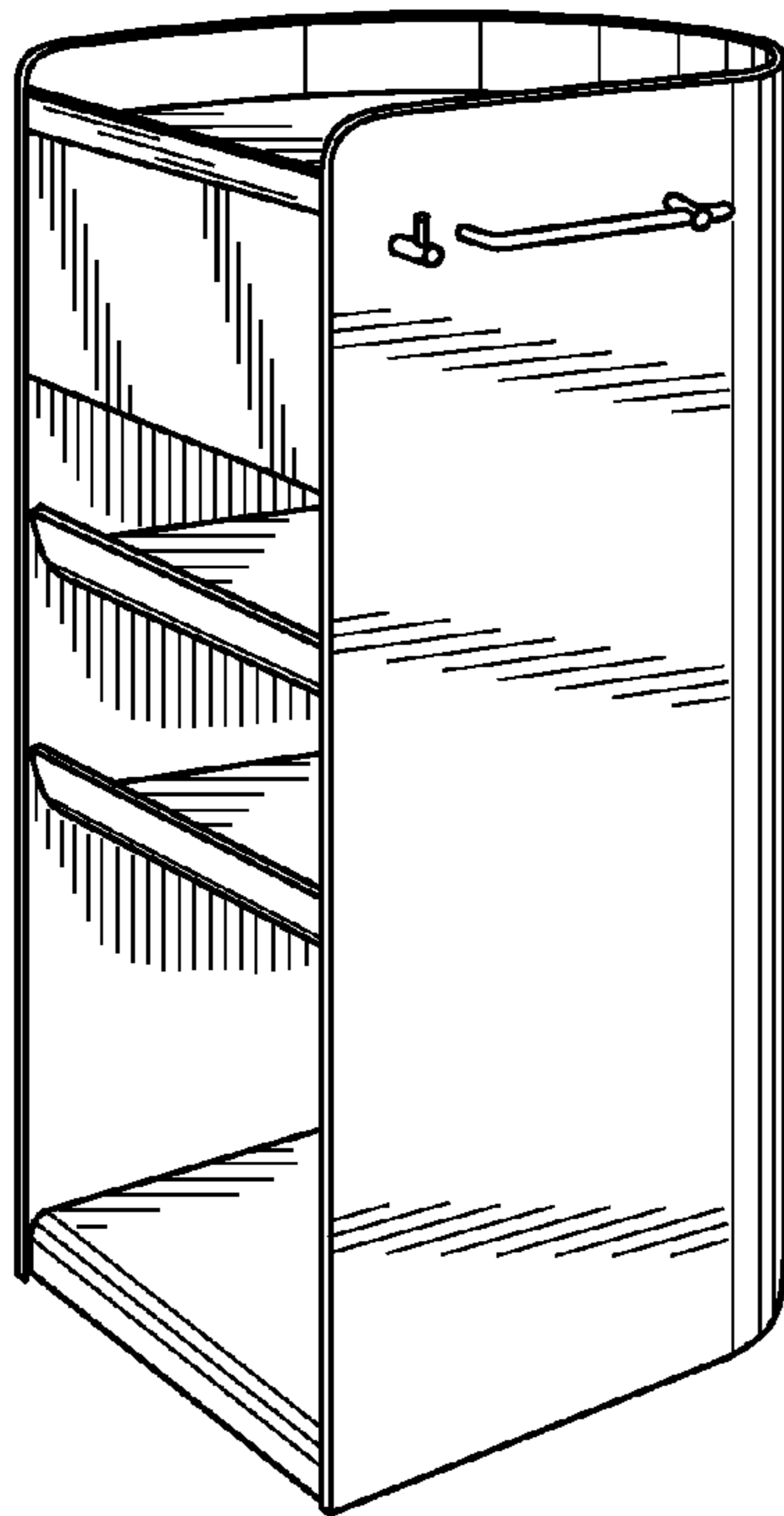


Fig. 8

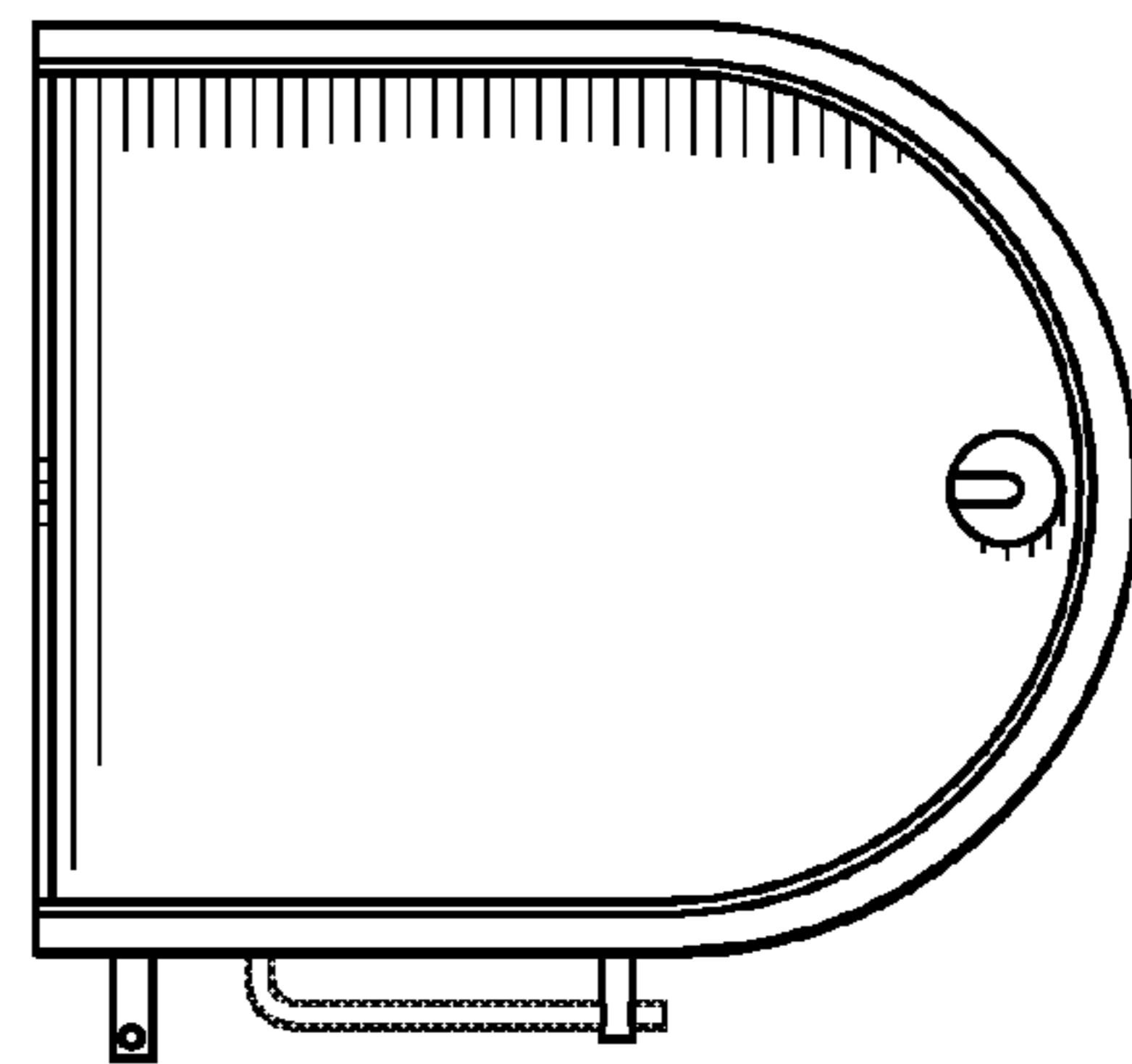


Fig. 10

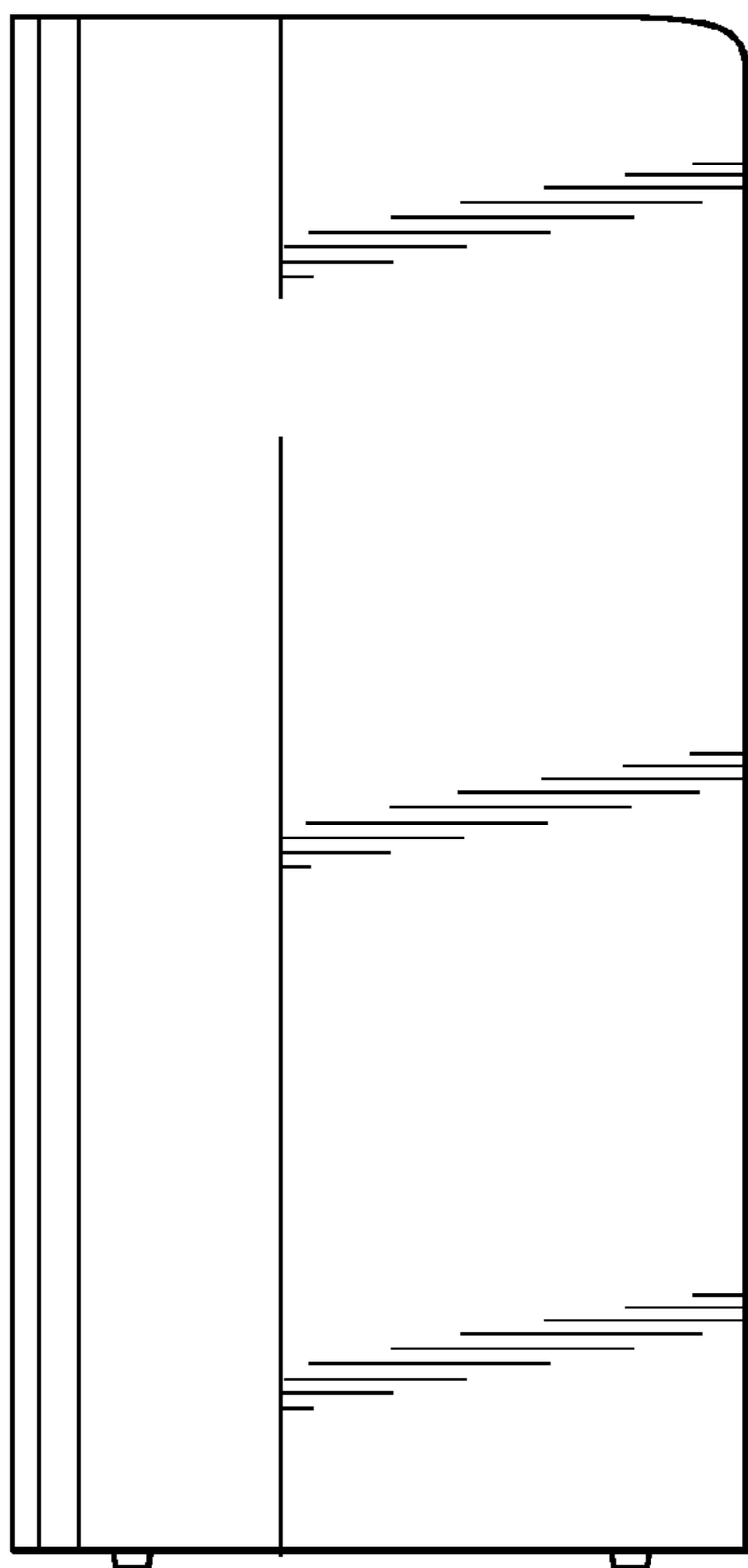


Fig. 9

