



US00D577508S

(12) **United States Design Patent**  
**Derocher et al.**

(10) **Patent No.:** **US D577,508 S**  
(45) **Date of Patent:** **\*\* Sep. 30, 2008**

(54) **RACK FOR HOLDING ENTERTAINMENT MEDIA**

(75) Inventors: **Michael D. Derocher**, Albany, OR (US);  
**John L. Guenther**, Aptos, CA (US);  
**Mark C. Solomon**, Corvallis, OR (US);  
**Stephen DeSaulles**, London (GB)

(73) Assignee: **Hewlett-Packard Development Company, L.P.**, Houston, TX (US)

(\*\*) Term: **14 Years**

(21) Appl. No.: **29/272,428**

(22) Filed: **Feb. 8, 2007**

(51) **LOC (8) Cl.** ..... **06-04**

(52) **U.S. Cl.** ..... **D6/407**

(58) **Field of Classification Search** ..... D8/349,  
D8/354, 380-381; D6/420, 191, 198, 491;  
D12/223; 248/235, 237, 243, 247  
See application file for complete search history.

(56) **References Cited**

**U.S. PATENT DOCUMENTS**

- D264,532 S \* 5/1982 Fether et al. .... D6/491
- D369,568 S \* 5/1996 Sloom ..... D10/111
- D388,823 S \* 1/1998 Bright ..... D19/34.1
- D411,767 S \* 7/1999 Keller ..... D3/273

- D442,062 S \* 5/2001 Kelley et al. .... D8/349
- D462,196 S \* 9/2002 Holub et al. .... D6/429
- D481,350 S \* 10/2003 McCoy et al. .... D12/400
- D511,258 S \* 11/2005 Sandy ..... D6/494

\* cited by examiner

*Primary Examiner*—Elizabeth A Albert  
*Assistant Examiner*—Kelley A Donnelly

(57) **CLAIM**

The ornamental design for a rack for holding entertainment media, as shown and described.

**DESCRIPTION**

FIG. 1 is a front perspective view of a rack for holding entertainment media;

FIG. 2 is a rear perspective view thereof;

FIG. 3 is another front view thereof;

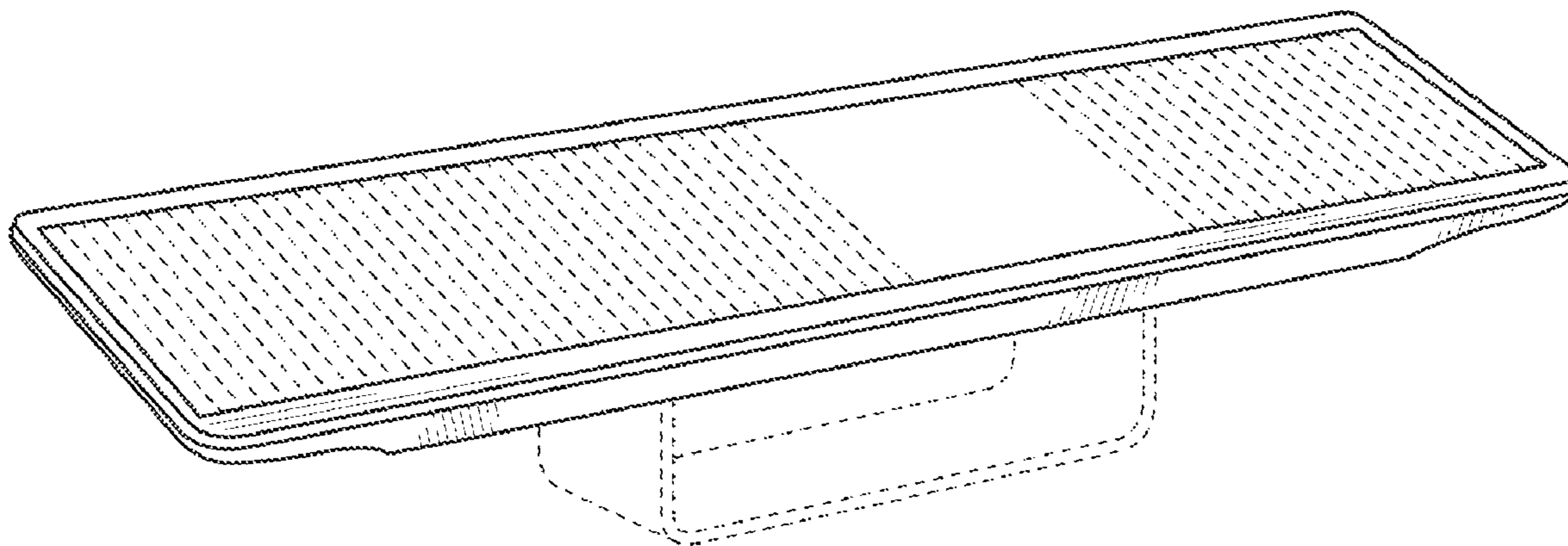
FIG. 4 is an another rear view thereof;

FIG. 5 is a first end view thereof; and,

FIG. 6 is a second end view thereof.

The broken lines showing the stand that protrudes from the back panel used to support the rack and on the top flat surface are included for the purpose of illustrating environment and form no part of the claimed design.

**1 Claim, 2 Drawing Sheets**



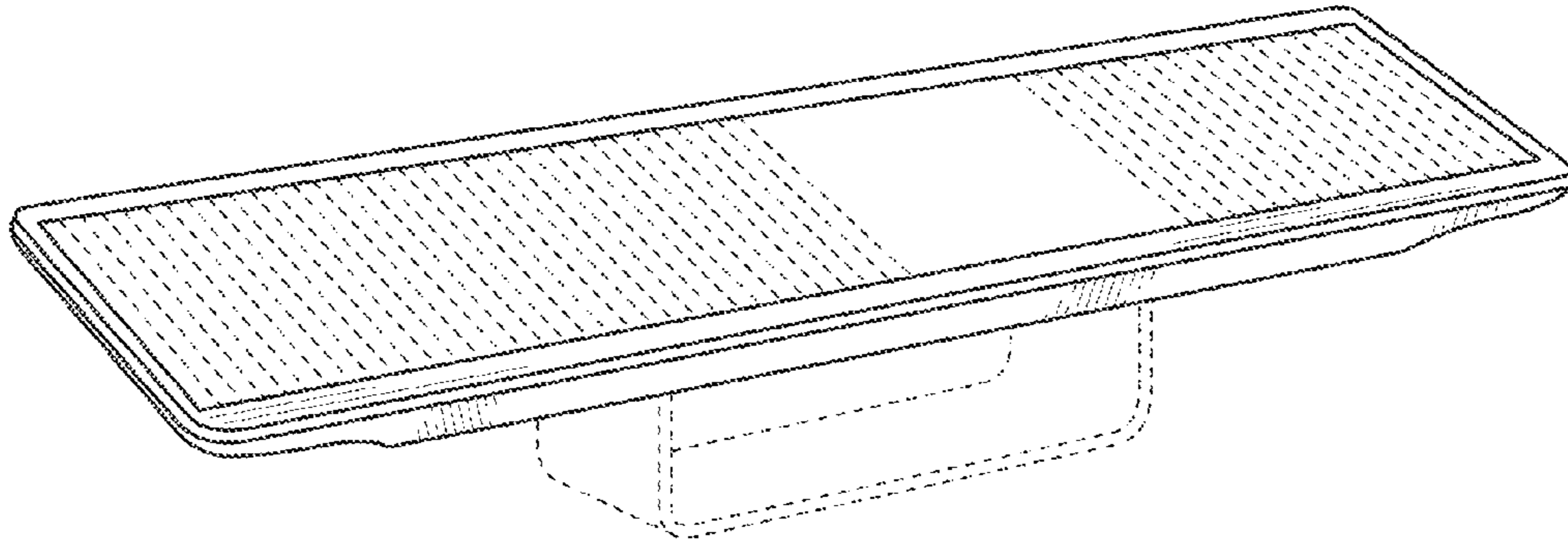


FIG. 1

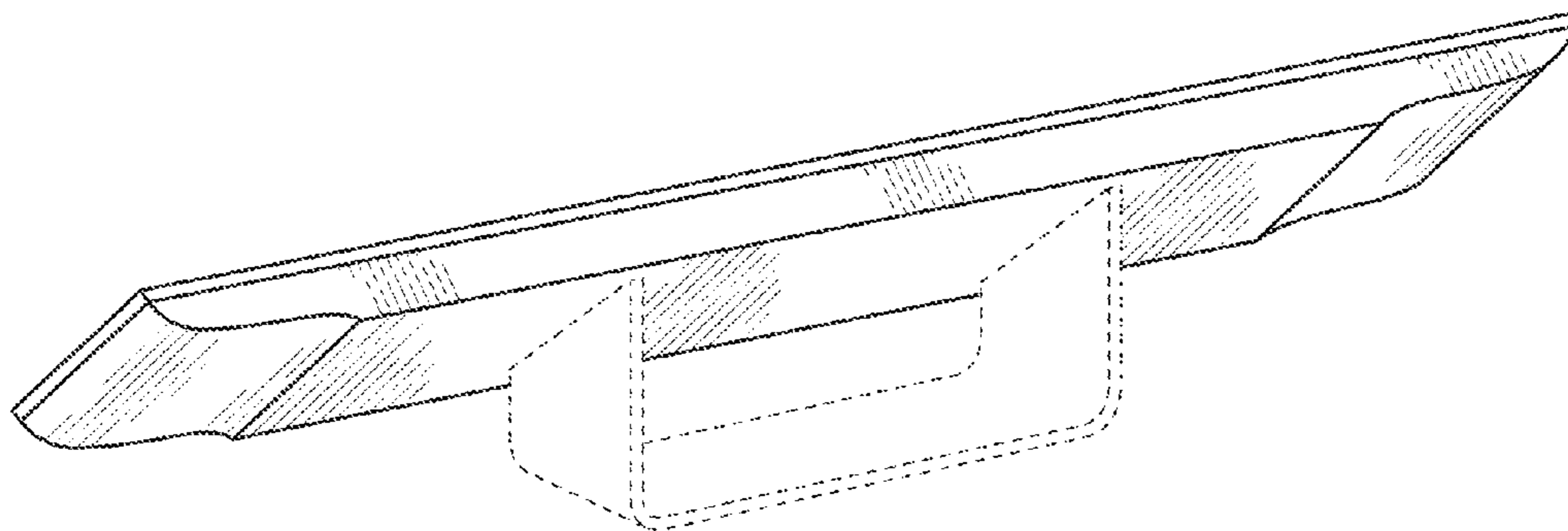


FIG. 2

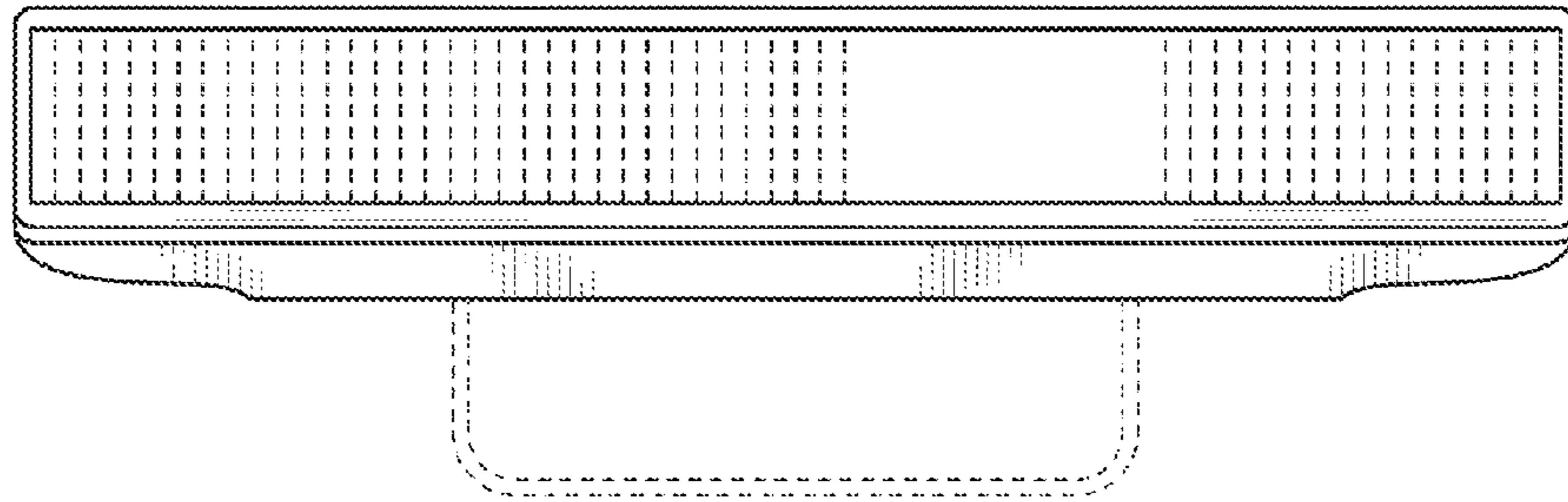


FIG. 3

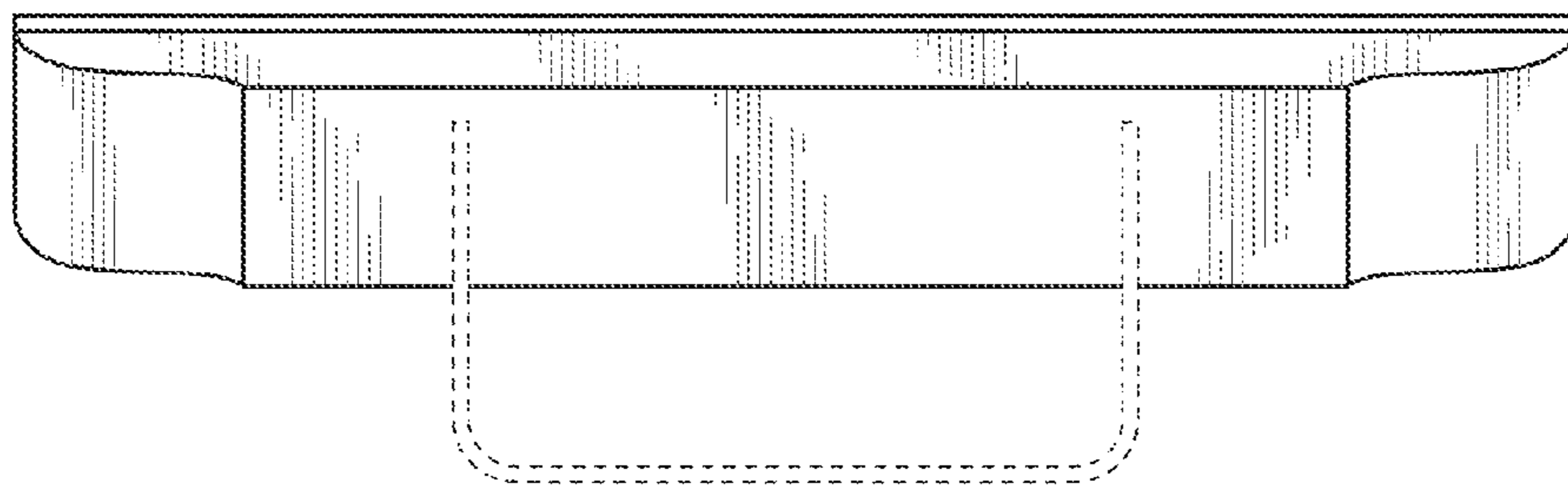


FIG. 4

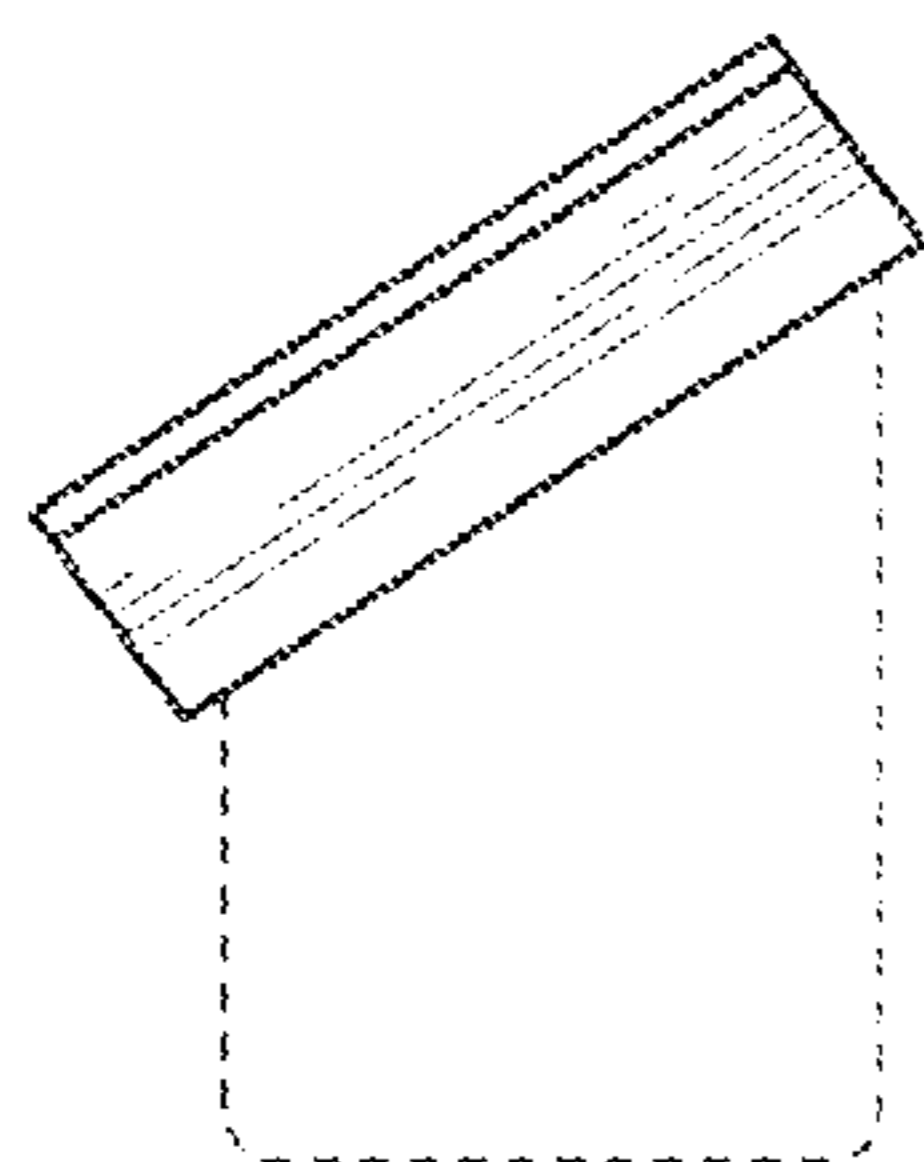


FIG. 5

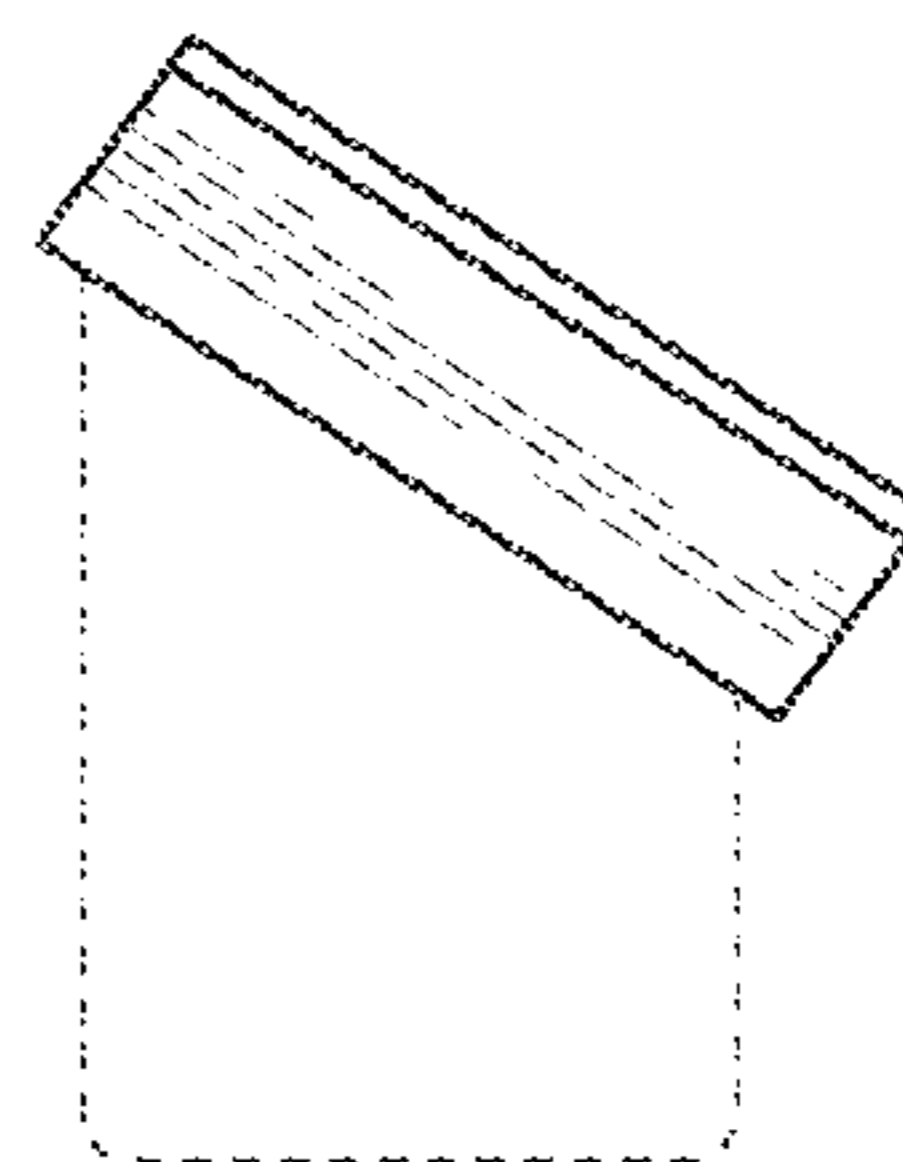


FIG. 6