



US00D577507S

(12) **United States Design Patent**
Collins et al.

(10) **Patent No.:** **US D577,507 S**
(45) **Date of Patent:** **** Sep. 30, 2008**

(54) **WORKBENCH**

(75) Inventors: **Matthew Spencer Collins**, Shefford
(GB); **Matthew Robert Blaylock**, Wells
(GB)

(73) Assignee: **Freeform Design & Innovation**
Limited (GB)

(**) Term: **14 Years**

(21) Appl. No.: **29/296,904**

(22) Filed: **Oct. 31, 2007**

(30) **Foreign Application Priority Data**

May 3, 2007 (EM) 000719109-0001

(51) **LOC (8) Cl.** **06-03**

(52) **U.S. Cl.** **D6/400**

(58) **Field of Classification Search** D6/400,
D6/396, 397, 477, 498, 465, 461, 455, 478,
D6/514, 629, 355, 349, 430, 429; 269/16,
269/139, 220, 154, 147; 108/29, 27, 64,
108/59, 42, 56.1, 115, 158.12, 157.16, 127;
312/280, 430; 144/286.1; D15/141

See application file for complete search history.

(56) **References Cited**

U.S. PATENT DOCUMENTS

2,978,754	A	4/1961	Wilson	
3,005,670	A	10/1961	Schultz	
3,101,064	A	8/1963	Kanzelberger et al.	
D230,801	S *	3/1974	Hickman	D6/400
D250,079	S *	10/1978	Hickman et al.	D6/400
4,155,386	A *	5/1979	Alessio	144/286.1
4,199,135	A *	4/1980	Wohrle et al.	269/100
D256,533	S *	8/1980	Alessio	D6/400
D256,641	S *	9/1980	Wilson et al.	D6/400
4,252,304	A *	2/1981	Pettican	269/139
4,278,243	A *	7/1981	Alessio	269/16
D266,128	S *	9/1982	Ferdinand et al.	D6/400
4,378,107	A *	3/1983	Wagster et al.	269/95
4,643,103	A	2/1987	Jorgensen	
4,646,657	A	3/1987	Zollinger	
4,909,491	A *	3/1990	Cheng	269/16
D374,996	S *	10/1996	Noniewicz	D6/400
5,806,947	A *	9/1998	Meisner et al.	312/280

5,823,595	A	10/1998	Tronco	
5,924,684	A *	7/1999	Cheng	269/139
5,950,999	A *	9/1999	Lin	269/139
6,113,088	A *	9/2000	Gakhar et al.	269/139
D432,810	S *	10/2000	Eckhoff et al.	D6/400
6,286,824	B1	9/2001	Sagol	
D448,948	S *	10/2001	Wolff	D6/400
D491,962	S *	6/2004	Laga	D15/141
6,769,674	B2 *	8/2004	Chang	269/139
2003/0214088	A1 *	11/2003	Chang	269/139

FOREIGN PATENT DOCUMENTS

DE	1813525	A1	12/1968
DE	3240772	A1	4/1983
EP	758576	A1 *	2/1997
GB	108288	A	8/1917
GB	2028642	A *	3/1980
GB	2389557	A *	12/2003
WO	WO 9805464	A1 *	2/1998
WO	WO 9908840	A1 *	2/1999

* cited by examiner

Primary Examiner—Caron D. Veynar

Assistant Examiner—Sydney R Buffalow

(74) *Attorney, Agent, or Firm*—BainwoodHuang

(57) **CLAIM**

The ornamental design for a workbench, as shown and described.

DESCRIPTION

FIG. 1 is a top-right-front perspective view of a workbench according to our new design;

FIG. 2 is a bottom-left-rear perspective view thereof;

FIG. 3 is a front view thereof;

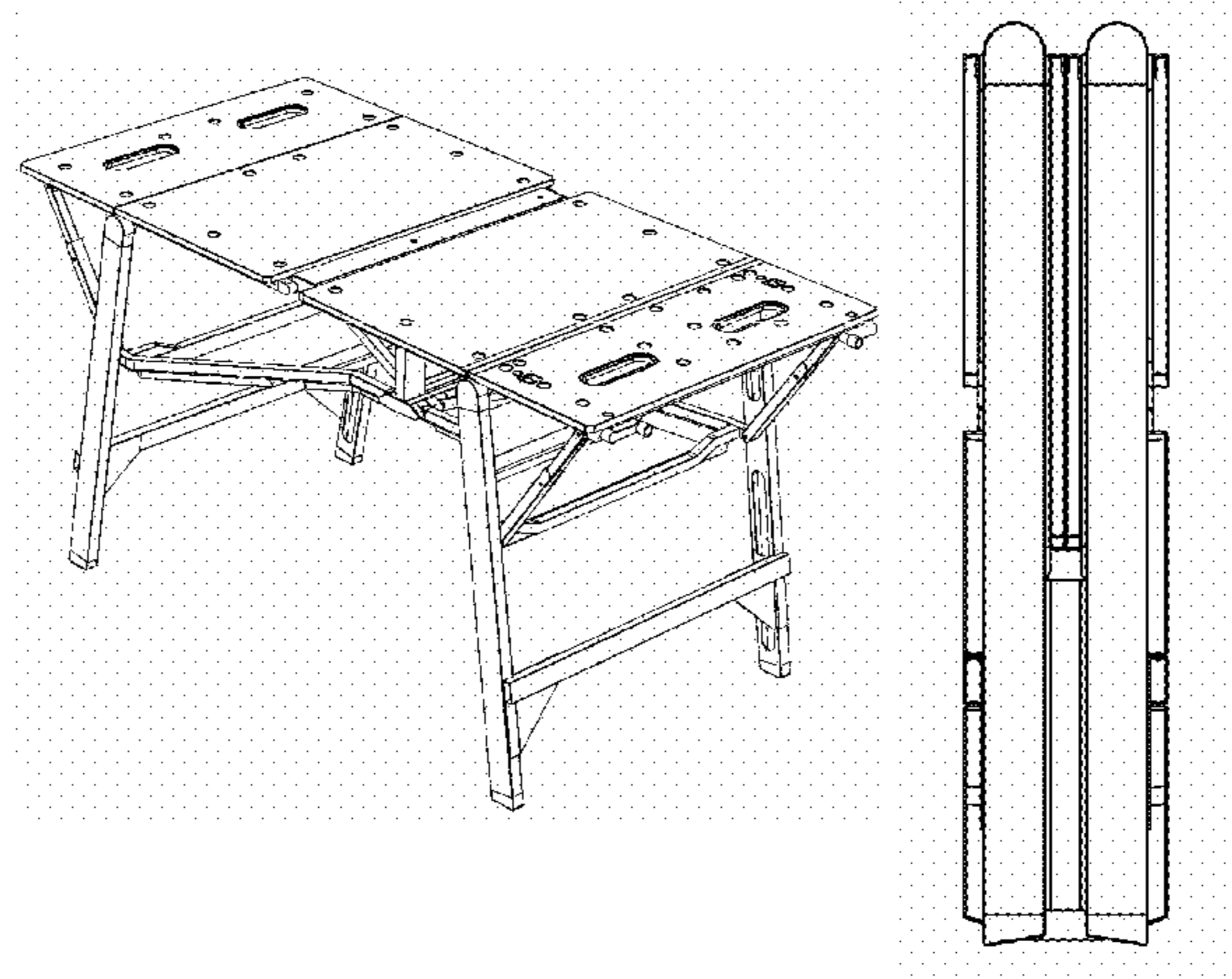
FIG. 4 is a top view thereof; and

FIG. 5 is a right side view thereof.

FIG. 6 is a top perspective view of the workbench of FIG. 1 in a collapsed state; and,

FIG. 7 is a front view thereof.

1 Claim, 7 Drawing Sheets



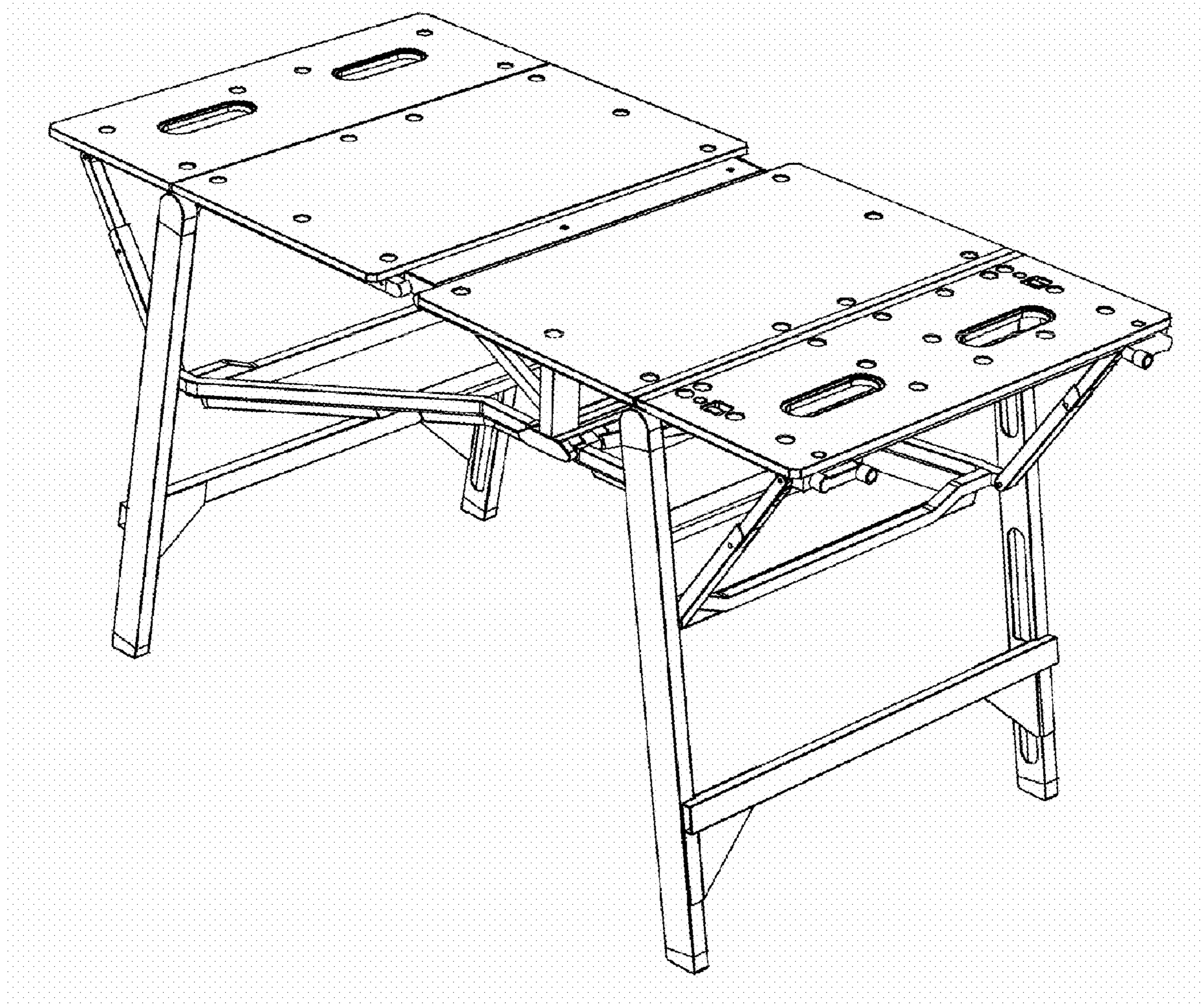


FIG. 1

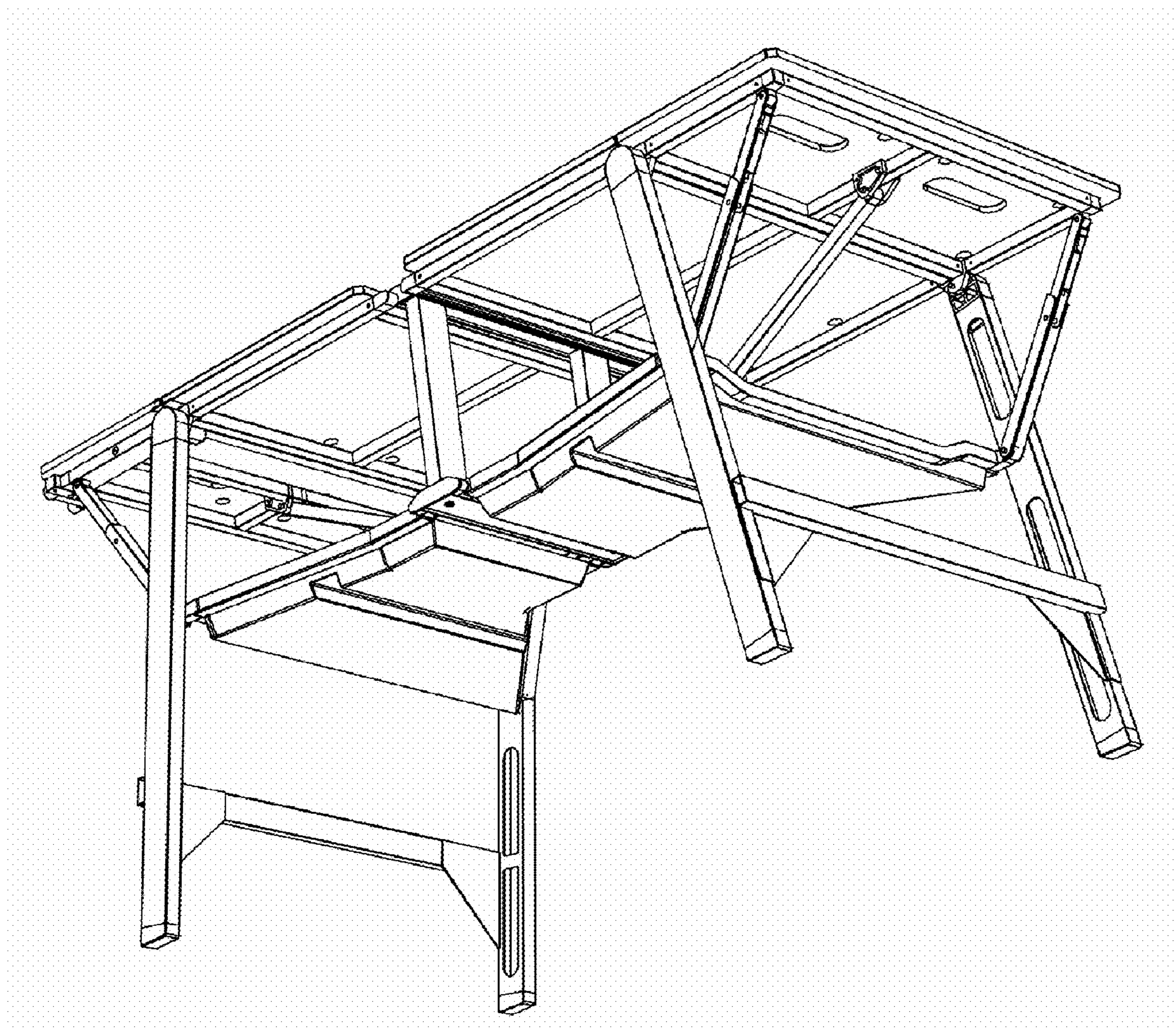


FIG. 2

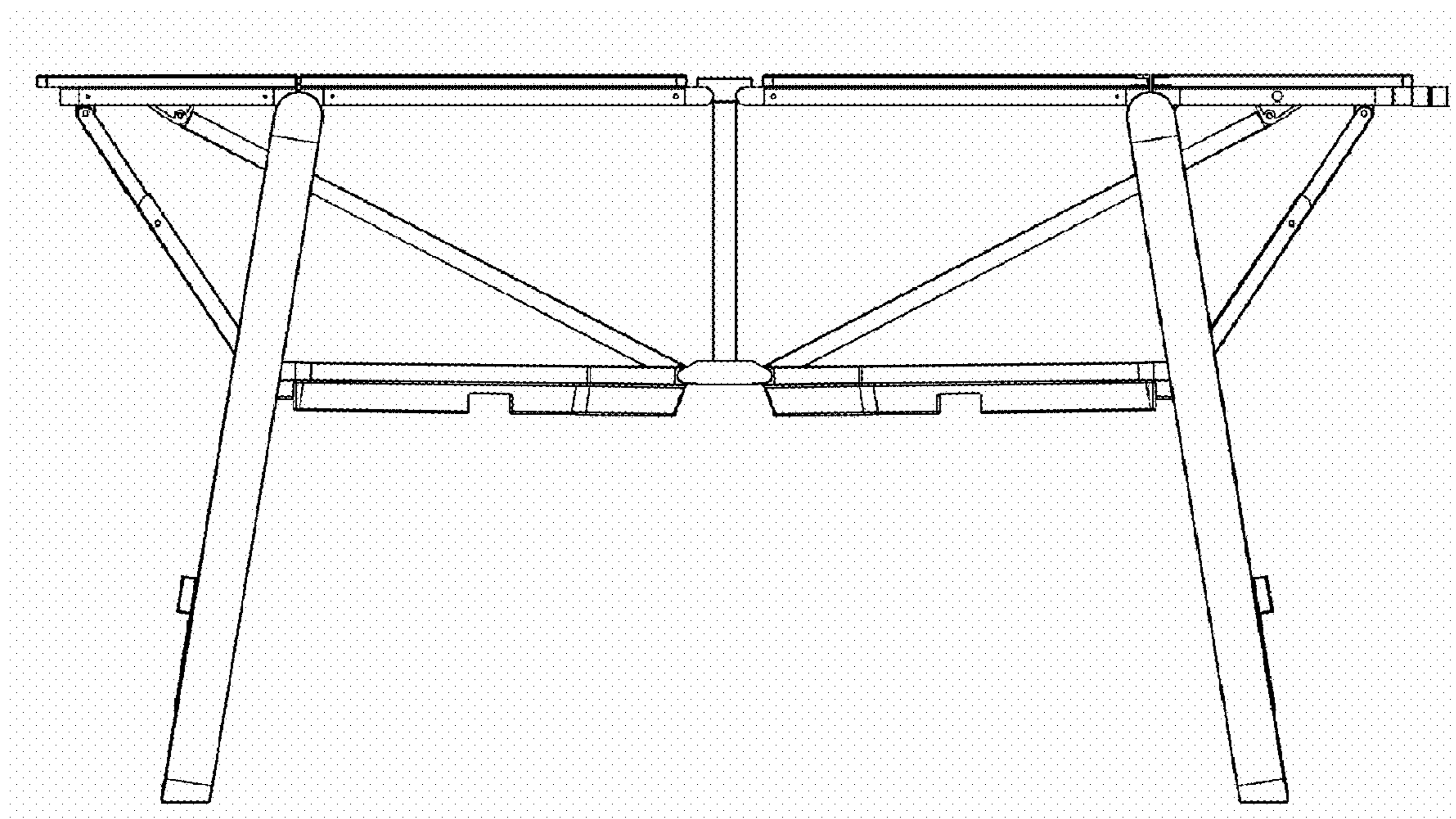


FIG. 3

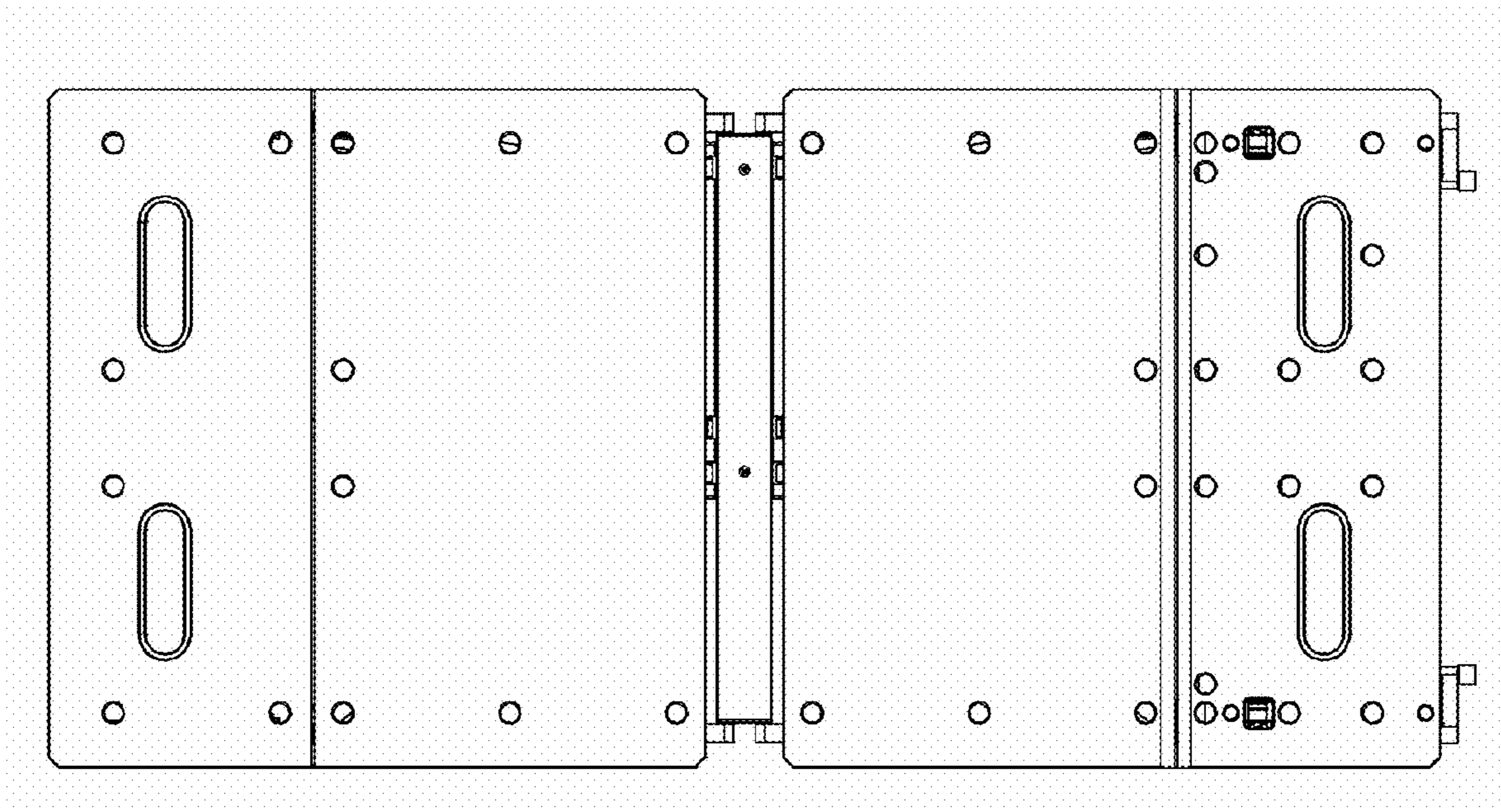


FIG. 4

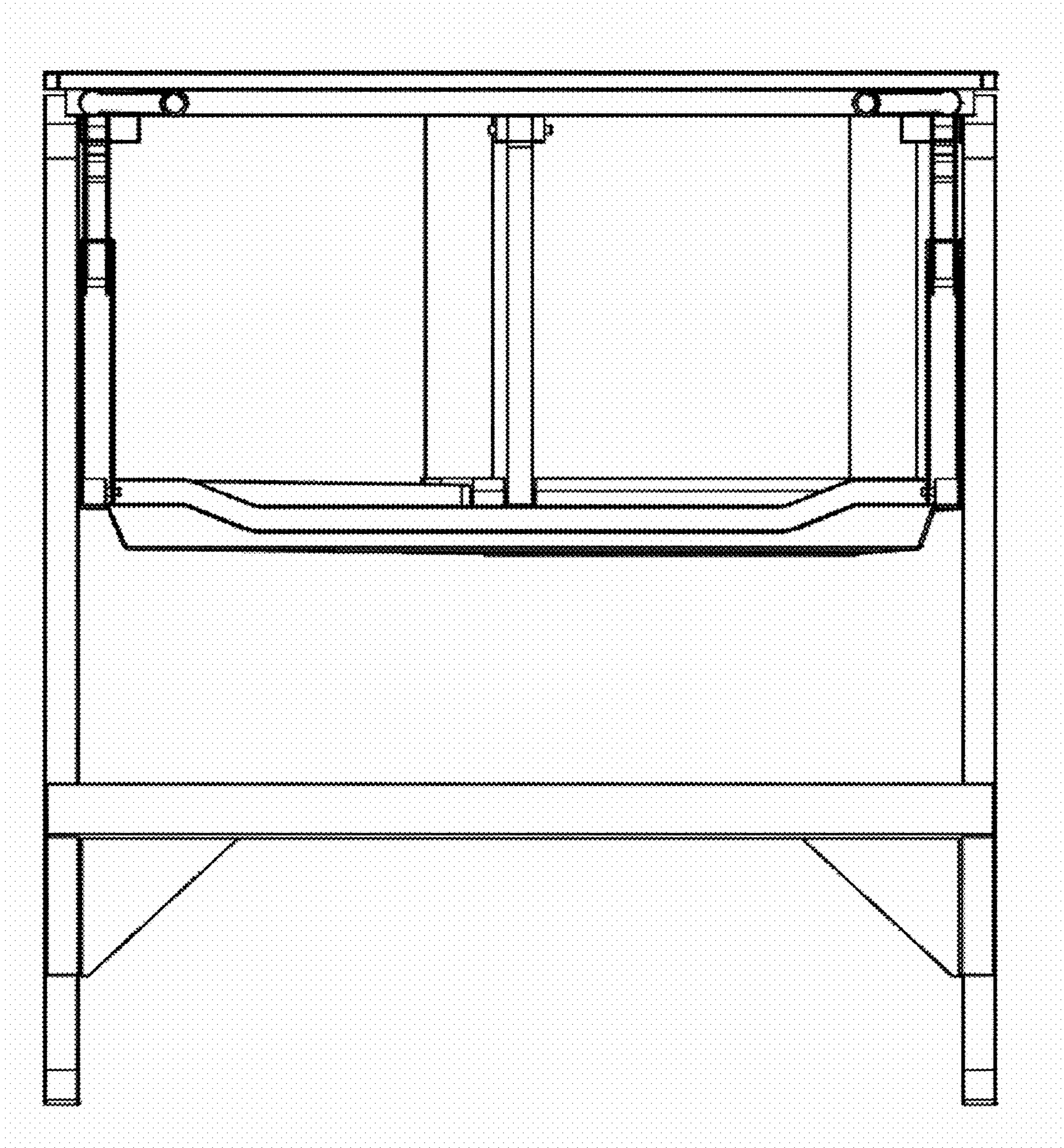


FIG. 5

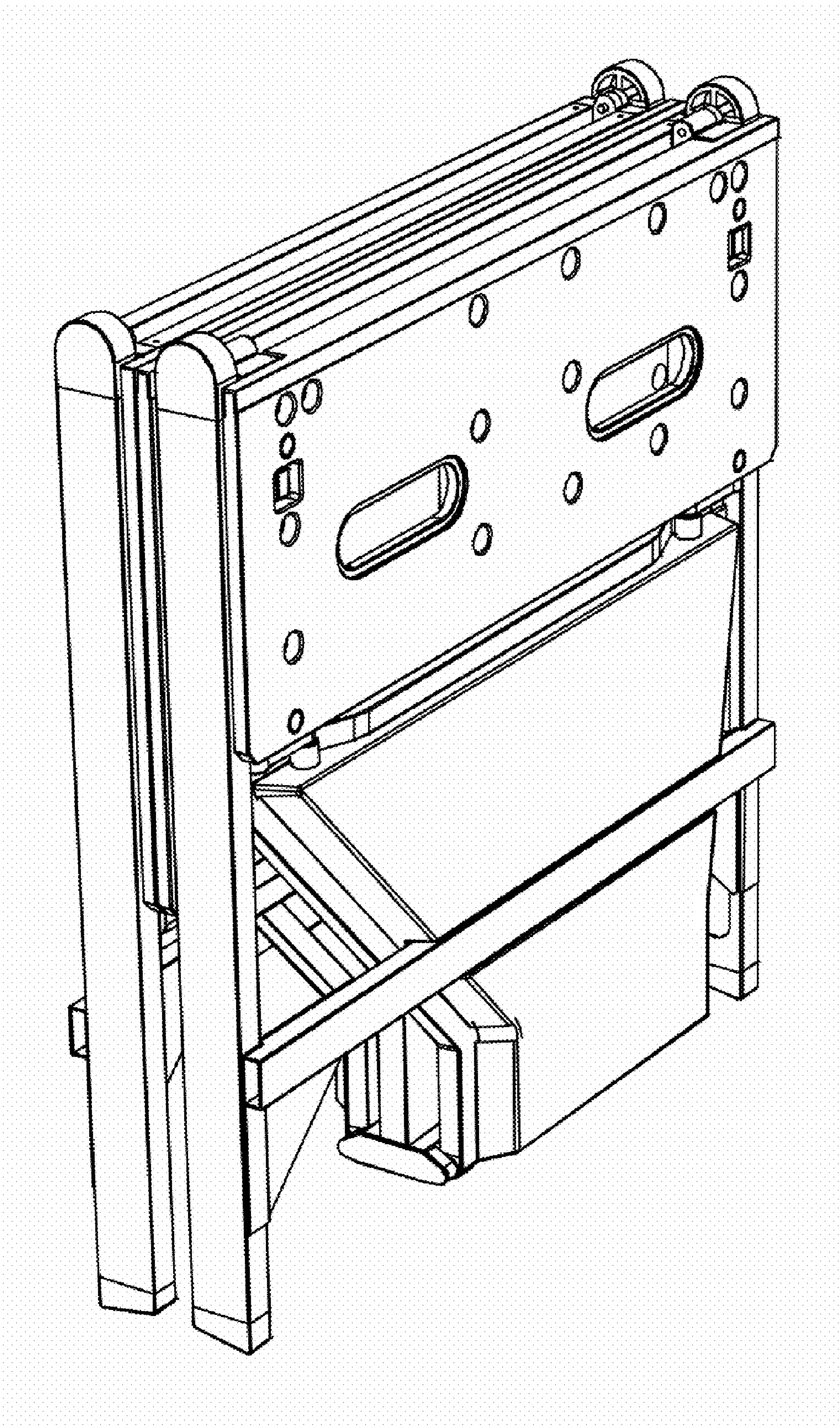


FIG. 6

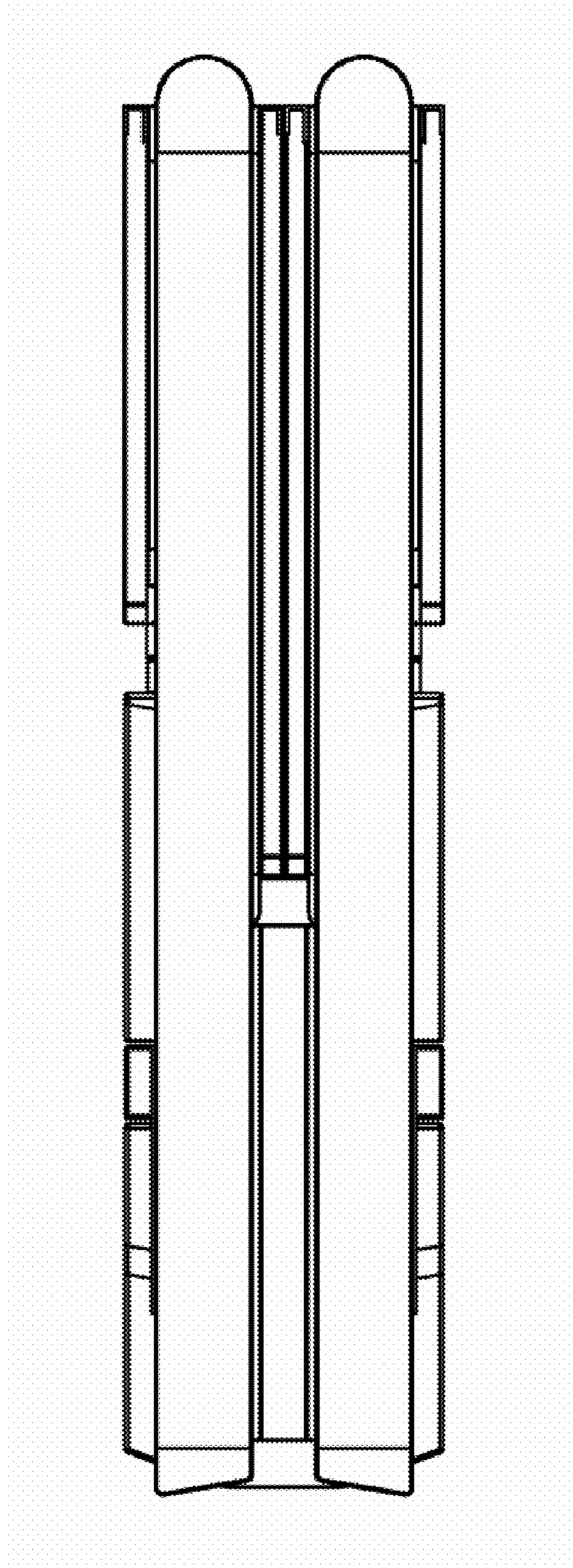


FIG. 7

UNITED STATES PATENT AND TRADEMARK OFFICE
CERTIFICATE OF CORRECTION

PATENT NO. : Des. 577,507 S
APPLICATION NO. : 29/296904
DATED : September 30, 2008
INVENTOR(S) : Matthew Spencer Collins and Matthew Robert Blaylock

Page 1 of 1

It is certified that error appears in the above-identified patent and that said Letters Patent is hereby corrected as shown below:

Title page Item [56] Under References Cited on page 1 "WO WO9805464 A1 * 2/1998" should read --WO WO9805474 A1 * 2/1998--.

Signed and Sealed this

Eighteenth Day of November, 2008

A handwritten signature in black ink that reads "Jon W. Dudas". The signature is written in a cursive, slightly stylized font.

JON W. DUDAS

Director of the United States Patent and Trademark Office