



US00D577502S

(12) **United States Design Patent**
Fisette et al.

(10) **Patent No.:** **US D577,502 S**
(45) **Date of Patent:** **** Sep. 30, 2008**

(54) **AIRCRAFT PASSENGER SEAT**

(75) Inventors: **Armand Fisette**, Thousand Oaks, CA
(US); **Magnus Aspegren**, Santa Monica,
CA (US)

(73) Assignee: **Embraer - Empresa Brasileira De**
Aeronautica S.A., Sao Jose Dos Campos
- SP (BR)

(**) Term: **14 Years**

(21) Appl. No.: **29/296,628**

(22) Filed: **Oct. 24, 2007**

(51) **LOC (8) Cl.** **06-01**

(52) **U.S. Cl.** **D6/356; D6/364**

(58) **Field of Classification Search** D6/334-336,
D6/344, 356, 364, 365, 375, 500-502; 297/445.1,
297/451.4, 451.5, 452.35

See application file for complete search history.

(56) **References Cited**

U.S. PATENT DOCUMENTS

- D134,560 S * 12/1942 Fletcher D6/356
- D188,417 S * 7/1960 Mason D6/344
- D193,847 S * 10/1962 Mason D6/375
- D211,169 S * 5/1968 Dwyer D6/336
- D219,584 S * 12/1970 McQueen D6/356
- D219,813 S * 2/1971 McQueen D6/356

- D222,745 S * 12/1971 Bernard D6/364
- D283,469 S * 4/1986 Zimmerman D6/356
- D283,470 S * 4/1986 Zimmerman D6/356
- D508,787 S * 8/2005 Natuzzi D6/364

* cited by examiner

Primary Examiner—Mimosa De

(74) *Attorney, Agent, or Firm*—Nixon & Vanderhye P.C.

(57) **CLAIM**

The ornamental design for an “aircraft passenger seat,” as shown and described.

DESCRIPTION

The subject matter disclosed herein is related to U.S. patent application Ser. No. 11/923,446 filed concurrently herewith, the entire content of which is expressly incorporated hereinto by reference

FIG. 1 is a front perspective view of an aircraft passenger seat which embodies my new and original design therefore;

FIG. 2 is a front elevational view thereof;

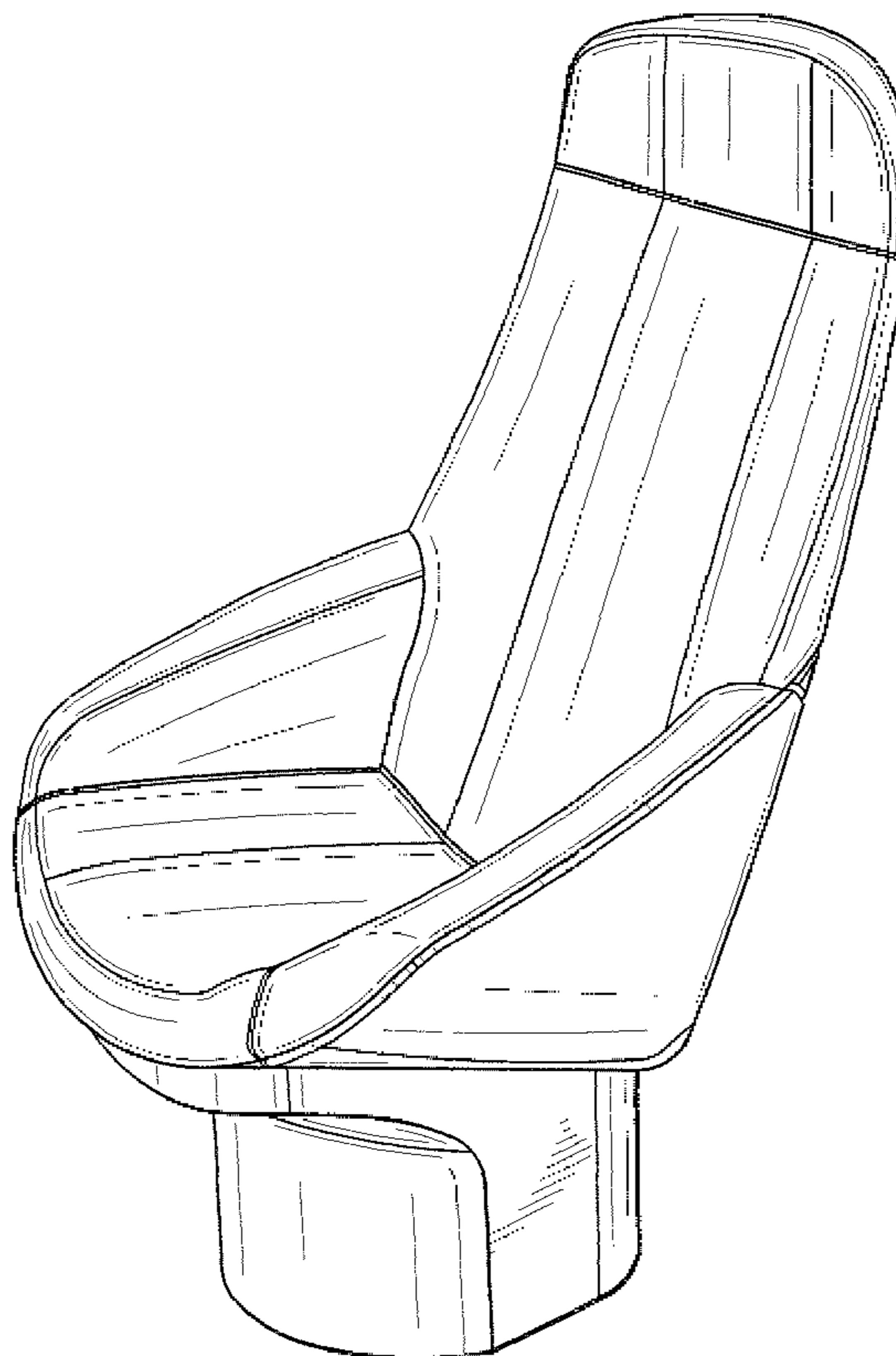
FIG. 3 is a rear elevational view thereof;

FIG. 4 is a top plan view thereof;

FIG. 5 is a bottom plan view thereof; and,

FIG. 6 is a left side elevational view thereof, the right side elevational view being a mirror image thereof.

1 Claim, 5 Drawing Sheets



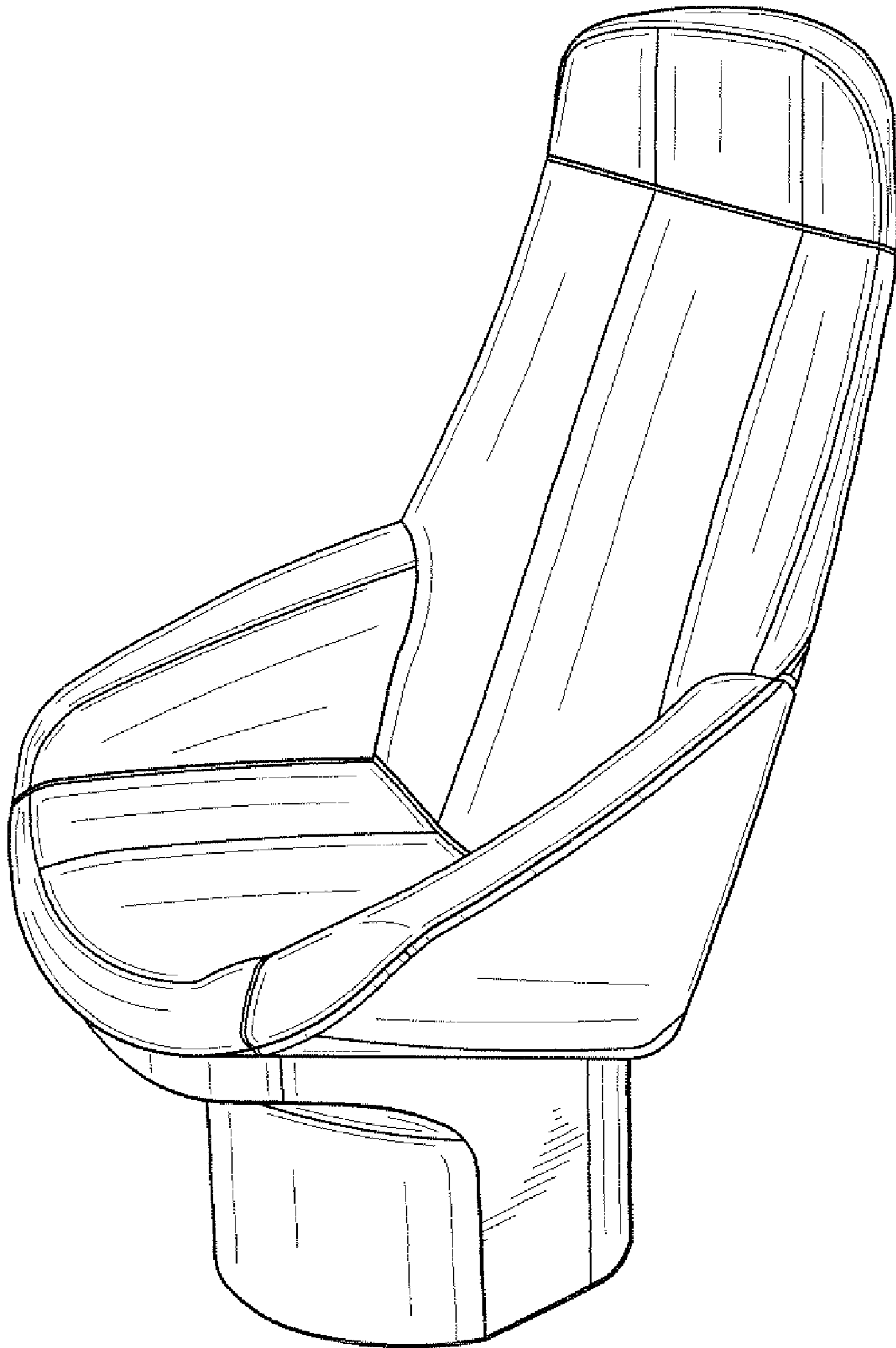


FIG. 1

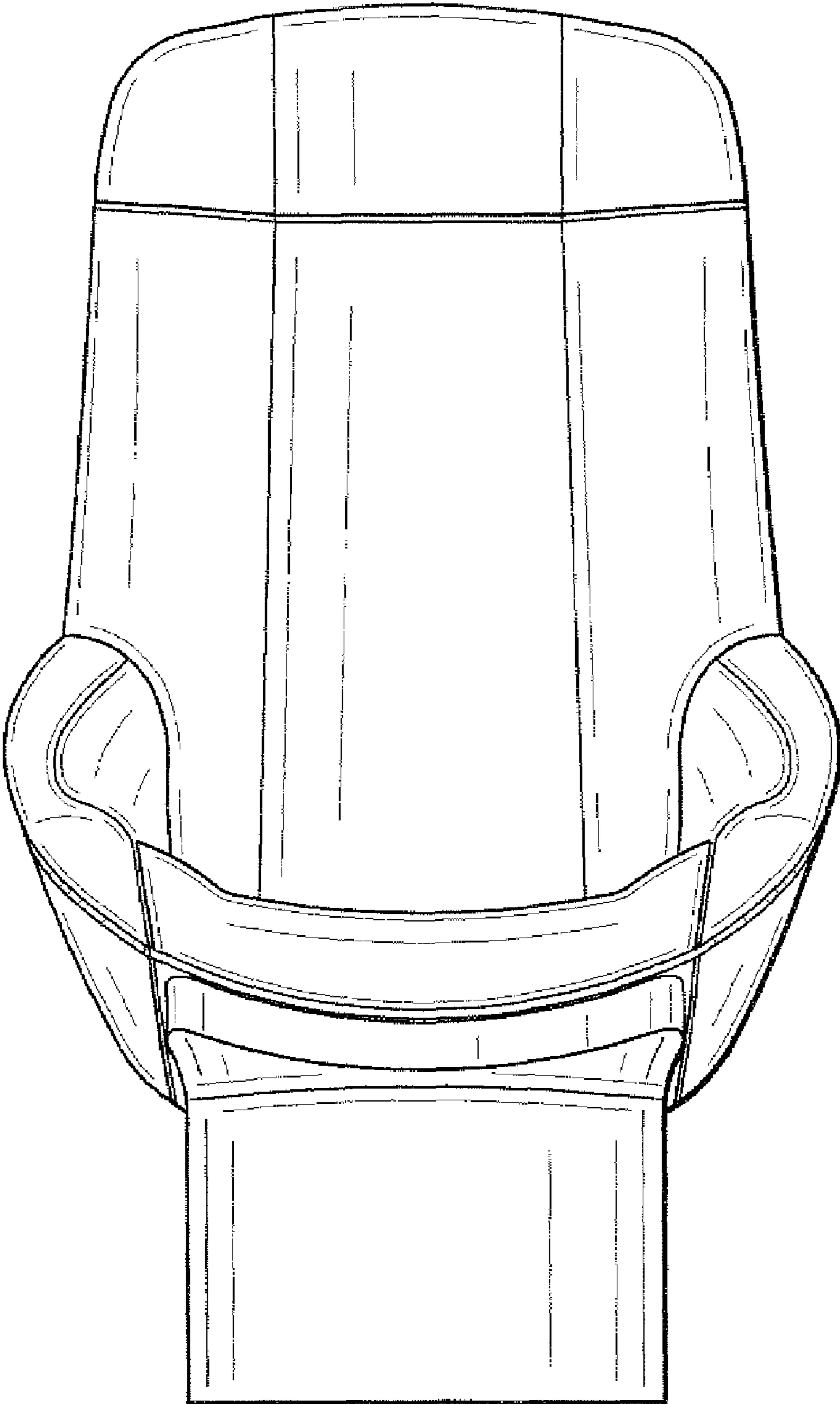


FIG. 2

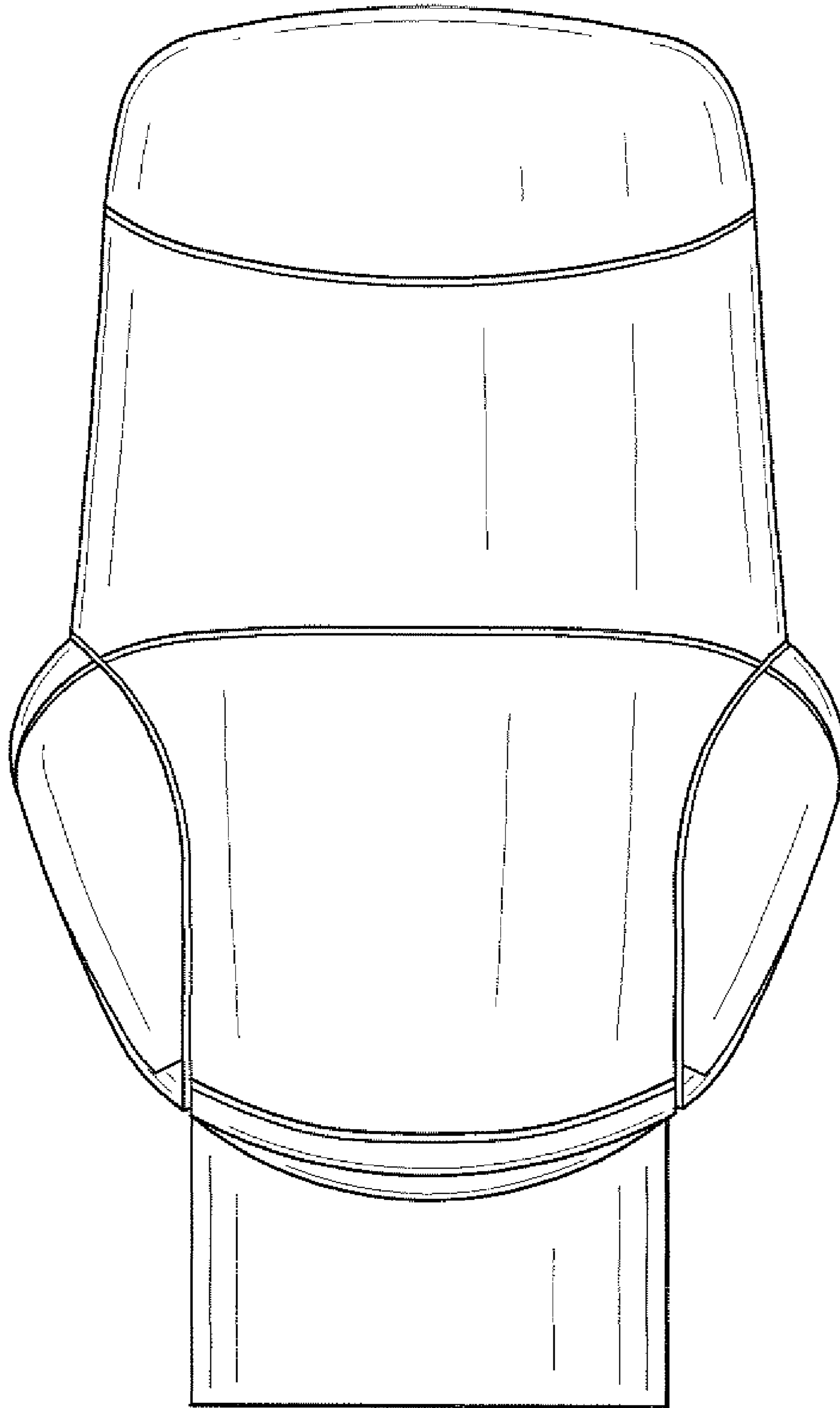


FIG. 3

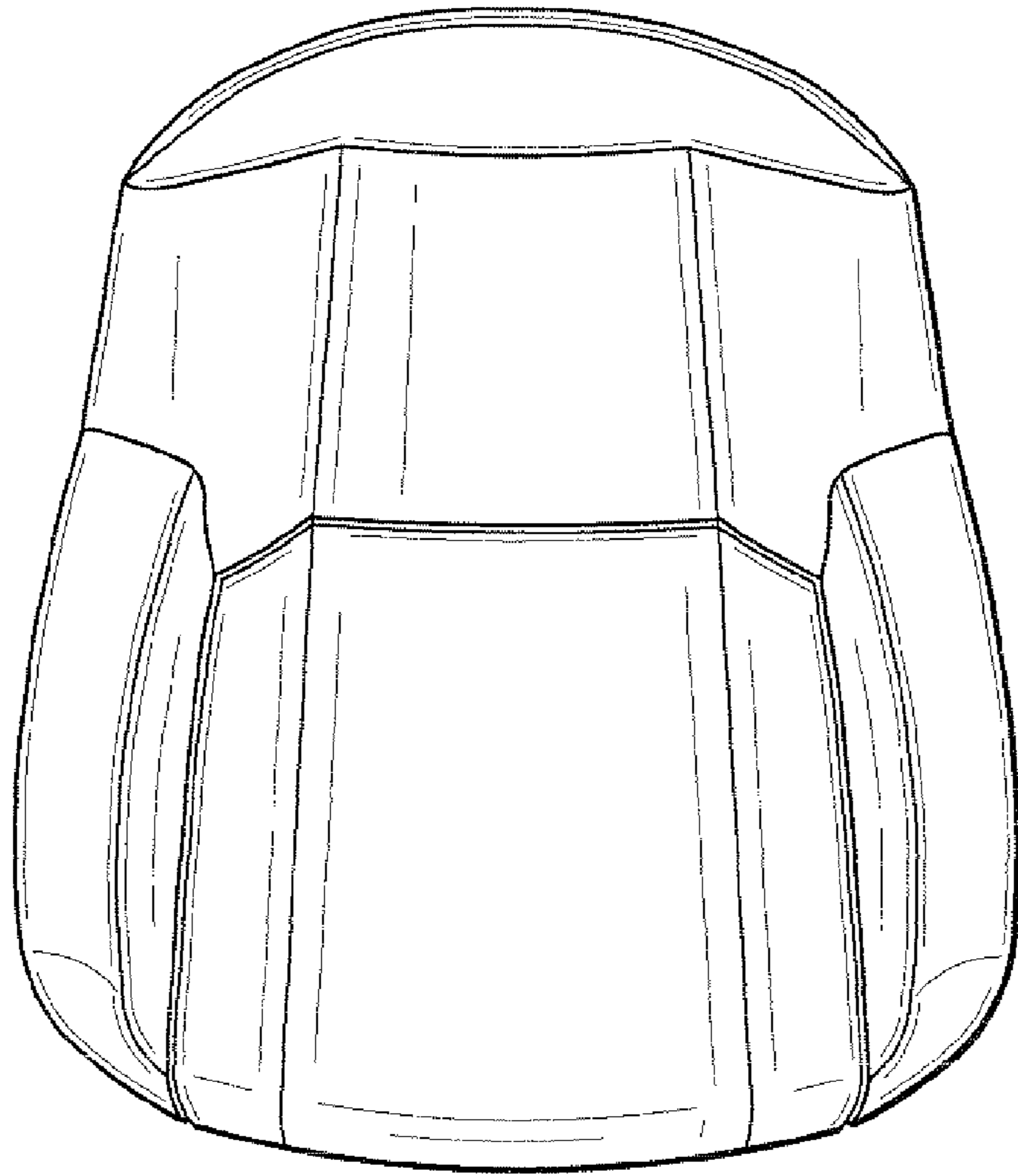


FIG. 4

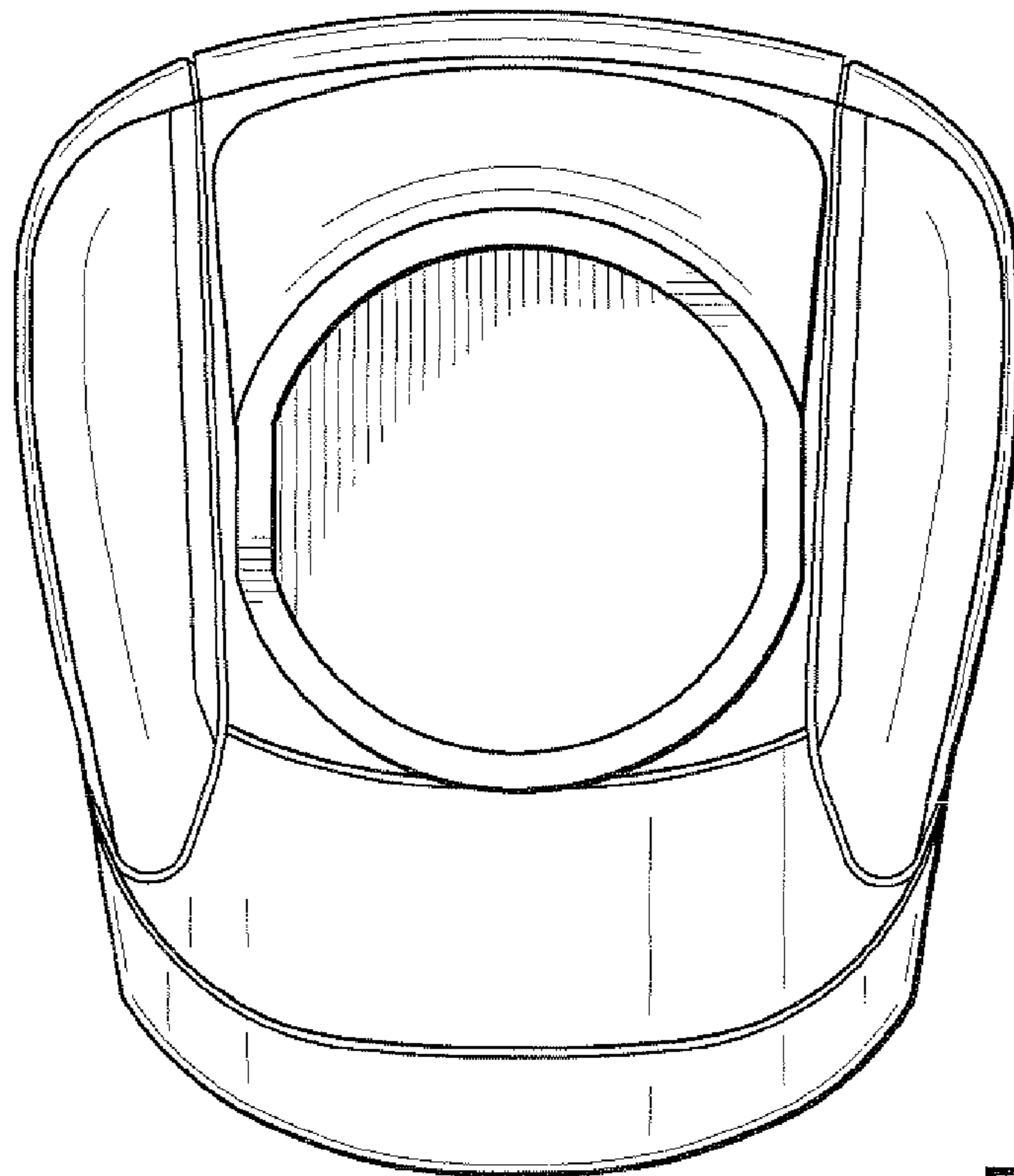


FIG. 5

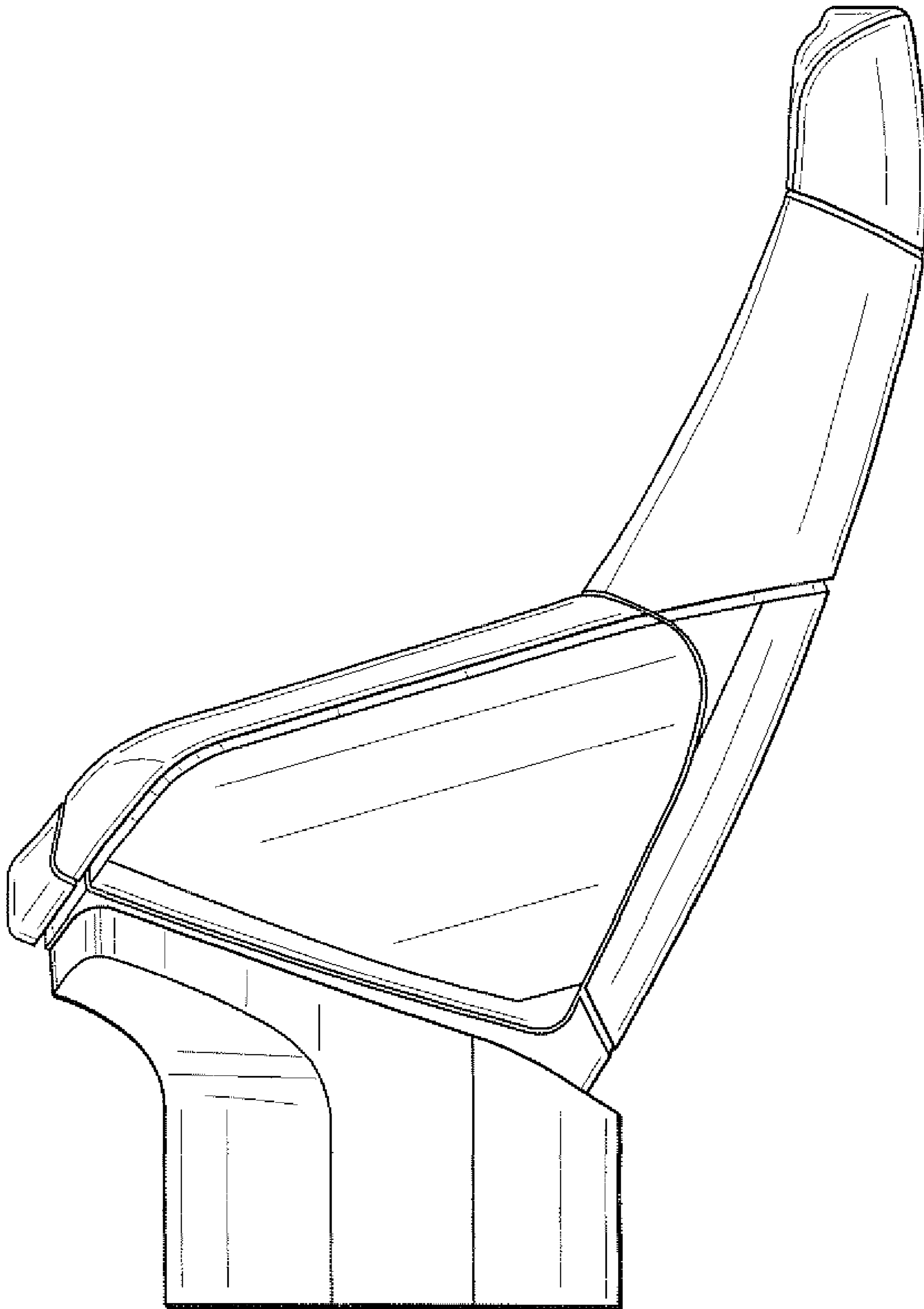


FIG. 6