



US00D577489S

(12) **United States Design Patent**
Debowiecki

(10) **Patent No.:** **US D577,489 S**

(45) **Date of Patent:** **** Sep. 30, 2008**

(54) **PERSONAL CARRYING CONTAINER**

(76) Inventor: **Linda Debowiecki**, 527 N. Myrtle,
Elmhurst, IL (US) 60126

(**) Term: **14 Years**

(21) Appl. No.: **29/260,183**

(22) Filed: **May 16, 2006**

(51) **LOC (8) Cl.** **03-01**

(52) **U.S. Cl.** **D3/315**

(58) **Field of Classification Search** D3/274,
D3/283-285, 303-304, 306-311, 313, 201,
D3/315, 905, 318-319; 190/109; 206/214,
206/381, 1.7-1.9; 224/904; D9/414; D19/35,
D19/36, 65, 75, 77, 99, 81-85, 100; D6/524,
D6/525, 574; 150/112-113

See application file for complete search history.

(56) **References Cited**

U.S. PATENT DOCUMENTS

1,677,276	A *	7/1928	Deicken	312/236
4,754,883	A *	7/1988	Grzywa	224/400
D358,710	S *	5/1995	Meyers et al.	D3/310
6,138,831	A *	10/2000	Agostinelli	206/541
D440,047	S *	4/2001	Crump	D3/319
D459,078	S *	6/2002	Tondino	D3/313
D495,139	S *	8/2004	Sullivan	D3/310

D509,249 S * 9/2005 Nelson et al. D19/75
2005/0263468 A1 * 12/2005 Wanda 211/133.6

* cited by examiner

Primary Examiner—Louis S Zarfaz

Assistant Examiner—Kathleen M Sims

(74) *Attorney, Agent, or Firm*—Soula Skokos, Esq.

(57) **CLAIM**

The ornamental design for a personal carrying container, as shown.

DESCRIPTION

FIG. 1 is a perspective view of a personal carrying container, showing my new design;

FIG. 2 is a perspective view thereof with personal items added;

FIG. 3 is an exploded view thereof;

FIG. 4 is a top view thereof;

FIG. 5 is a side view thereof; and,

FIG. 6 is a bottom view thereof.

The broken line showing of personal items in FIG. 2 is included for the purpose of illustrating environmental portions of the personal carrying container and forms no part of the claimed design.

1 Claim, 6 Drawing Sheets

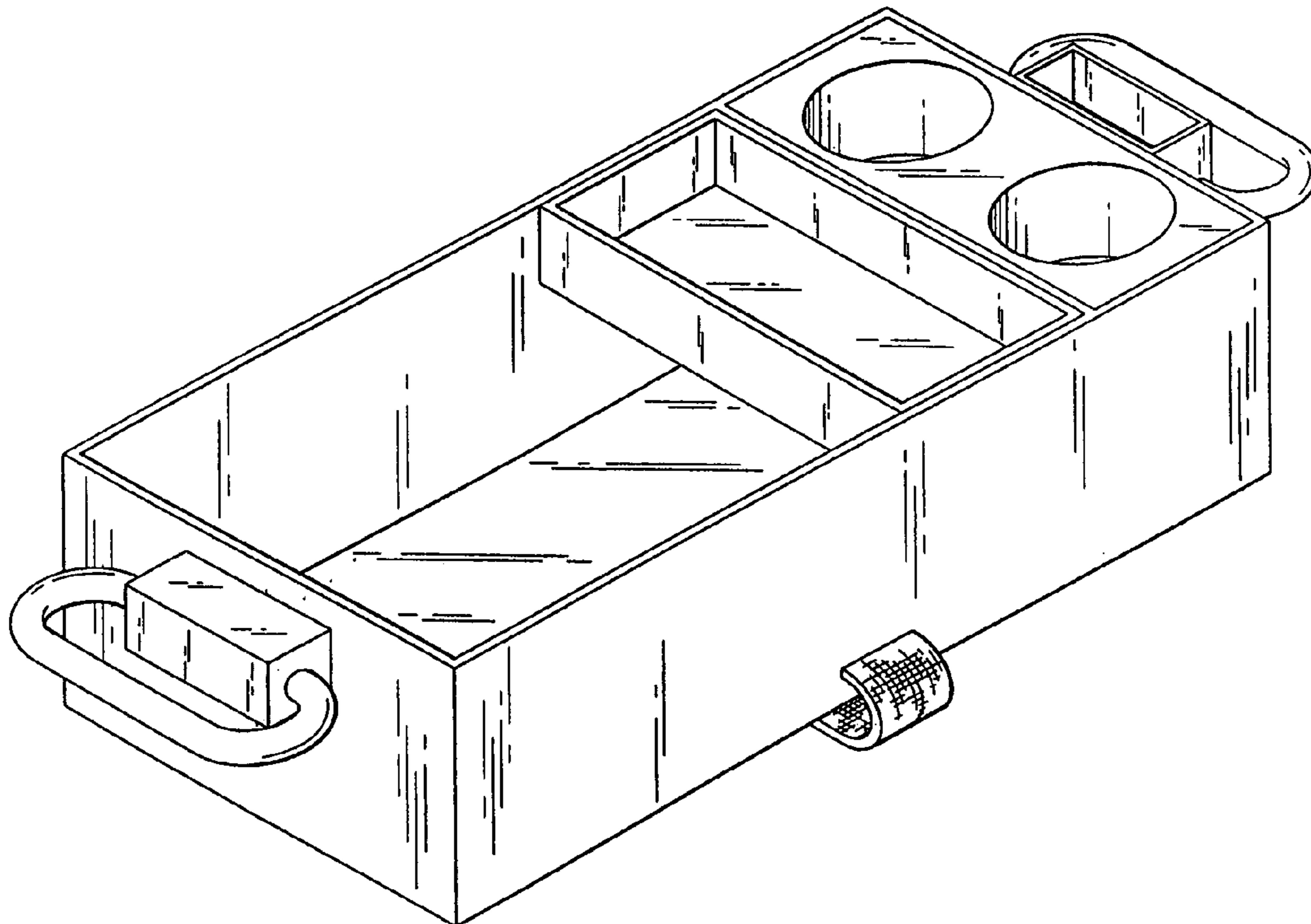


FIG. 1

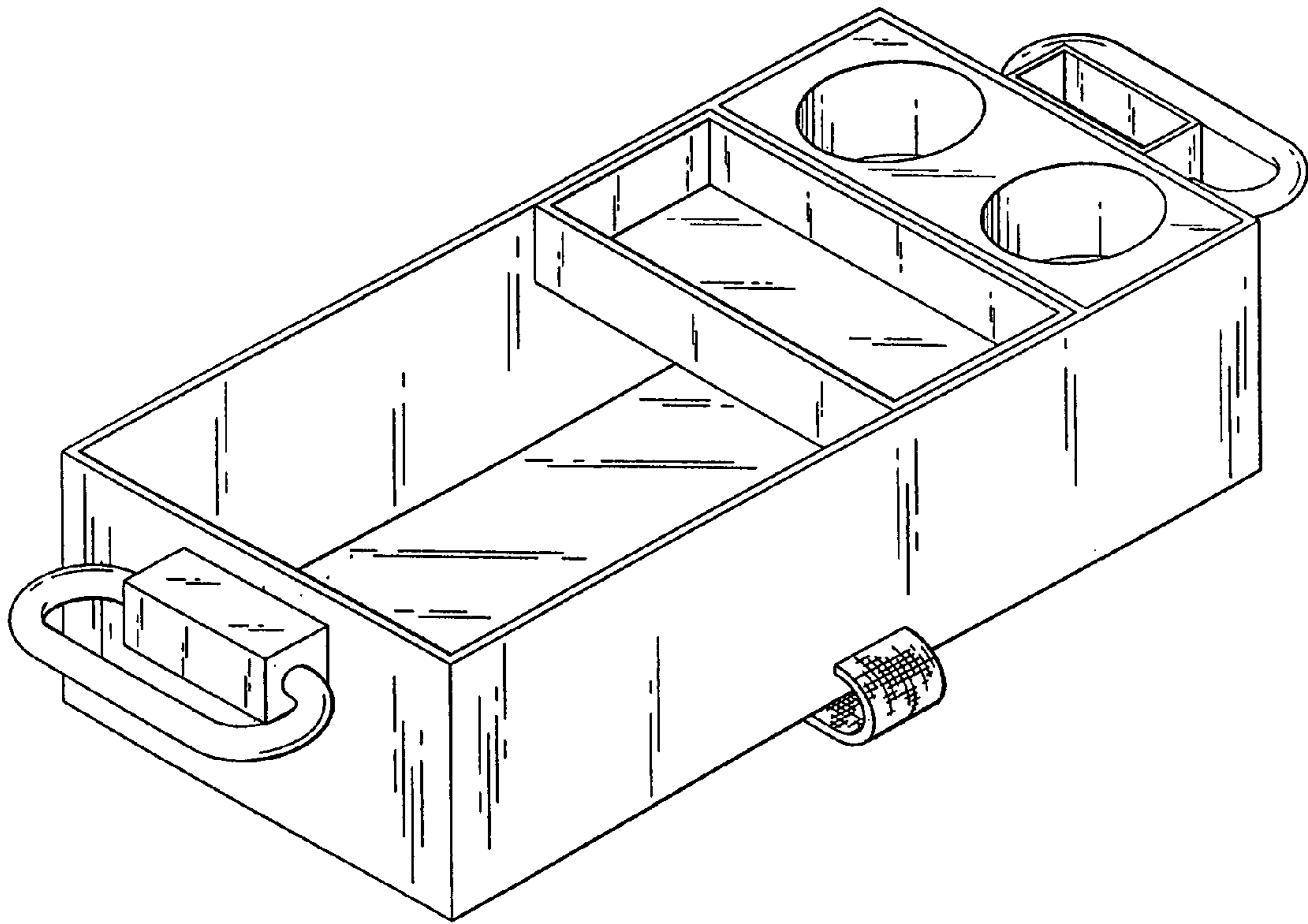


FIG. 2

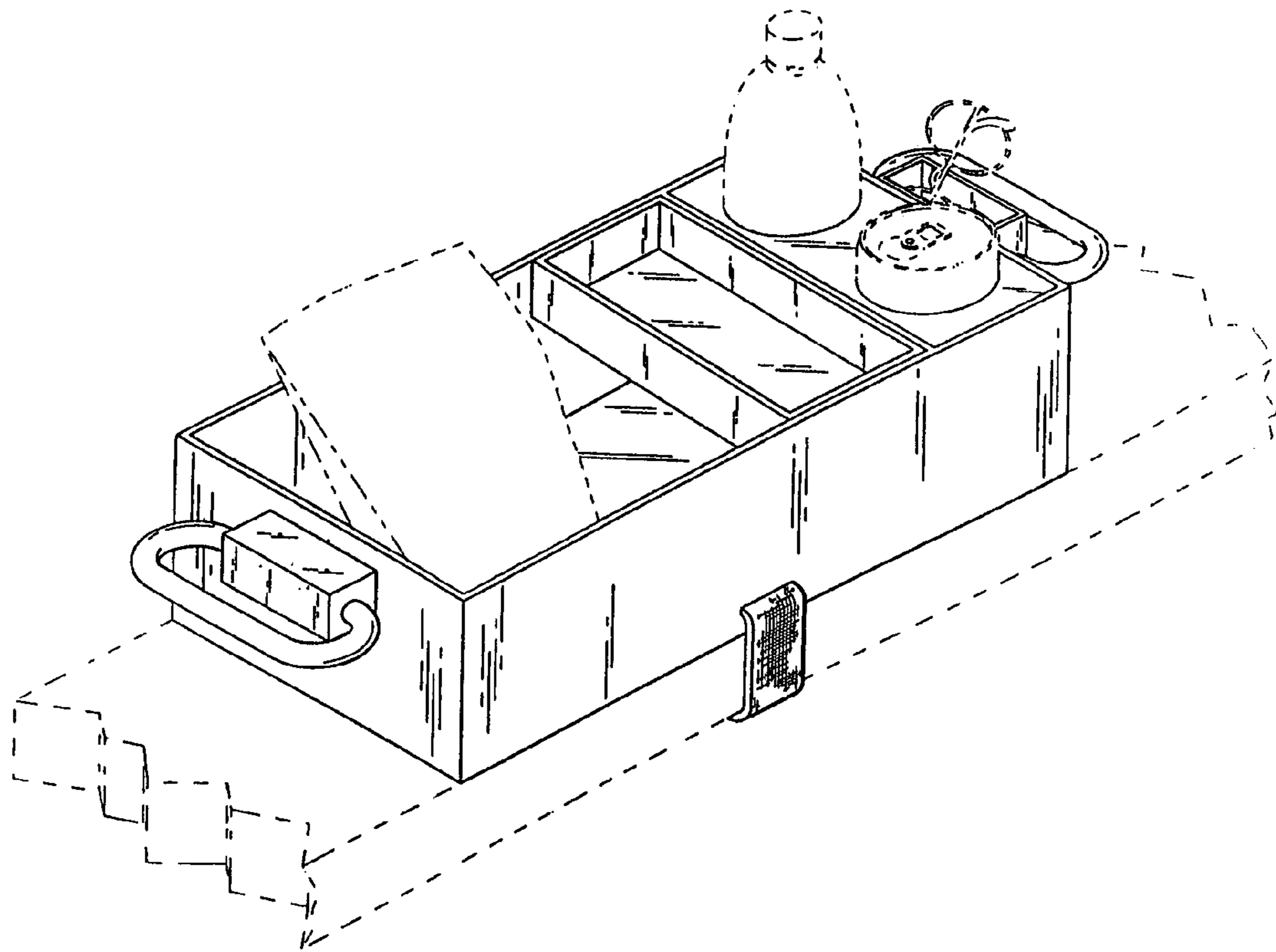


FIG. 3

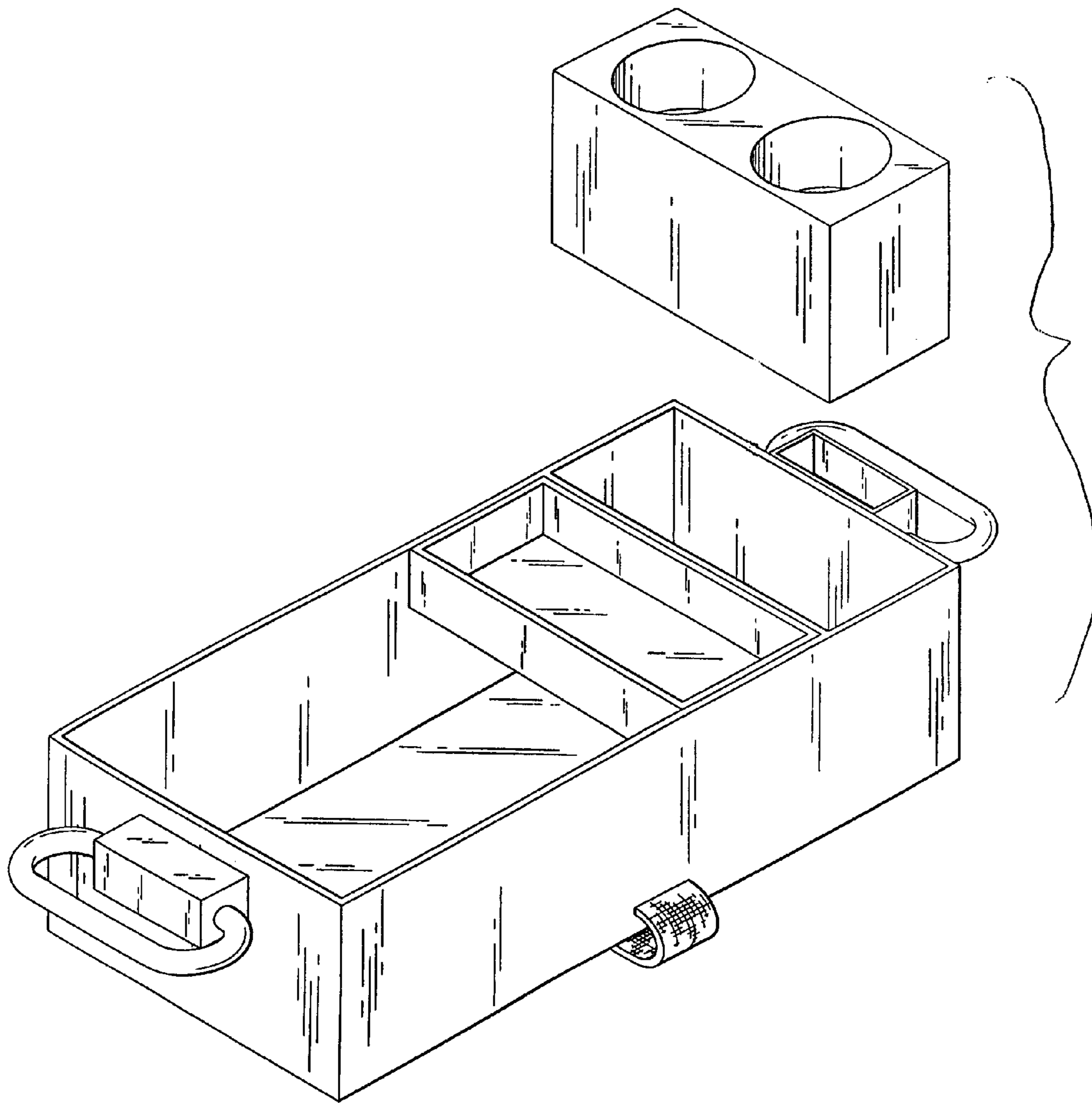


FIG. 4

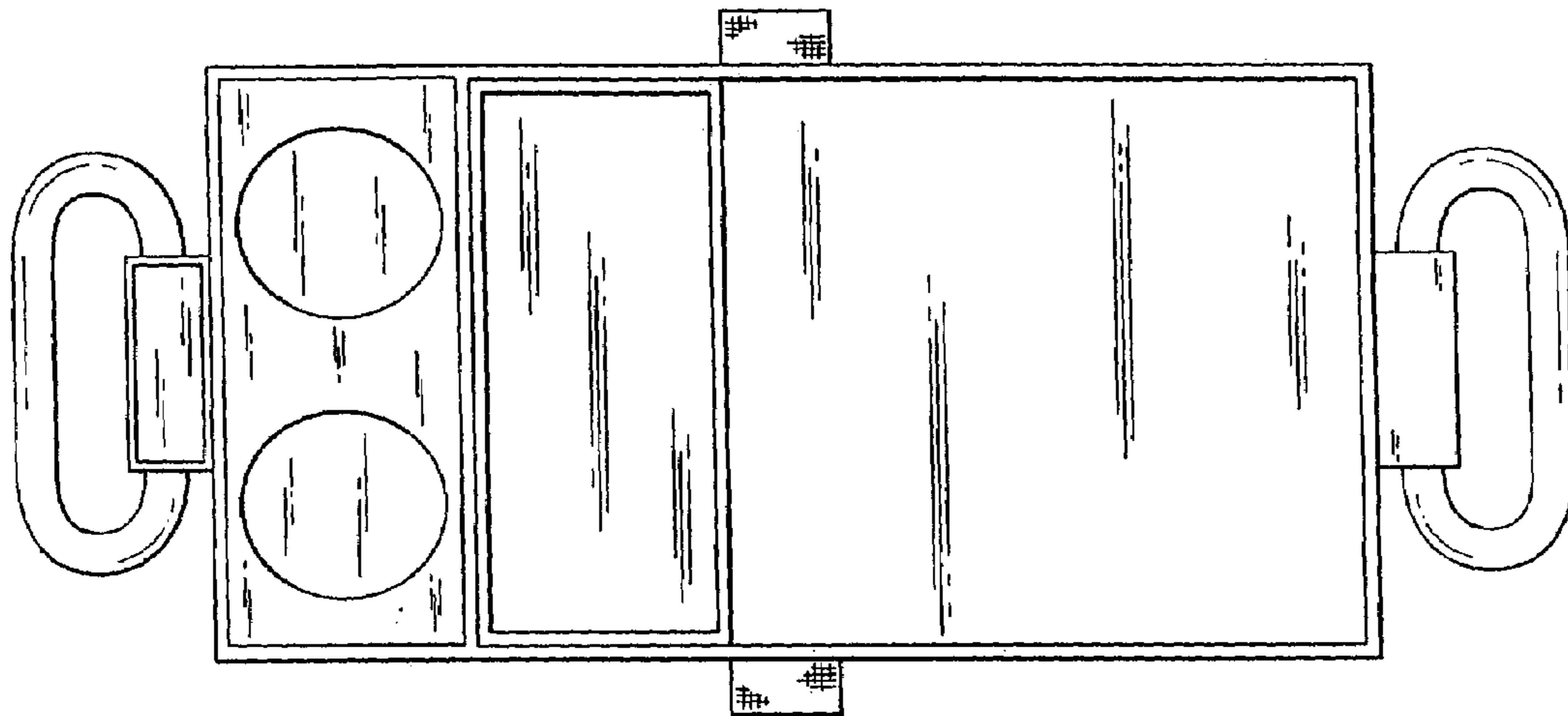


FIG. 5

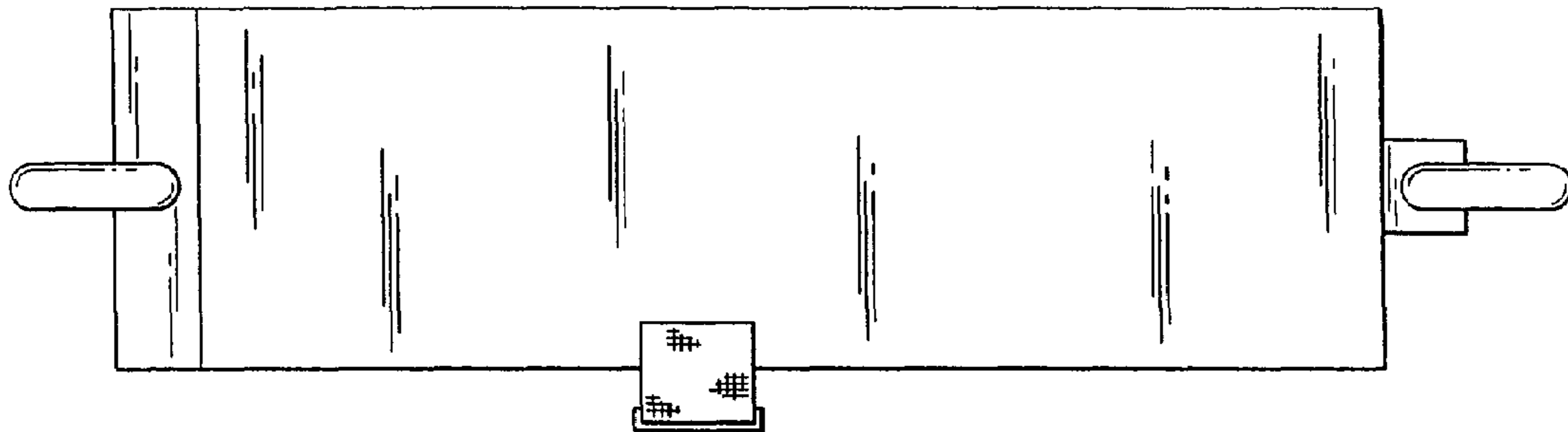


FIG. 6

