

US00D577487S

(12) **United States Design Patent**  
**Huber**

(10) **Patent No.:** **US D577,487 S**

(45) **Date of Patent:** **\*\* Sep. 30, 2008**

(54) **BILFOLD WITH INTEGRATED NOTEPAD  
AND WRITING UTENSIL HOLDER**

D467,420 S \* 12/2002 Bodony et al. .... D3/249  
6,619,349 B2 9/2003 Gribovsky  
D515,625 S 2/2006 Loo  
D517,803 S \* 3/2006 Brown ..... D3/247  
D523,473 S 6/2006 Regala  
D543,359 S \* 5/2007 Suppancig ..... D3/299

(76) Inventor: **Bryan Huber**, 744 G St., Suite 205, San  
Diego, CA (US) 92101

(\*\*) Term: **14 Years**

\* cited by examiner

(21) Appl. No.: **29/321,203**

*Primary Examiner*—Holly H Baynham

(22) Filed: **Jul. 11, 2008**

(74) *Attorney, Agent, or Firm*—G. L. Loomis & Assoc. Inc.;  
Gary L. Loomis

(51) **LOC (8) Cl.** ..... **03-01**

(52) **U.S. Cl.** ..... **D3/249**

(58) **Field of Classification Search** ..... D3/217,  
D3/222, 225, 247, 249–250; 150/113, 132,  
150/137–141, 143, 147–149

See application file for complete search history.

(57) **CLAIM**

The ornamental design for a billfold with integrated notepad  
and writing utensil holder, as shown and described.

(56) **References Cited**

U.S. PATENT DOCUMENTS

D24,138 S	9/1895	Ganier	
2,113,037 A *	4/1938	St Thomas et al. ....	150/139
D136,648 S *	11/1943	Schwalbe .....	D3/249
2,784,757 A *	3/1957	Bosca et al. ....	150/138
3,446,260 A	5/1969	Osher	
3,454,069 A	7/1969	Machler	
4,004,690 A *	1/1977	Giarritta .....	206/425
4,540,034 A	9/1985	Young	
D311,220 S	10/1990	Kam	
D433,565 S *	11/2000	Kojoori .....	D3/249
D436,252 S *	1/2001	Gribovsky .....	D3/249

**DESCRIPTION**

FIG. 1 is a perspective view of the billfold in a partially open  
position;

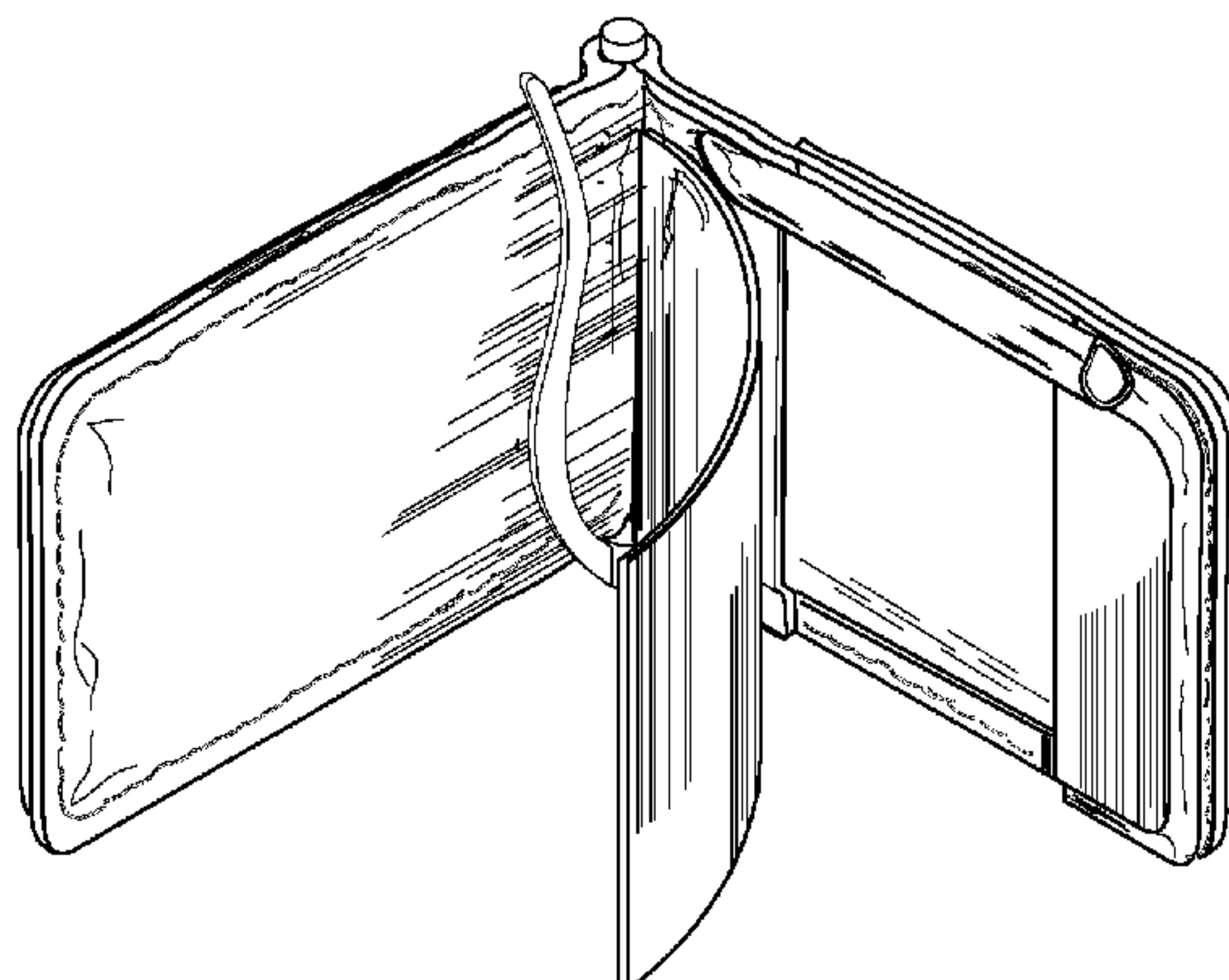
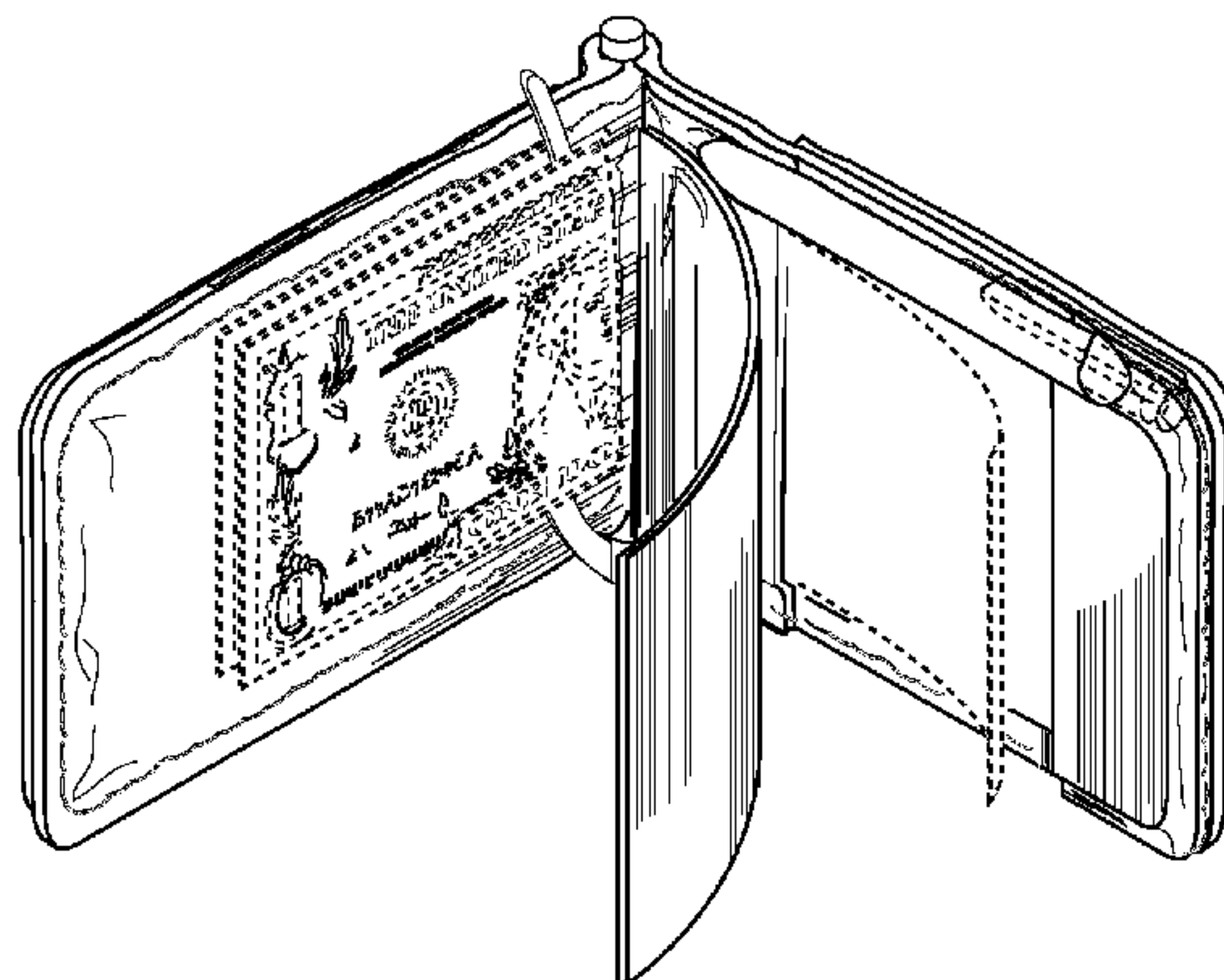
FIG. 2 is a perspective view of the empty billfold in a partially  
open position;

FIG. 3 is a front elevational view of the billfold in a closed  
position;

FIG. 4 is a rear elevational view of the billfold in a closed  
position; and,

FIG. 5 is an enlarged sectional view taken along line 5—5 of  
FIG. 3.

**1 Claim, 2 Drawing Sheets**



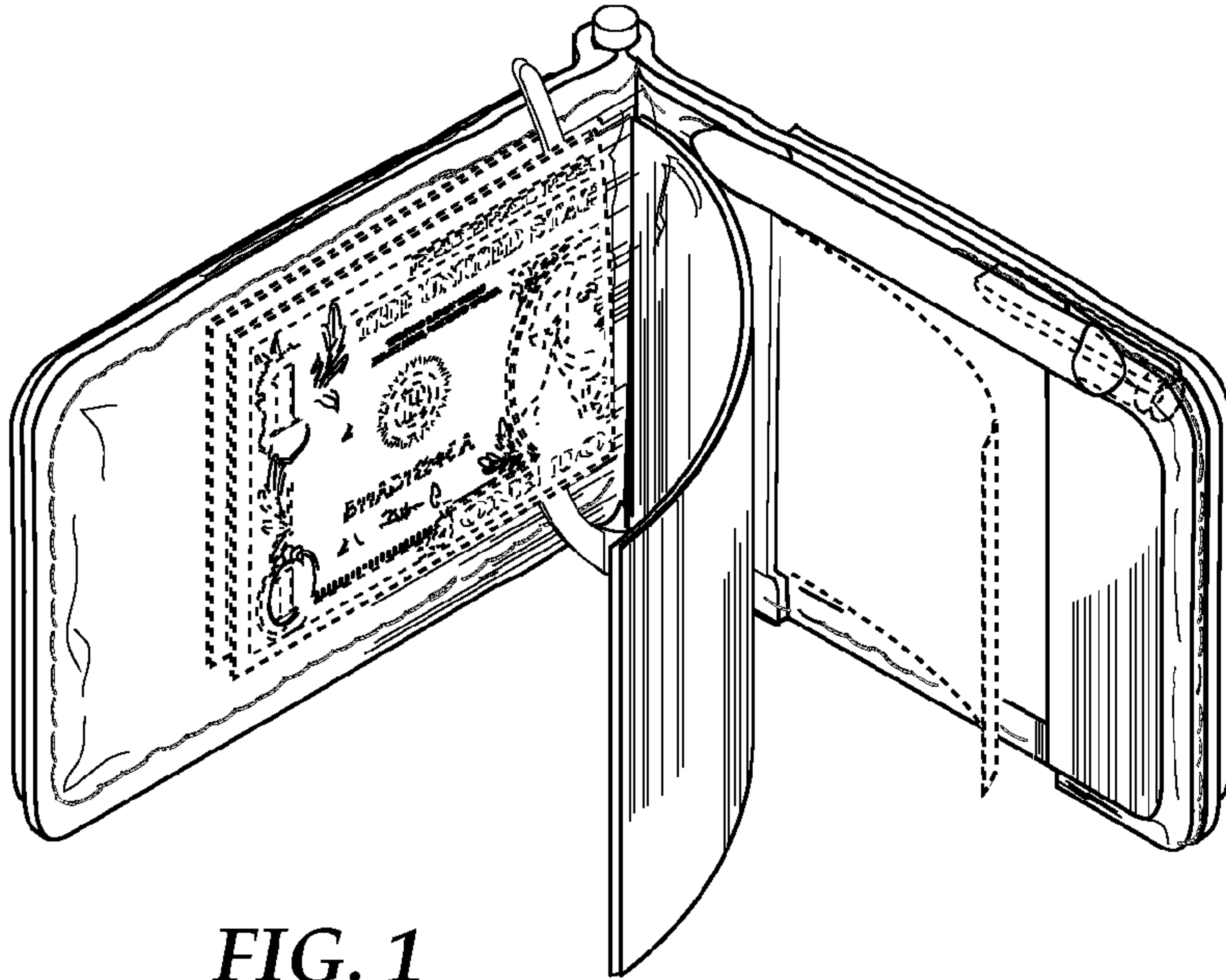


FIG. 1

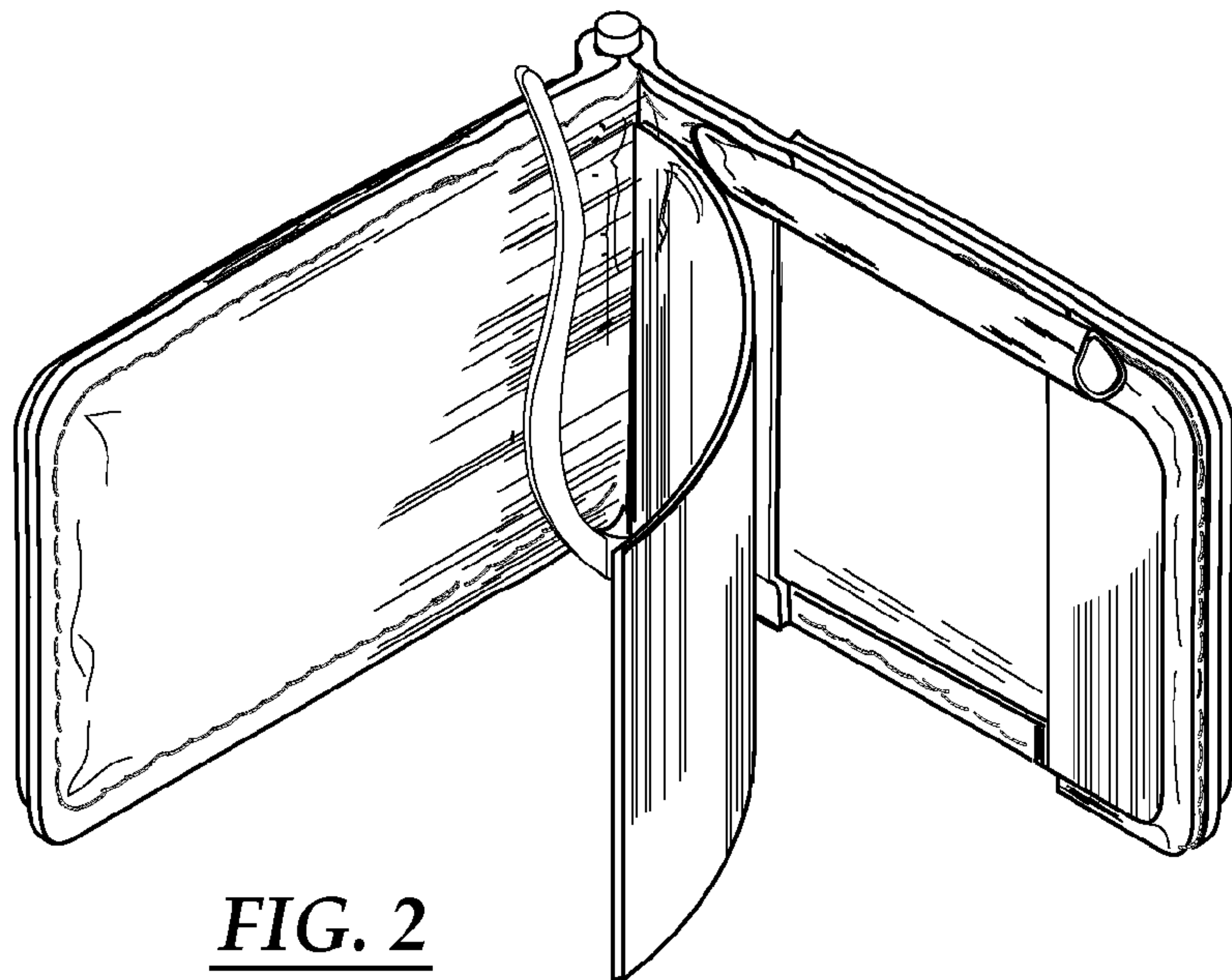


FIG. 2

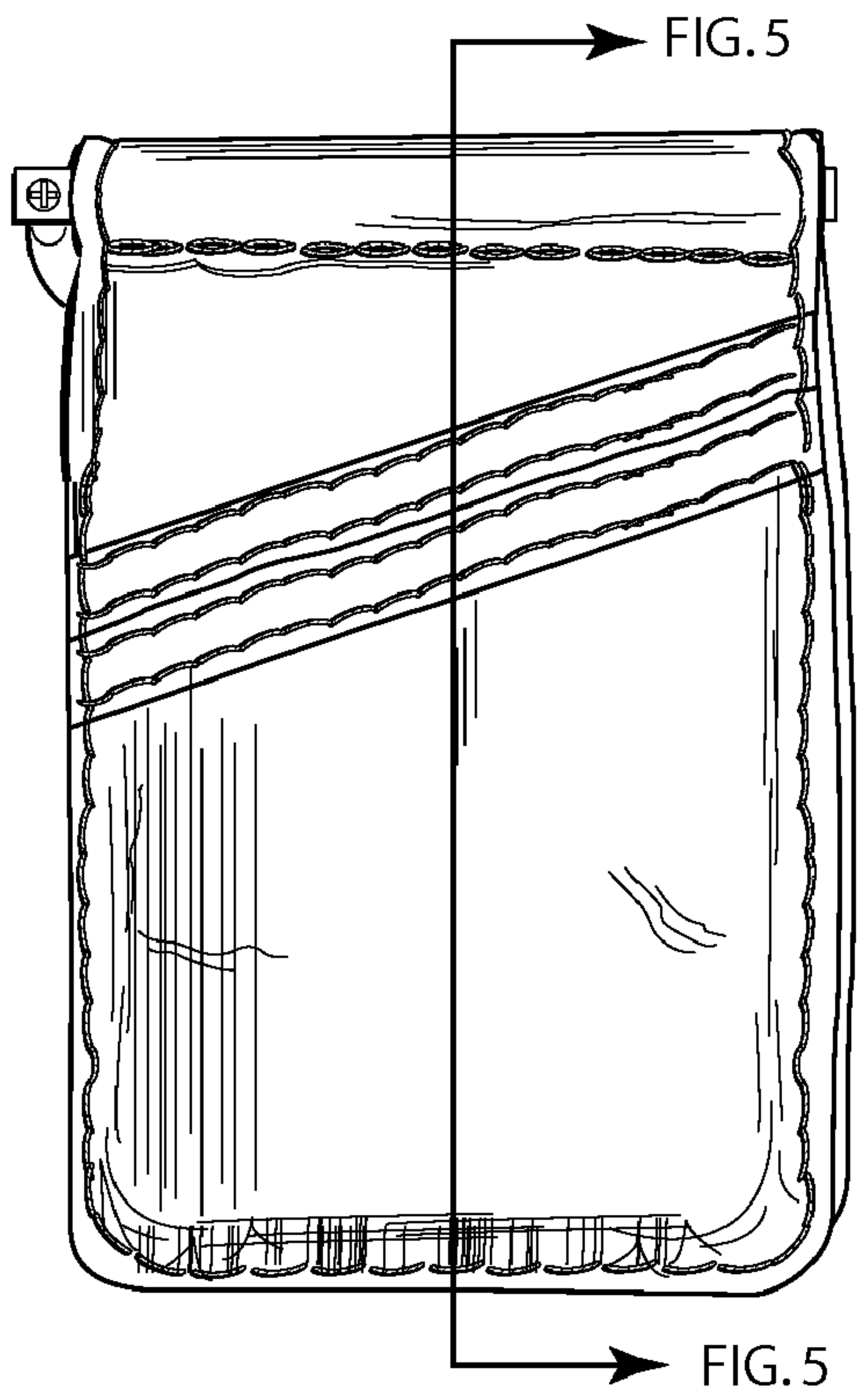


FIG. 3

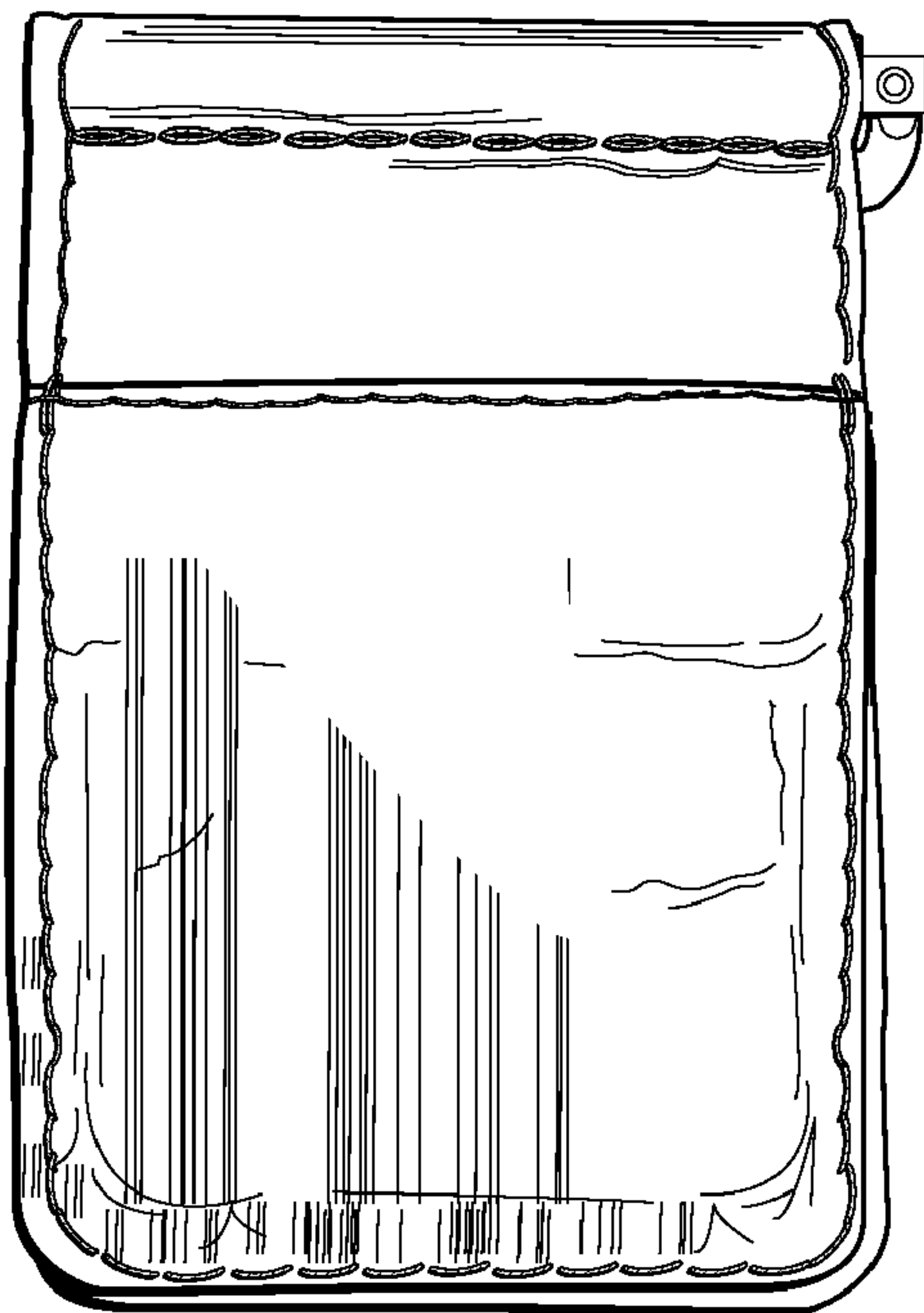


FIG. 4

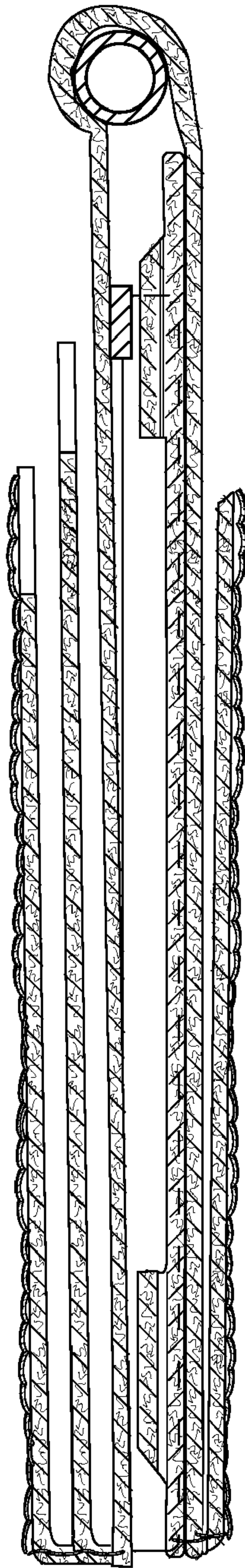


FIG. 5