



US00D577480S

(12) **United States Design Patent**
Ortley et al.

(10) **Patent No.:** **US D577,480 S**

(45) **Date of Patent:** **** *Sep. 30, 2008**

(54) **GOLF SHOE SPIKE**

D509,050 S * 9/2005 Savoie D2/962
2003/0131502 A1 * 7/2003 Terashima 36/127

(75) Inventors: **David Ortley**, Encinitas, CA (US);
Gerald Kultz, Encinitas, CA (US);
Marco A. Grott, San Marcos, CA (US)

OTHER PUBLICATIONS

Gyretac spike (2005) 3 pages.
Silver Tornado spike (2005) 4 pages.
0600-904 spike (2005) 3 pages.

(73) Assignee: **Taylor Made Golf Company**, Carlsbad,
CA (US)

* cited by examiner

(*) Notice: This patent is subject to a terminal dis-
claimer.

Primary Examiner—Stella M. Reid
Assistant Examiner—Rashida C. McCoy
(74) *Attorney, Agent, or Firm*—Sheppard, Mullin, Richter &
Hampton LLP

(**) Term: **14 Years**

(21) Appl. No.: **29/282,008**

(57) **CLAIM**

(22) Filed: **Jul. 9, 2007**

The ornamental design for a golf shoe spike, as shown and
described.

Related U.S. Application Data

DESCRIPTION

(63) Continuation of application No. 29/249,236, filed on
Sep. 27, 2006, now abandoned.

FIG. 1 is a perspective view of a golf shoe spike embodying
our new design.

(51) **LOC (8) Cl.** **02-99**

(52) **U.S. Cl.** **D2/962**

FIG. 2 is a front elevational view thereof.

(58) **Field of Classification Search** D2/962,

D2/906, 914, 915, 946, 969; D6/533; 36/7.7,

36/7.6, 65, 67 A, 126–129, 134

FIG. 3 is a rear elevational view thereof.

See application file for complete search history.

FIG. 4 is a left side elevational view thereof.

FIG. 5 is a right side elevational view thereof.

FIG. 6 is a top plan view thereof; and,

FIG. 7 is a bottom plan view thereof.

(56) **References Cited**

U.S. PATENT DOCUMENTS

The broken lines in the accompanying drawings are included
for illustrative purposes only and form no part of the claimed
design.

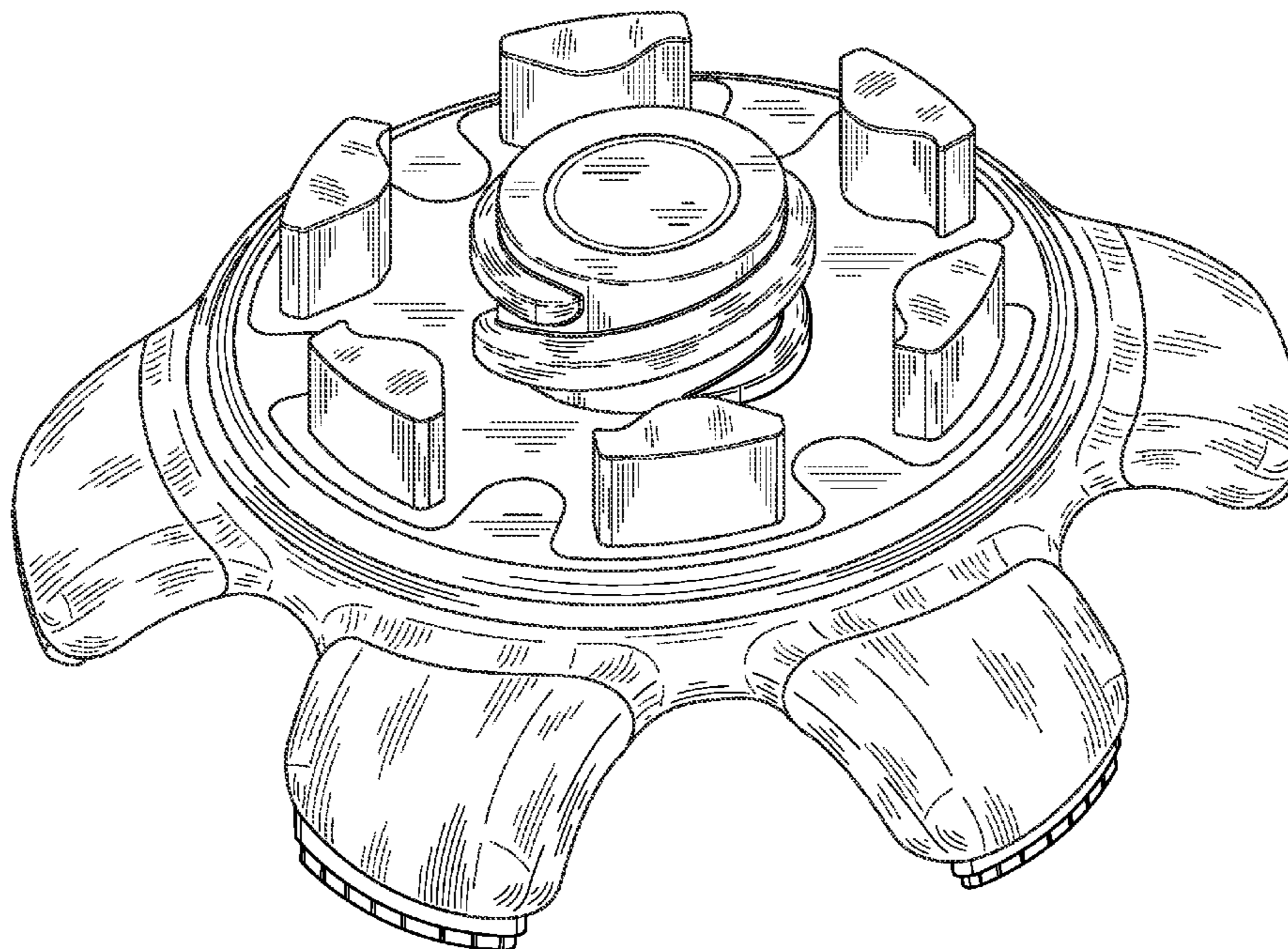
D408,122 S * 4/1999 McMullin D2/962

D432,770 S * 10/2000 Breault et al. D2/962

D452,947 S * 1/2002 Terashima D2/962

D473,699 S * 4/2003 Savoie D2/962

1 Claim, 5 Drawing Sheets



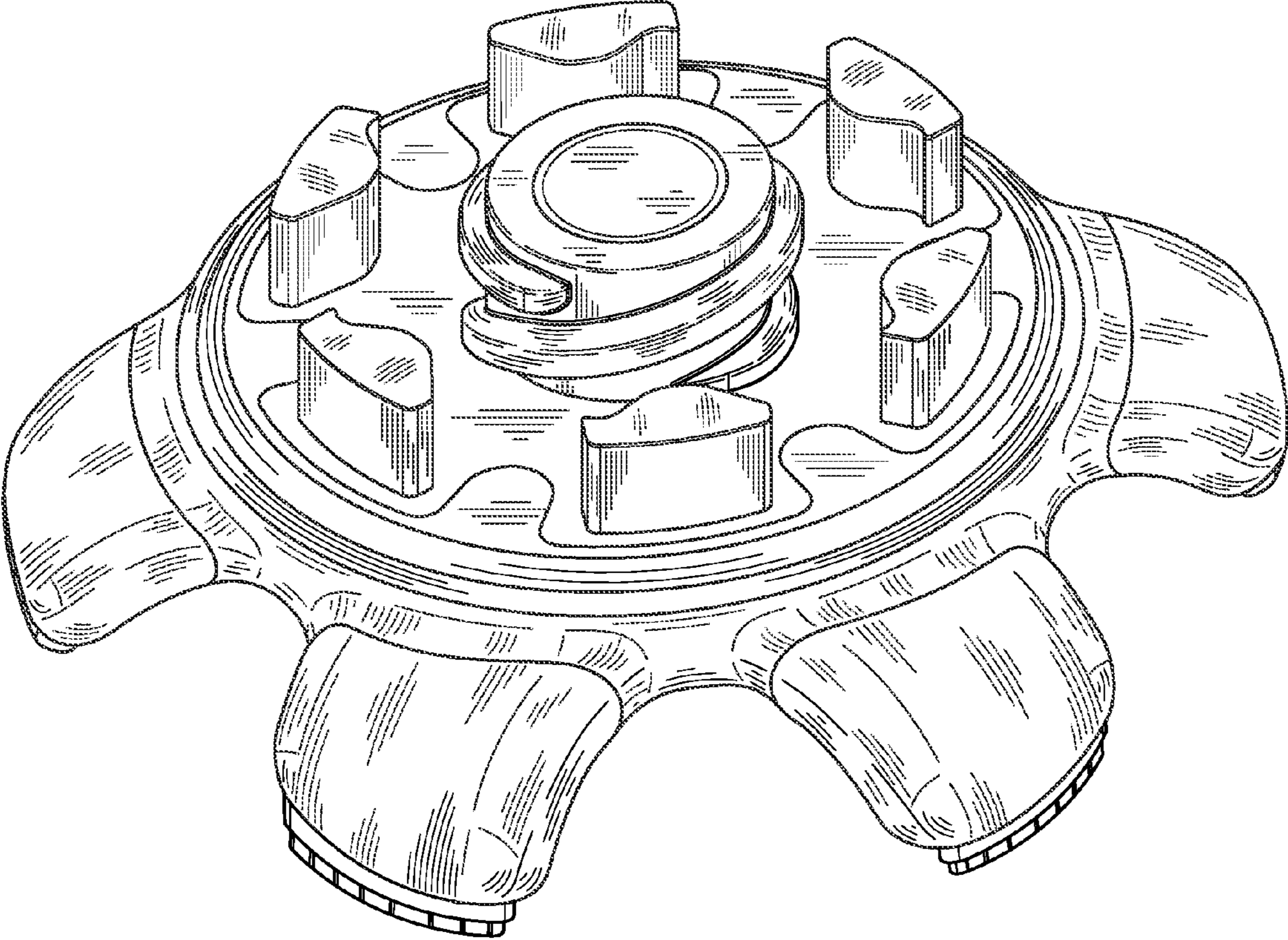


FIG. 1

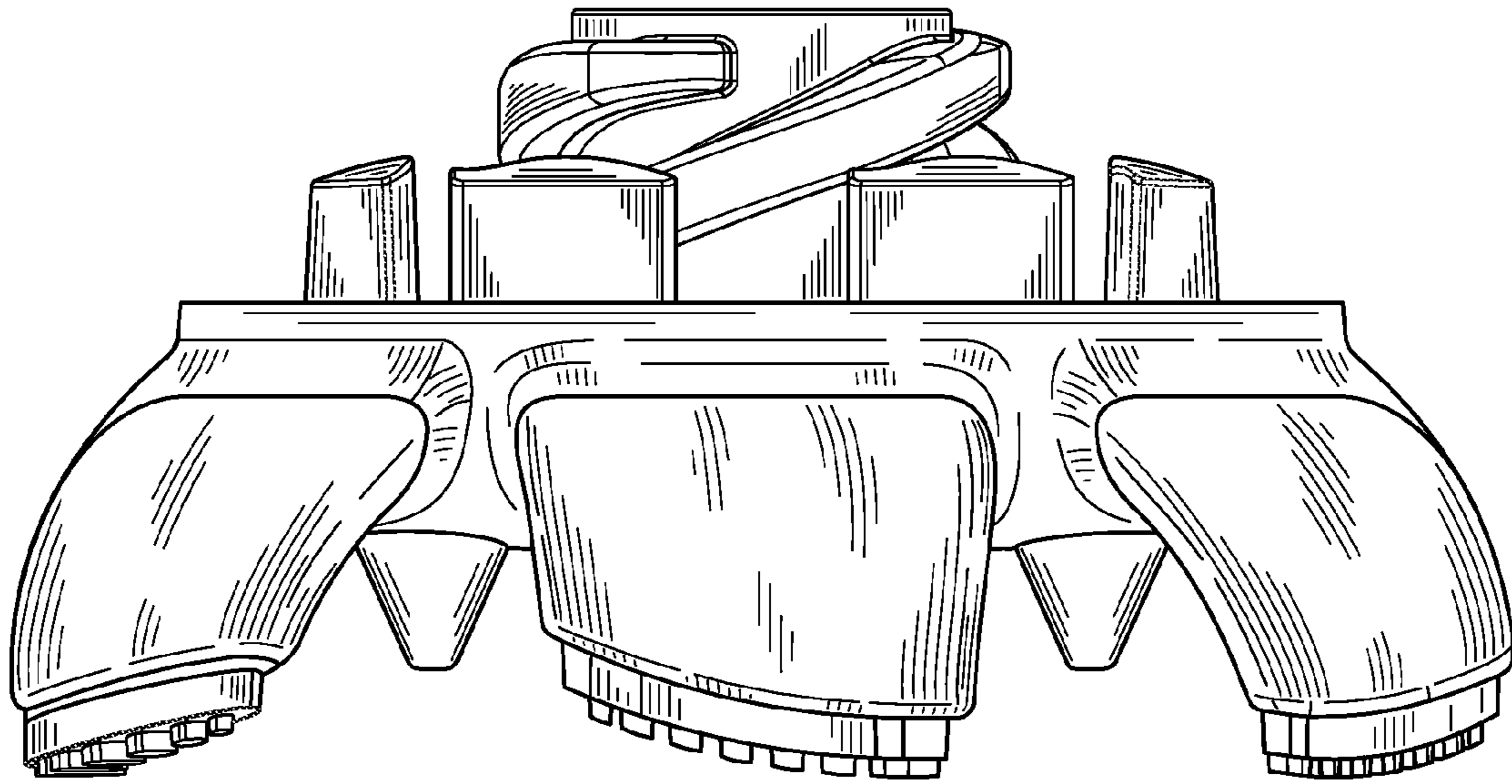


FIG. 2

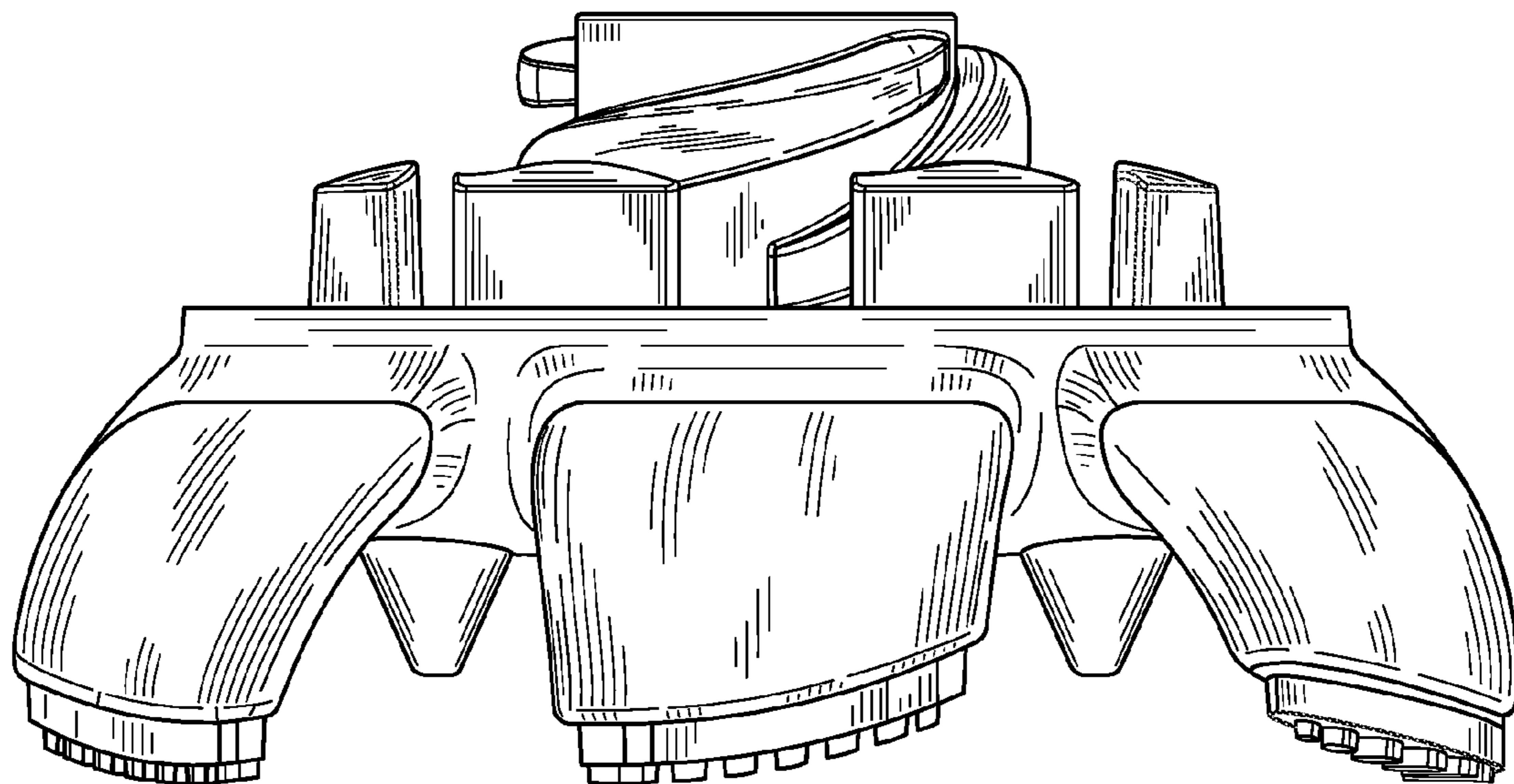


FIG. 3

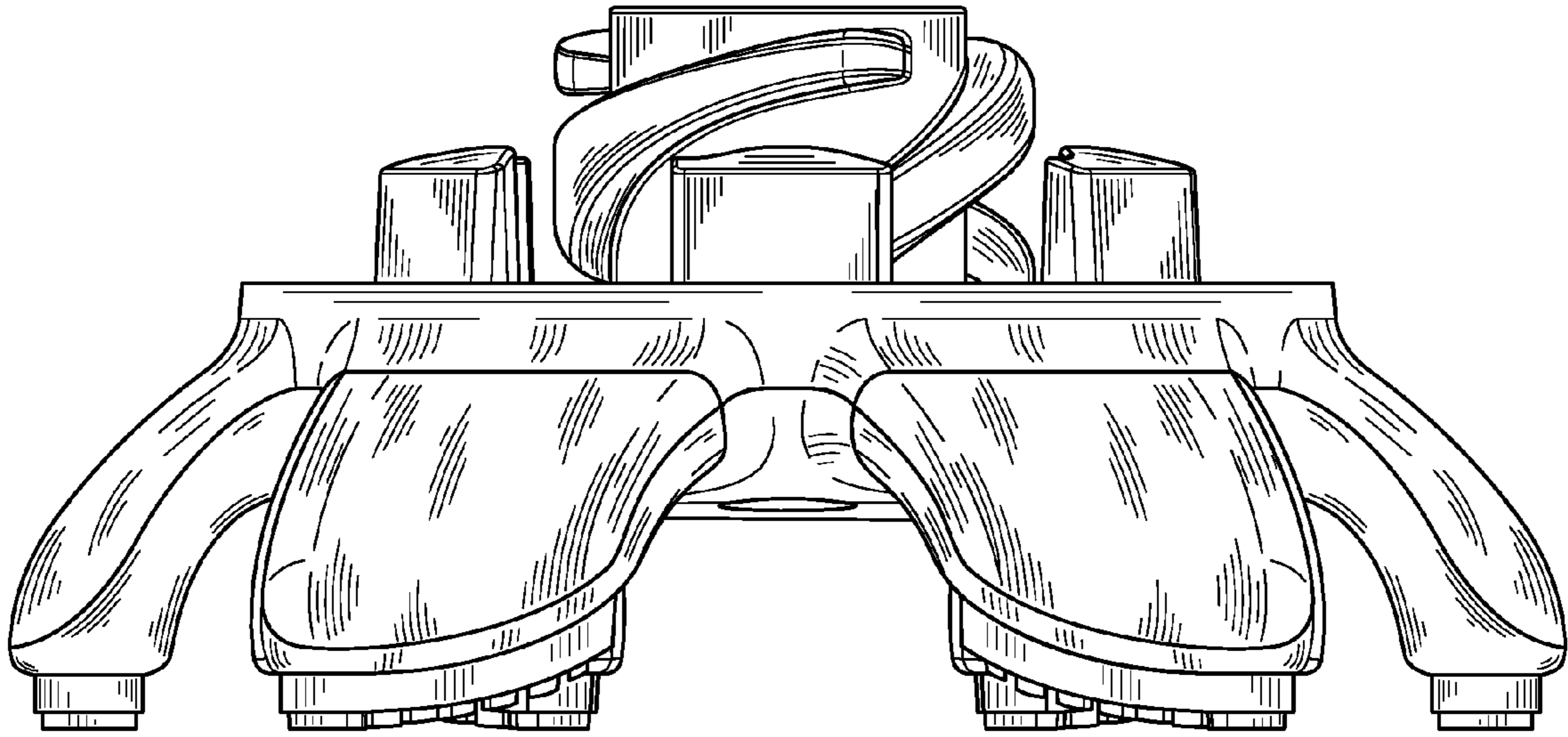


FIG. 4

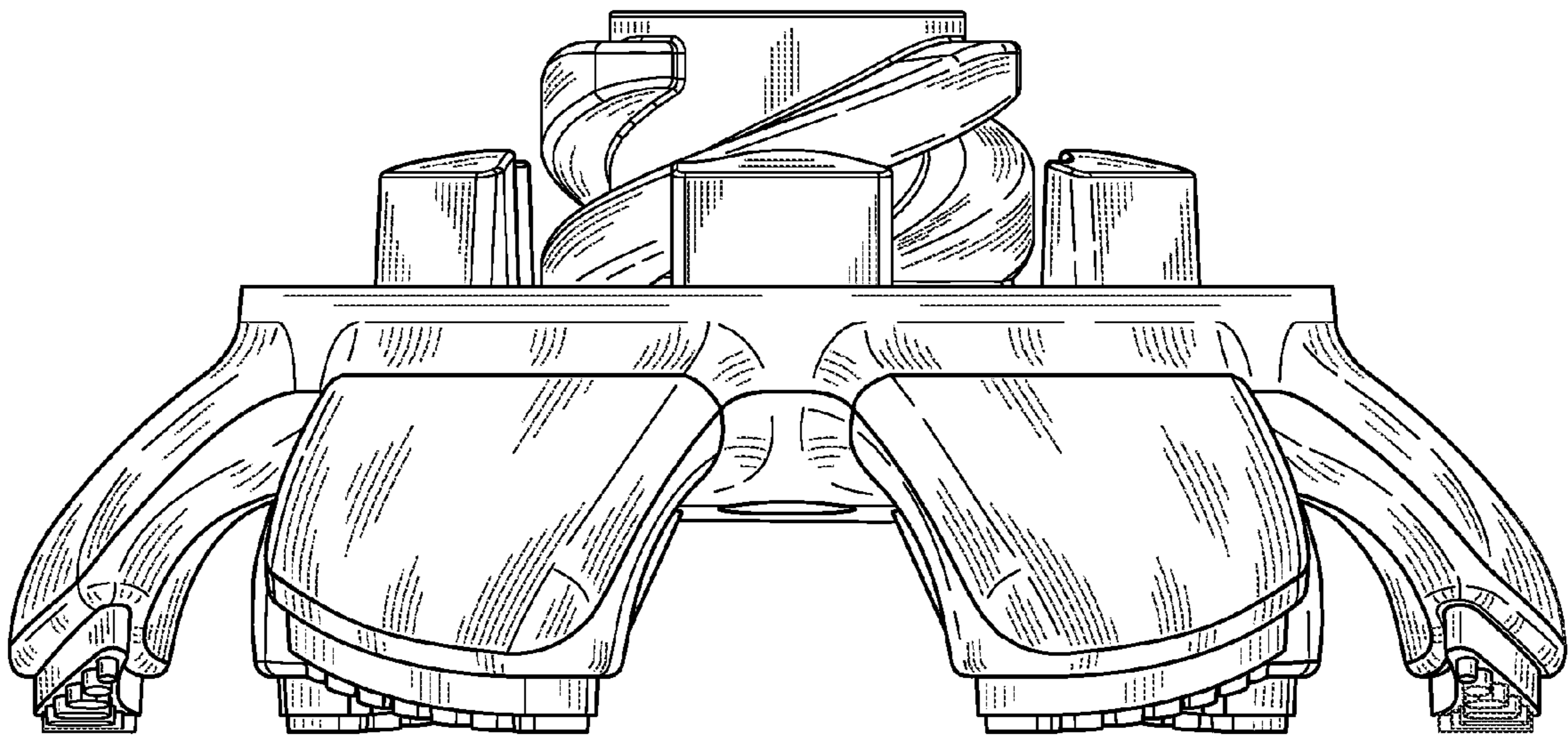


FIG. 5

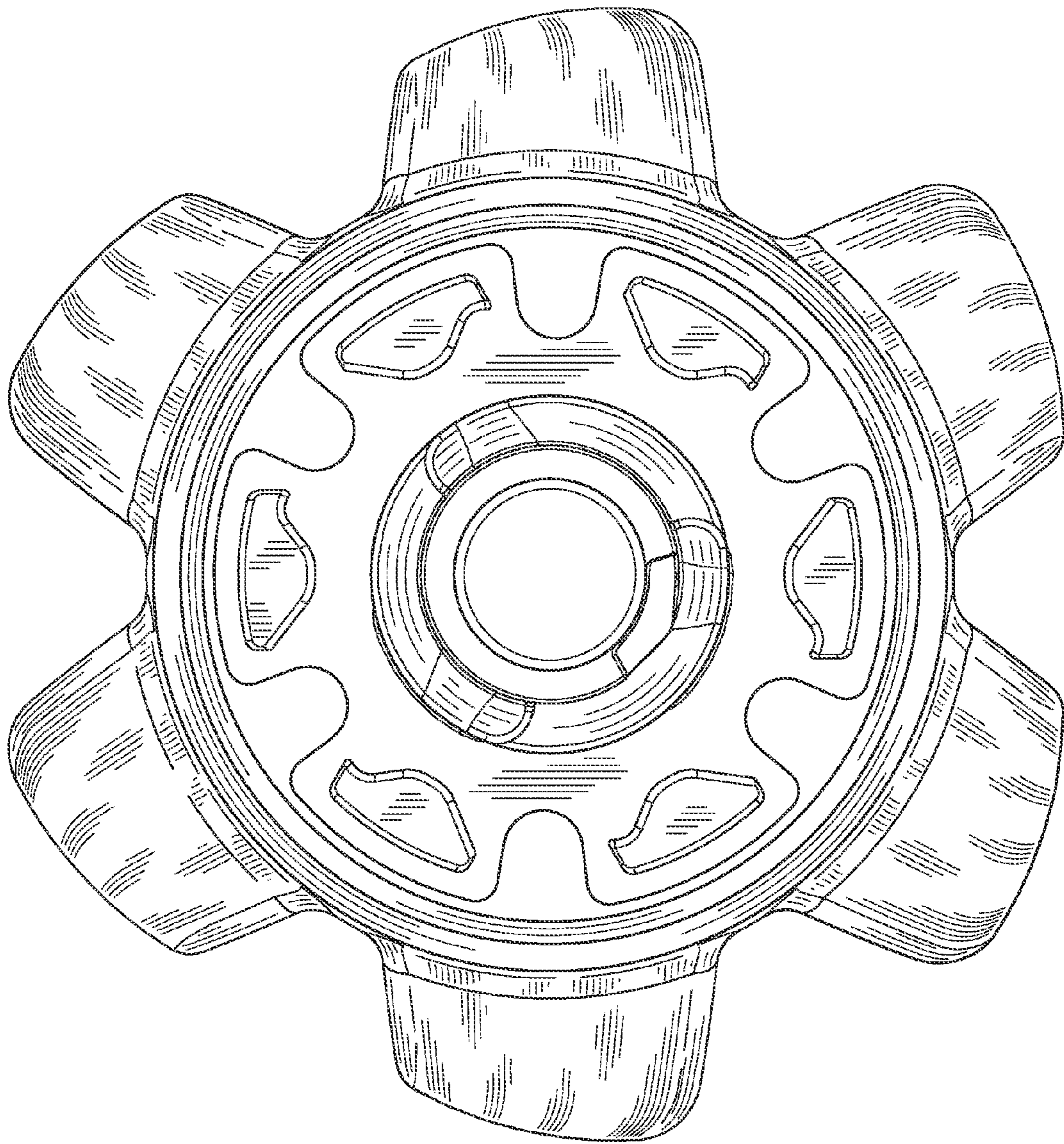


FIG. 6

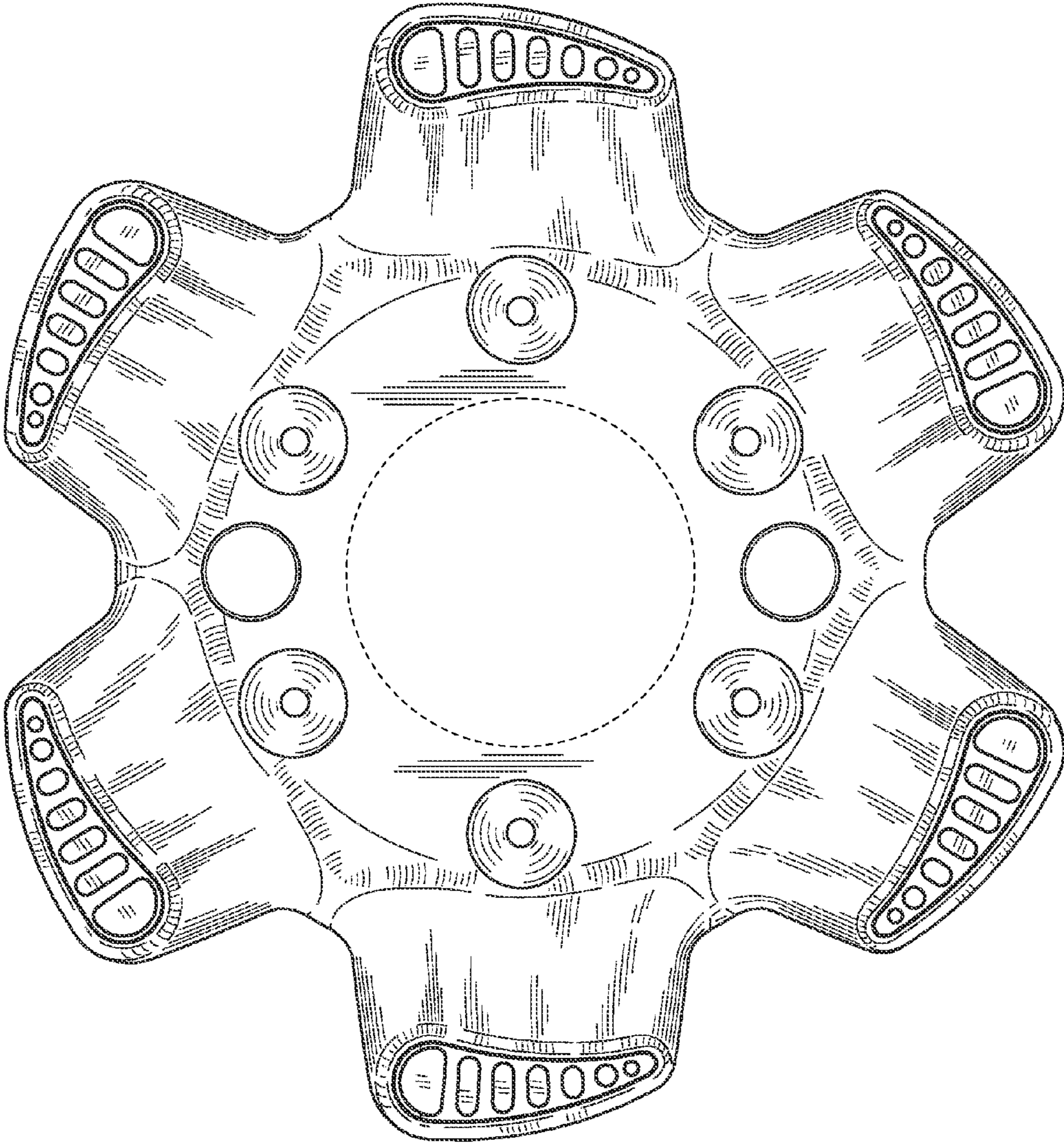


FIG. 7