



US00D577472S

(12) **United States Design Patent**
Crookshanks

(10) **Patent No.:** **US D577,472 S**

(45) **Date of Patent:** **** Sep. 23, 2008**

(54) **PORTION OF AN APPLIANCE**

(75) **Inventor:** **Kent Allen Stephen Crookshanks,**
Anderson, SC (US)

(73) **Assignee:** **Electrolux Home Products, Inc.,**
Cleveland, OH (US)

(**) **Term:** **14 Years**

(21) **Appl. No.:** **29/297,514**

(22) **Filed:** **Nov. 13, 2007**

(51) **LOC (8) Cl.** **15-05**

(52) **U.S. Cl.** **D32/28**

(58) **Field of Classification Search** D32/1,
D32/5, 6, 8, 10, 25, 28; 68/3 R, 4, 5 R, 12.01,
68/12.08, 212; 38/1 A; 312/31; 34/58, 108,
34/130, 131, 132, 523, 525, 526, 597, 600,
34/417, 499, 534, 603, 524

See application file for complete search history.

(56) **References Cited**

U.S. PATENT DOCUMENTS

D517,258 S *	3/2006	Ha et al.	D32/6
D517,259 S *	3/2006	Ha et al.	D32/6
D520,686 S *	5/2006	Jeo et al.	D32/6
D536,144 S *	1/2007	Seo et al.	D32/6
D549,897 S *	8/2007	Suh	D32/6

D549,899 S *	8/2007	Suh	D32/6
D553,309 S *	10/2007	Revoldini et al.	D32/6
D563,062 S *	2/2008	Eicher et al.	D32/6
2005/0145468 A1 *	7/2005	Kim	200/296

OTHER PUBLICATIONS

http://us.stll.yimg.com/us.st.yimg.com/I/usappliance_1990_23380303 Feb. 29, 2008.*

* cited by examiner

Primary Examiner—Louis S Zarfaz

Assistant Examiner—Kathleen M Sims

(74) *Attorney, Agent, or Firm*—Banner & Witcoff, Ltd.

(57) **CLAIM**

The ornamental design for a portion of an appliance, as shown and described.

DESCRIPTION

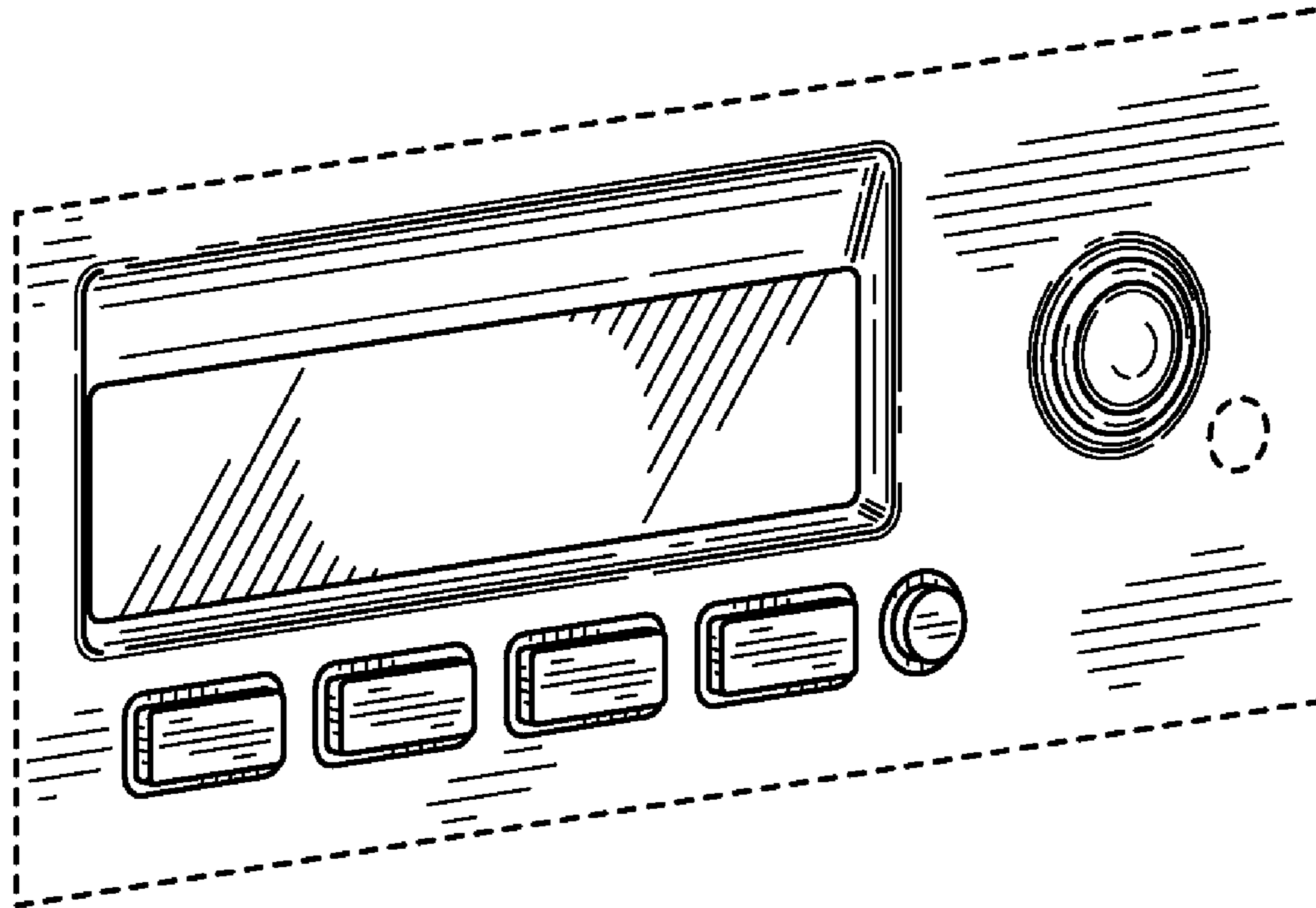
FIG. 1 is a front perspective view of a portion of an appliance showing my new design;

FIG. 2 is a front view thereof; and,

FIG. 3 is a perspective view thereof.

The broken line showing of an appliance in FIG. 3 is included for the purpose of illustrating the environment and forms no part of the claimed design.

1 Claim, 2 Drawing Sheets



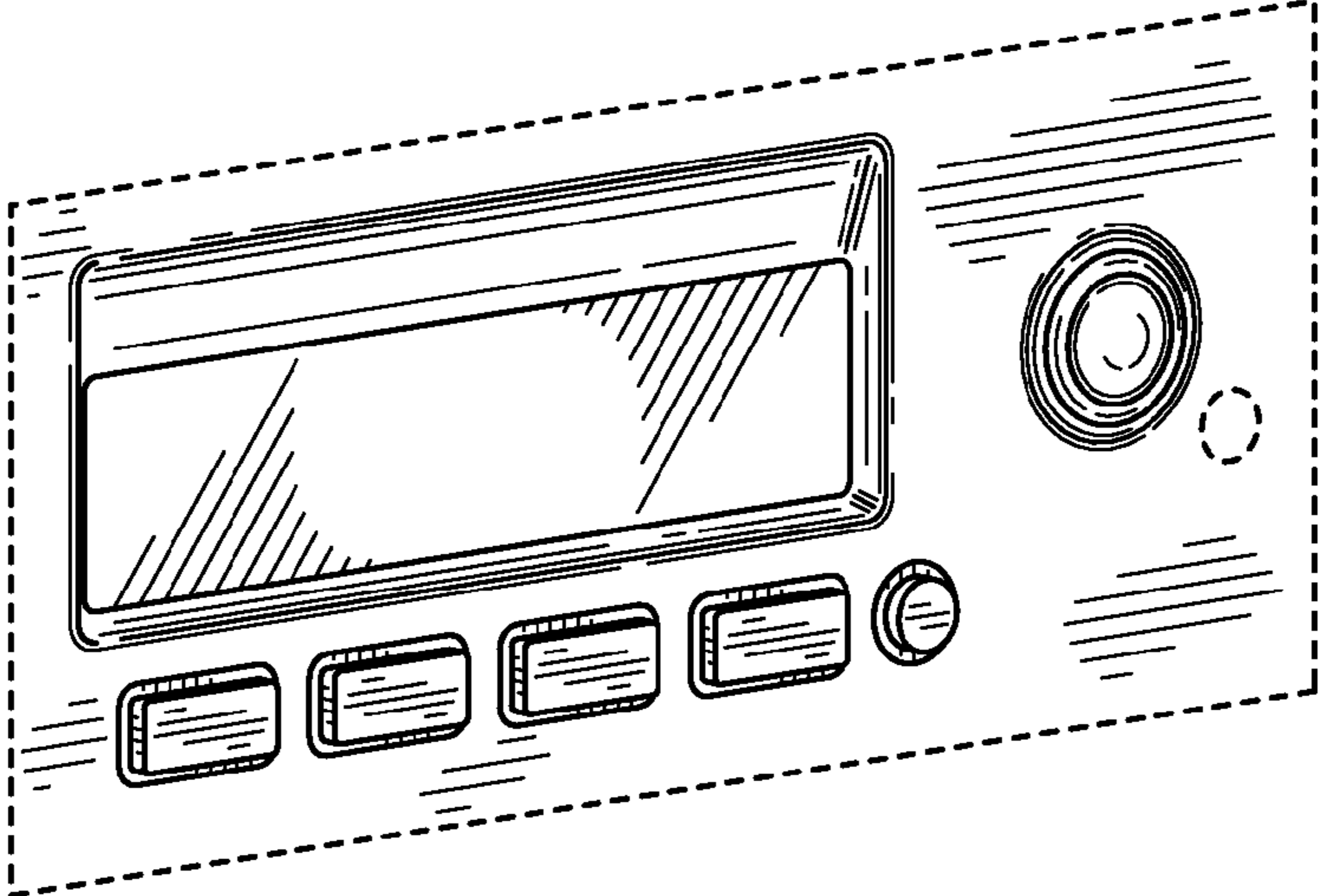


FIG. 1

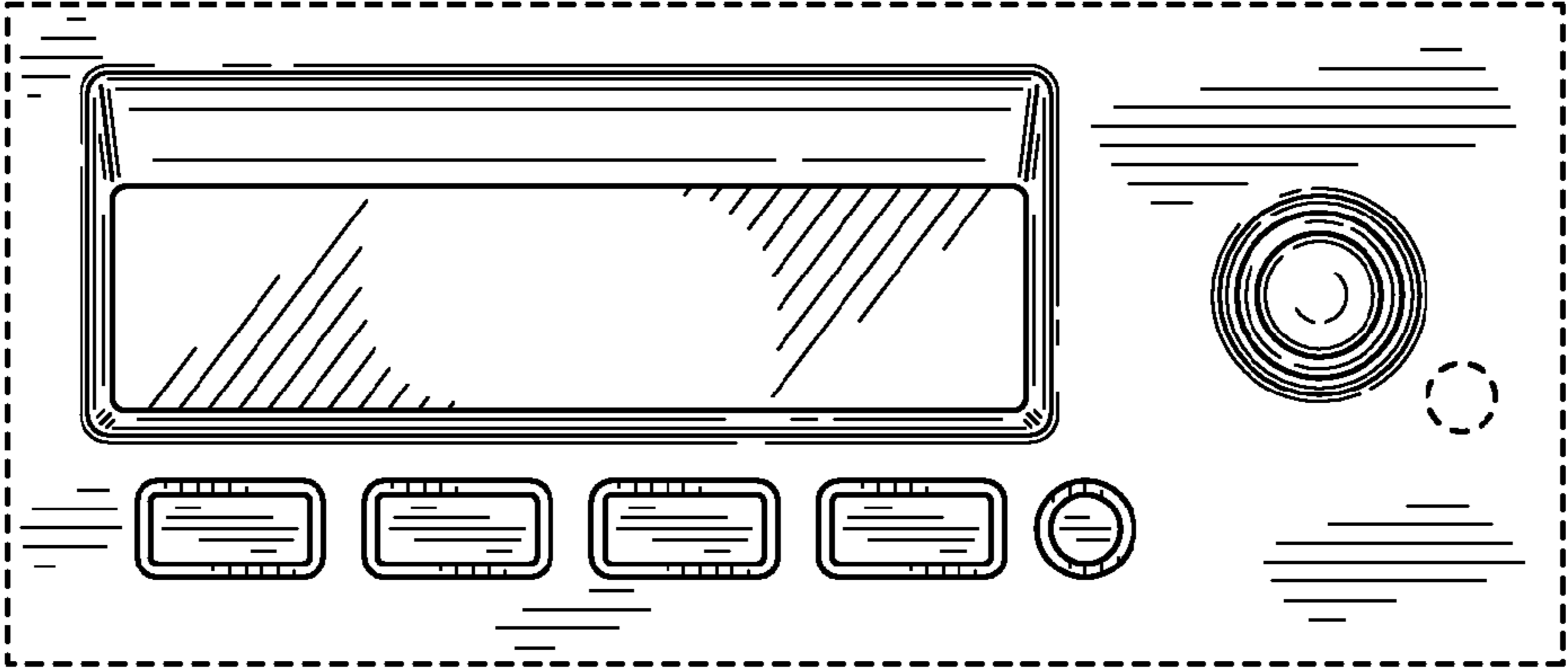


FIG. 2

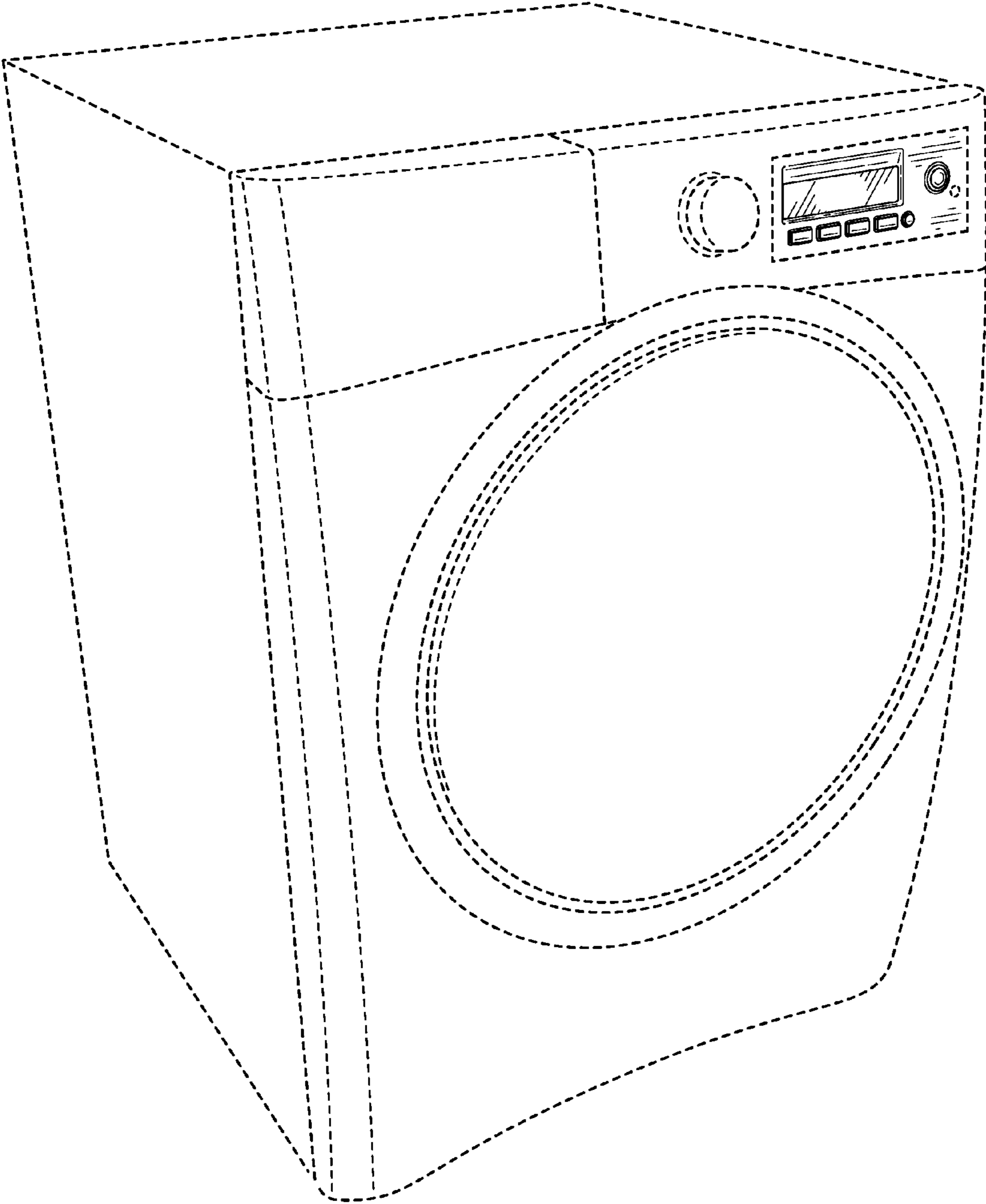


FIG. 3