



US00D577464S

(12) **United States Design Patent**  
**Ragonetti et al.**

(10) **Patent No.:** **US D577,464 S**

(45) **Date of Patent:** **\*\* Sep. 23, 2008**

(54) **AQUARIUM ORNAMENT**

D467,731 S \* 12/2002 Pratt ..... D3/294  
D473,607 S \* 4/2003 Owens ..... D21/801

(75) Inventors: **Peter Ragonetti**, Brooklyn, NY (US);  
**Ryan Rutherford**, Rutherford, NJ (US);  
**Jonathan Willinger**, Tenafly, NJ (US)

\* cited by examiner

(73) Assignee: **JW Pet Company, Inc.**, Teterboro, NJ (US)

*Primary Examiner*—Robert M. Spear  
*Assistant Examiner*—Ania K Dworzecka  
(74) *Attorney, Agent, or Firm*—Katten Muchin Rosenman LLP

(\*\*) Term: **14 Years**

(21) Appl. No.: **29/303,510**

(57) **CLAIM**

(22) Filed: **Feb. 11, 2008**

The ornamental design for an aquarium ornament, as shown and described.

**Related U.S. Application Data**

**DESCRIPTION**

(62) Division of application No. 29/291,490, filed on Aug. 31, 2007, now Pat. No. Des. 566,905, and a division of application No. 29/262,828, filed on Jul. 12, 2006, now Pat. No. Des. 554,809.

FIG. 1 is a perspective view of the an aquarium ornament, the inventive ornament being in a closed position,

(51) **LOC (8) Cl.** ..... **30-02**

(52) **U.S. Cl.** ..... **D30/106**

(58) **Field of Classification Search** ..... D30/101,  
D30/102, 103, 104, 105, 106, 160, 199; D99/28,  
D99/30, 43, 99, 37; D3/272; 119/256, 262  
See application file for complete search history.

FIG. 2 is a front view of the aquarium ornament of FIG. 1,

FIG. 3 is a rear view of the aquarium ornament of FIG. 1,

FIG. 4 is a left-side view of the aquarium ornament of FIG. 1,

FIG. 5 is a right-side view of the aquarium ornament of FIG. 1,

FIG. 6 is a top view of the aquarium ornament of FIG. 1,

FIG. 7 is a bottom view of the aquarium ornament of FIG. 1; and,

FIG. 8 is a perspective view of the present invention in an open position.

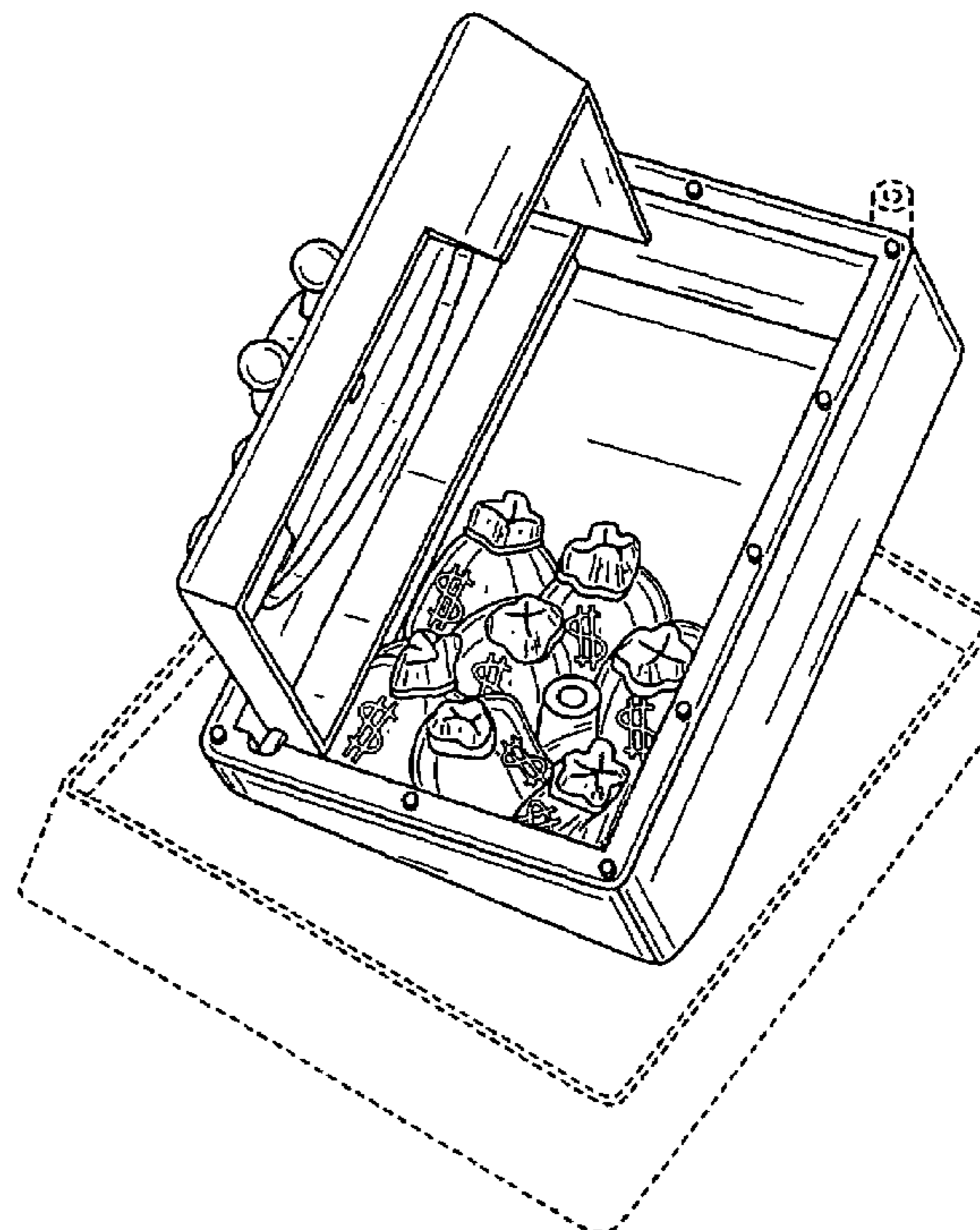
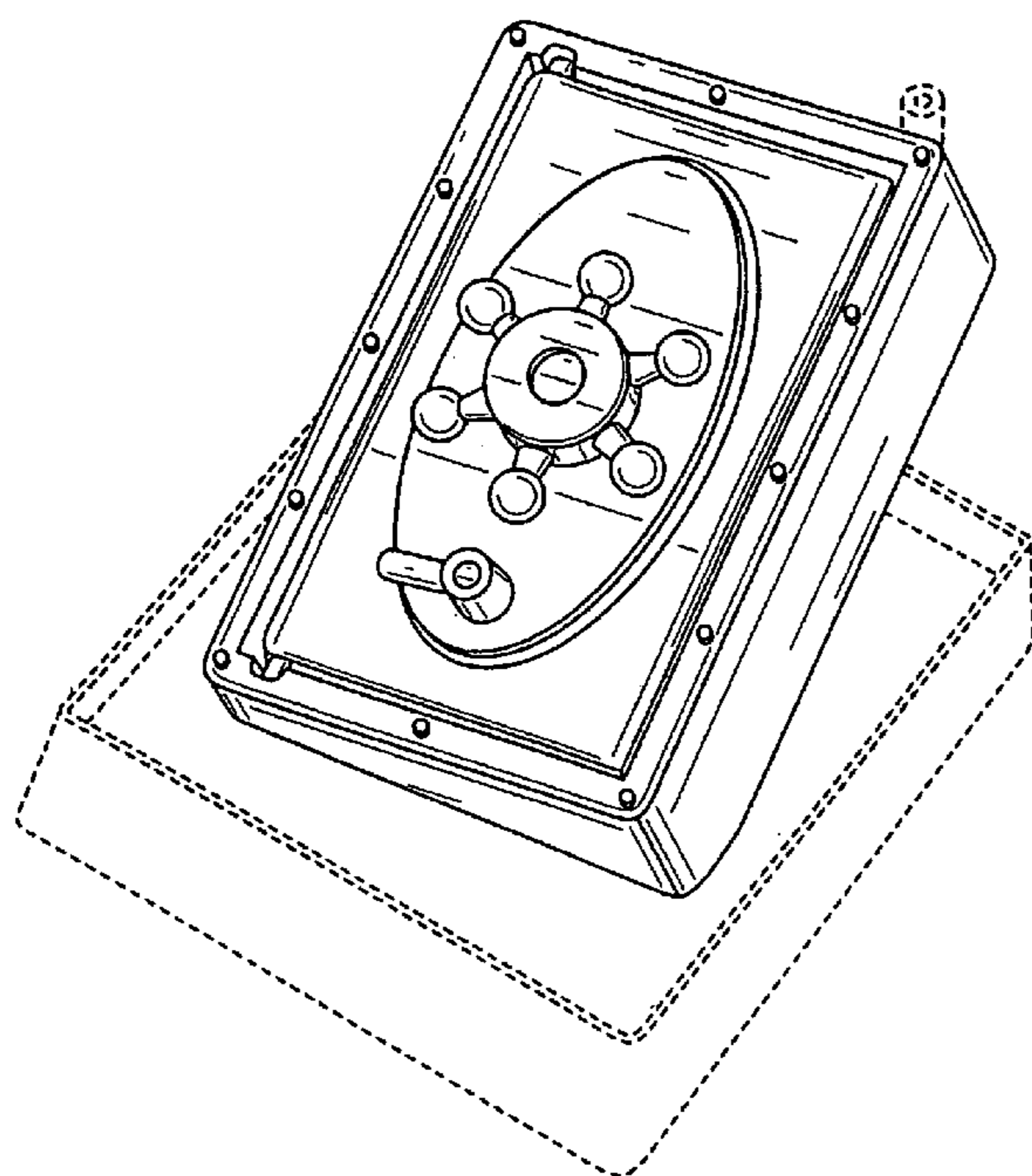
The part of each figure in broken lines forms no part of the claimed design.

(56) **References Cited**

**U.S. PATENT DOCUMENTS**

D173,200 S \* 10/1954 Goodhue ..... D3/270  
D178,651 S \* 9/1956 Dreyfus ..... D99/43  
D334,662 S \* 4/1993 van Berne ..... D3/272  
5,810,364 A \* 9/1998 Canion ..... 273/459

**1 Claim, 8 Drawing Sheets**



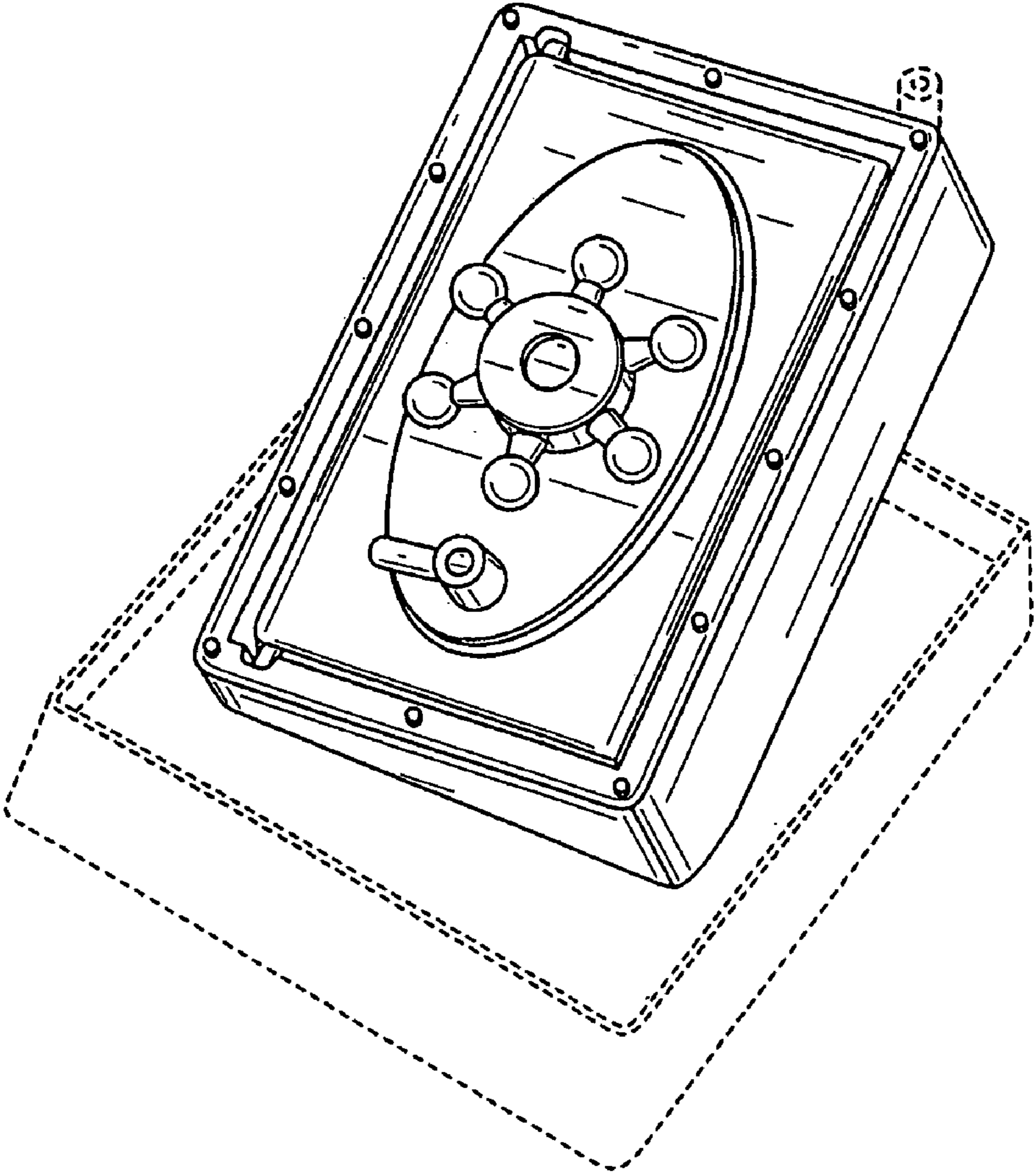


FIG. 1

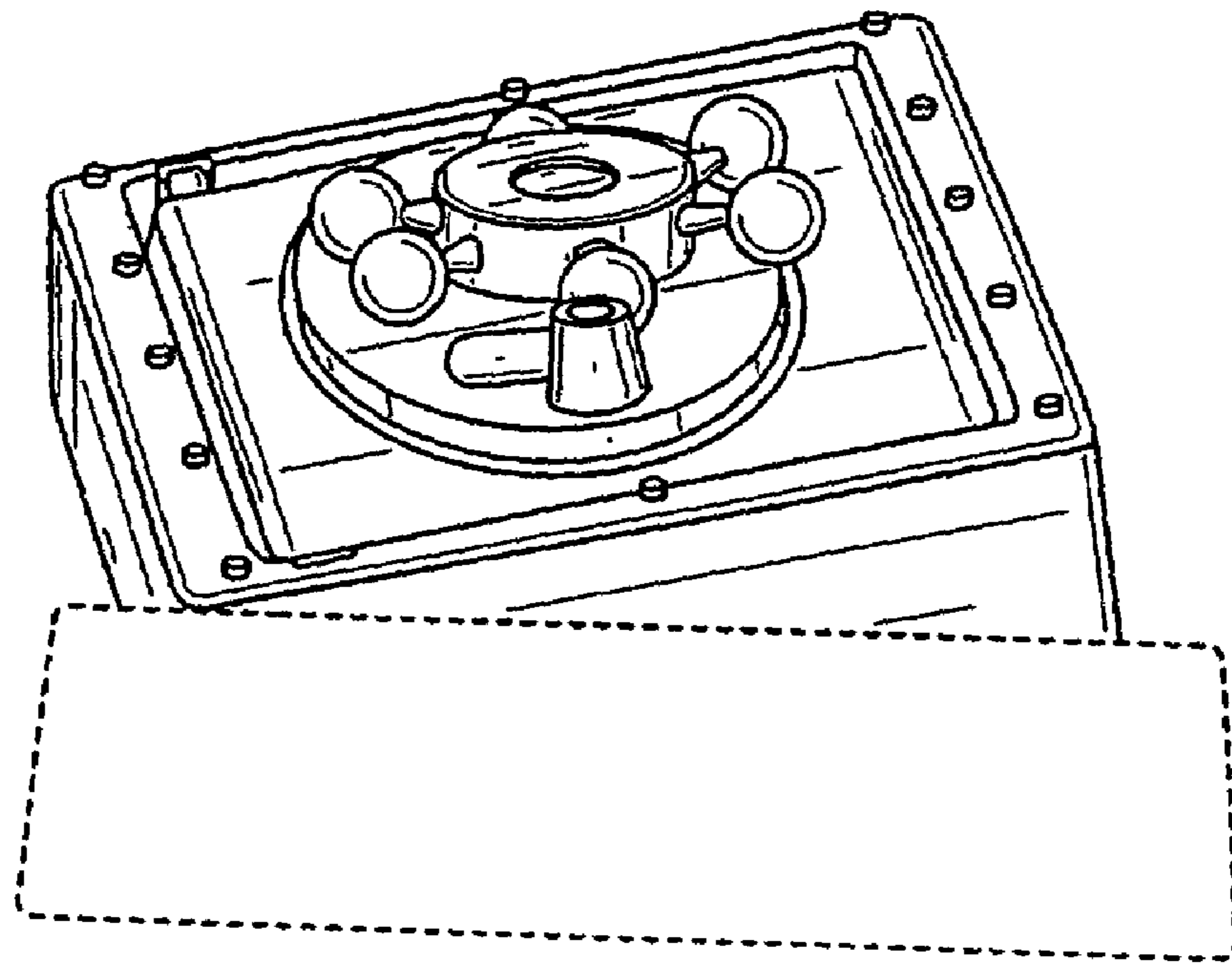
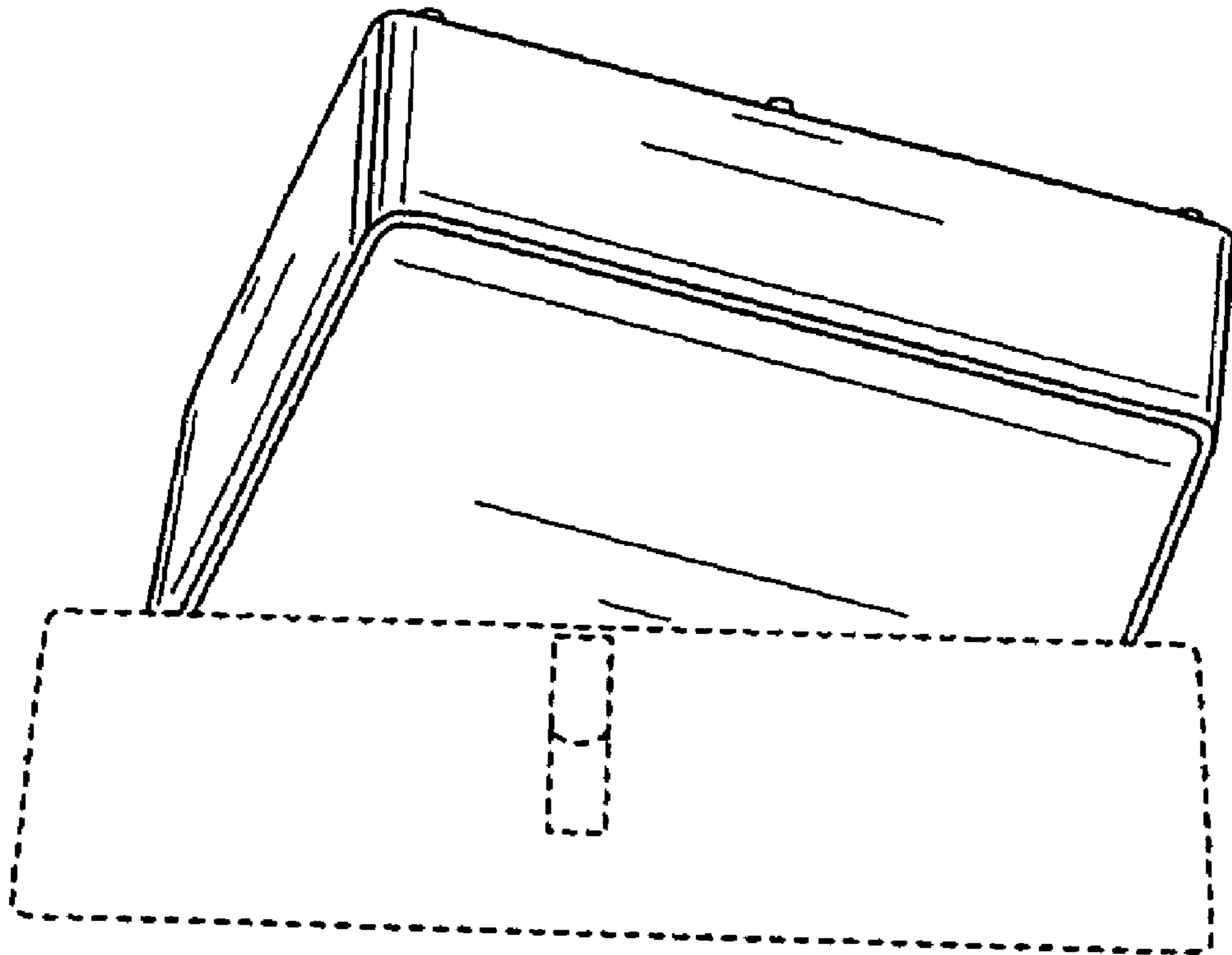


FIG. 2



**FIG. 3**

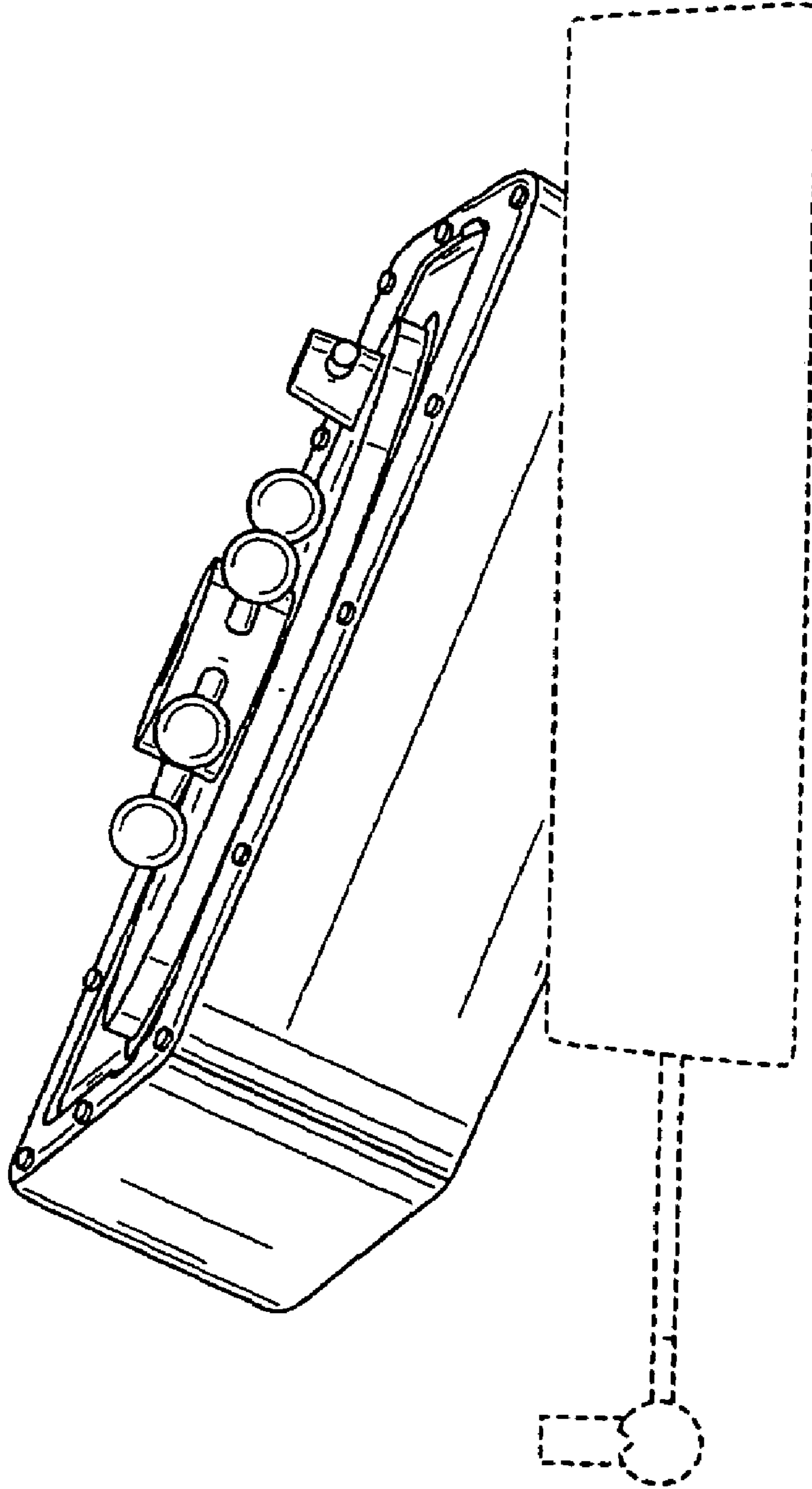


FIG. 4

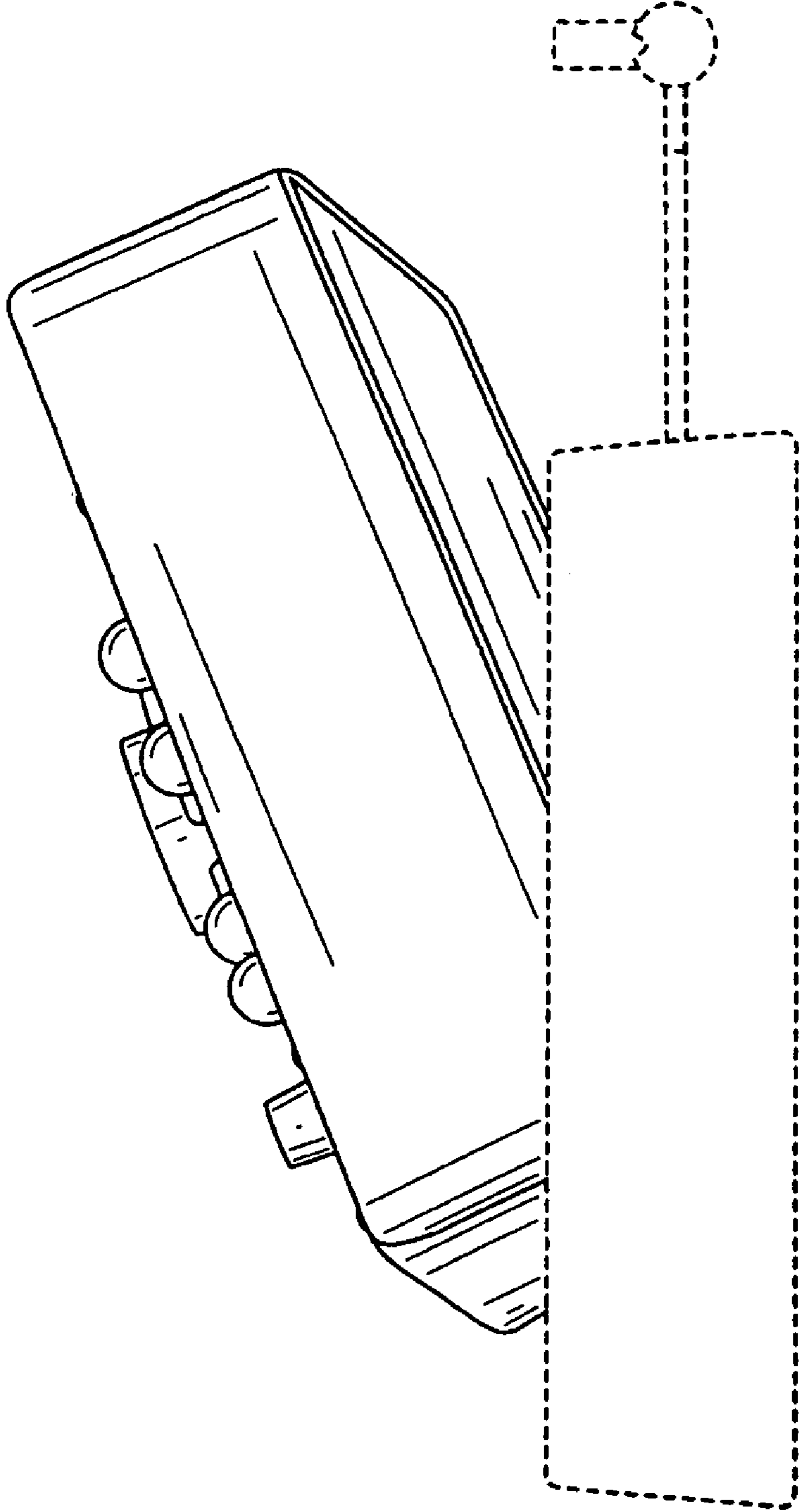


FIG. 5

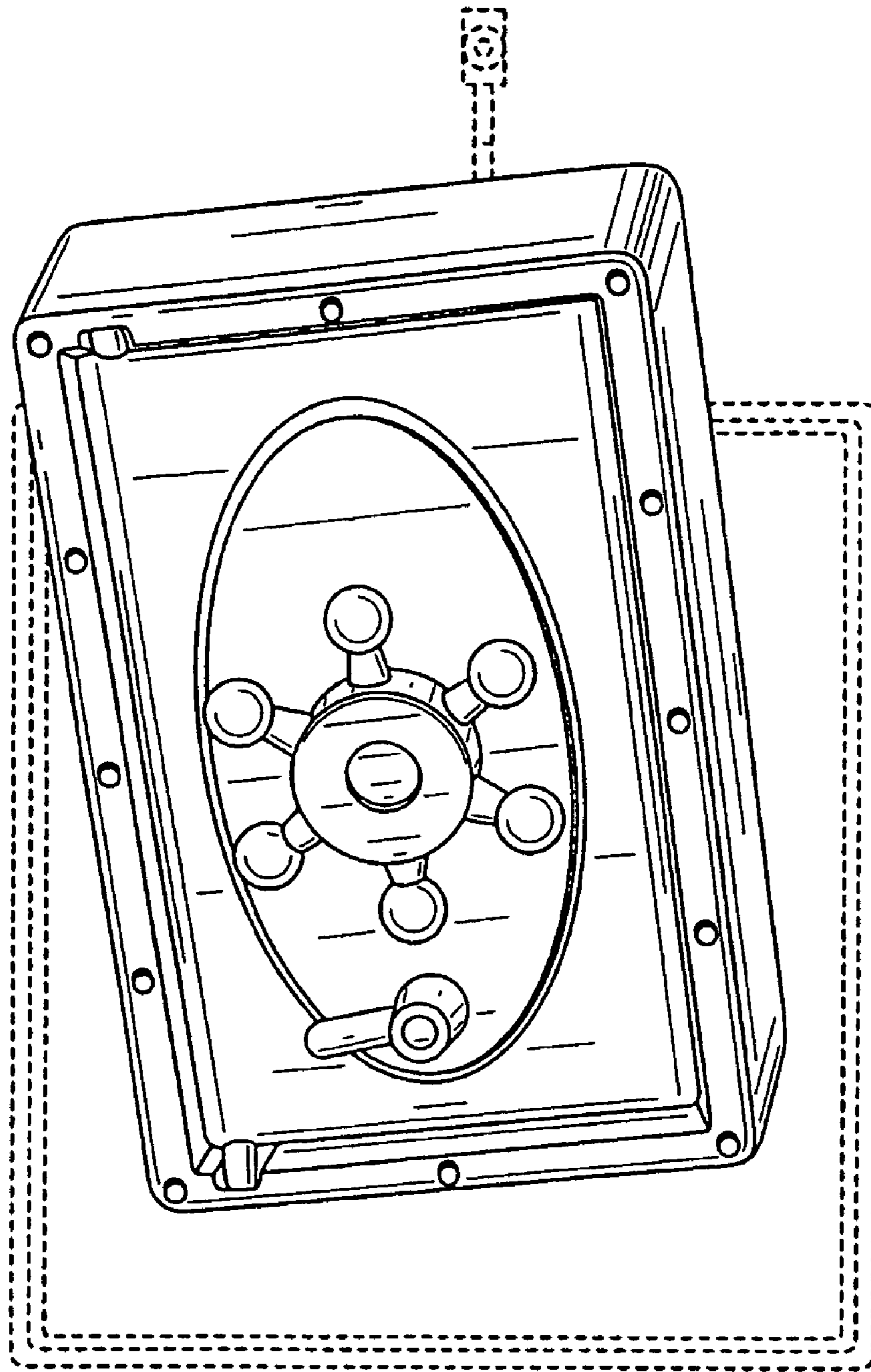


FIG. 6

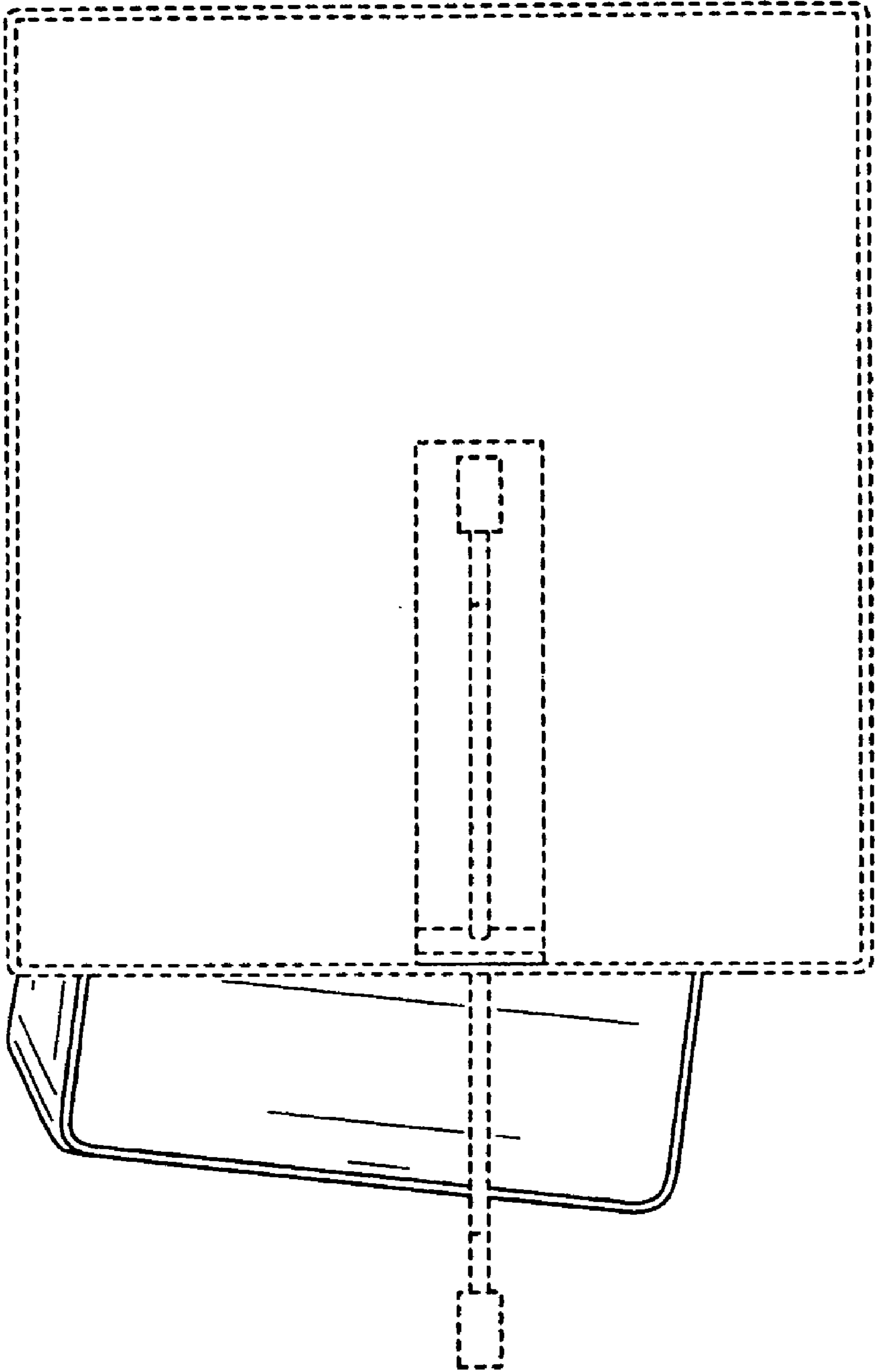


FIG. 7



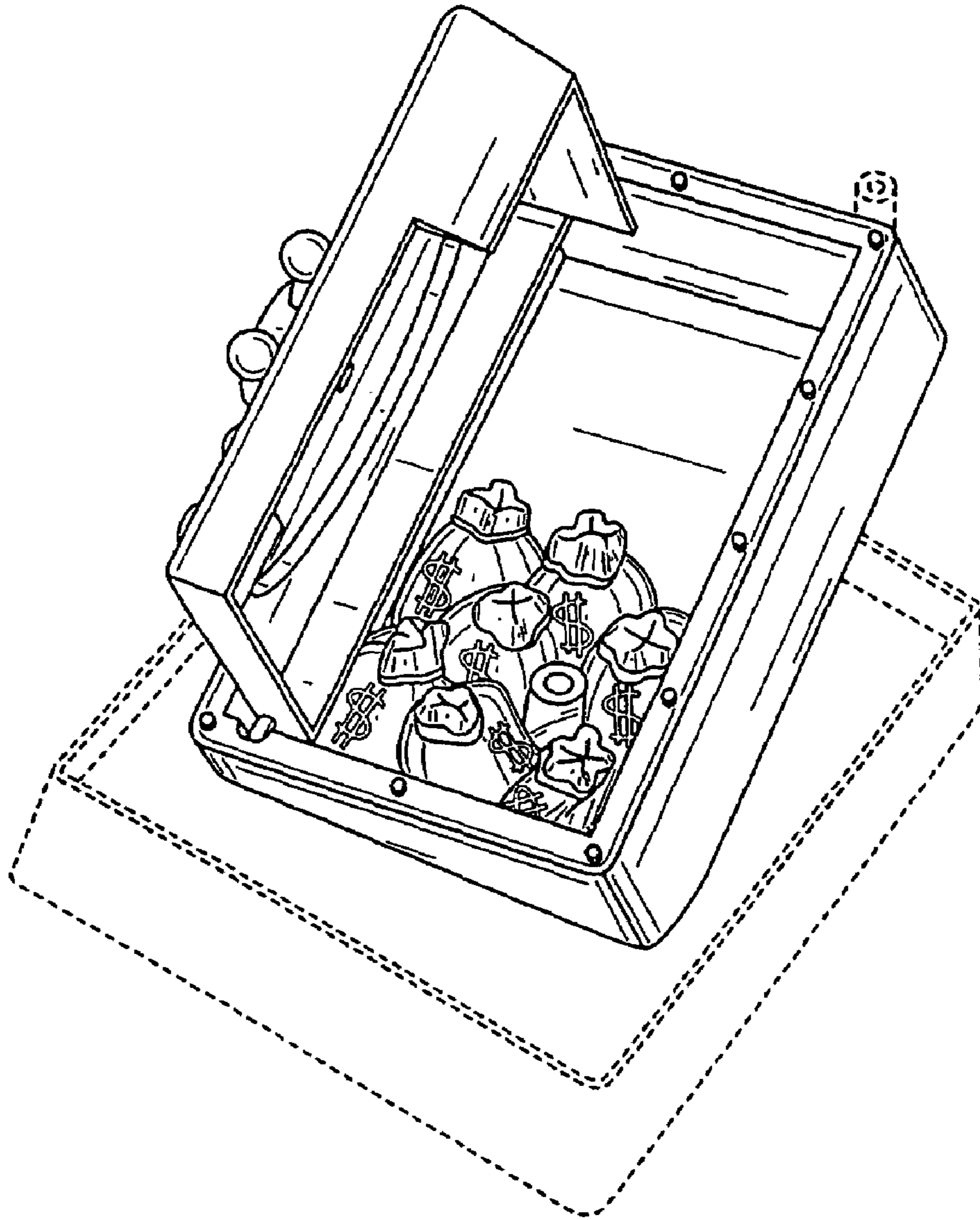


FIG. 8