



US00D577463S

(12) **United States Design Patent**
Kilroy

(10) **Patent No.:** **US D577,463 S**

(45) **Date of Patent:** **** Sep. 23, 2008**

(54) **COMBINED AQUARIUM AND ANIMAL EXHIBIT**

(76) Inventor: **Patrick F. Kilroy**, 3940 Ulla La., Lake Elsinore, CA (US) 92530

(**) Term: **14 Years**

(21) Appl. No.: **29/277,021**

(22) Filed: **Feb. 10, 2007**

(51) **LOC (8) Cl.** **30-02**

(52) **U.S. Cl.** **D30/101**

(58) **Field of Classification Search** D30/101-107;
D11/145; 119/245-248, 251-253, 258, 263,
119/265-267

See application file for complete search history.

(56) **References Cited**

U.S. PATENT DOCUMENTS

| | | | | | |
|-----------|-----|---------|-----------------|-------|---------|
| 3,512,503 | A * | 5/1970 | Willinger | | 119/251 |
| D251,206 | S * | 2/1979 | Conrad | | D30/104 |
| D253,729 | S * | 12/1979 | Ward | | D30/105 |
| 4,204,499 | A * | 5/1980 | Leyva et al. | | 119/246 |
| D259,292 | S * | 5/1981 | Conrad | | D30/101 |
| D265,856 | S * | 8/1982 | Totten | | D30/104 |
| 4,958,593 | A * | 9/1990 | Hurlburt et al. | | 119/246 |
| 5,000,118 | A * | 3/1991 | Merritt et al. | | 119/246 |

| | | | | | |
|-----------|------|---------|----------------|-------|---------|
| 5,009,188 | A * | 4/1991 | Yasui | | 119/253 |
| D340,550 | S * | 10/1993 | Teats | | D30/104 |
| 5,313,912 | A * | 5/1994 | O'Dell | | 119/246 |
| 5,337,701 | A * | 8/1994 | Syers | | 119/251 |
| 5,357,903 | A * | 10/1994 | Rivera | | 119/246 |
| D356,979 | S * | 4/1995 | Rahr | | D11/143 |
| D357,646 | S * | 4/1995 | Movizzo | | D11/202 |
| D397,522 | S * | 8/1998 | Bishop | | D30/101 |
| 6,019,064 | A * | 2/2000 | Alarcon | | 119/247 |
| 6,363,889 | B1 * | 4/2002 | Lamendola | | 119/246 |
| D473,347 | S * | 4/2003 | Vines | | D30/104 |
| D512,661 | S * | 12/2005 | Morris et al. | | D11/131 |
| D518,408 | S * | 4/2006 | Harrity et al. | | D11/131 |
| 7,025,018 | B2 * | 4/2006 | Goossen | | 119/246 |
| 7,073,463 | B1 * | 7/2006 | Blakely | | 119/246 |

* cited by examiner

Primary Examiner—Cathy Anne MacCormac

(57) **CLAIM**

The ornamental design of a combined aquarium and animal exhibit, as shown and described.

DESCRIPTION

FIG. 1 is a perspective view of a combined aquarium and animal exhibit showing my new design; and,

FIG. 2 is a top plan view thereof.

1 Claim, 1 Drawing Sheet

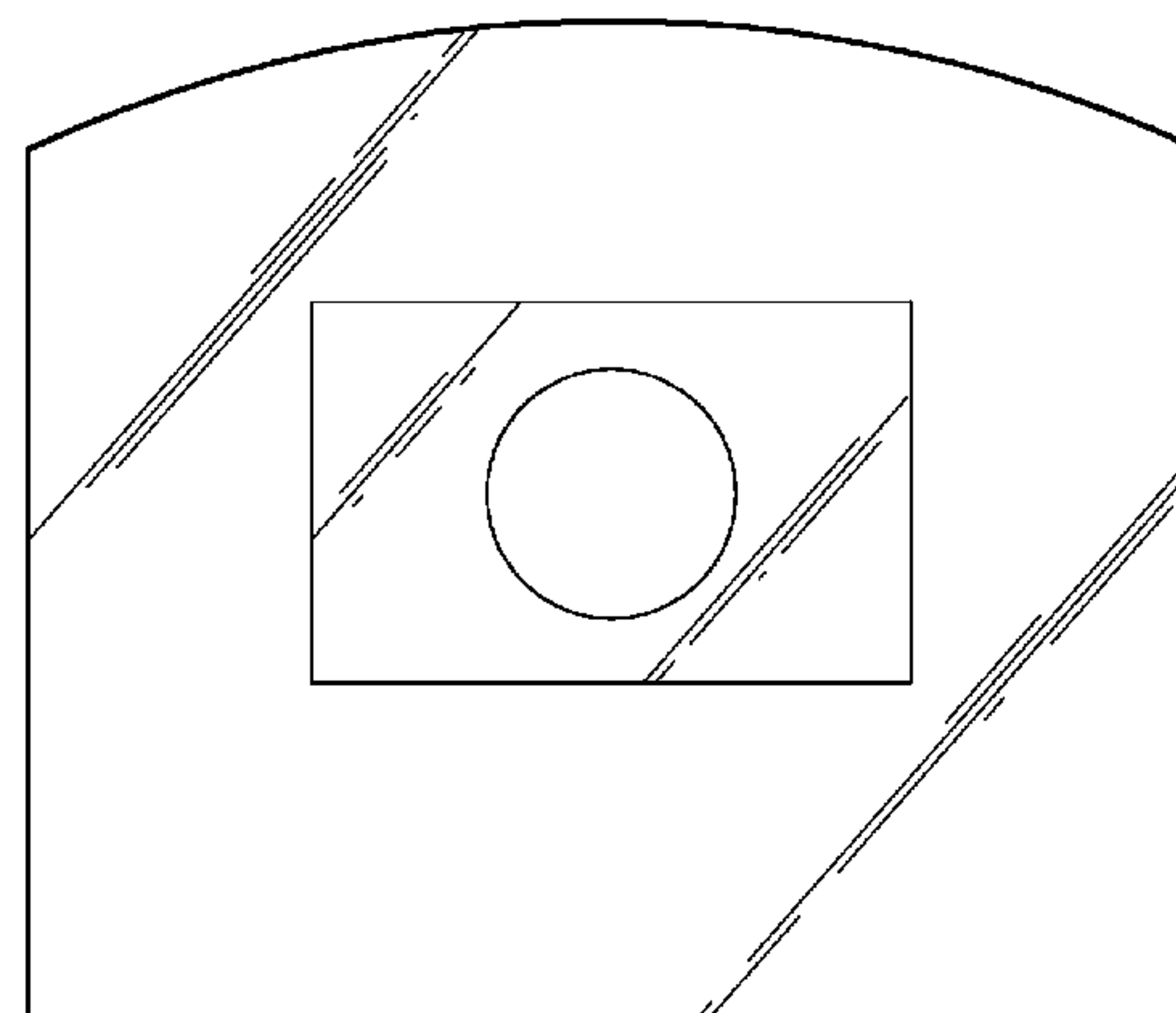
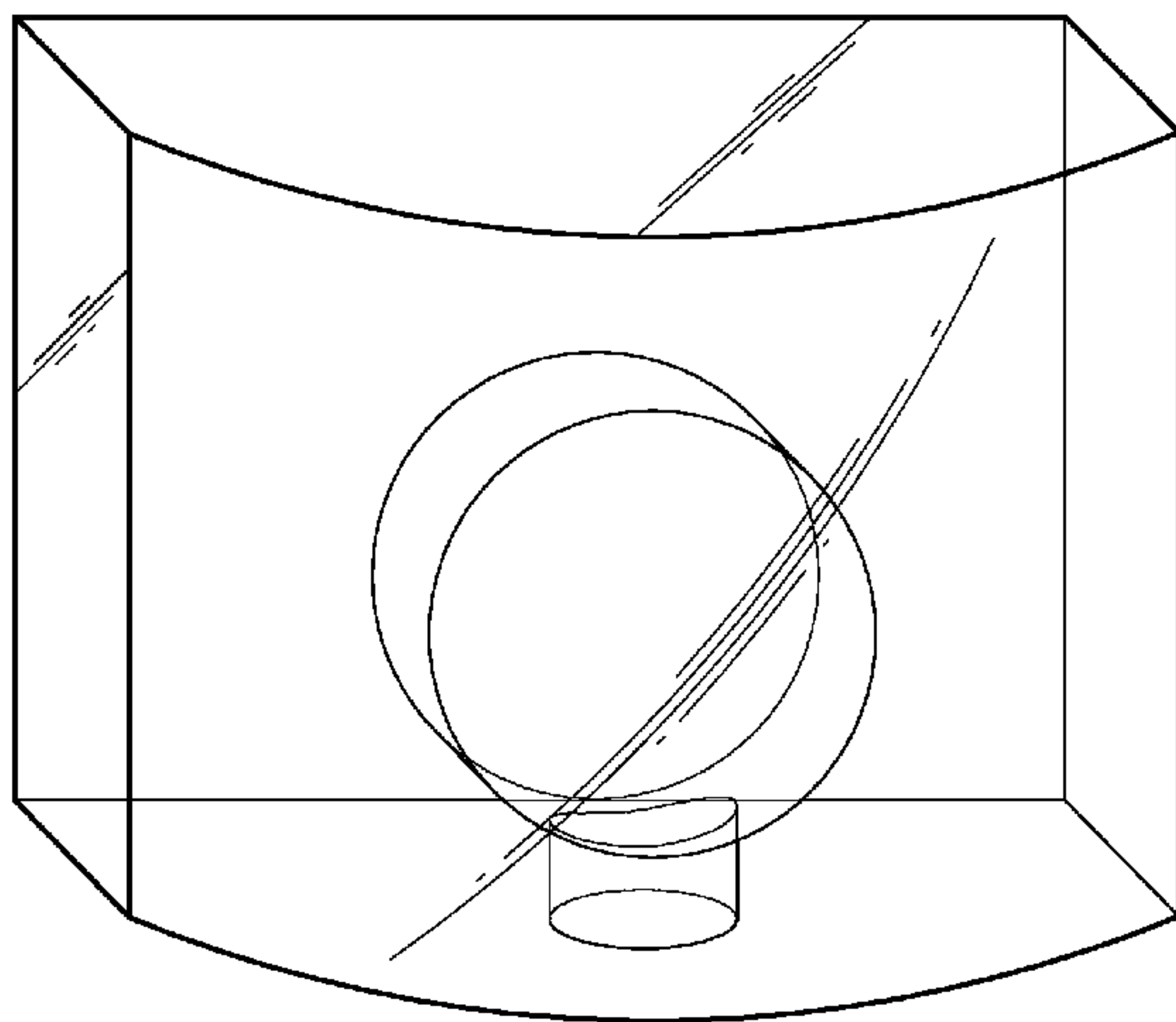


FIG. 1

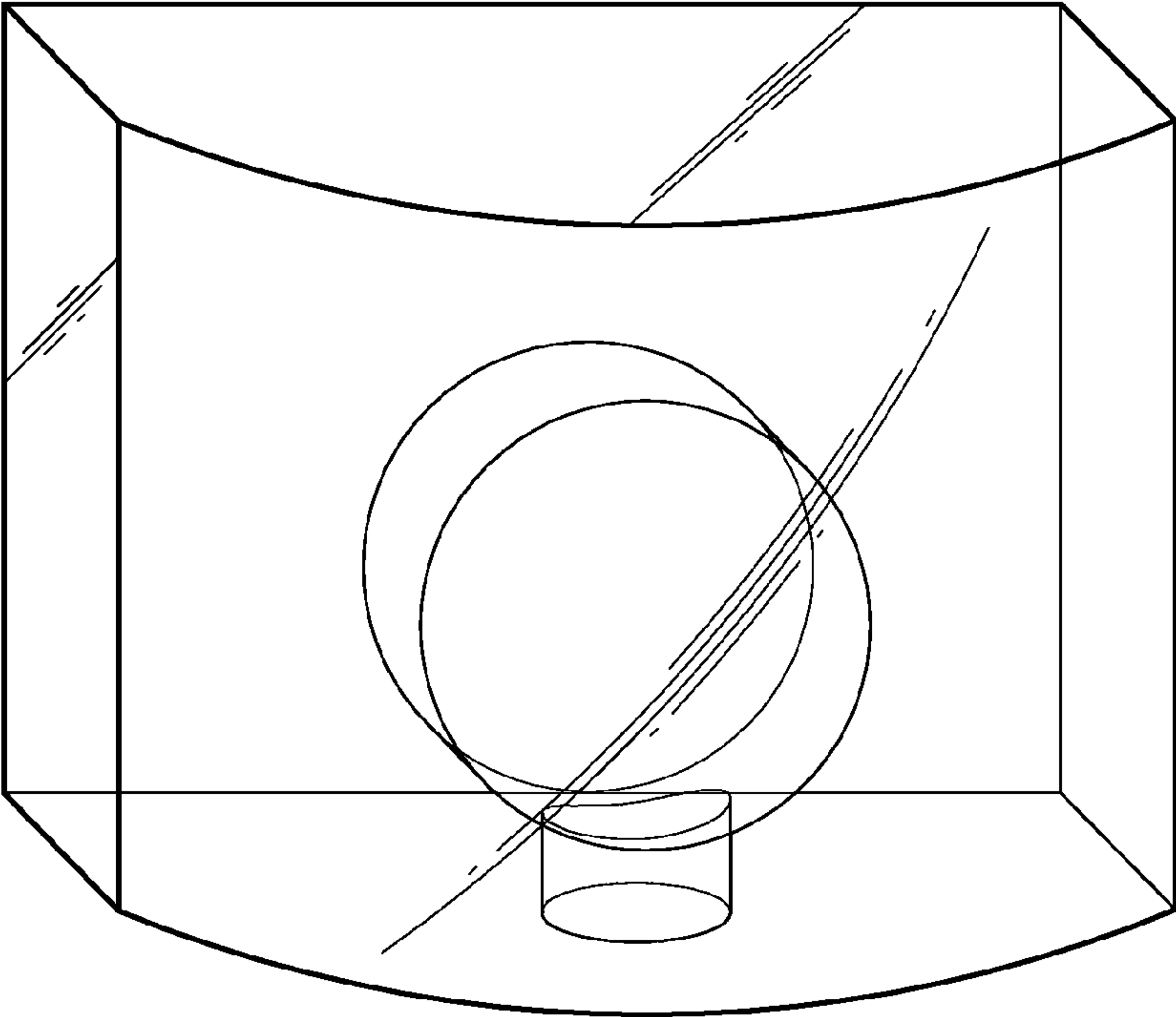


FIG. 2

