

US00D577462S

(12) **United States Design Patent**  
**Jansheski et al.**

(10) **Patent No.:** **US D577,462 S**

(45) **Date of Patent:** **\*\* Sep. 23, 2008**

(54) **COMBINATION DENTAL FLOSSER AND PICK**

(75) Inventors: **John M. Jansheski**, Maryville, TN (US); **Lex Shankle**, Maryville, TN (US); **Eric Mowell**, Maryville, TN (US); **Devin Moore**, Decatur, GA (US); **Erick E. Rios**, Decatur, GA (US); **Collin Farill**, Decatur, GA (US)

(73) Assignee: **Dentek Oral Care, Inc.**, Maryville, TN (US)

(\*\*) Term: **14 Years**

(21) Appl. No.: **29/296,180**

(22) Filed: **Oct. 16, 2007**

(51) **LOC (8) Cl.** ..... **28-03**

(52) **U.S. Cl.** ..... **D28/66; D28/68**

(58) **Field of Classification Search** ..... D28/31, D28/56, 65-68, 73; D24/152, 154; 433/141, 433/146-147; 132/322-329

See application file for complete search history.

(56) **References Cited**

U.S. PATENT DOCUMENTS

1,512,633	A *	10/1924	Peckham	.....	132/325
1,570,357	A	1/1926	Lawrenz		
2,180,522	A	11/1939	Henne		
2,664,093	A *	12/1953	Carpenter	.....	132/323
3,783,883	A	1/1974	Alexander		
D237,499	S	11/1975	Maloney et al.		
D240,831	S	8/1976	Wang		
D241,647	S *	9/1976	Ruggieri	.....	D24/154
4,002,183	A	1/1977	Restall		
4,280,518	A	7/1981	Gambaro		
4,671,307	A	6/1987	Curbow et al.		
D299,977	S	2/1989	Rinaudo		
D301,071	S	5/1989	Franchi		
D301,072	S	5/1989	Ross, Jr.		
4,832,062	A	5/1989	Grollimund et al.		
D309,803	S	8/1990	Potter		
D316,617	S	4/1991	Cheung		
D316,782	S *	5/1991	Torbenson	.....	D4/108
D323,723	S	2/1992	Chung		

5,123,432	A	6/1992	Wyss		
5,433,227	A	7/1995	Chen		
5,678,579	A	10/1997	Meyer et al.		
5,738,125	A	4/1998	Lin		
5,829,458	A	11/1998	Chodorow		
D410,115	S	5/1999	Chodorow		
6,055,993	A	5/2000	Meyer et al.		
6,102,051	A	8/2000	Neves		
6,227,210	B1	5/2001	Wyss		
6,257,252	B1	7/2001	Hall		
D531,757	S	11/2006	Jansheski et al.		
D531,758	S	11/2006	Jansheski et al.		
D532,160	S	11/2006	Jansheski et al.		
D532,934	S	11/2006	Crossman		

\* cited by examiner

*Primary Examiner*—Janice E. Seeger

*Assistant Examiner*—Zenia I Bennett

(74) *Attorney, Agent, or Firm*—Luedeka, Neely & Graham, PC

(57) **CLAIM**

The ornamental design for a combination dental flosser and pick, as shown.

**DESCRIPTION**

FIG. 1 is a front perspective view of the combination dental flosser and pick of our new design;

FIG. 2 is a right side view of the combination dental flosser and pick of FIG. 1;

FIG. 3 is a left side view of the combination dental flosser and pick of FIG. 1;

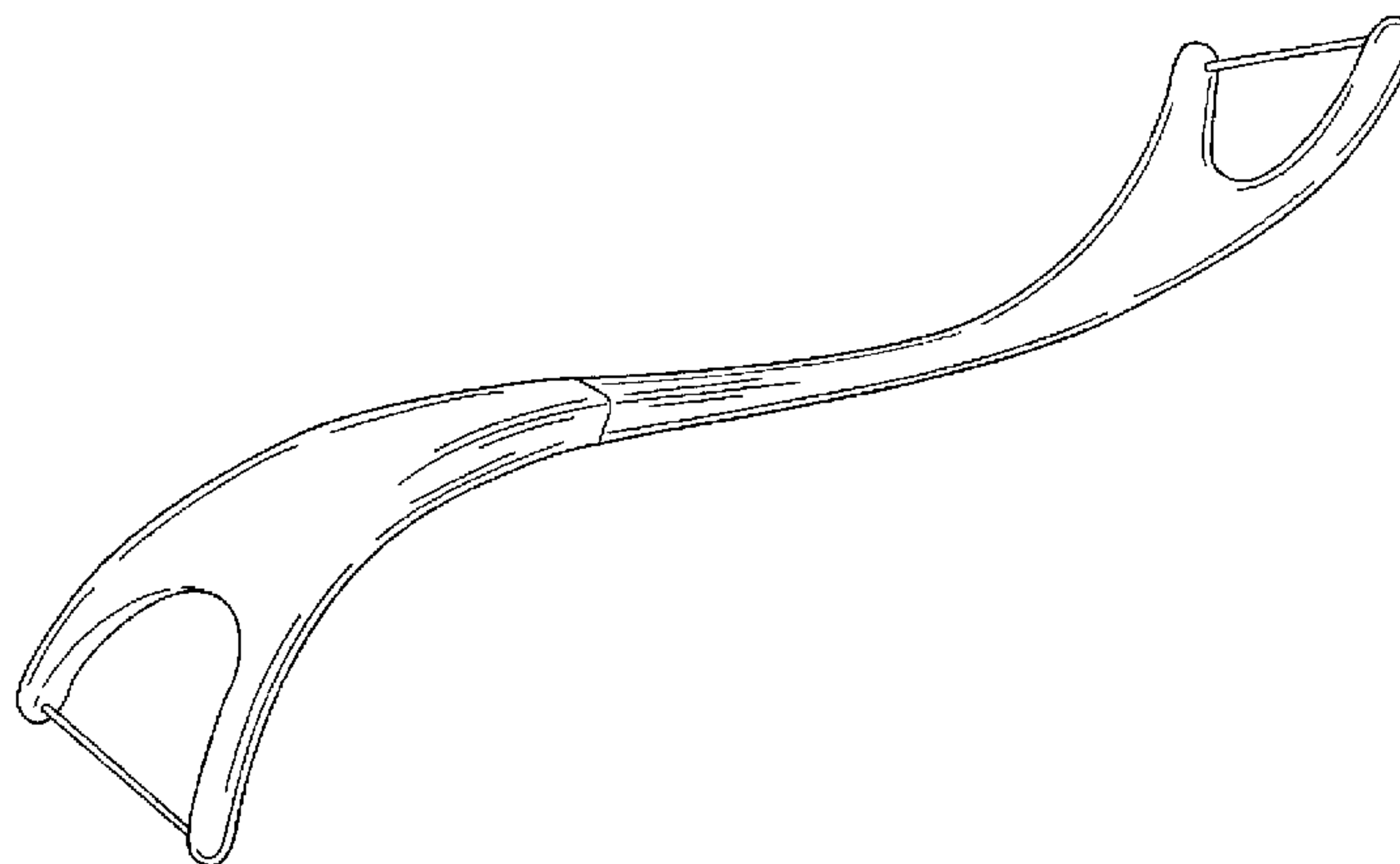
FIG. 4 is a top view of the combination dental flosser and pick of FIG. 1;

FIG. 5 is a bottom view of the combination dental flosser and pick of FIG. 1;

FIG. 6 is a left end view of the combination dental flosser and pick of FIG. 1; and,

FIG. 7 is a right end view of the combination dental flosser and pick of FIG. 1.

**1 Claim, 4 Drawing Sheets**



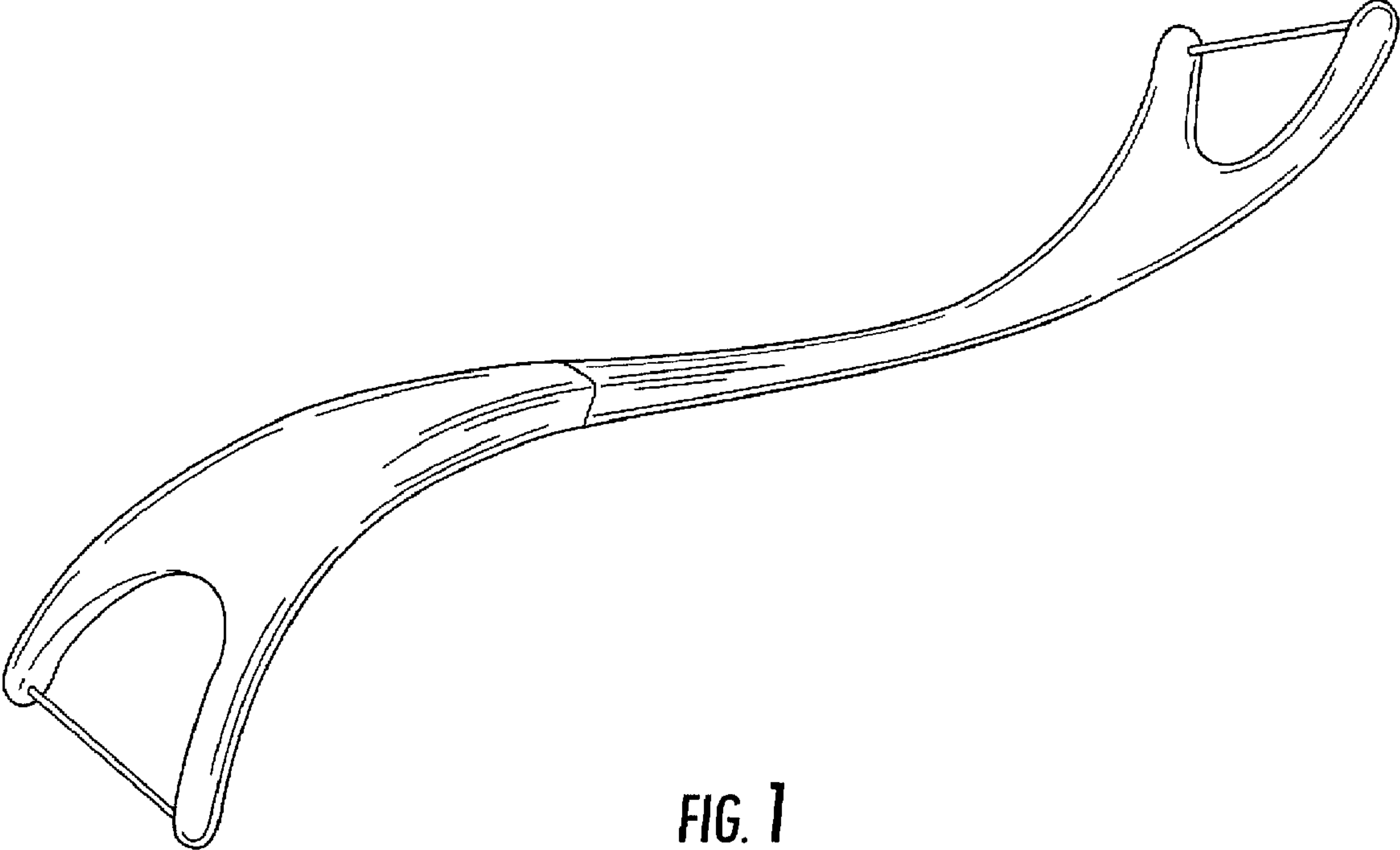


FIG. 1

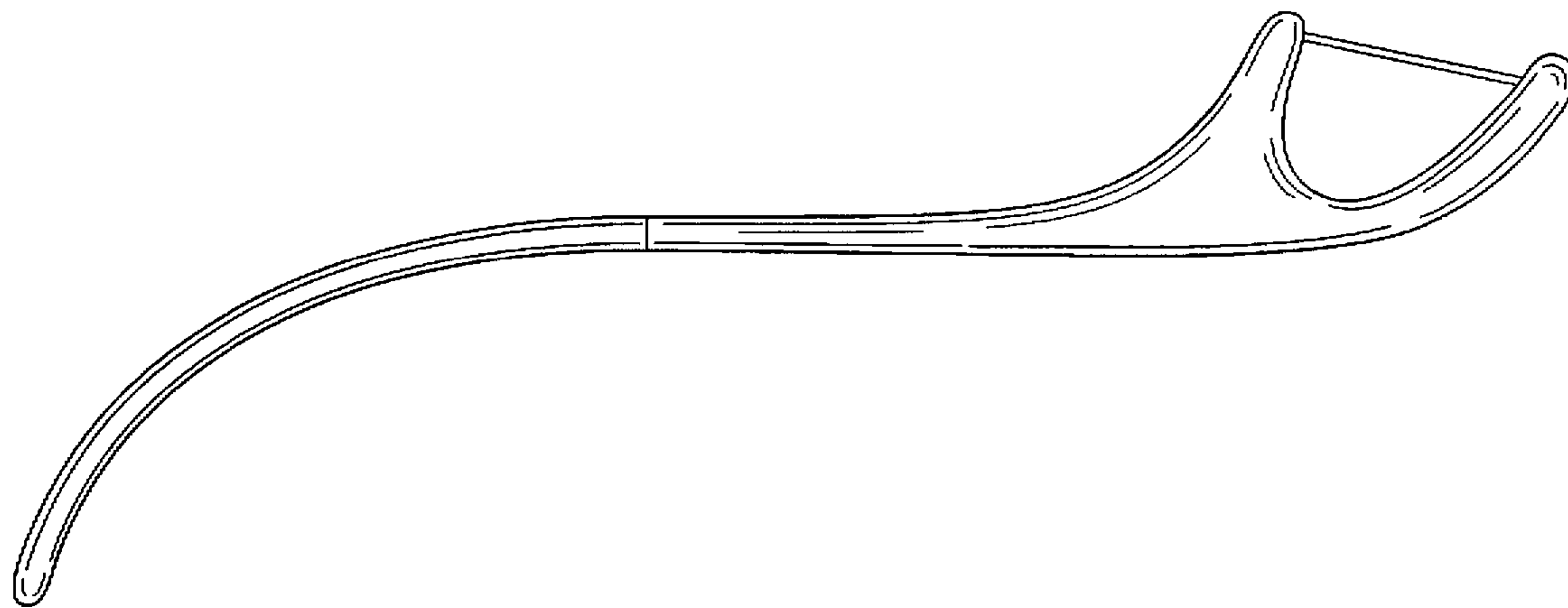


FIG. 2

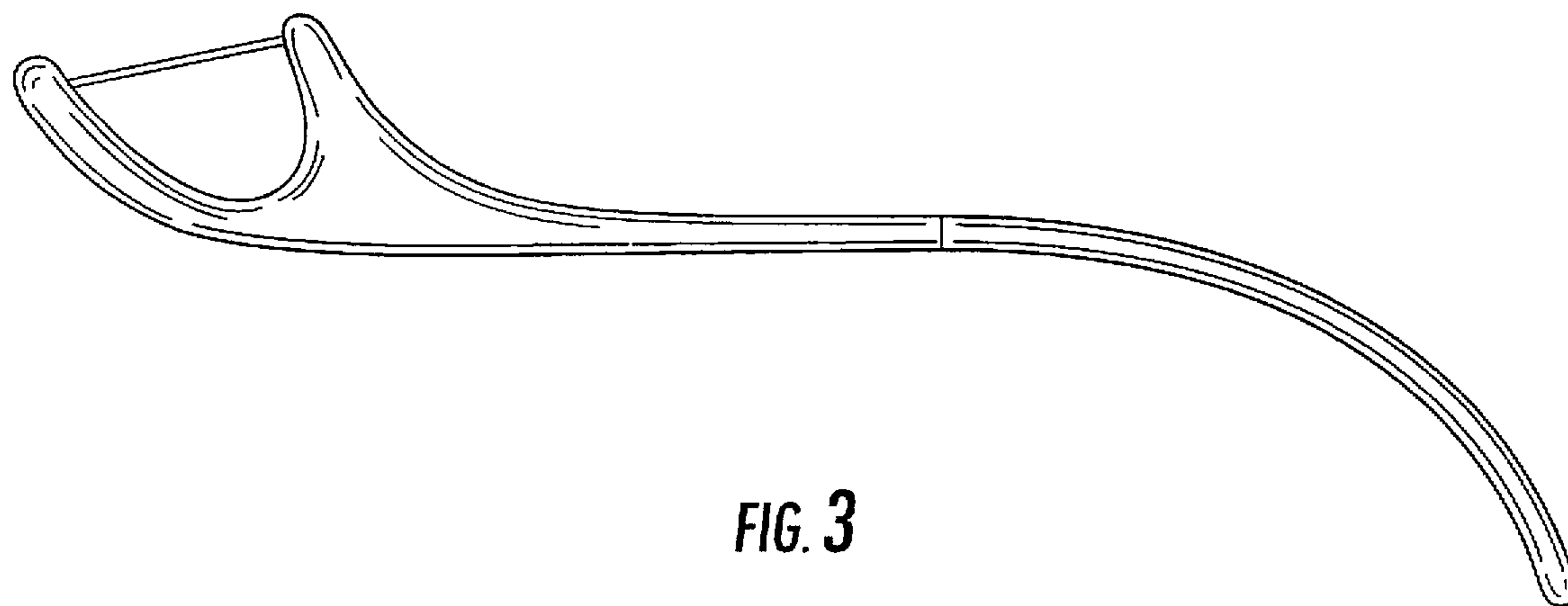


FIG. 3

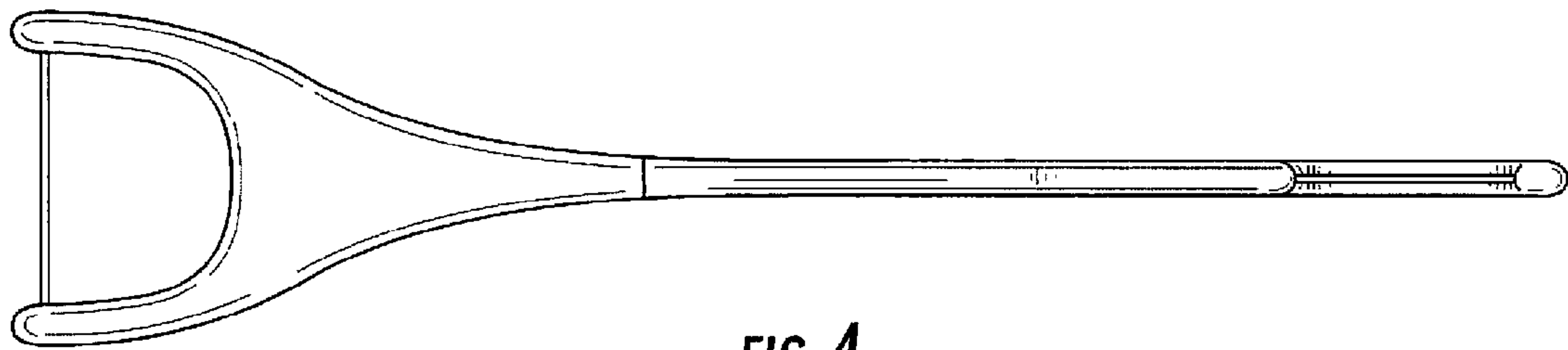


FIG. 4

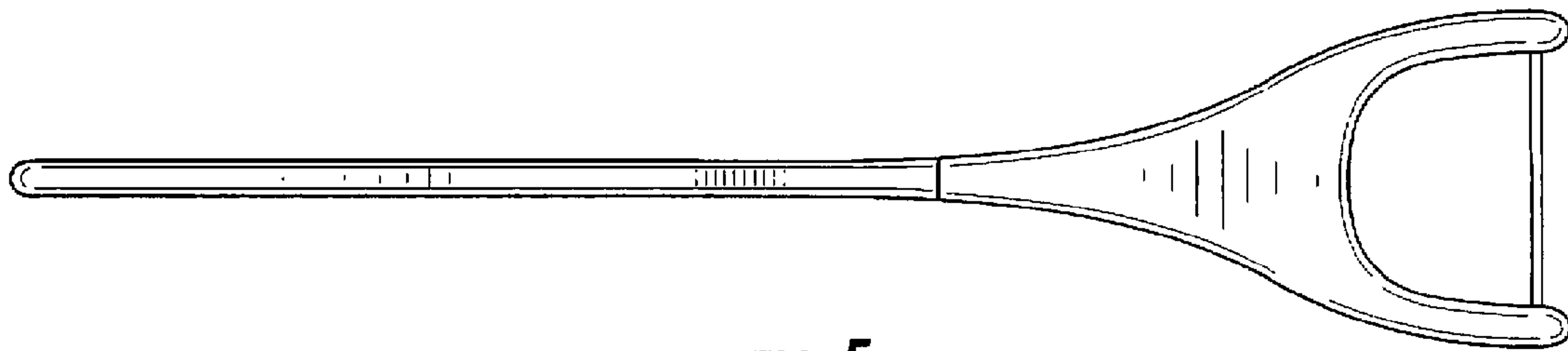


FIG. 5

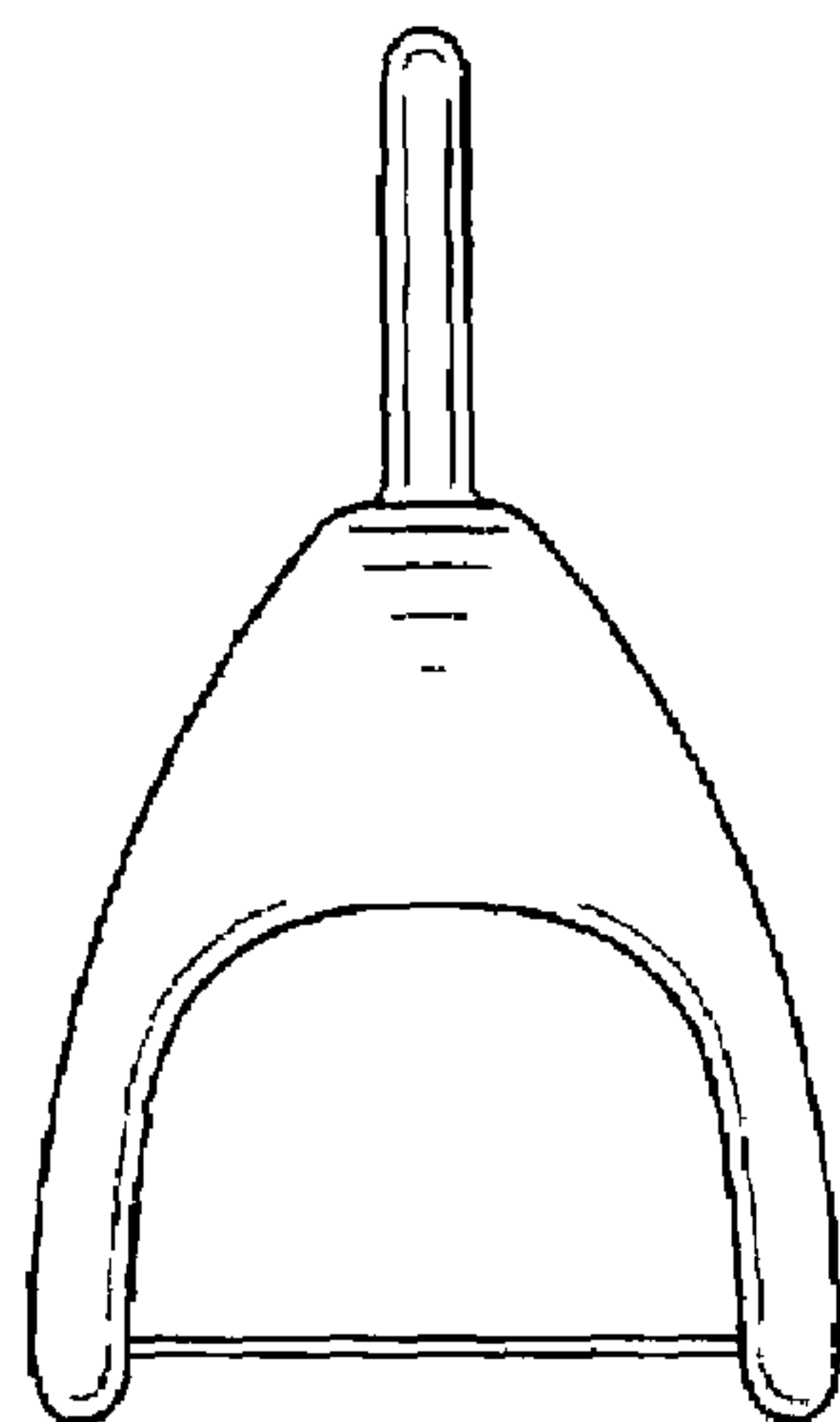


FIG. 6

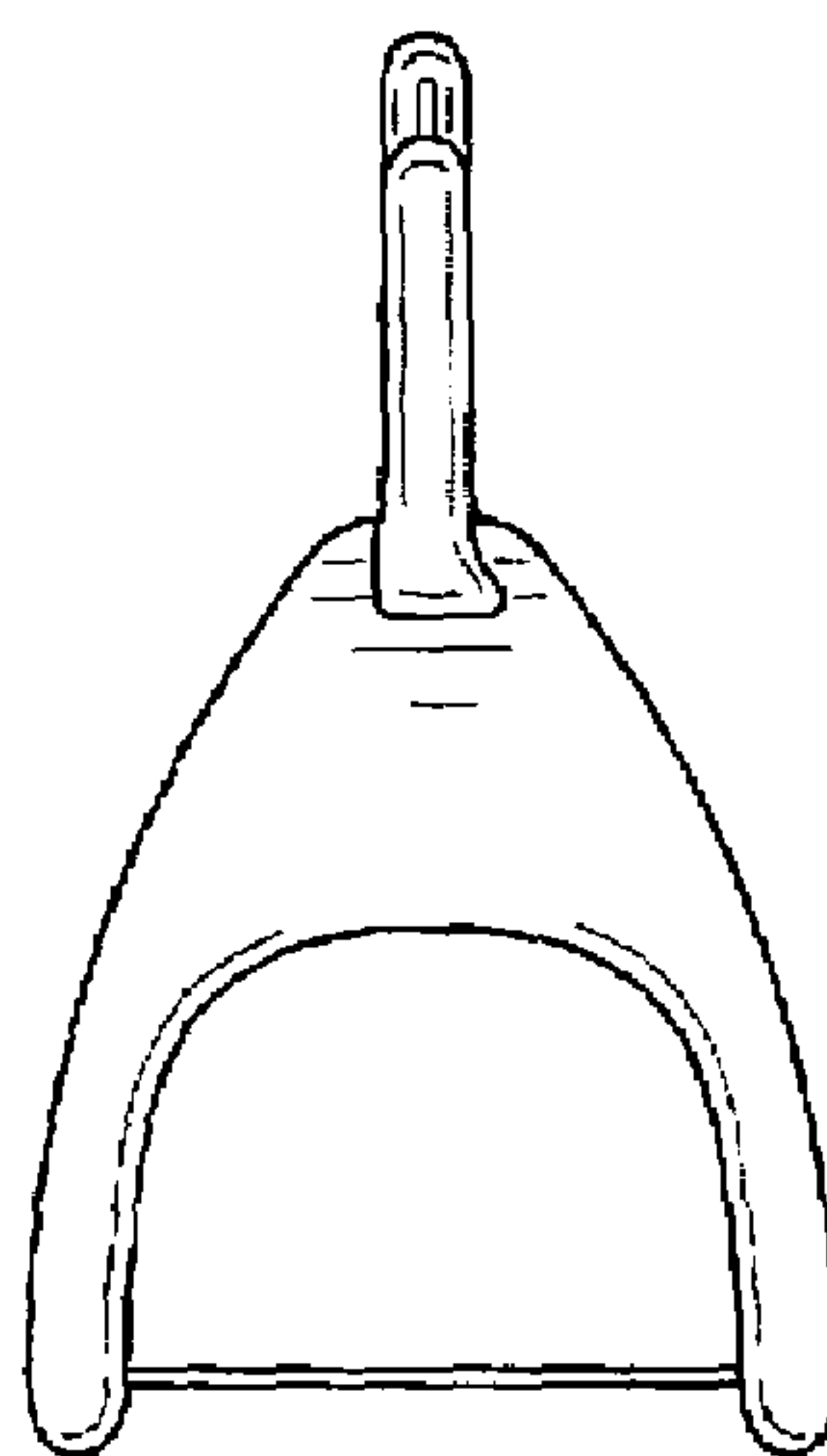


FIG. 7