



US00D577458S

(12) **United States Design Patent**  
**Chan et al.**

(10) **Patent No.:** **US D577,458 S**  
(45) **Date of Patent:** **\*\* Sep. 23, 2008**

(54) **POD LIGHT**

(75) Inventors: **Yu Chung Chan**, Tsuen Wan (CN); **Po Sum Lee**, North Point (CN); **Sherrey McGraw**, Dallas, TX (US); **Brian Wood**, McKinney, TX (US); **Siu Cheong Hon**, Tseung Kwan O (CN)

(73) Assignee: **The Brinkman Corporation**, Dallas, TX (US)

(\*\*) Term: **14 Years**

(21) Appl. No.: **29/301,377**

(22) Filed: **Feb. 27, 2008**  
(Under 37 CFR 1.47)

**Related U.S. Application Data**

(62) Division of application No. 29/262,455, filed on Jun. 29, 2006, now Pat. No. Des. 567,994.

(51) **LOC (8) Cl.** ..... **26-03**

(52) **U.S. Cl.** ..... **D26/104**

(58) **Field of Classification Search** ..... D26/37,  
D26/40, 51, 55, 57, 93-112; D7/424, 428,  
D7/600, 647, 653; D9/602; 362/20, 122,  
362/125, 154, 157-159, 182, 184, 190, 253,  
362/410-415, 800

See application file for complete search history.

(56) **References Cited**

**U.S. PATENT DOCUMENTS**

2,908,101 A 10/1959 Butler et al.  
D544,117 S 6/2007 Coushaine  
D544,618 S \* 6/2007 Coushaine ..... D26/37

**OTHER PUBLICATIONS**

Internet printout from Summit Camping Gear website at <http://www.summitcampinggear.com/coforkiil.html> printed on Apr. 9, 2007—Coleman for Kids Illumipods (3 pgs).

Internet printout from Burdick Baby website at <http://www.burdickbaby.com/nightlights.html> printed on Apr. 9, 2007—light:night children's portable night light (4 pgs.).

Internet printout from WellMike website at <http://www.wellmike.com/hotproduct2.htm> printed on Apr. 9, 2007—DX-414 Atmosphere Glow, DX-414M Music Atmosphere Glow, DX-414W LED push light (2 pgs.).

Internet printout from Wedding Flowers And More website at <http://www.weddingflowersandmore.com/iris.html> printed on Apr. 9, 2007—Lighting Discs (9 pgs.).

Internet printout from Windy City Novelties website at [http://www.windycitynovelties.com/EPaysoft/cart/product.asp?ITEM\\_ID=7272&CatID=372](http://www.windycitynovelties.com/EPaysoft/cart/product.asp?ITEM_ID=7272&CatID=372) printed on Apr. 9, 2007—Flashing Blue Translucent Circle light (3 pgs.).

\* cited by examiner

*Primary Examiner*—Brian N Vinson

(74) *Attorney, Agent, or Firm*—Sheppard, Mullin, Richter & Hampton LLP

(57) **CLAIM**

We claim the ornamental design for a pod light, as shown and described.

**DESCRIPTION**

FIG. 1 is a perspective view of a pod light showing the new design;

FIG. 2 is a front elevational view thereof;

FIG. 3 is a rear elevational view thereof;

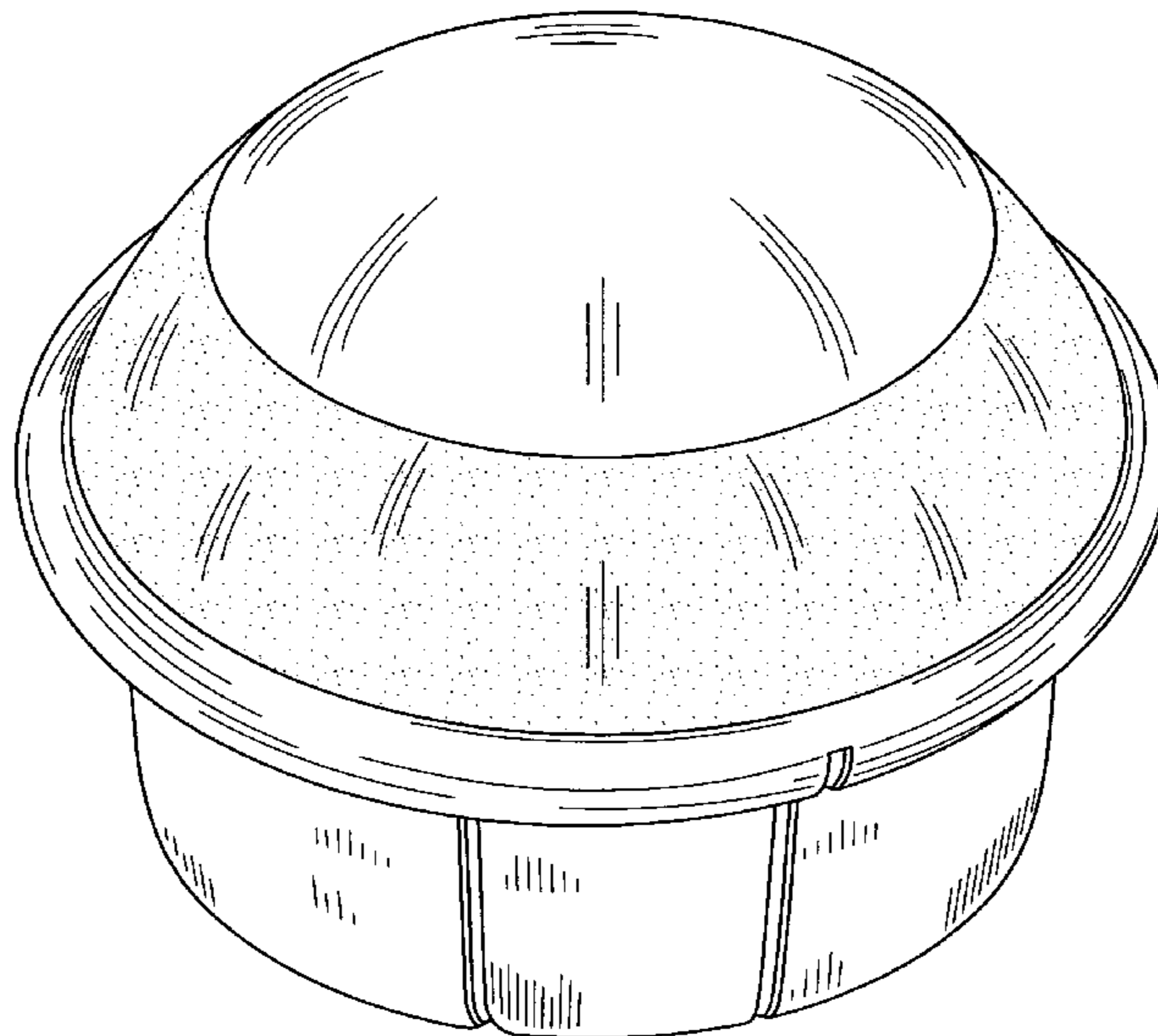
FIG. 4 is a right side elevational view thereof;

FIG. 5 is a left side elevational view thereof;

FIG. 6 is a top plan view thereof; and,

FIG. 7 is a bottom plan view thereof.

**1 Claim, 5 Drawing Sheets**



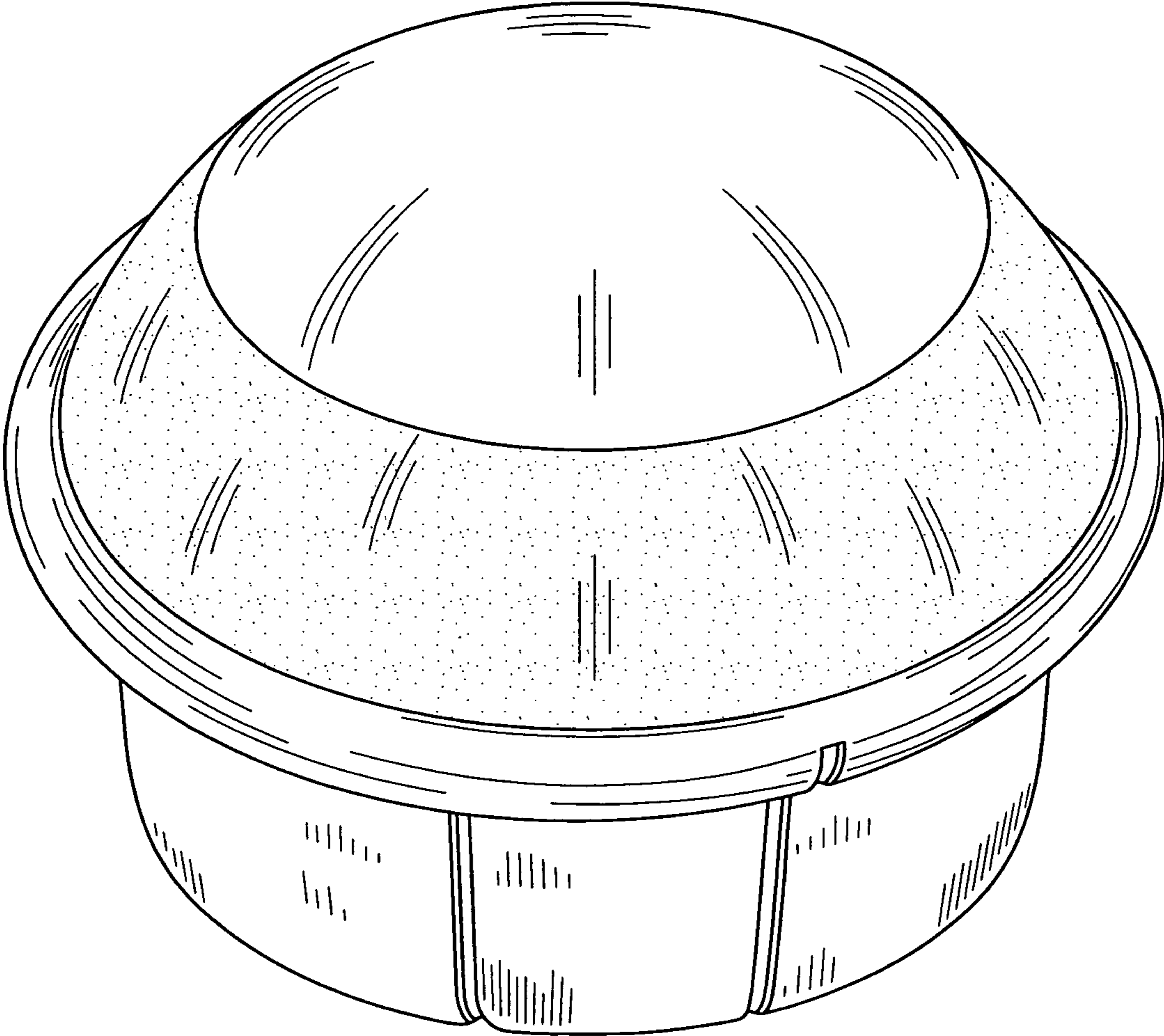


FIG. 1

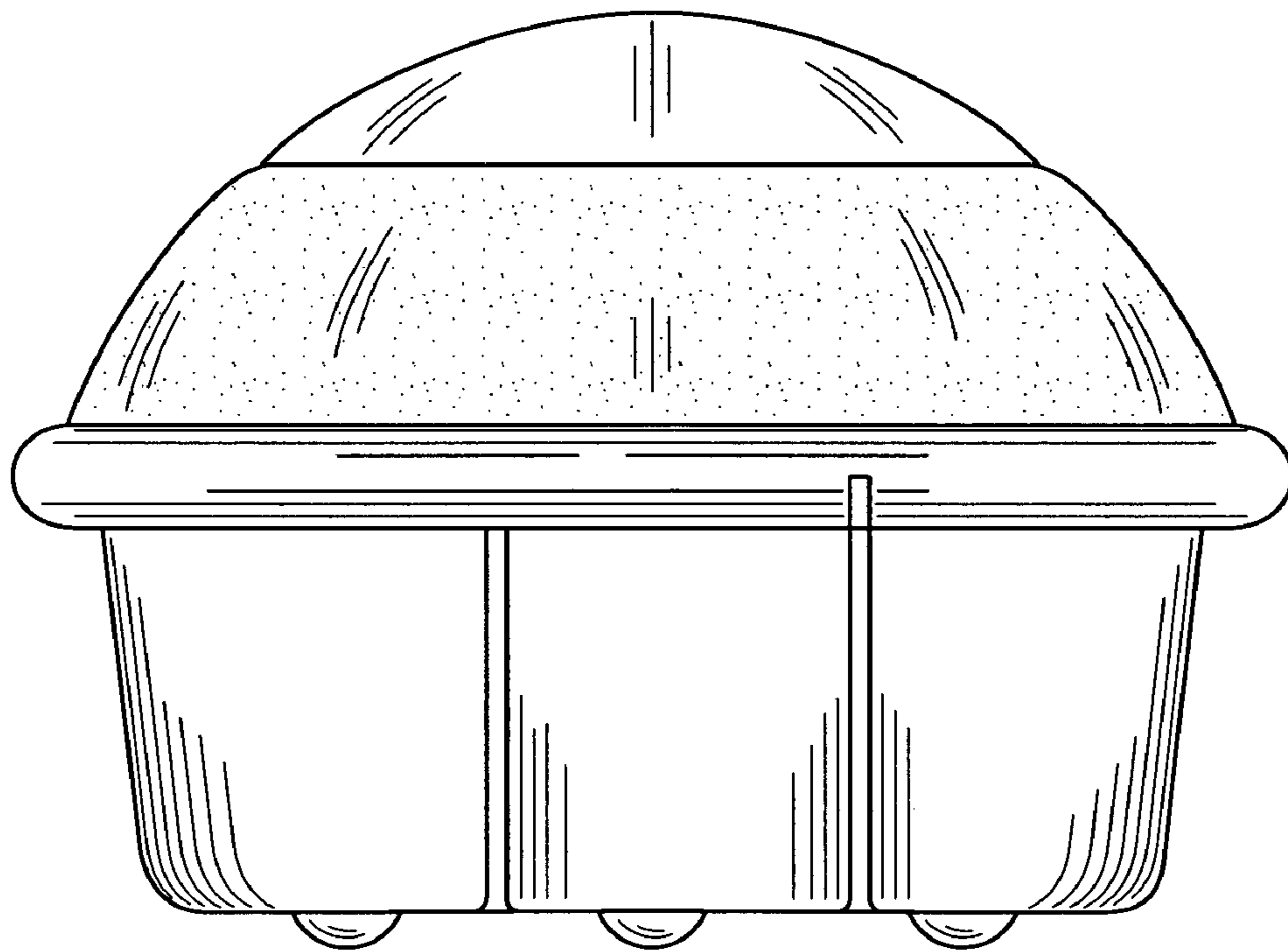


FIG. 2

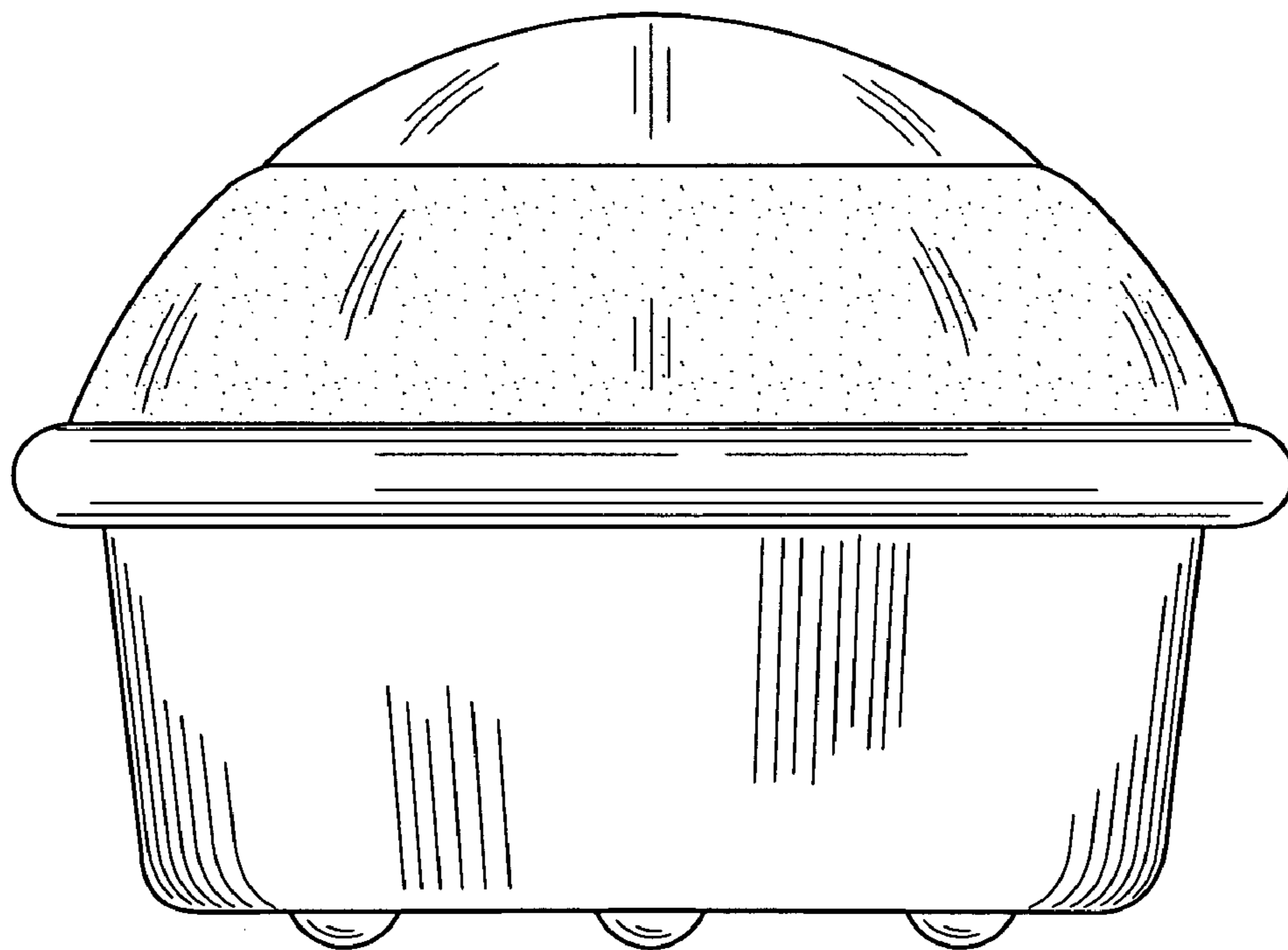


FIG. 3

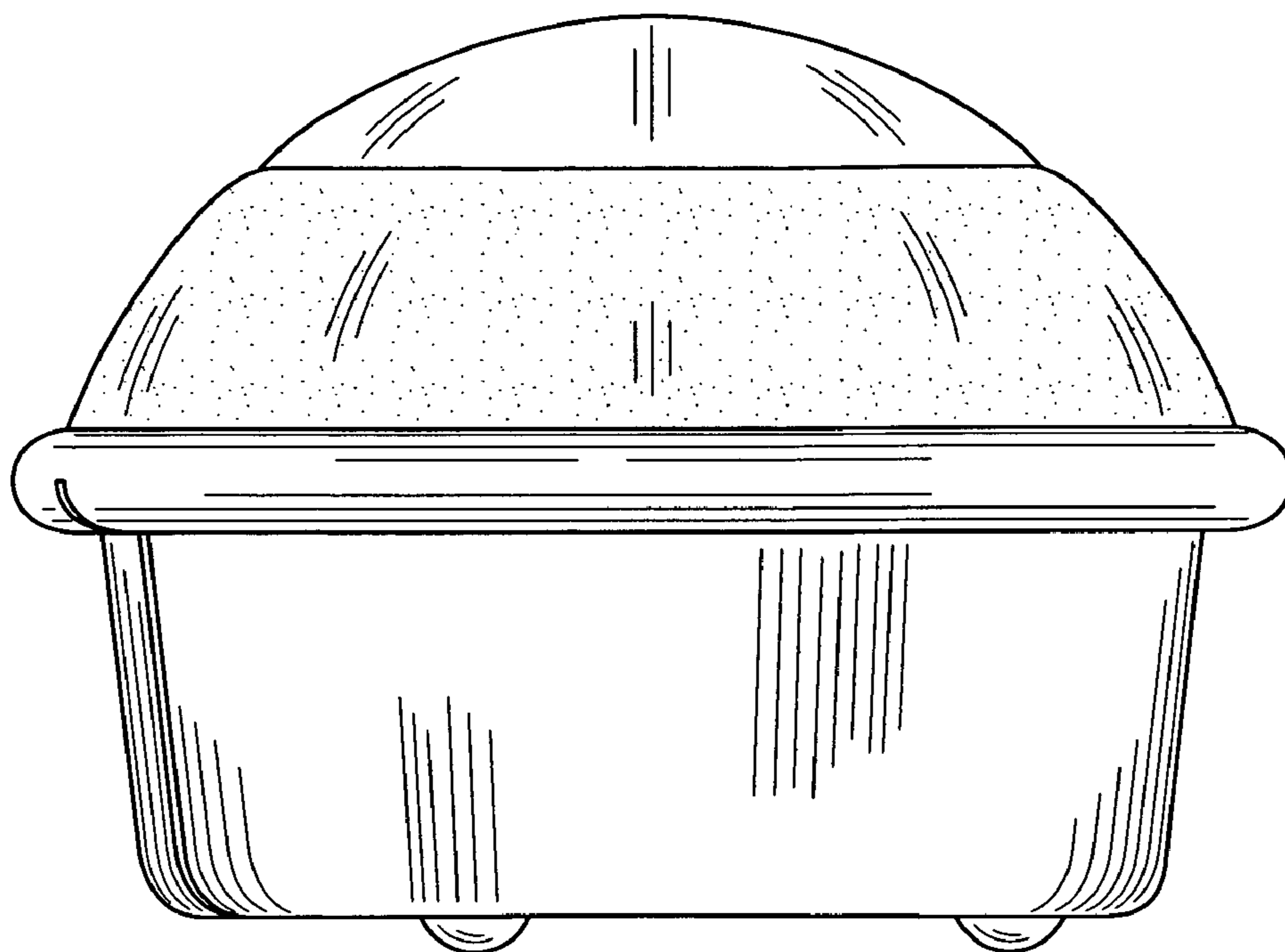


FIG. 4

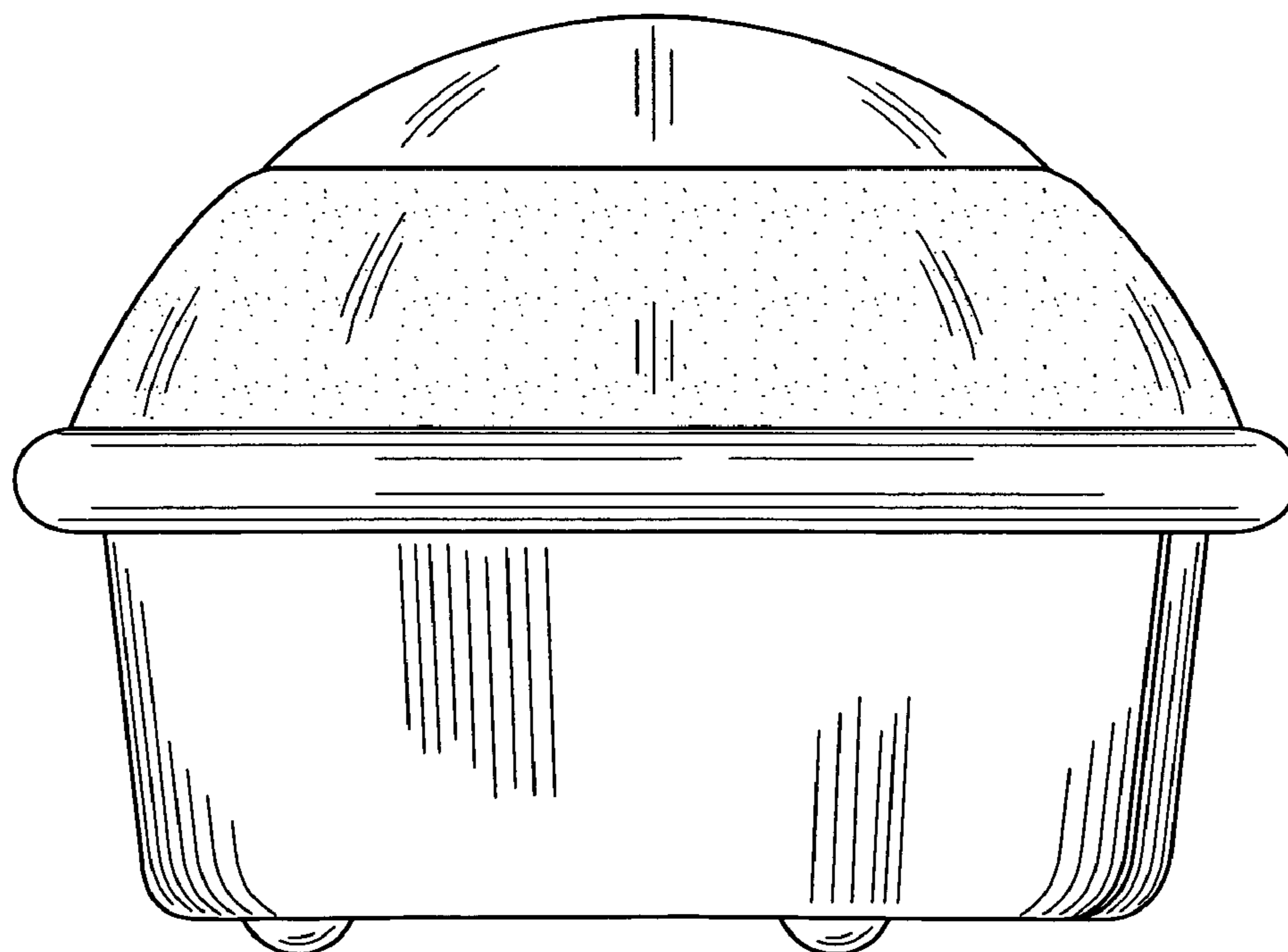


FIG. 5

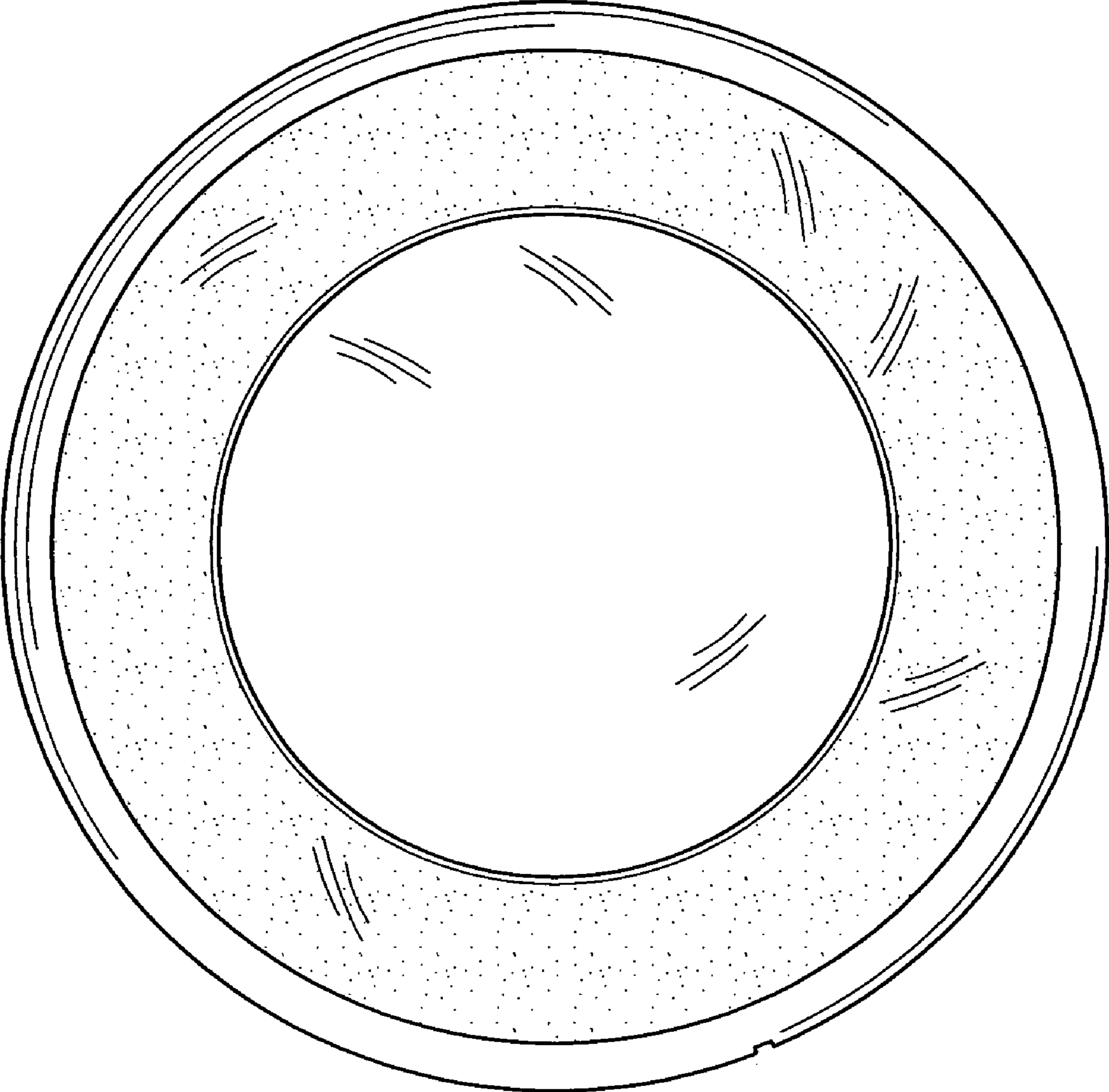


FIG. 6

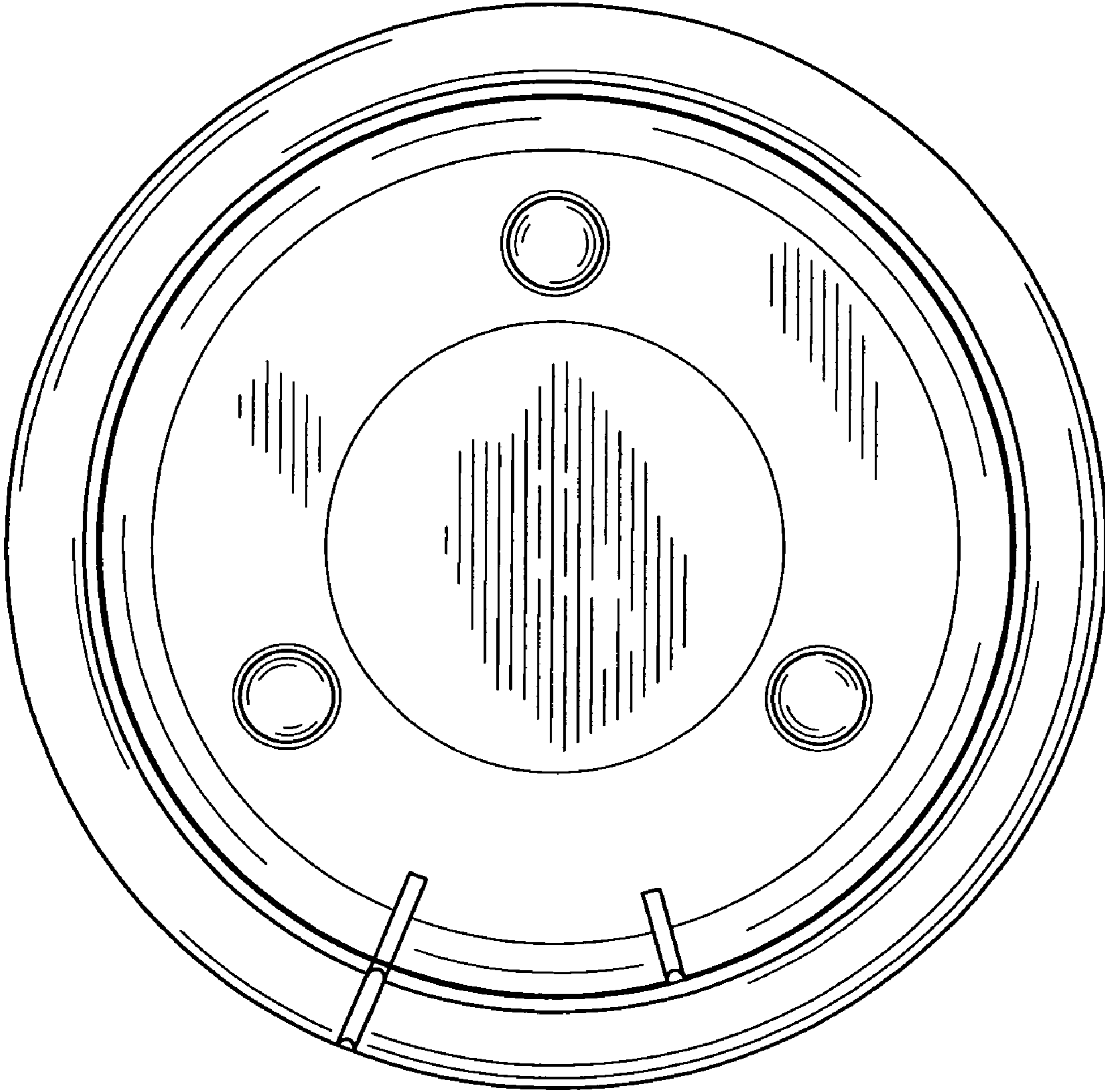


FIG. 7

UNITED STATES PATENT AND TRADEMARK OFFICE  
**CERTIFICATE OF CORRECTION**

PATENT NO. : Des. 577,458 S  
APPLICATION NO. : 29/301377  
DATED : September 23, 2008  
INVENTOR(S) : Yu Chung Chan et al.

Page 1 of 1

It is certified that error appears in the above-identified patent and that said Letters Patent is hereby corrected as shown below:

Title Page: line 73, Assignee, "The Brinkman Corporation" should be -- The Brinkmann Corporation --

Signed and Sealed this

Twentieth Day of October, 2009



David J. Kappos  
*Director of the United States Patent and Trademark Office*