



US00D577455S

(12) **United States Design Patent**
Zheng et al.

(10) **Patent No.:** **US D577,455 S**
(45) **Date of Patent:** **** Sep. 23, 2008**

(54) **LED LAMP**

(75) Inventors: **Shi-Song Zheng**, Shenzhen (CN);
Xu-Hua Xiao, Shenzhen (CN);
Wen-Xiang Zhang, Shenzhen (CN)

(73) Assignee: **Foxconn Technology Co., Ltd.**,
Tu-Cheng, Taipei Hsien (TW)

(**) Term: **14 Years**

(21) Appl. No.: **29/299,063**

(22) Filed: **Dec. 19, 2007**

(51) **LOC (8) Cl.** **26-05**

(52) **U.S. Cl.** **D26/71; D26/92**

(58) **Field of Classification Search** D26/67-71,
D26/92; 362/145, 183, 431, 545, 800
See application file for complete search history.

(56) **References Cited**

U.S. PATENT DOCUMENTS

D174,975 S * 6/1955 Agnew et al. D26/67
D194,063 S * 11/1962 Whitley, Jr. et al. D26/76
D208,491 S * 9/1967 Brooks D26/71

D378,143 S * 2/1997 Kollins D26/67
D404,511 S * 1/1999 Compton D26/67
D437,958 S * 2/2001 Doron et al. D26/71
D562,487 S * 2/2008 Romo D26/67

* cited by examiner

Primary Examiner—Clare E Heflin

(74) *Attorney, Agent, or Firm*—Frank R. Niranjana

(57) **CLAIM**

The ornamental design for an LED lamp, as shown and described.

DESCRIPTION

FIG. 1 is a perspective view of an LED lamp showing my new design;

FIG. 2 is a front elevational view thereof;

FIG. 3 is a rear elevational view thereof;

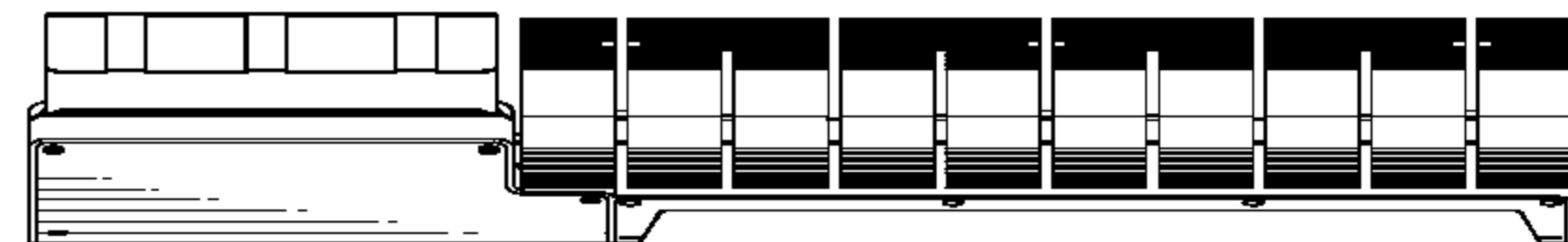
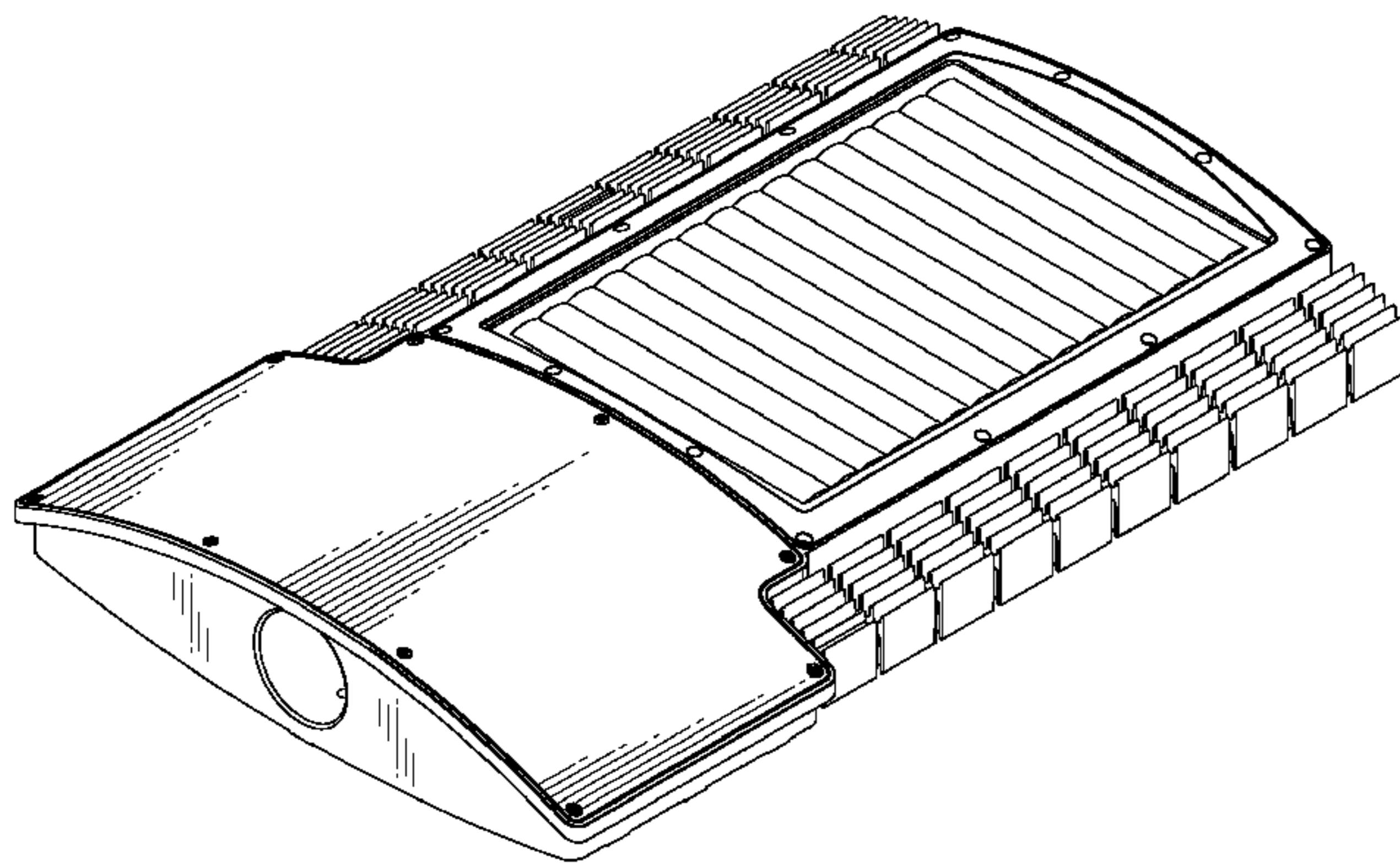
FIG. 4 is a left-side, elevational view thereof;

FIG. 5 is a right-side, elevational view thereof;

FIG. 6 is a top plan view thereof; and,

FIG. 7 is a bottom plan view thereof.

1 Claim, 7 Drawing Sheets



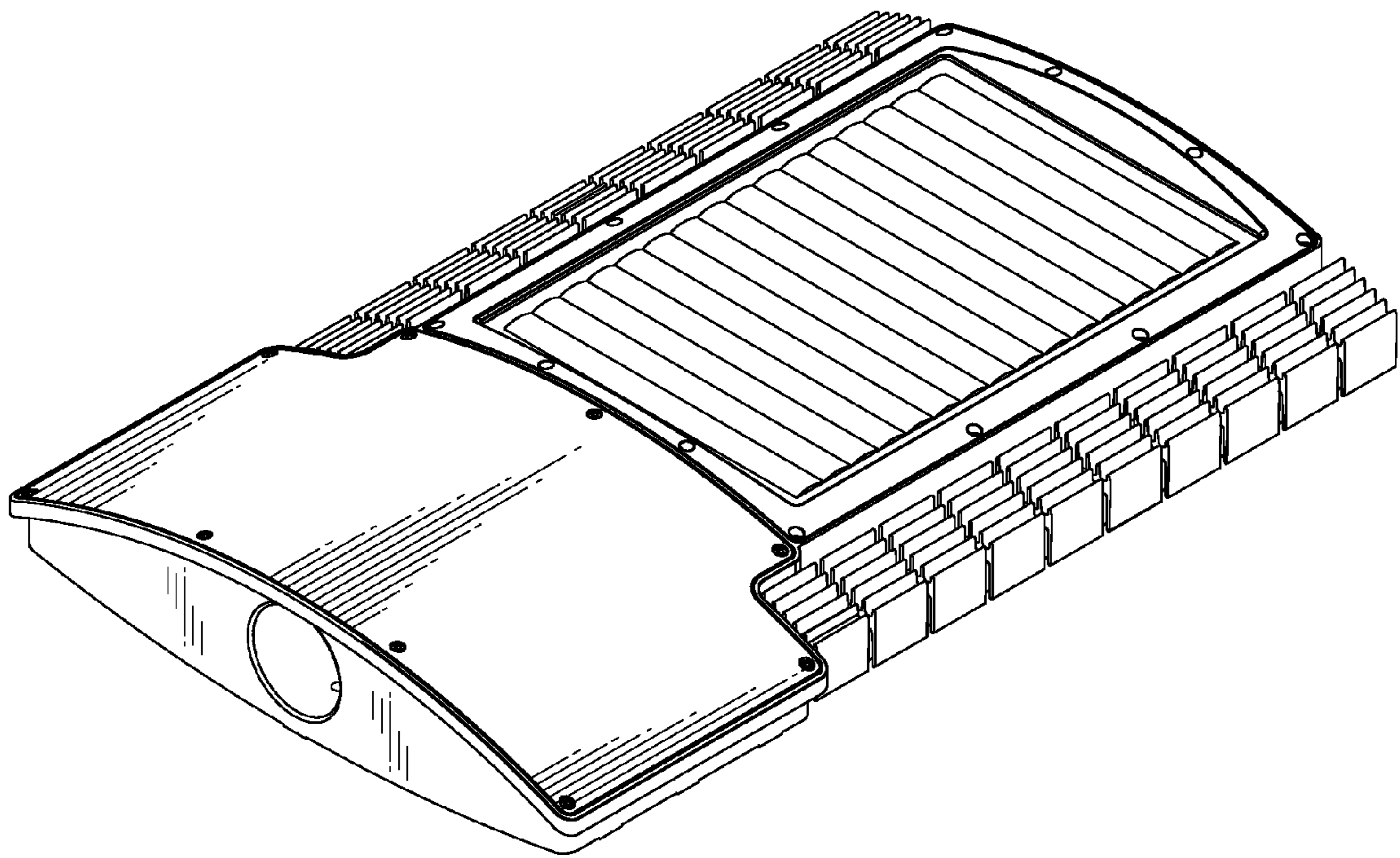


FIG. 1

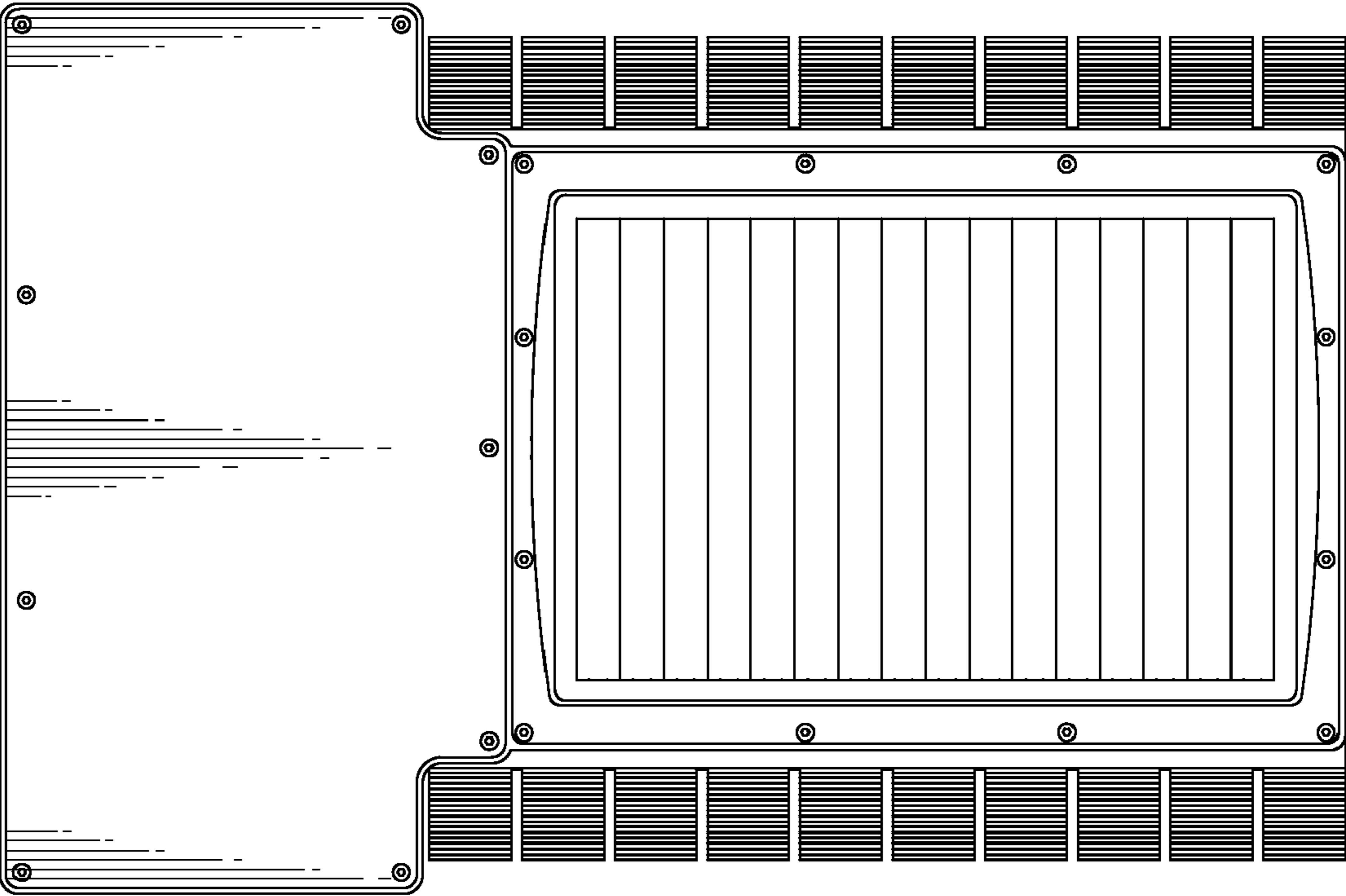


FIG. 2

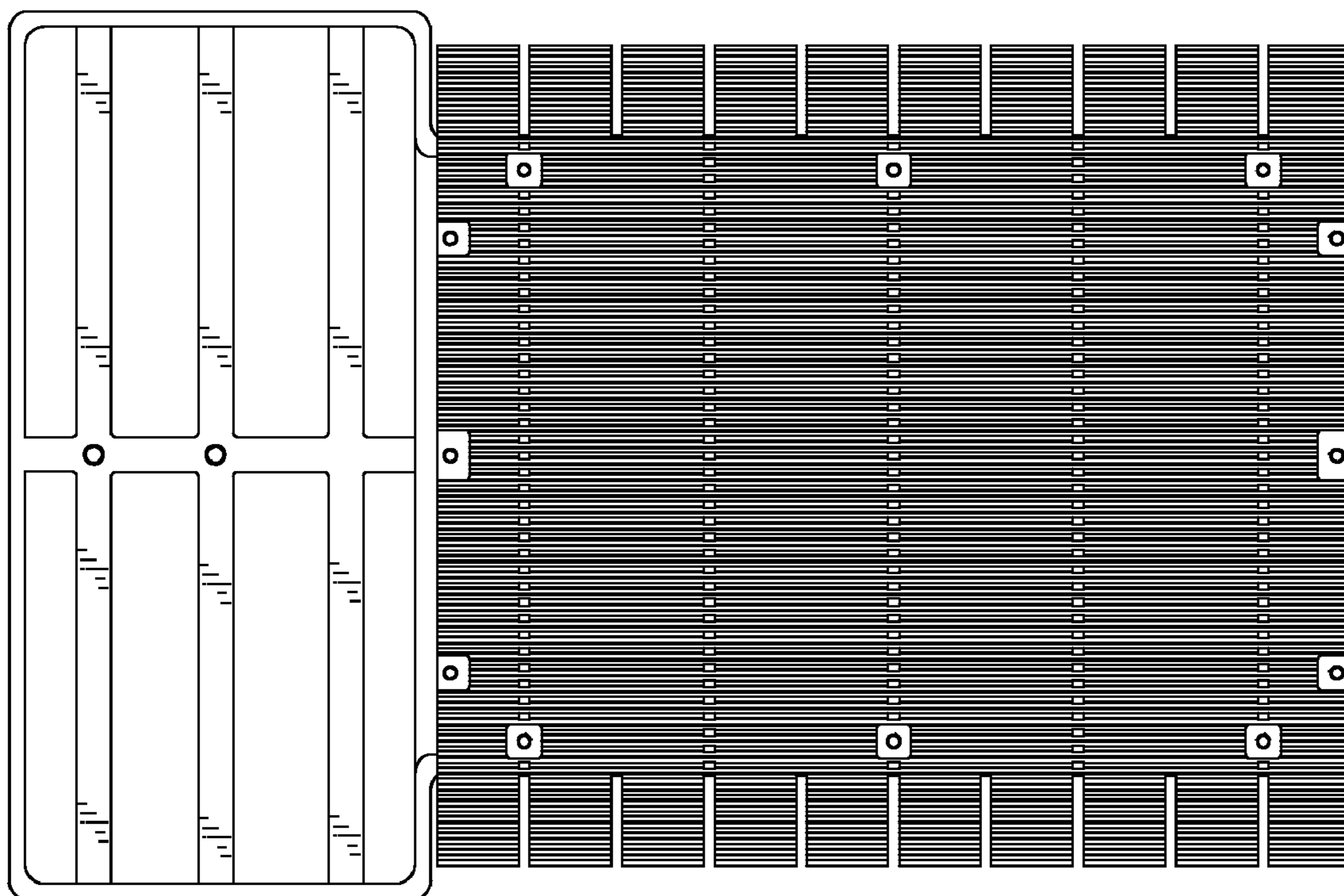


FIG. 3

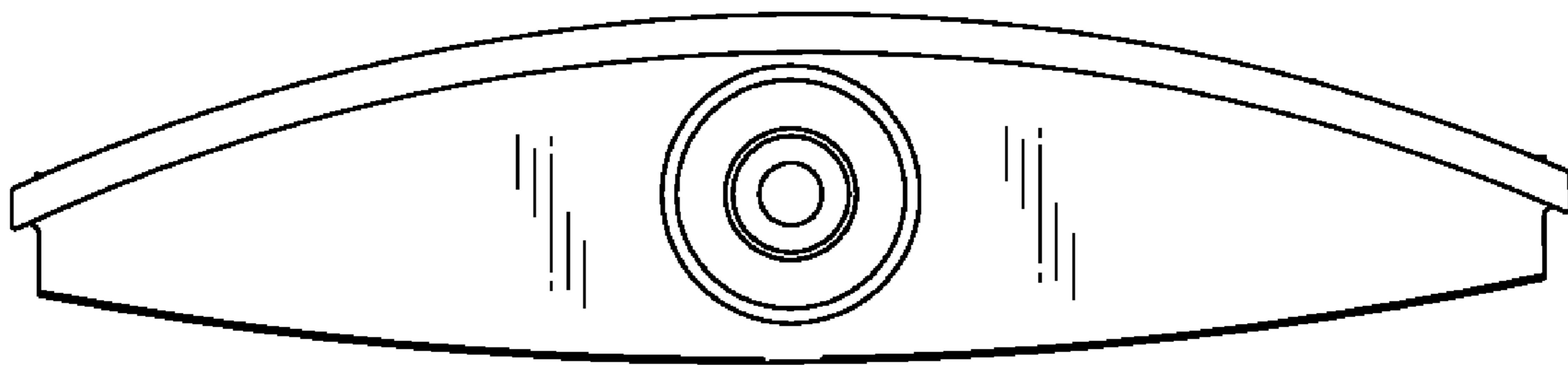


FIG. 4

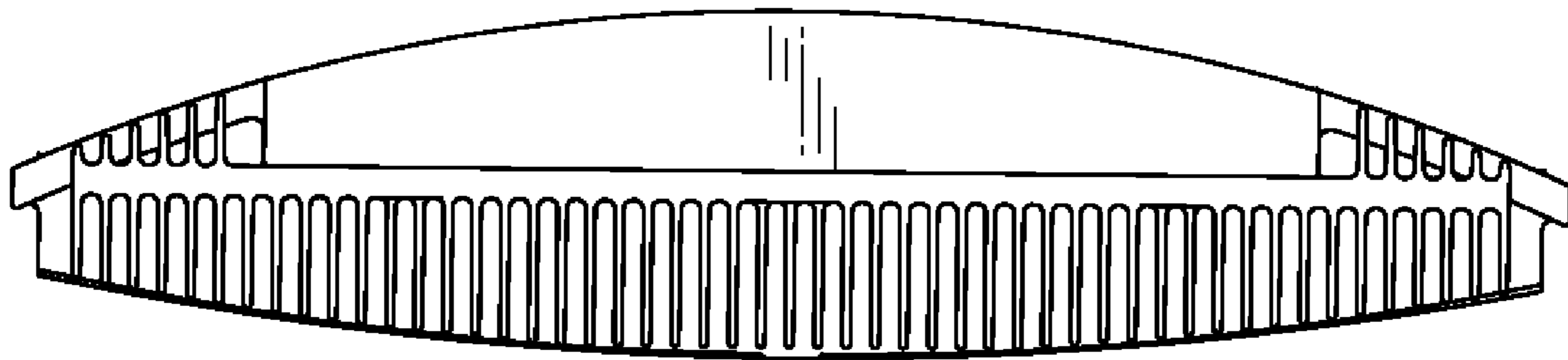


FIG. 5

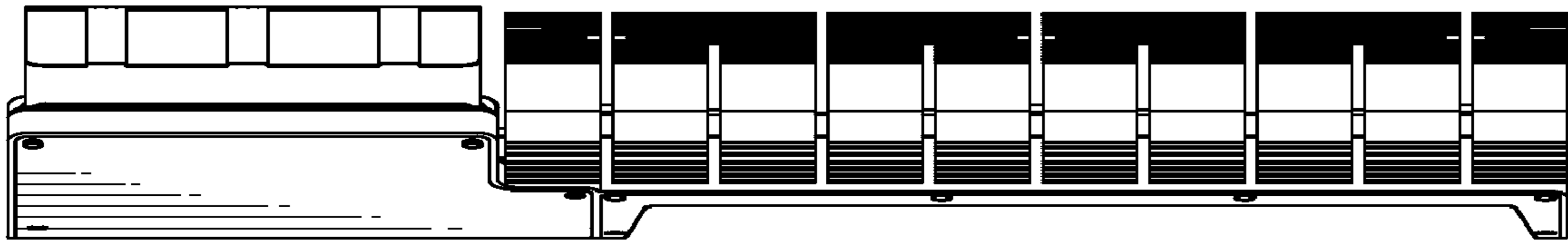


FIG. 6

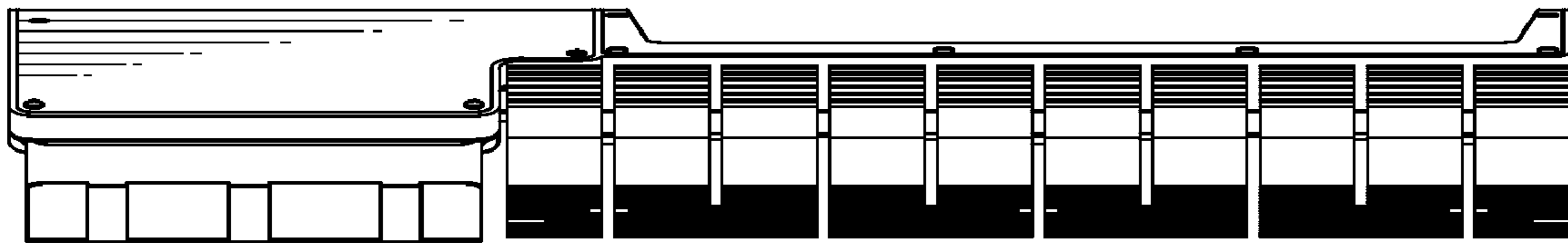


FIG. 7