

US00D577454S

(12) **United States Design Patent**  
**Maxik et al.**

(10) **Patent No.:** **US D577,454 S**

(45) **Date of Patent:** **\*\* Sep. 23, 2008**

(54) **LOW-BAY LIGHT FIXTURE**

(75) Inventors: **Fredric S. Maxik**, Indialantic, FL (US);  
**Carroll Wood Smith**, Weston, FL (US)

(73) Assignee: **Lighting Science Group Corporation**,  
Dallas, TX (US)

(\*\*) Term: **14 Years**

(21) Appl. No.: **29/289,299**

(22) Filed: **Jul. 13, 2007**

(51) **LOC (8) Cl.** ..... **26-05**

(52) **U.S. Cl.** ..... **D26/63**

(58) **Field of Classification Search** ..... D26/60–66,  
D26/72, 75, 85–89; 362/147, 148, 364–366,  
362/231, 280, 283, 284, 285, 374, 375, 811  
See application file for complete search history.

(56) **References Cited**

**U.S. PATENT DOCUMENTS**

|              |         |                   |        |
|--------------|---------|-------------------|--------|
| 2,593,513 A  | 4/1952  | Jones             |        |
| D232,376 S * | 8/1974  | Yahraus           | D26/24 |
| D255,234 S   | 6/1980  | Wellward et al.   |        |
| D326,537 S   | 5/1992  | Gattari           |        |
| D329,239 S   | 9/1992  | Hahn              |        |
| D331,638 S   | 12/1992 | Vamberszky et al. |        |
| D389,597 S   | 1/1998  | Gismondi          |        |
| 6,179,451 B1 | 1/2001  | Bodine et al.     |        |
| D456,931 S * | 5/2002  | Shimada           | D26/85 |
| D469,212 S   | 1/2003  | Chin              |        |
| D499,505 S * | 12/2004 | Benensohn         | D26/89 |

|              |         |              |         |
|--------------|---------|--------------|---------|
| D510,151 S   | 9/2005  | Rashidi      |         |
| D511,020 S   | 10/2005 | Egawa et al. |         |
| D514,732 S * | 2/2006  | Benensohn    | D26/89  |
| D539,944 S * | 4/2007  | Egawa et al. | D26/24  |
| D542,963 S * | 5/2007  | Zucker       | D26/121 |
| D551,379 S   | 9/2007  | Maxik        |         |

\* cited by examiner

*Primary Examiner*—Cathron Brooks

*Assistant Examiner*—Barbara Fox

(74) *Attorney, Agent, or Firm*—Haynes and Boone, LLP

(57) **CLAIM**

The ornamental design for a low-bay light fixture, as shown and described.

**DESCRIPTION**

FIG. 1 is a bottom perspective view of a low-bay light fixture showing our design;

FIG. 2 is a top perspective view thereof;

FIG. 3 is a right side elevational view thereof, the left side being a mirror image of the right side;

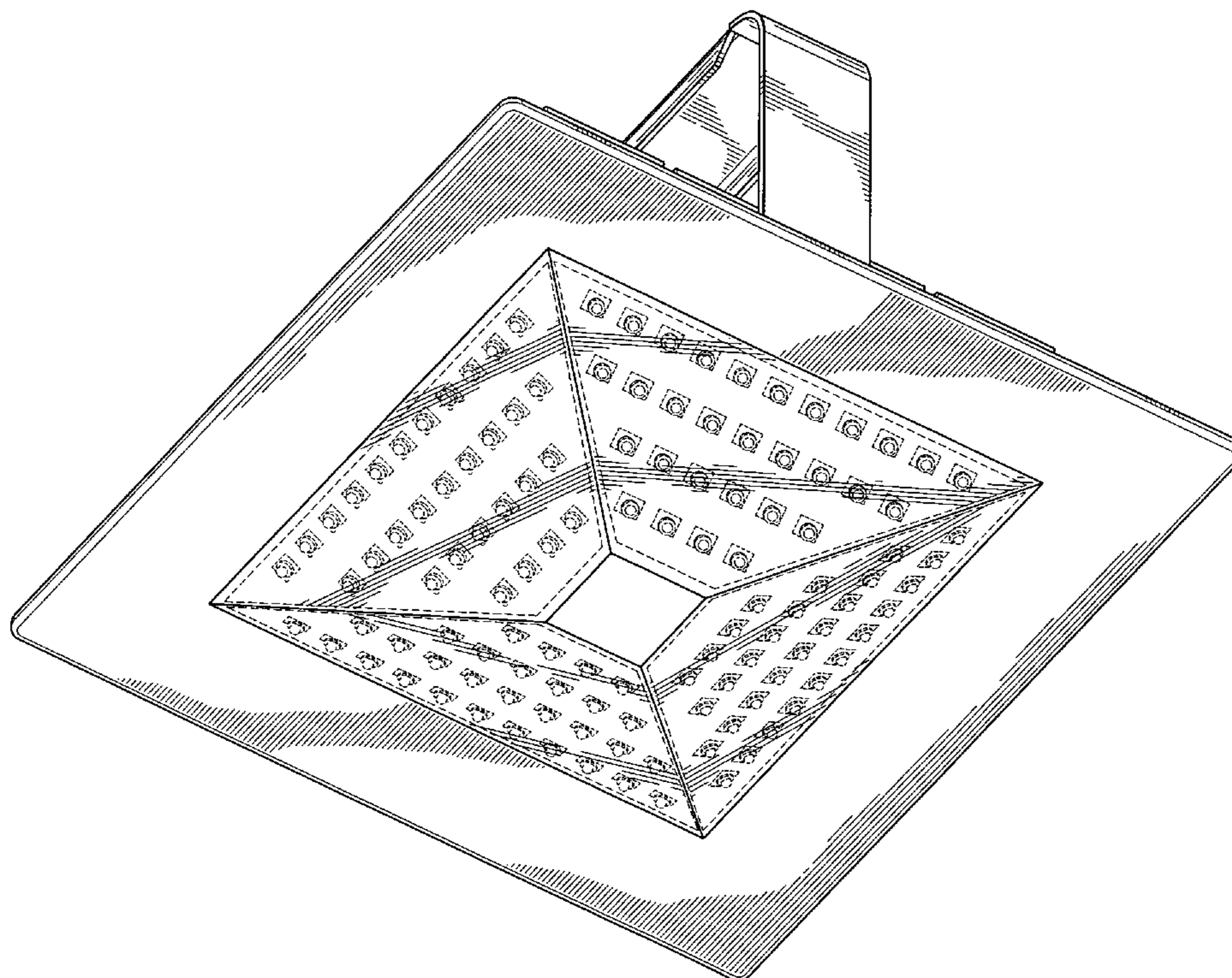
FIG. 4 is a front elevational view thereof, the rear being a mirror image of the front;

FIG. 5 is a bottom plan view thereof; and,

FIG. 6 is a top plan view thereof.

The broken lines in the drawings are for the purpose of illustrating portions of the low-bay lighting fixture lighting fixture, and form no part of the claimed design.

**1 Claim, 5 Drawing Sheets**



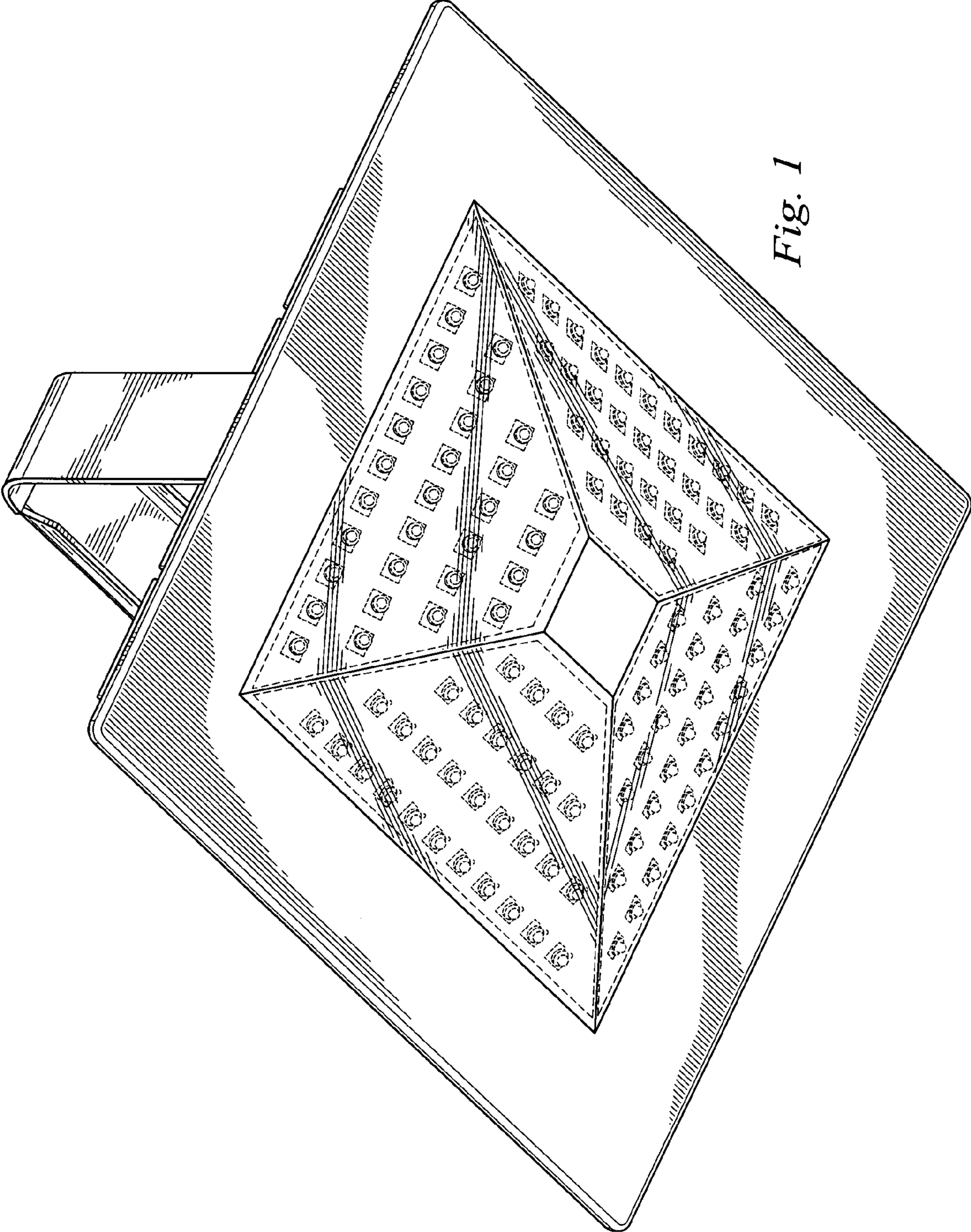


Fig. 1

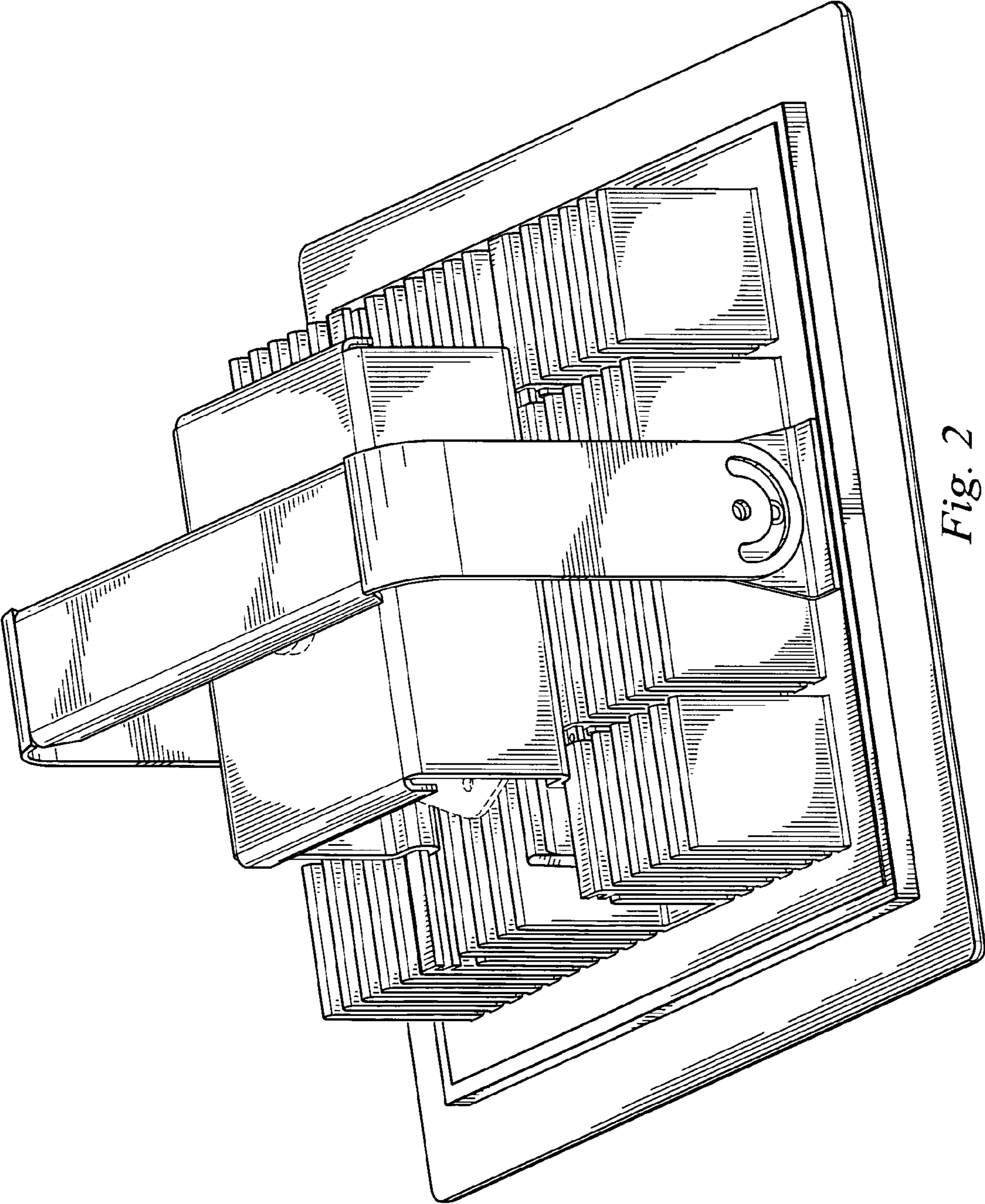


Fig. 2

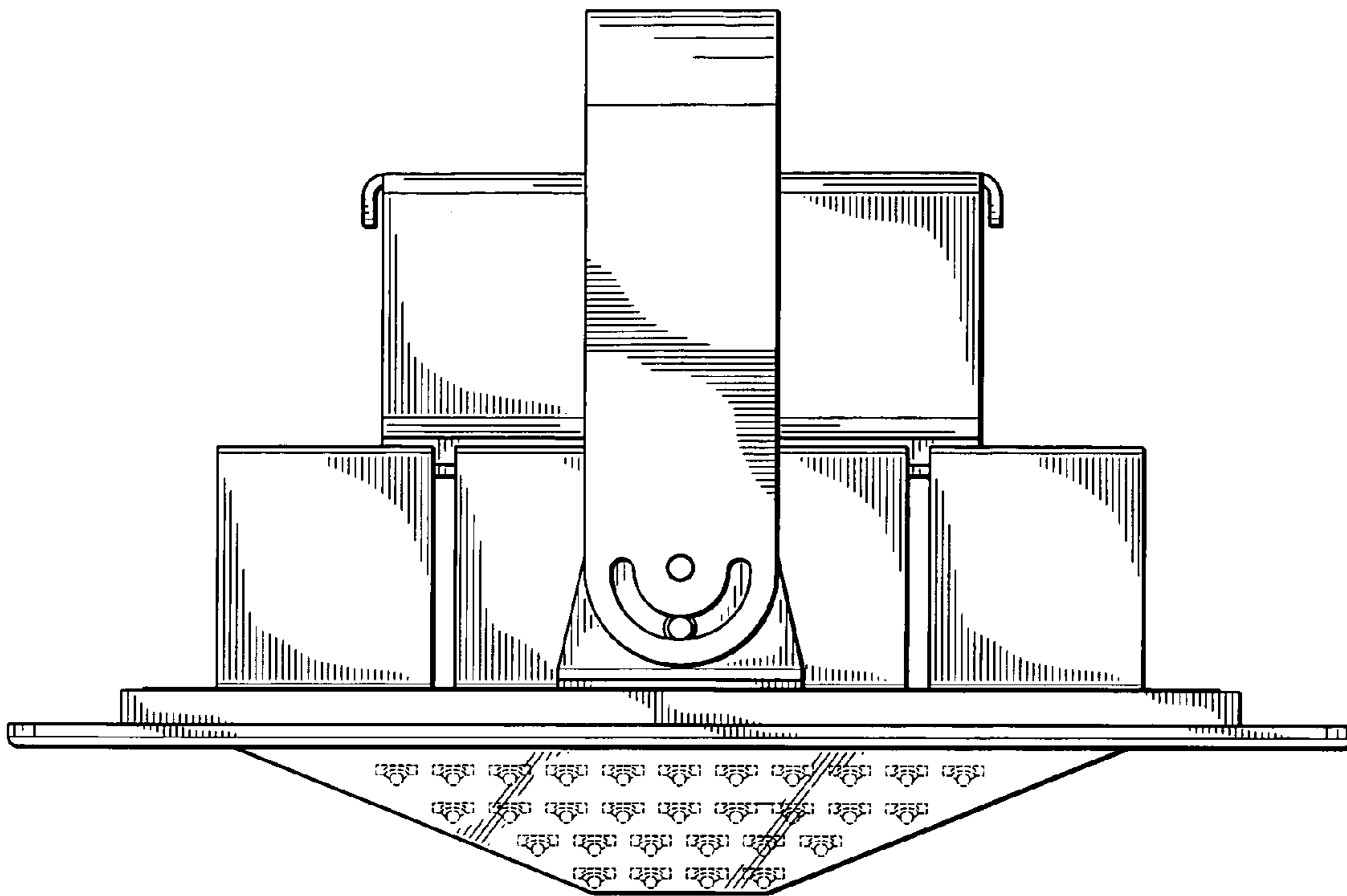


Fig. 3

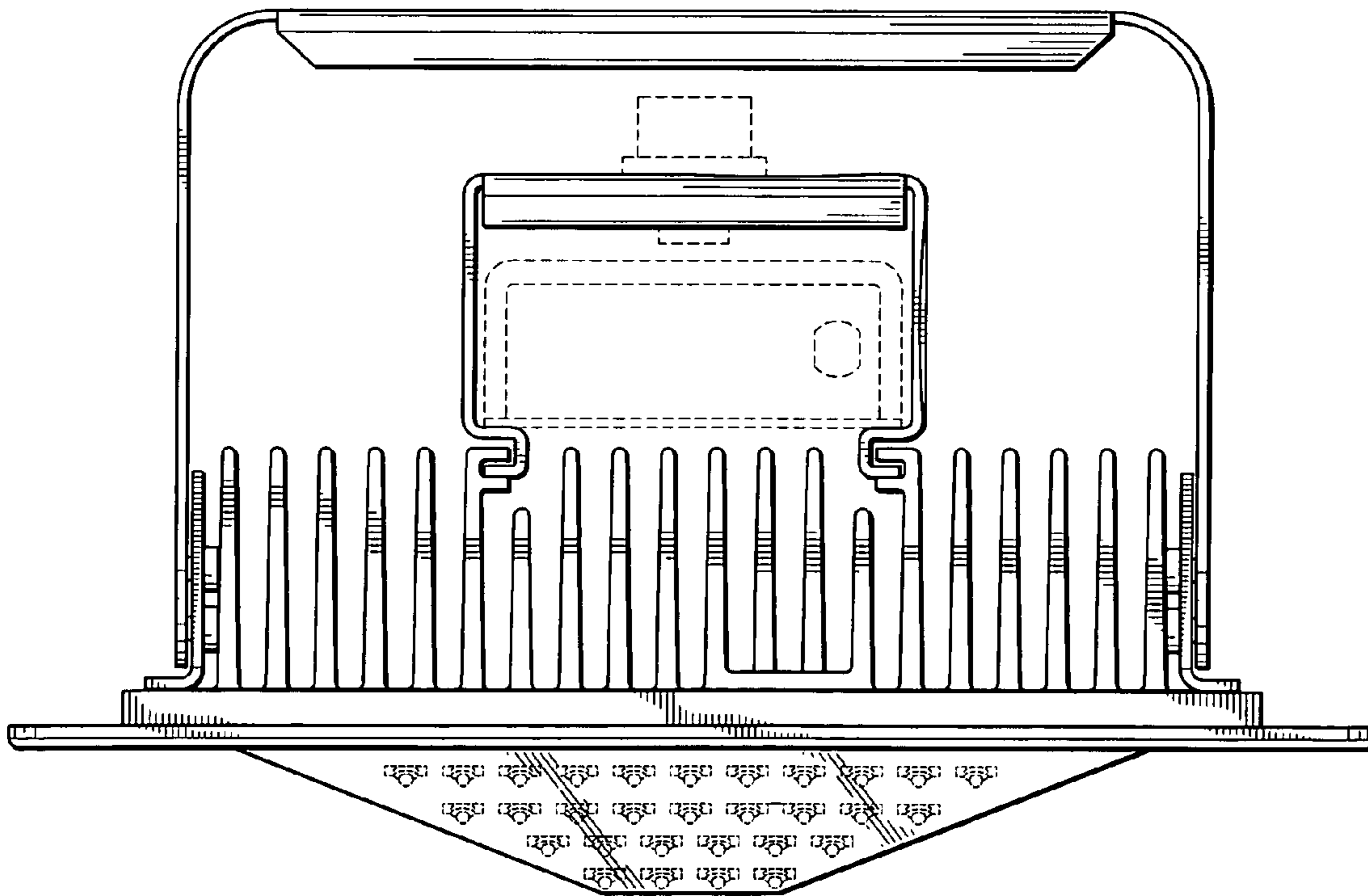


Fig. 4

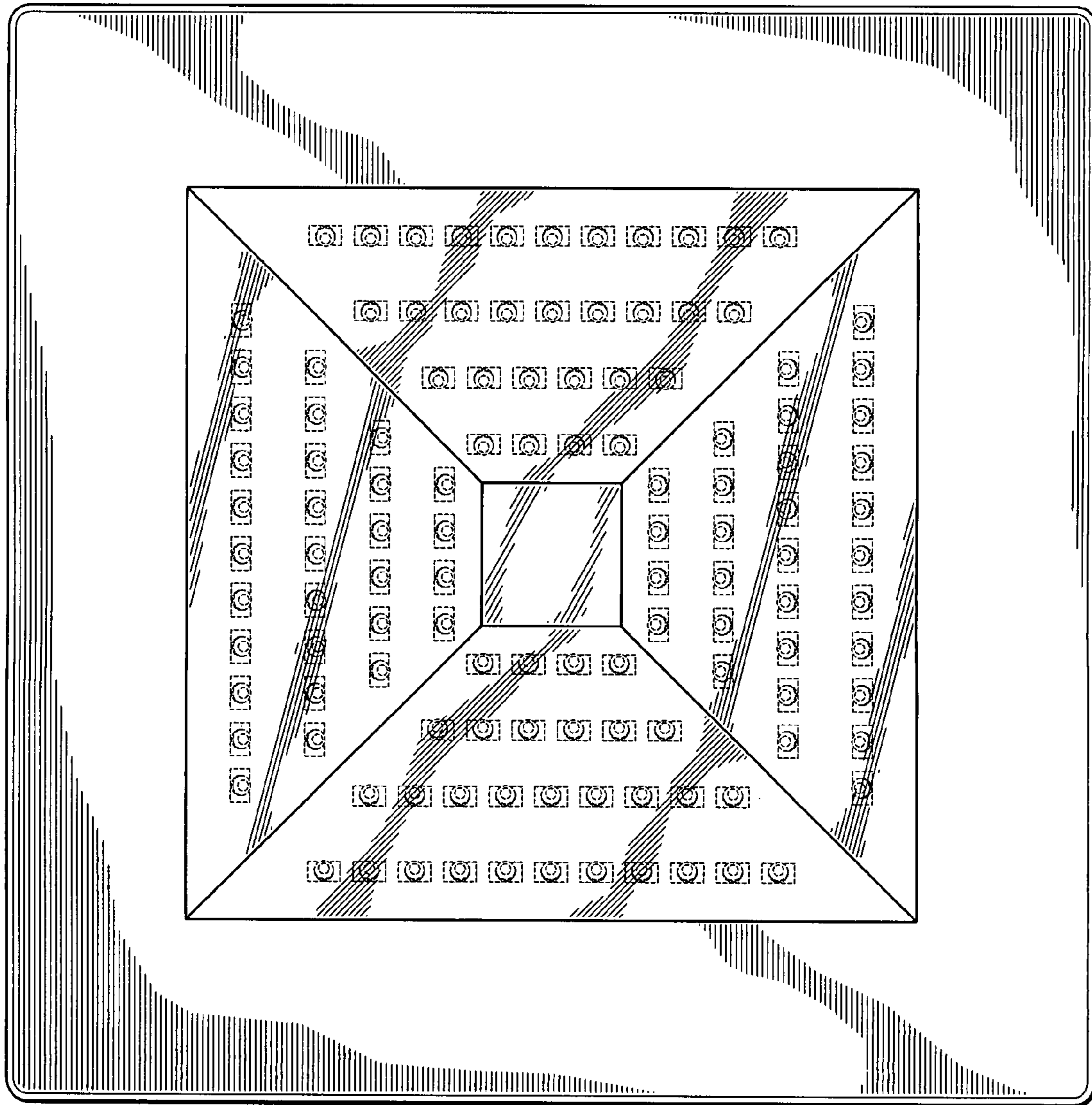
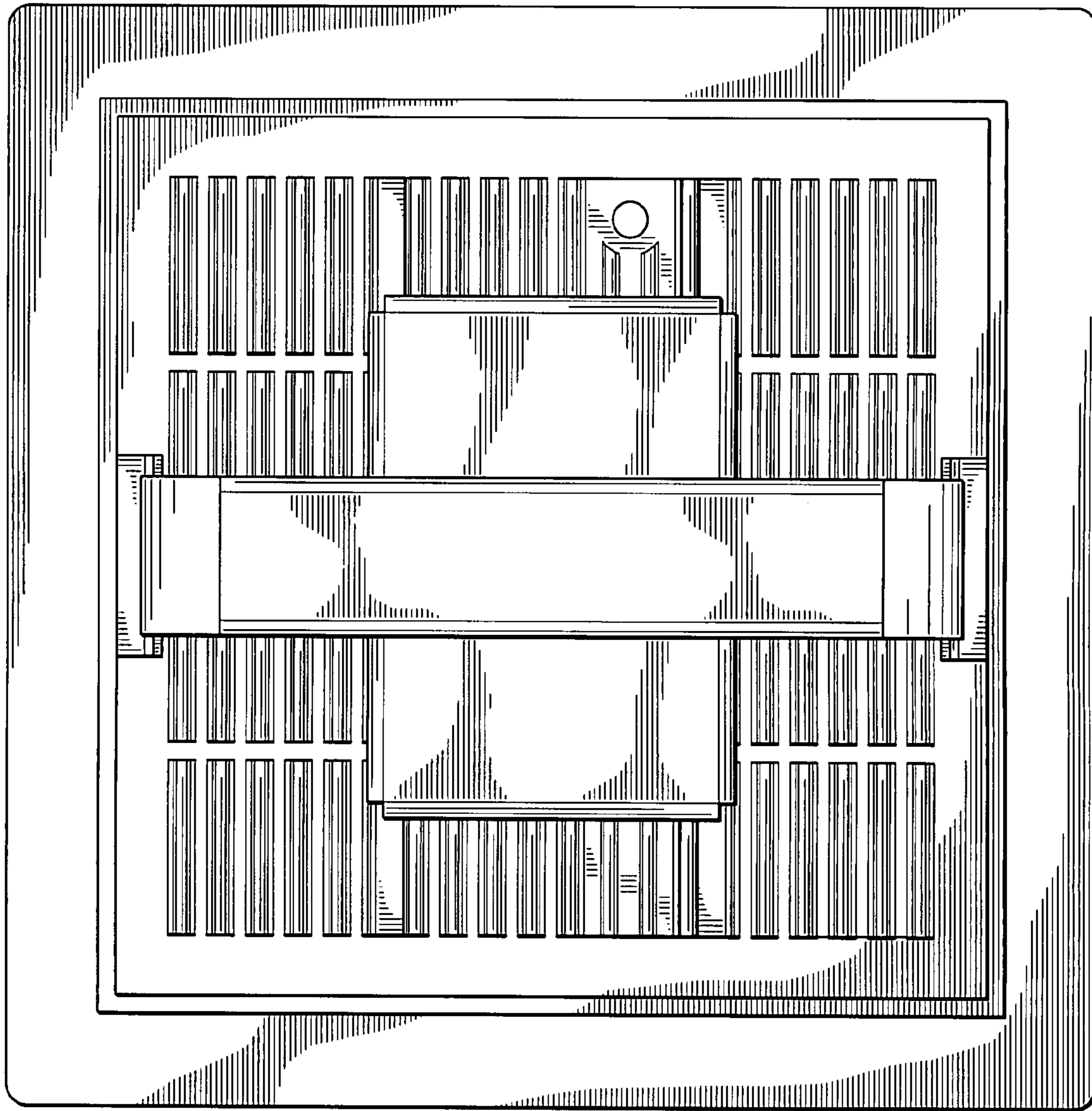


Fig. 5



*Fig. 6*