



US00D577453S

(12) **United States Design Patent**
Metlen

(10) **Patent No.:** **US D577,453 S**

(45) **Date of Patent:** **** Sep. 23, 2008**

(54) **TRACK LIGHT**

(75) **Inventor:** **Todd Metlen**, Ojai, CA (US)

(73) **Assignee:** **Journee Lighting, Inc.**, Westlake Village, CA (US)

(**) **Term:** **14 Years**

(21) **Appl. No.:** **29/260,689**

(22) **Filed:** **May 30, 2006**

(51) **LOC (8) Cl.** **26-05**

(52) **U.S. Cl.** **D26/63**

(58) **Field of Classification Search** D26/61-66,
D26/72; 362/101, 147, 267, 269, 270, 277,
362/275, 278, 282, 285, 287, 288, 290, 404,
362/410, 413, 418, 419, 427, 428, 429, 430,
362/640, 647, 648, 652, 653, 655

See application file for complete search history.

(56) **References Cited**

U.S. PATENT DOCUMENTS

D152,113	S	*	12/1948	Mehr	D24/210
D217,096	S	*	4/1970	Birns	D26/63
4,091,444	A	*	5/1978	Mori	362/374
4,453,203	A	*	6/1984	Pate	362/345
D437,449	S	*	2/2001	Soller	D26/119
D446,592	S	*	8/2001	Leen	D26/63
D457,673	S	*	5/2002	Martinson et al.	D26/63
D464,455	S	*	10/2002	Fong et al.	D26/63

D476,439	S	*	6/2003	O'Rourke	D26/63
D482,476	S	*	11/2003	Kwong	D26/63
D504,967	S	*	5/2005	Kung	D26/39
7,097,332	B2	*	8/2006	Vamberi	362/405
2002/0067613	A1	*	6/2002	Grove	362/267

FOREIGN PATENT DOCUMENTS

WO DM/057383 * 9/2001

* cited by examiner

Primary Examiner—Clare E Heflin

Assistant Examiner—Barbara Fox

(74) *Attorney, Agent, or Firm*—Philip T. Virga

(57) **CLAIM**

The ornamental design for a track light, as shown and described.

DESCRIPTION

FIG. 1 is a perspective view of a track light showing my new design;

FIG. 2 is a side view thereof;

FIG. 3 is a side view thereof;

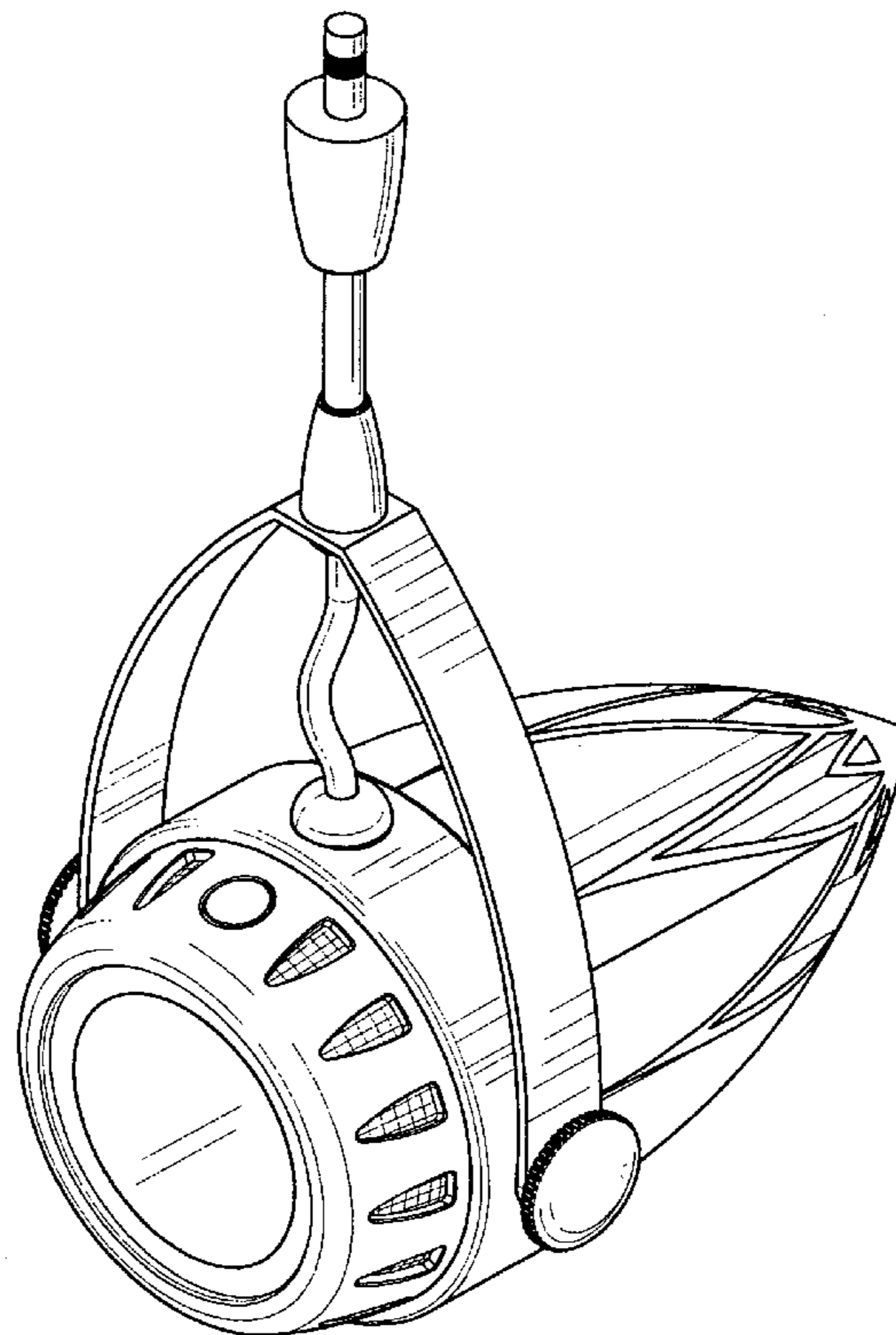
FIG. 4 is a front end view thereof;

FIG. 5 is a back end view thereof;

FIG. 6 is a top view thereof; and,

FIG. 7 is a bottom view thereof.

1 Claim, 4 Drawing Sheets



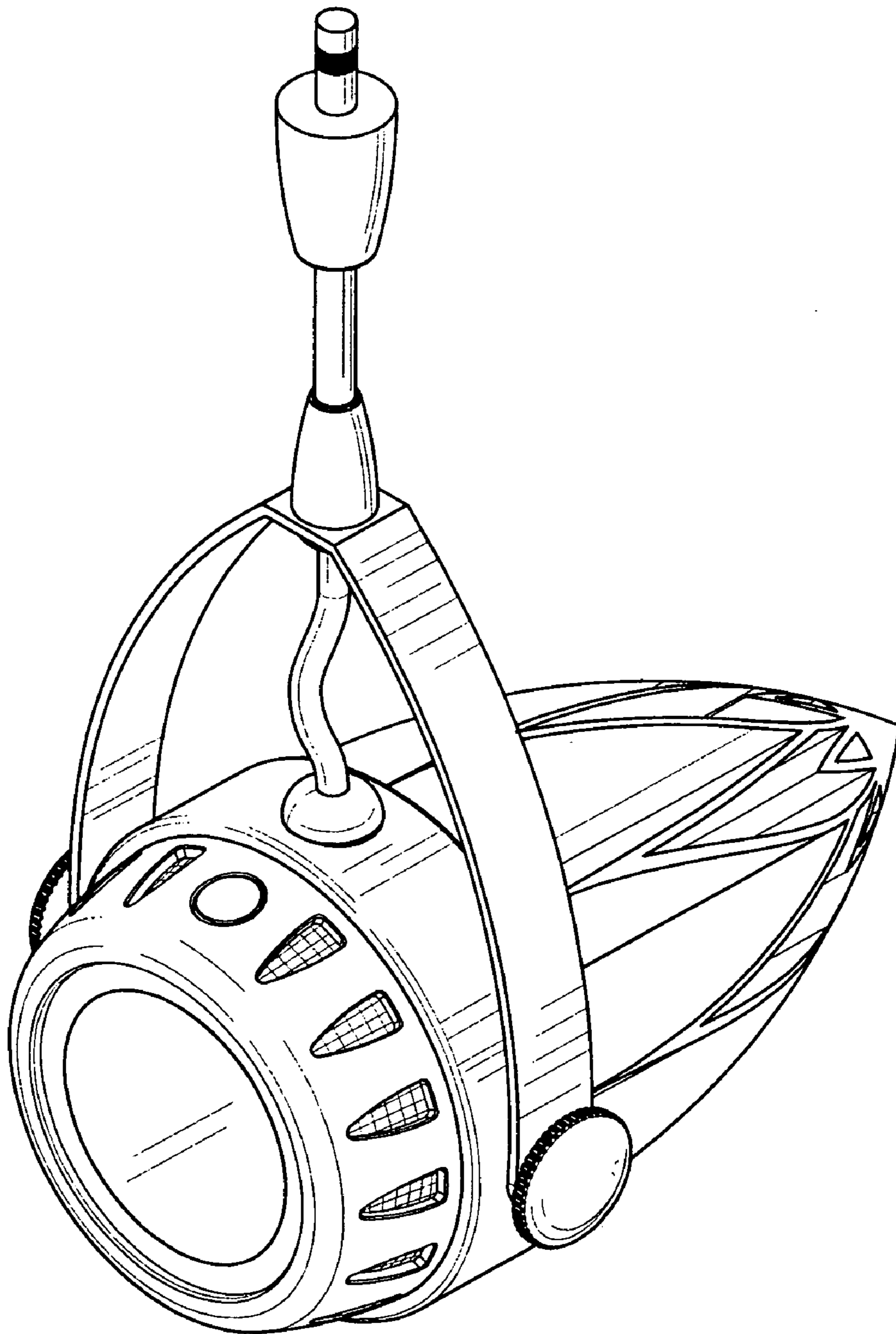


FIG. 1

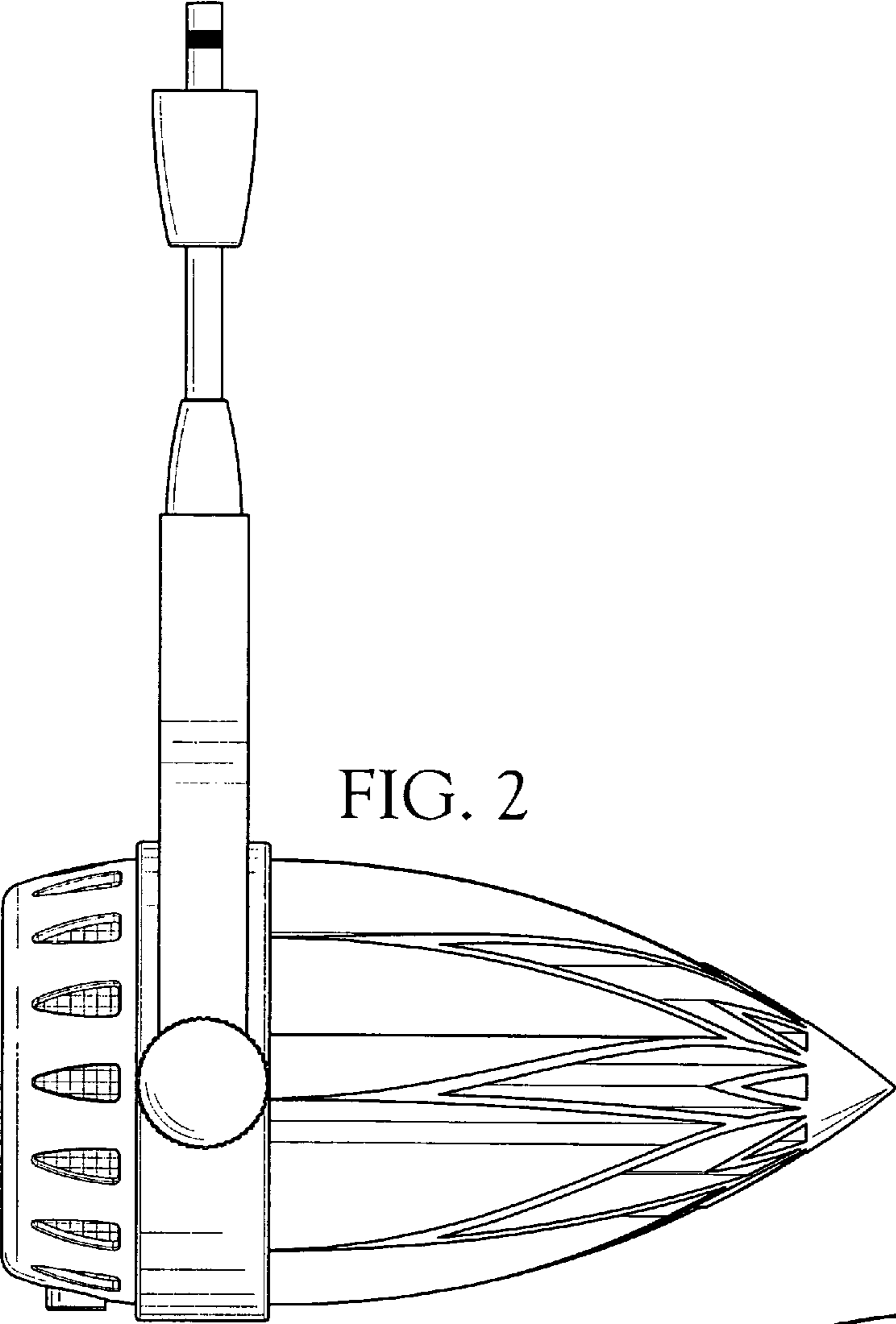


FIG. 2

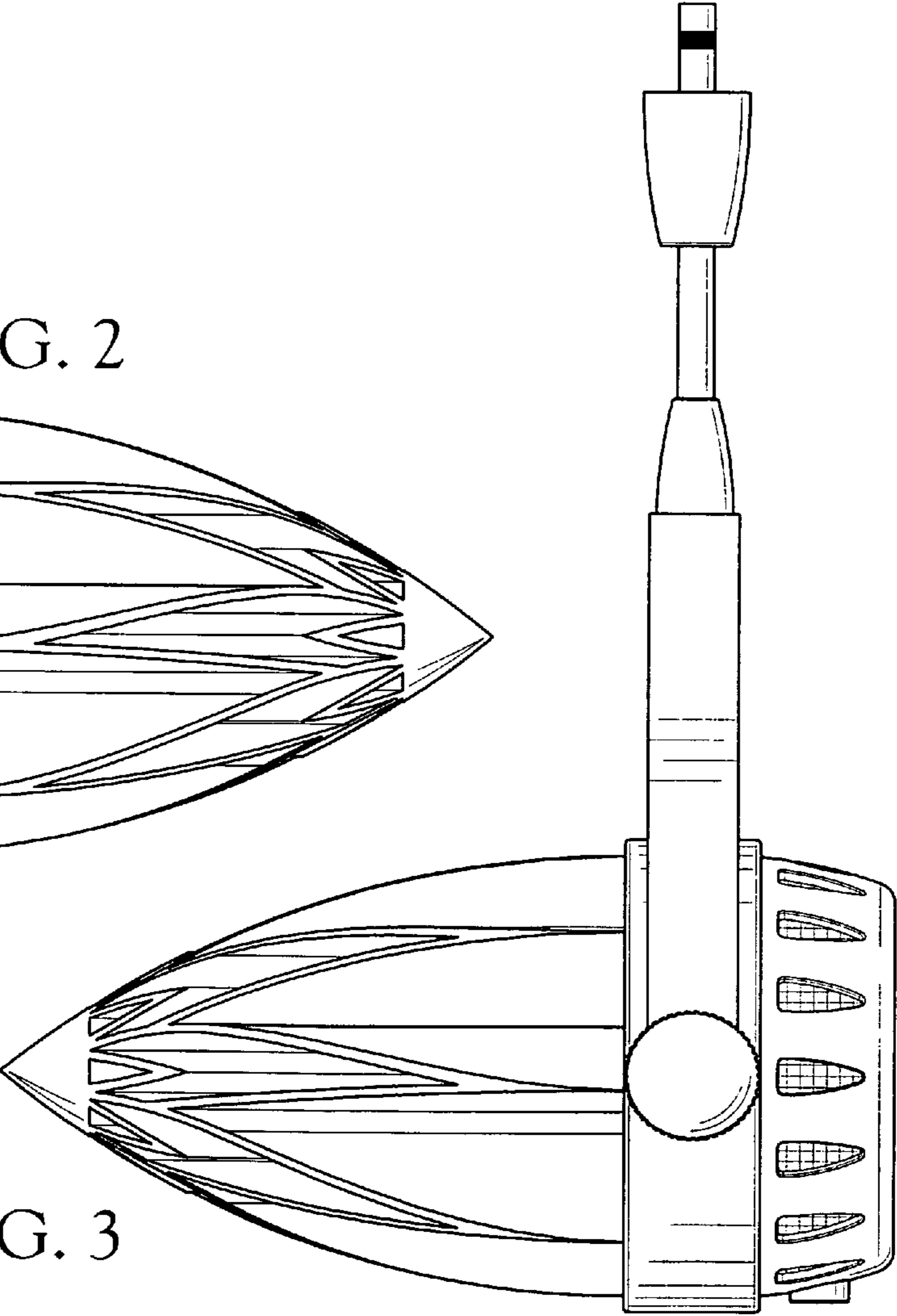


FIG. 3

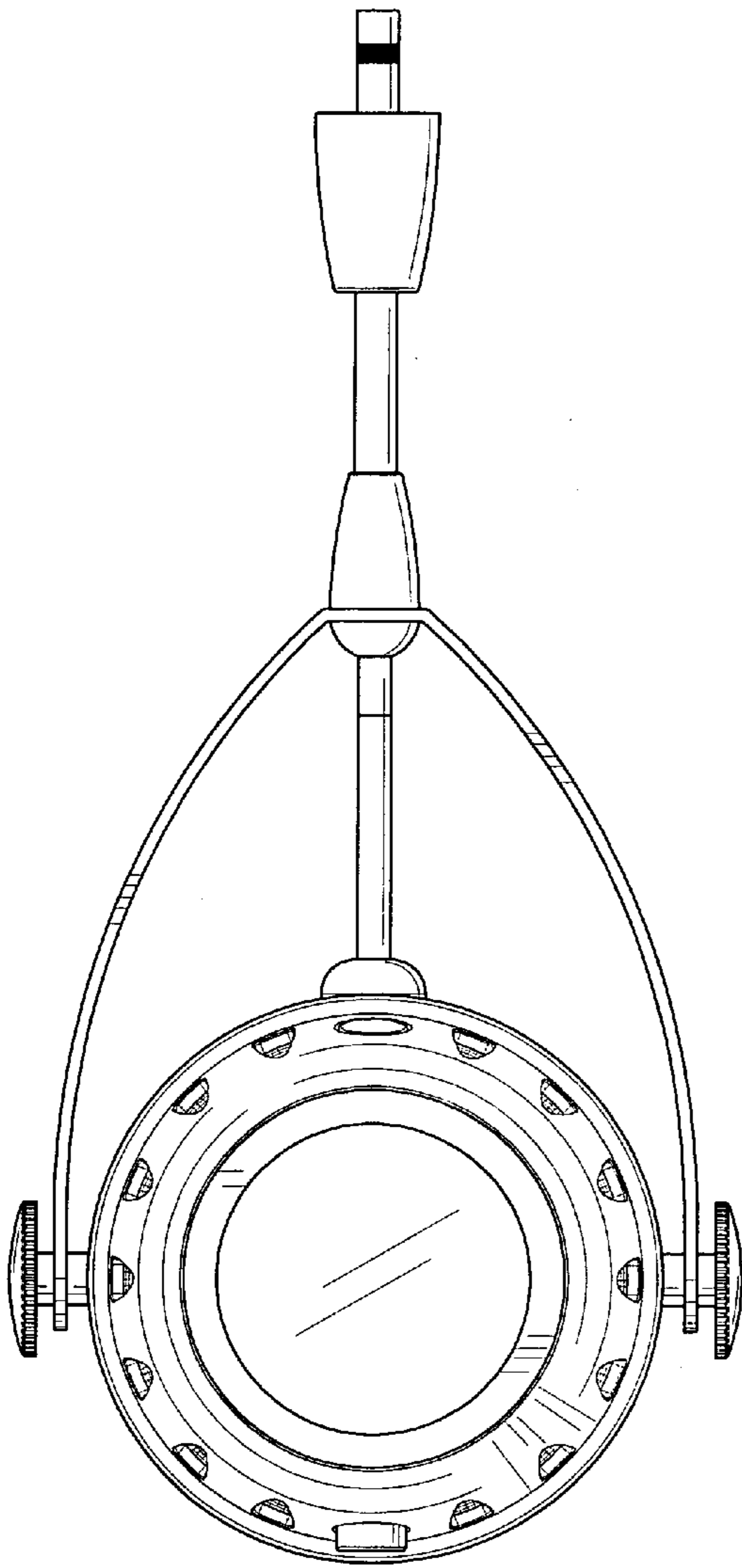


FIG. 4

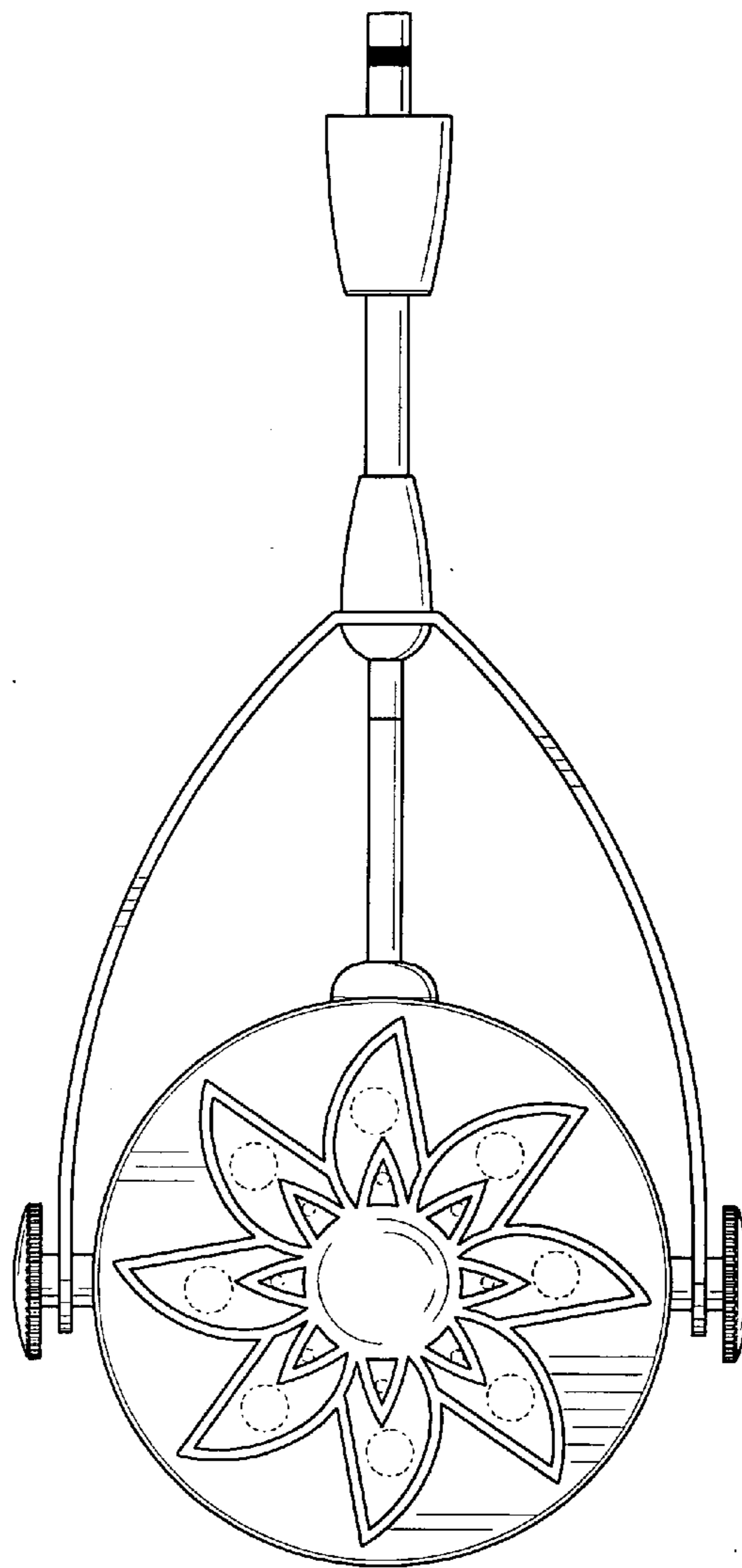


FIG. 5

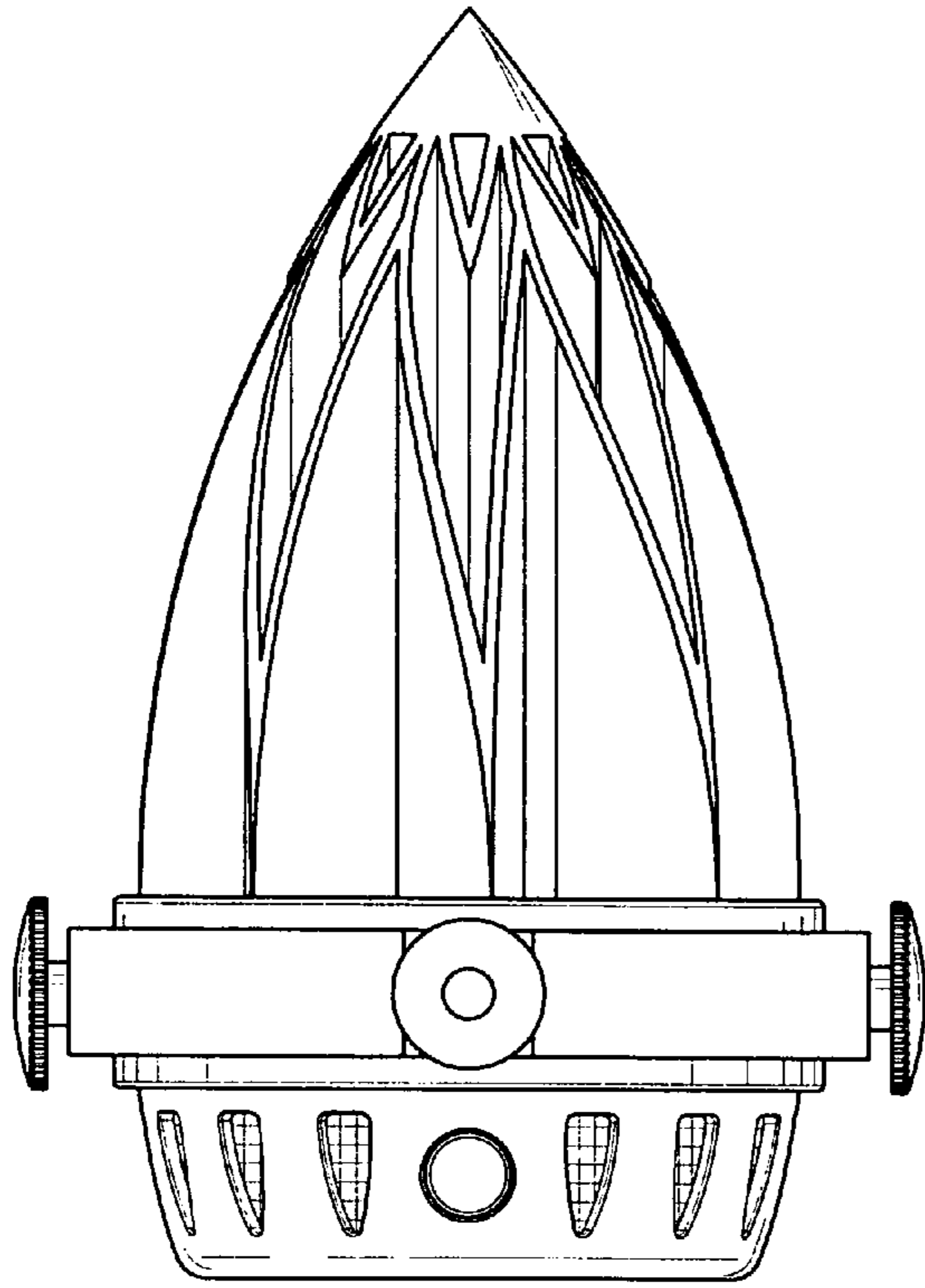


FIG. 6

FIG. 7

