



US00D577448S

(12) **United States Design Patent**  
**Chen**

(10) **Patent No.:** **US D577,448 S**

(45) **Date of Patent:** **\*\* Sep. 23, 2008**

(54) **VEHICLE HEADLIGHT**

D565,765 S \* 4/2008 Zimmermann et al. .... D26/28

(76) Inventor: **Danny Chen**, No. 204, Syueshih Rd.,  
North District, Taichung City 40454  
(TW)

\* cited by examiner

*Primary Examiner*—Marcus A. Jackson  
(74) *Attorney, Agent, or Firm*—Banger Shia

(\*\*) Term: **14 Years**

(57) **CLAIM**

(21) Appl. No.: **29/302,742**

The ornamental design for a vehicle headlight, as shown and described.

(22) Filed: **Jan. 23, 2008**

(51) **LOC (8) Cl.** ..... **26-06**

(52) **U.S. Cl.** ..... **D26/28**

(58) **Field of Classification Search** ..... D26/28-36;  
362/459-468, 475-478, 485-487

See application file for complete search history.

**DESCRIPTION**

FIG. 1 is a perspective view of a vehicle headlight showing my new design;

FIG. 2 is a front elevational view thereof;

FIG. 3 is a rear elevational view thereof;

FIG. 4 is a left side elevational view thereof;

FIG. 5 is a right side elevational view thereof;

FIG. 6 is a top plan view thereof; and,

FIG. 7 is a bottom plan view thereof.

(56) **References Cited**

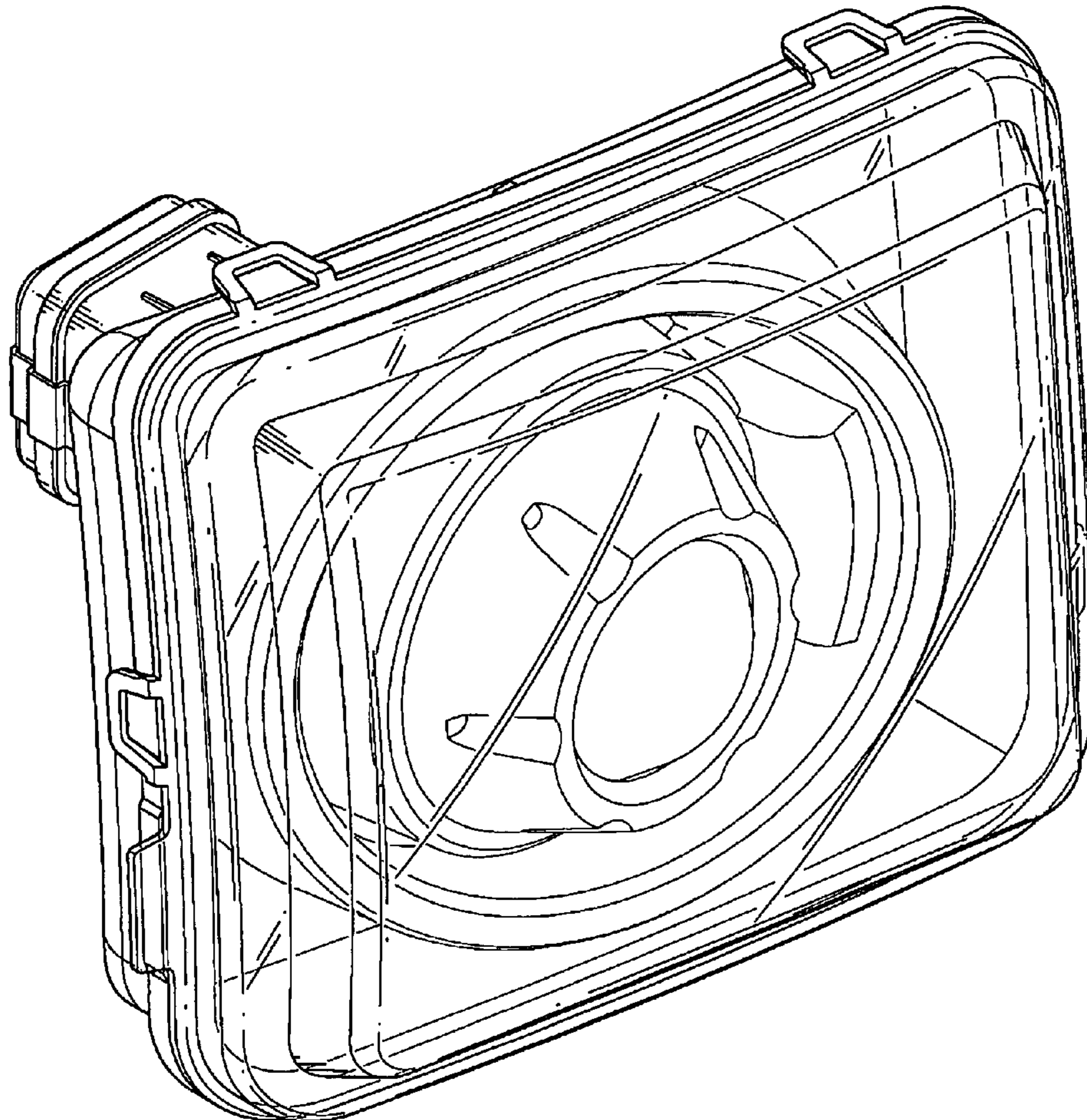
U.S. PATENT DOCUMENTS

D523,976 S \* 6/2006 Pfeiffer et al. .... D26/28

D528,680 S \* 9/2006 Oda ..... D26/28

D560,831 S \* 1/2008 Hsu ..... D26/28

**1 Claim, 7 Drawing Sheets**



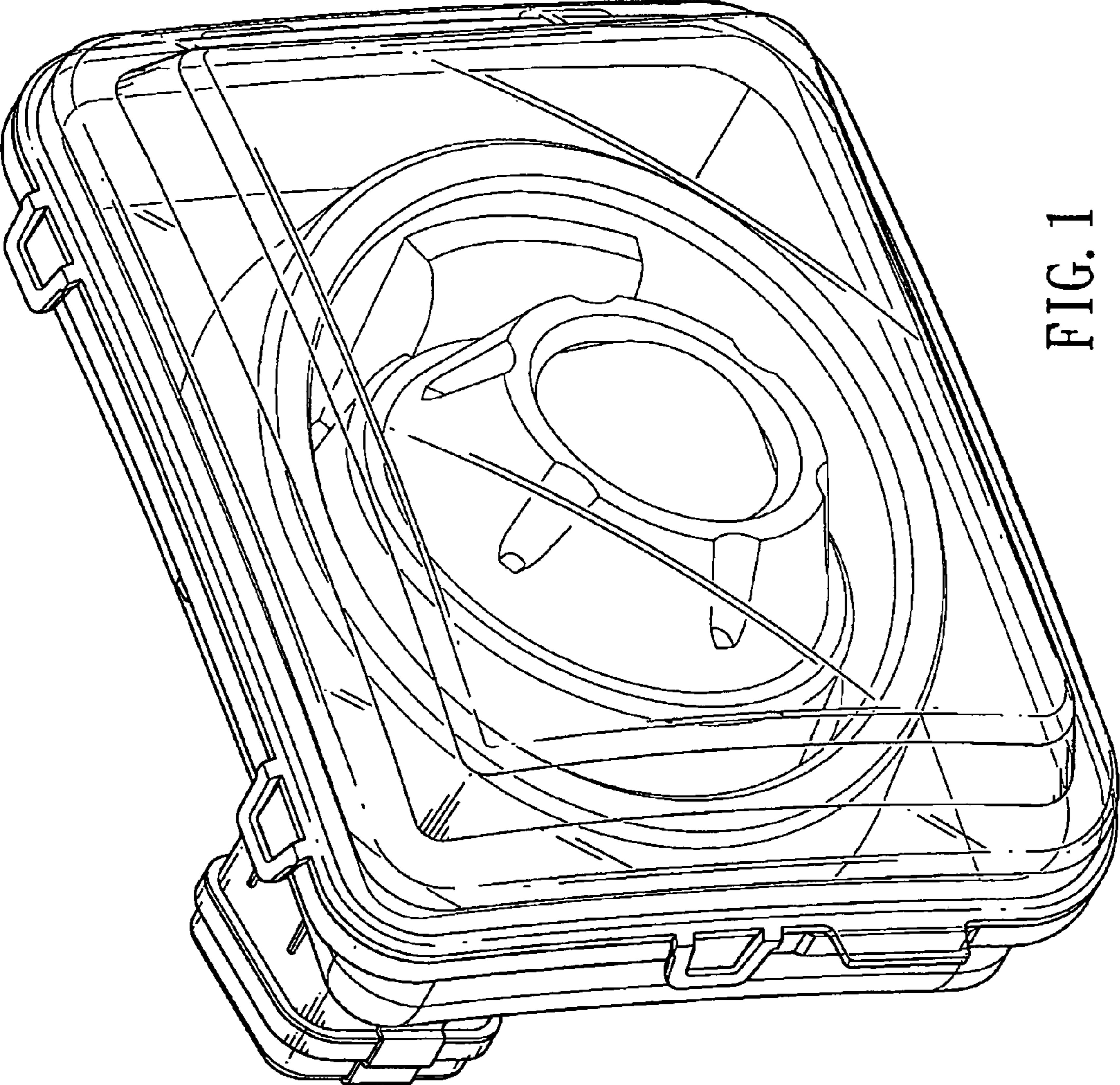


FIG. 1

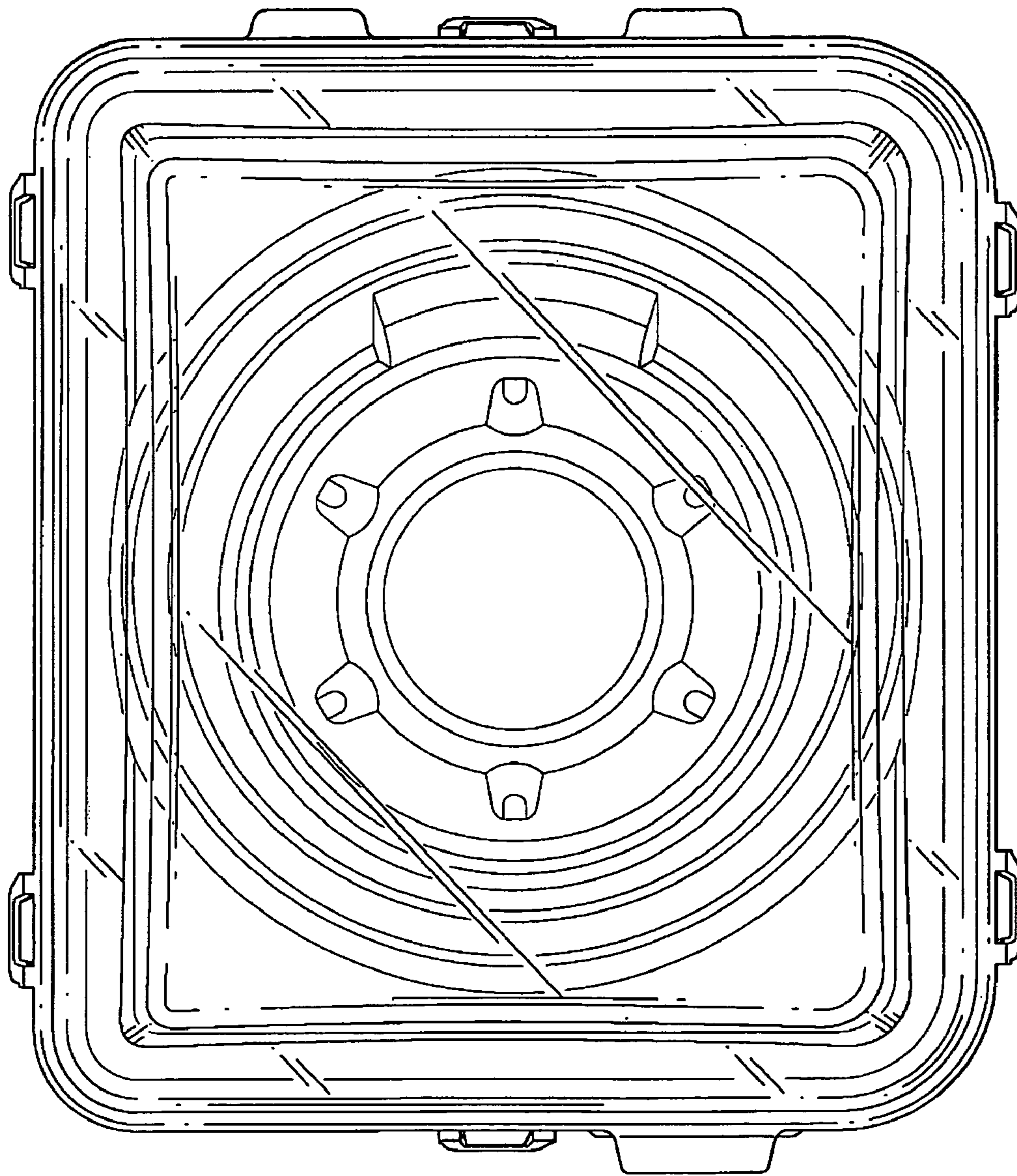


FIG. 2



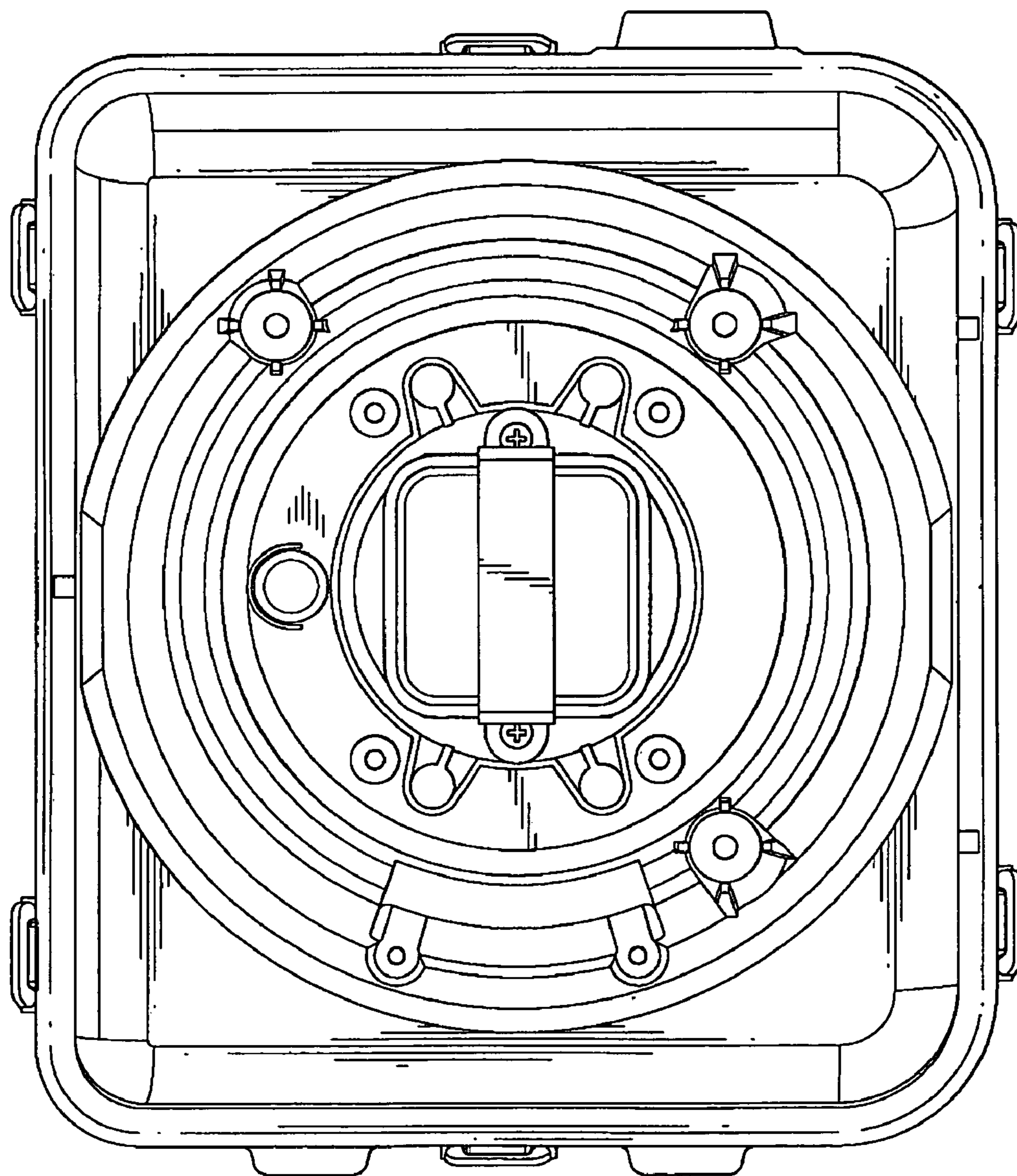


FIG. 3

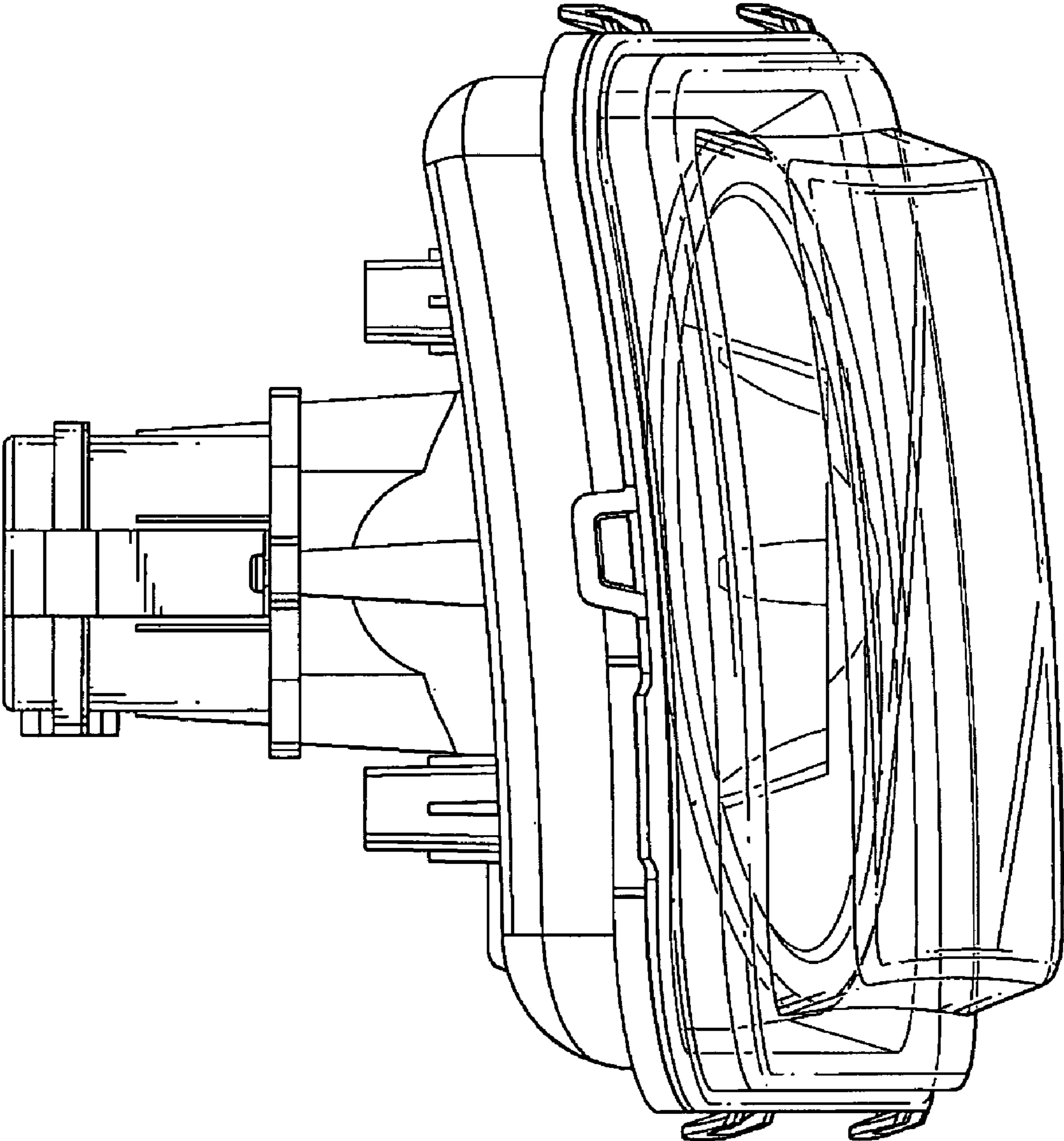


FIG. 4

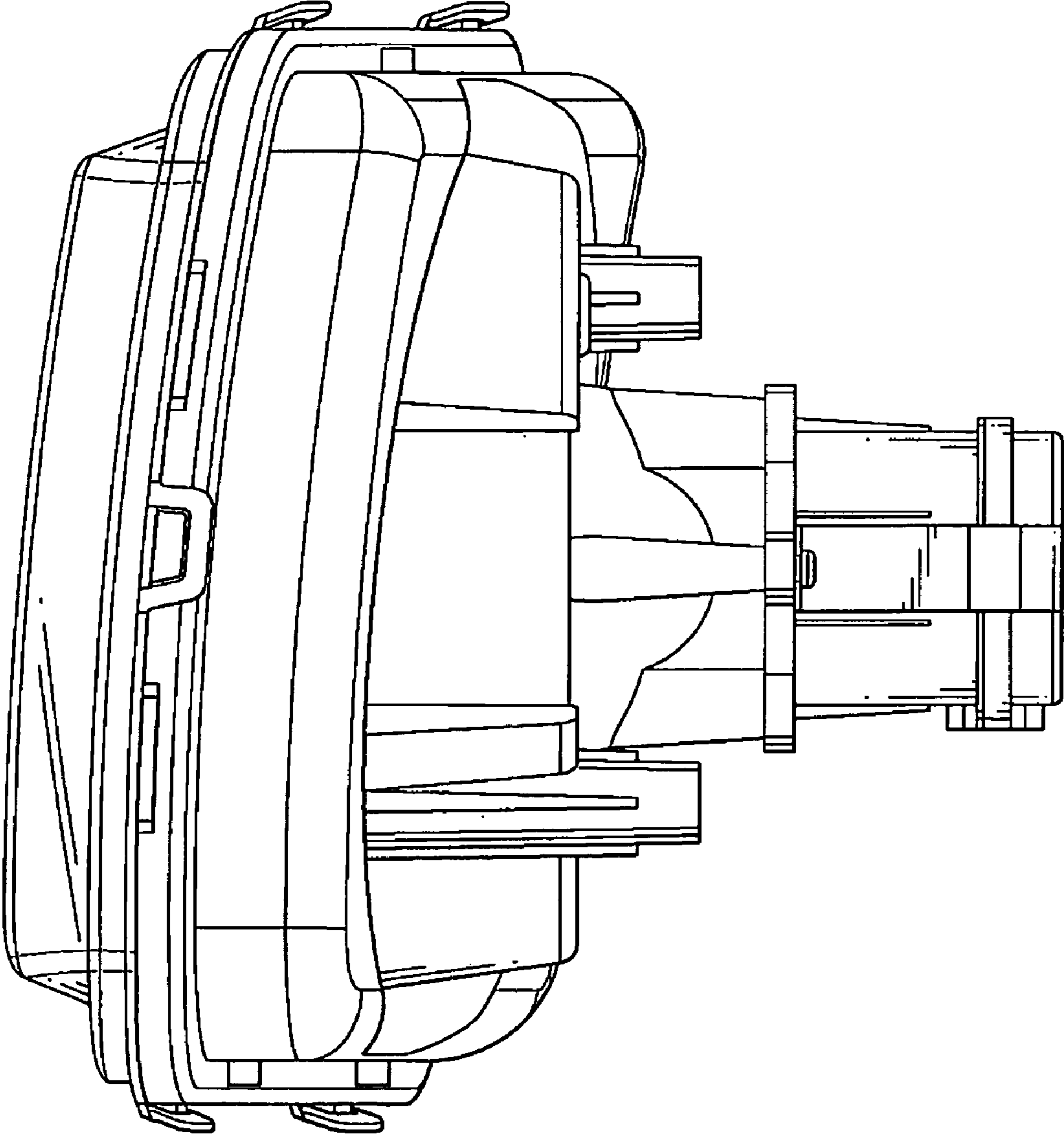


FIG. 5

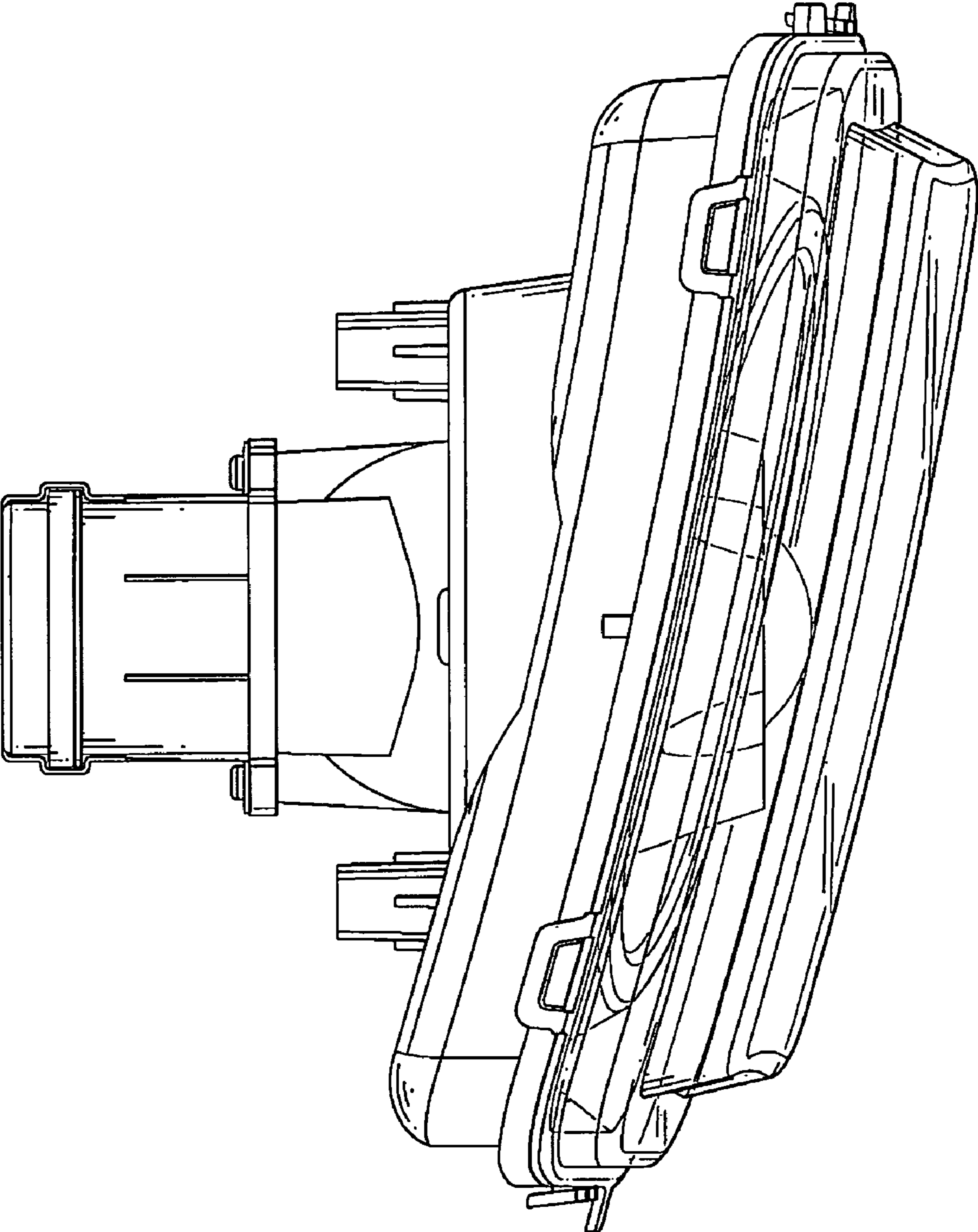


FIG. 6

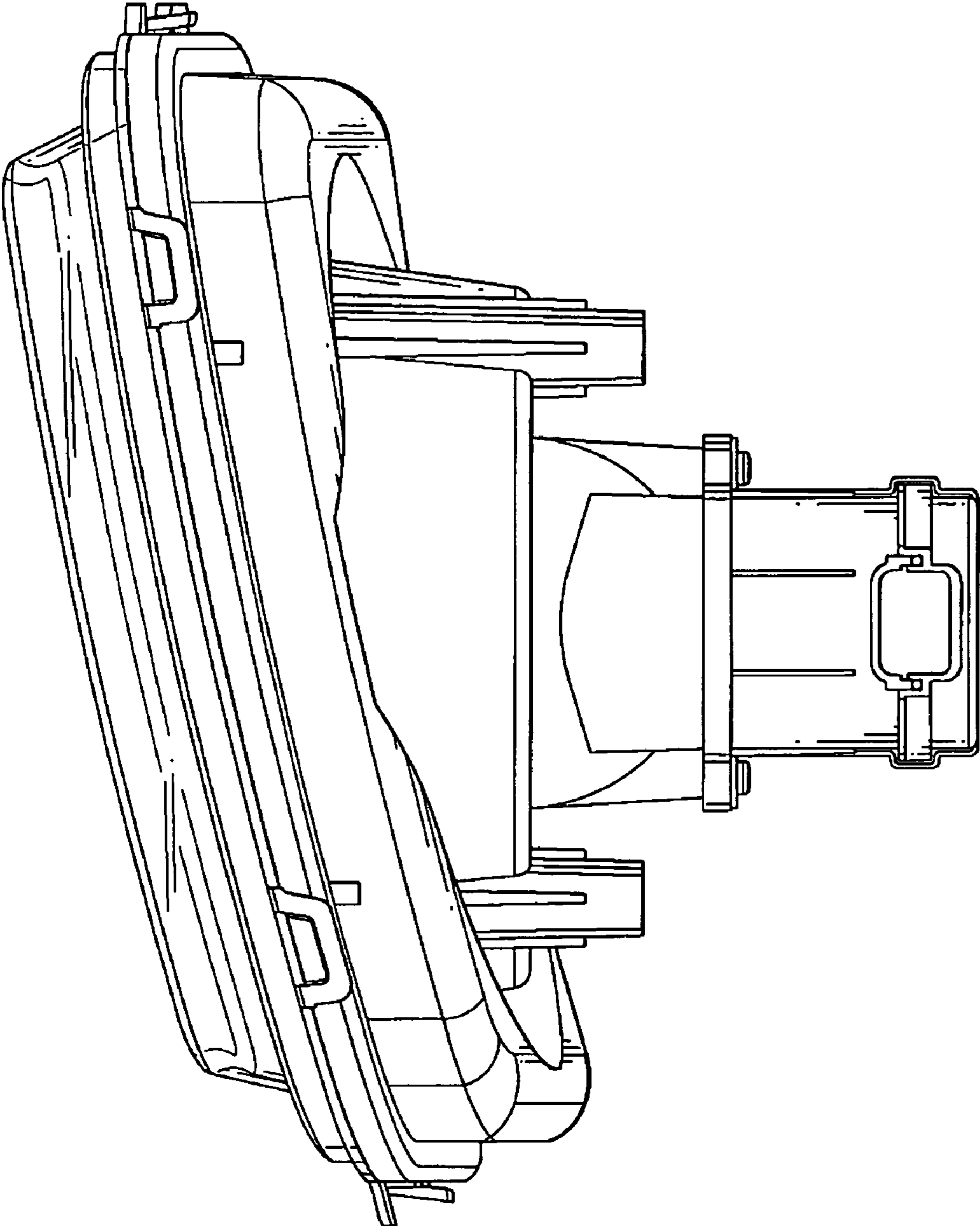


FIG. 7