



US00D577443S

(12) **United States Design Patent**  
**Parmer et al.**

(10) **Patent No.:** **US D577,443 S**

(45) **Date of Patent:** **\*\* Sep. 23, 2008**

(54) **CLINICAL SOLUTION BOTTLE PORTION**

(75) Inventors: **Jeffrey K. Parmer**, Newark, DE (US);  
**Jay M. Walters**, New London, PA (US);  
**Lawrence D. Huppman**, Newark, DE  
(US); **David R. Thompson**, Kennett  
Square, PA (US); **Jeannine M. Carrio**,  
Newark, DE (US); **Richard G.**  
**Warwick**, Newark, DE (US)

(73) Assignee: **Siemens Healthcare Diagnostics Inc.**,  
Deerfield, IL (US)

(\*\*) Term: **14 Years**

(21) Appl. No.: **29/303,745**

(22) Filed: **Feb. 15, 2008**

**Related U.S. Application Data**

(62) Division of application No. 29/243,428, filed on Nov.  
23, 2005, now Pat. No. Des. 566,290.

(51) **LOC (8) Cl.** ..... **24-02**

(52) **U.S. Cl.** ..... **D24/224**

(58) **Field of Classification Search** ..... D24/216-230,  
D24/115-117; 422/100, 102; 206/532, 539;  
D9/425-428, 520, 697, 699

See application file for complete search history.

(56) **References Cited**

**U.S. PATENT DOCUMENTS**

D225,975 S \* 1/1973 Danjczek ..... D9/520  
D257,288 S 10/1980 Pagels  
D259,213 S 5/1981 Pagels  
D260,178 S 8/1981 Pagels  
D265,587 S 7/1982 Lahay  
D265,588 S 7/1982 Lahay

D296,668 S 7/1988 Stavish  
D326,228 S 5/1992 Stratford et al.  
D332,544 S 1/1993 Seiner et al.  
D342,140 S 12/1993 Sakagami et al.  
D353,464 S 12/1994 Ushikubo  
D358,219 S 5/1995 Ushikubo  
D363,430 S \* 10/1995 Danowski et al. .... D9/520  
D374,481 S 10/1996 McCallister et al.  
D407,826 S 4/1999 Yamazchi et al.  
5,899,334 A 5/1999 Domerchie et al.  
6,070,723 A 6/2000 Lewis

\* cited by examiner

*Primary Examiner*—Louis S Zarfaz

*Assistant Examiner*—Anhdao Doan

(74) *Attorney, Agent, or Firm*—Leland K. Jordan

(57) **CLAIM**

The ornamental design for a clinical solution bottle portion,  
as shown and described.

**DESCRIPTION**

FIG. 1 is a perspective view of a first embodiment of a clinical  
solution bottle portion showing the new design;

FIG. 2 is a front elevation view thereof, the rear elevation view  
being identical except for the unclaimed broken lines;

FIG. 3 is bottom plan view thereof;

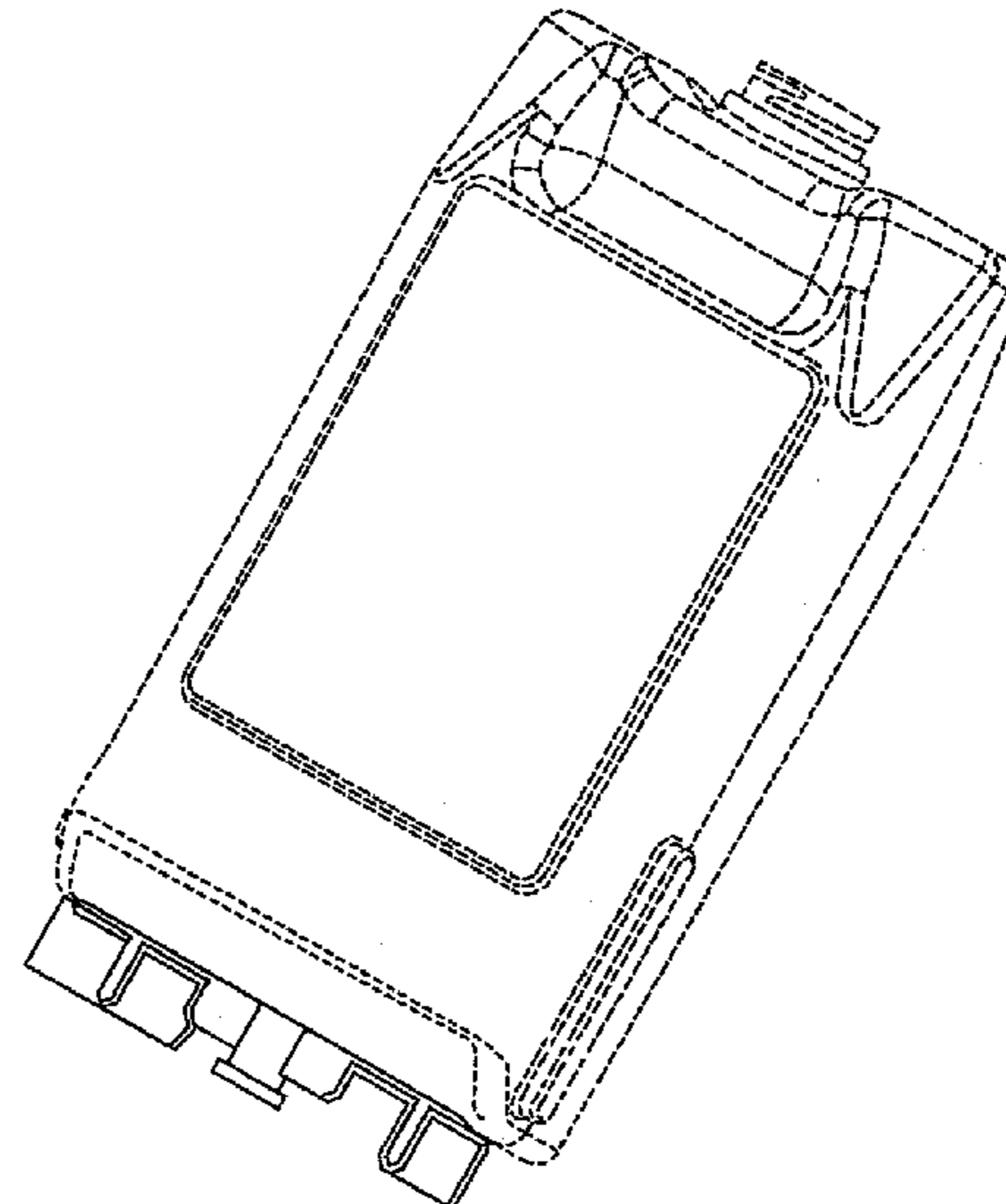
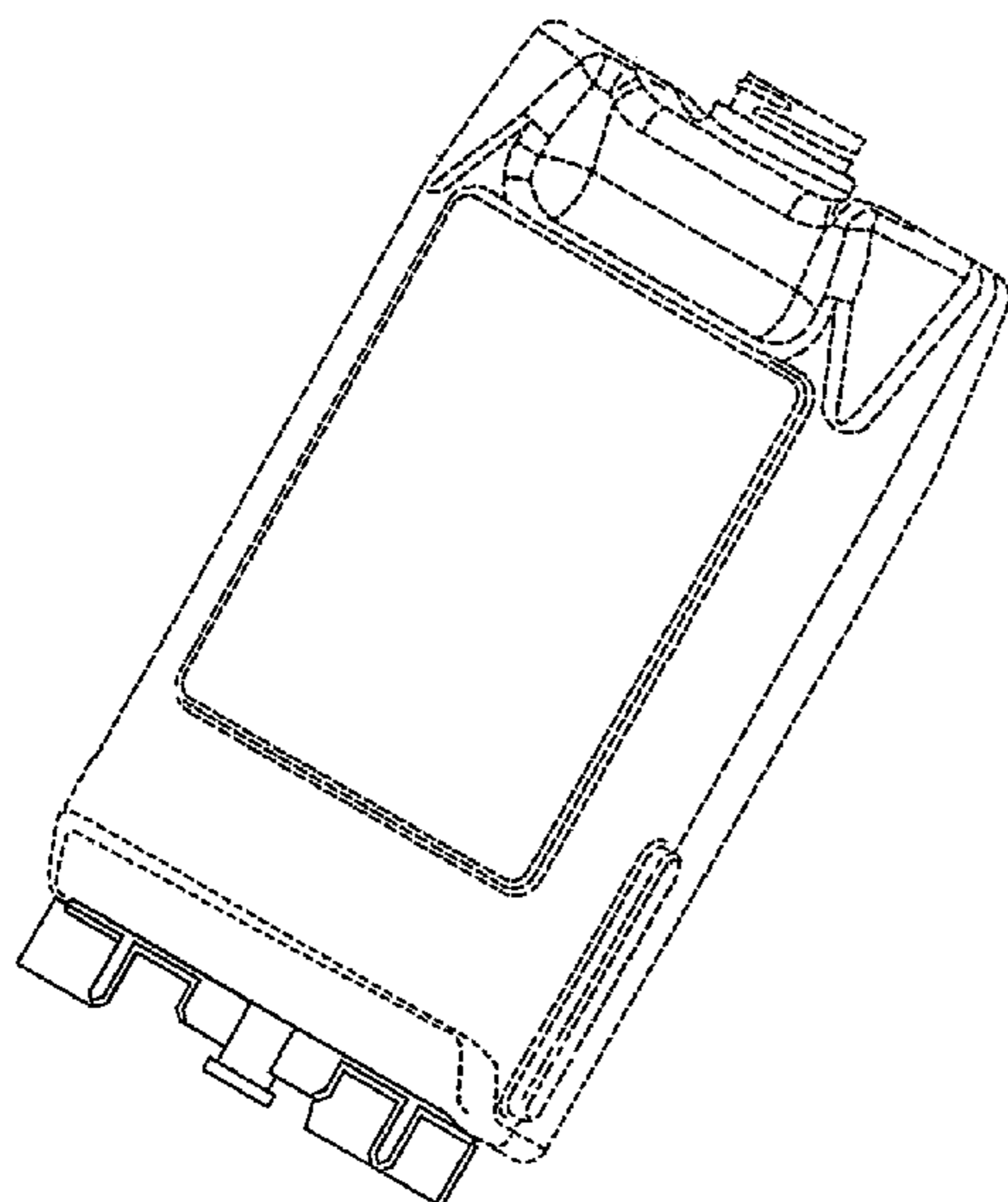
FIG. 4 is a perspective view of a second embodiment of a  
clinical solution bottle portion showing the new design;

FIG. 5 is a front elevation view thereof, the rear elevation view  
being identical except for the unclaimed broken lines; and,

FIG. 6 is bottom plan view thereof.

The broken lines showing in the drawings are for environ-  
mental purposes only and form no part of the claimed design.

**1 Claim, 6 Drawing Sheets**



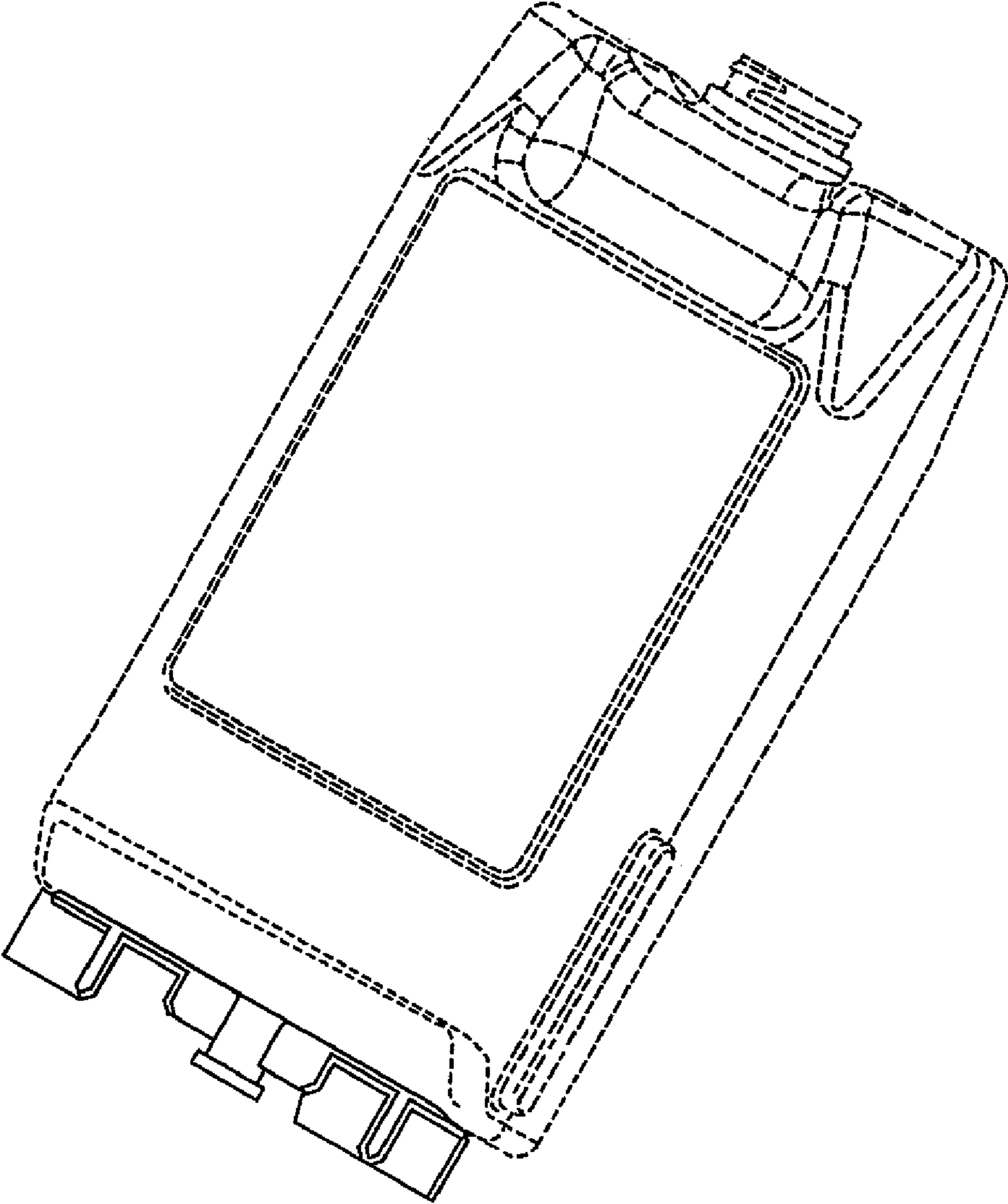


FIG. 1

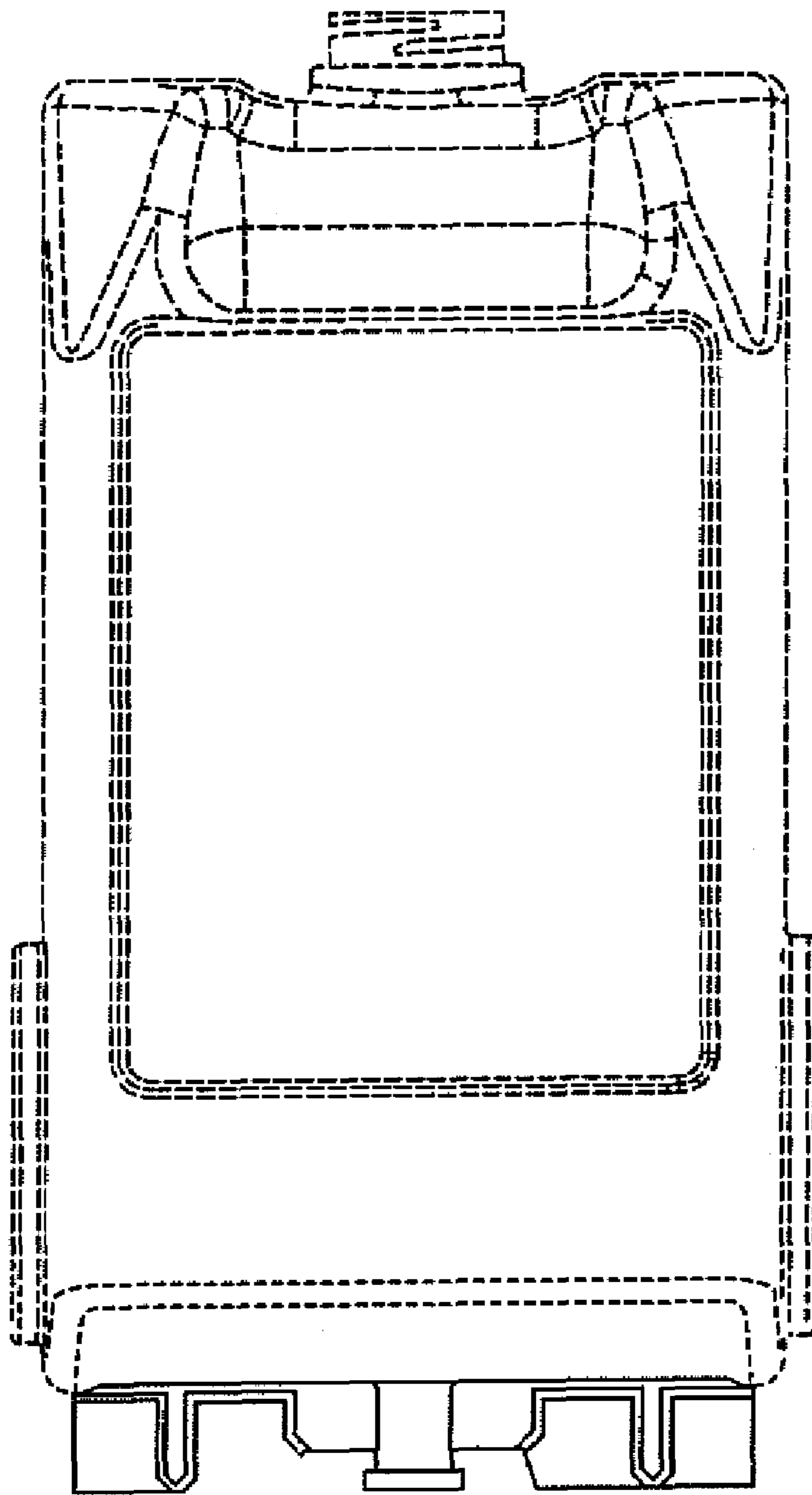


FIG. 2

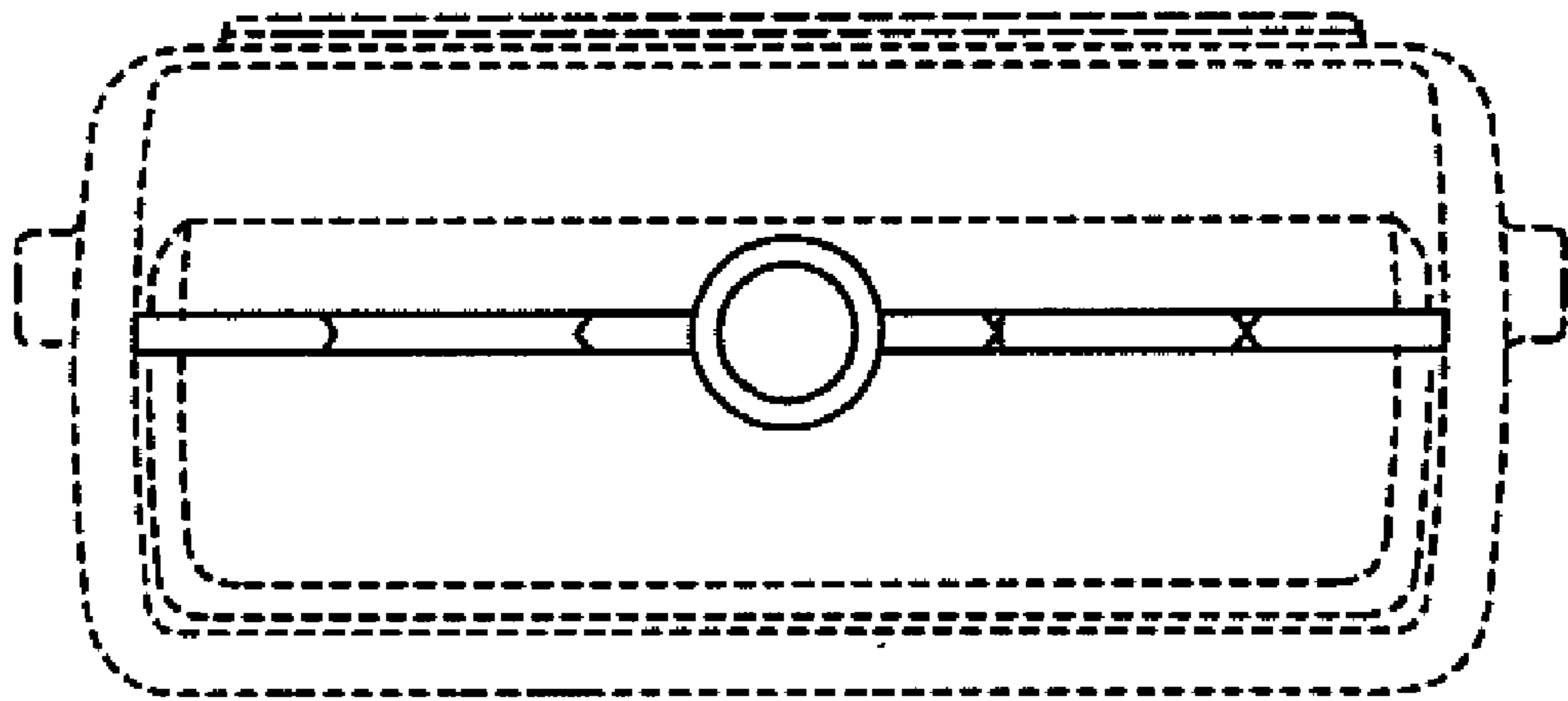


FIG. 3

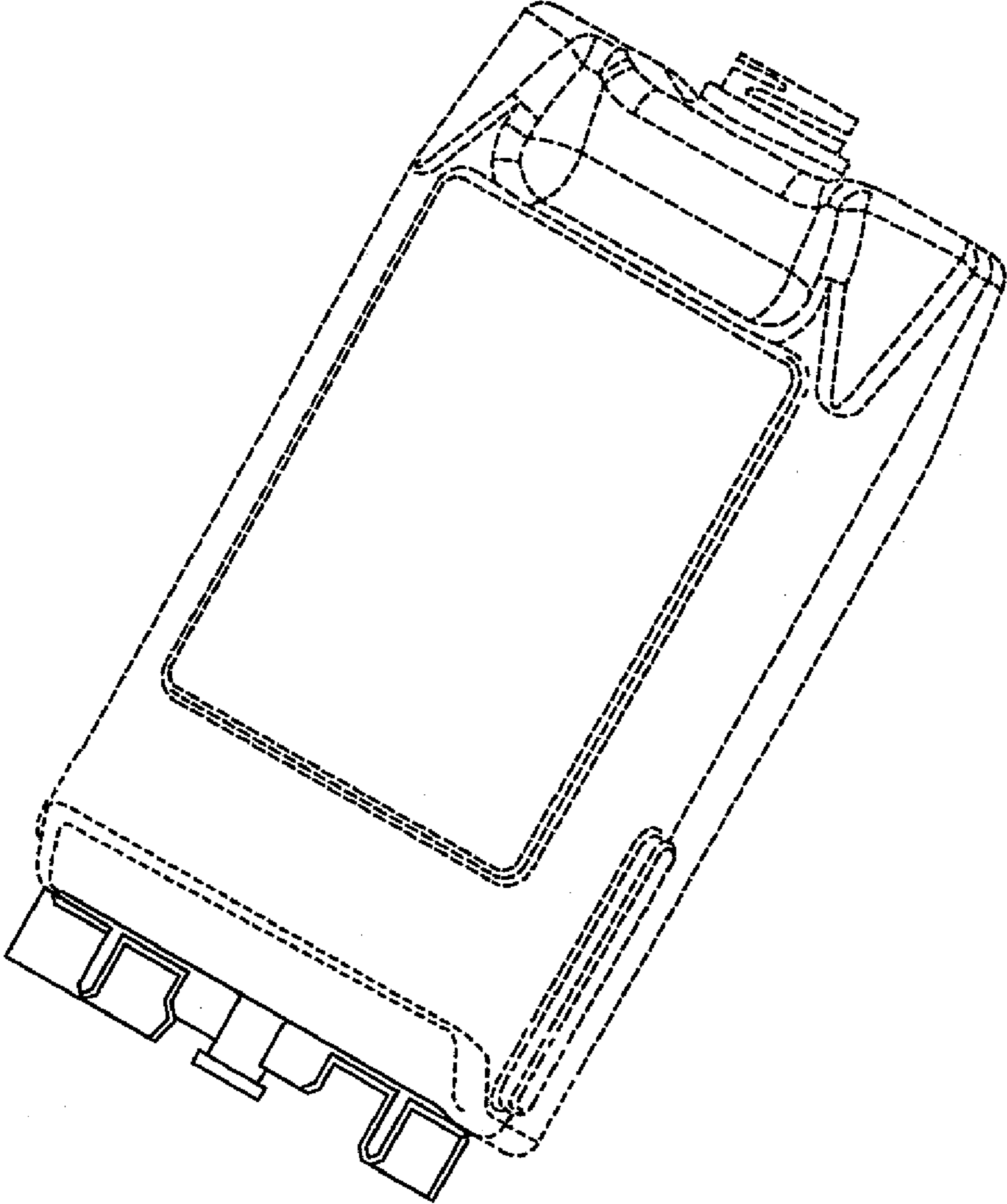


FIG. 4

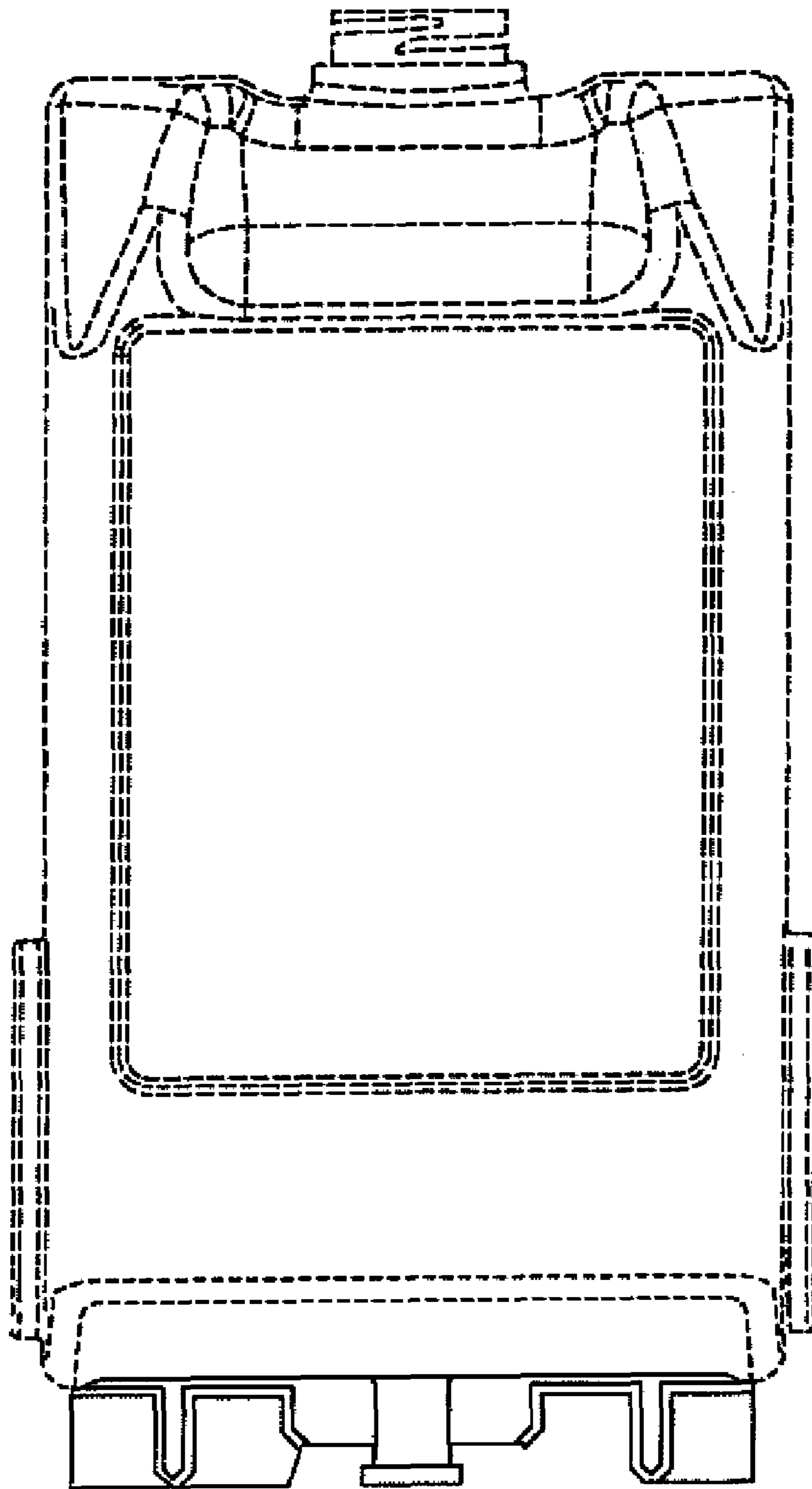


FIG. 5



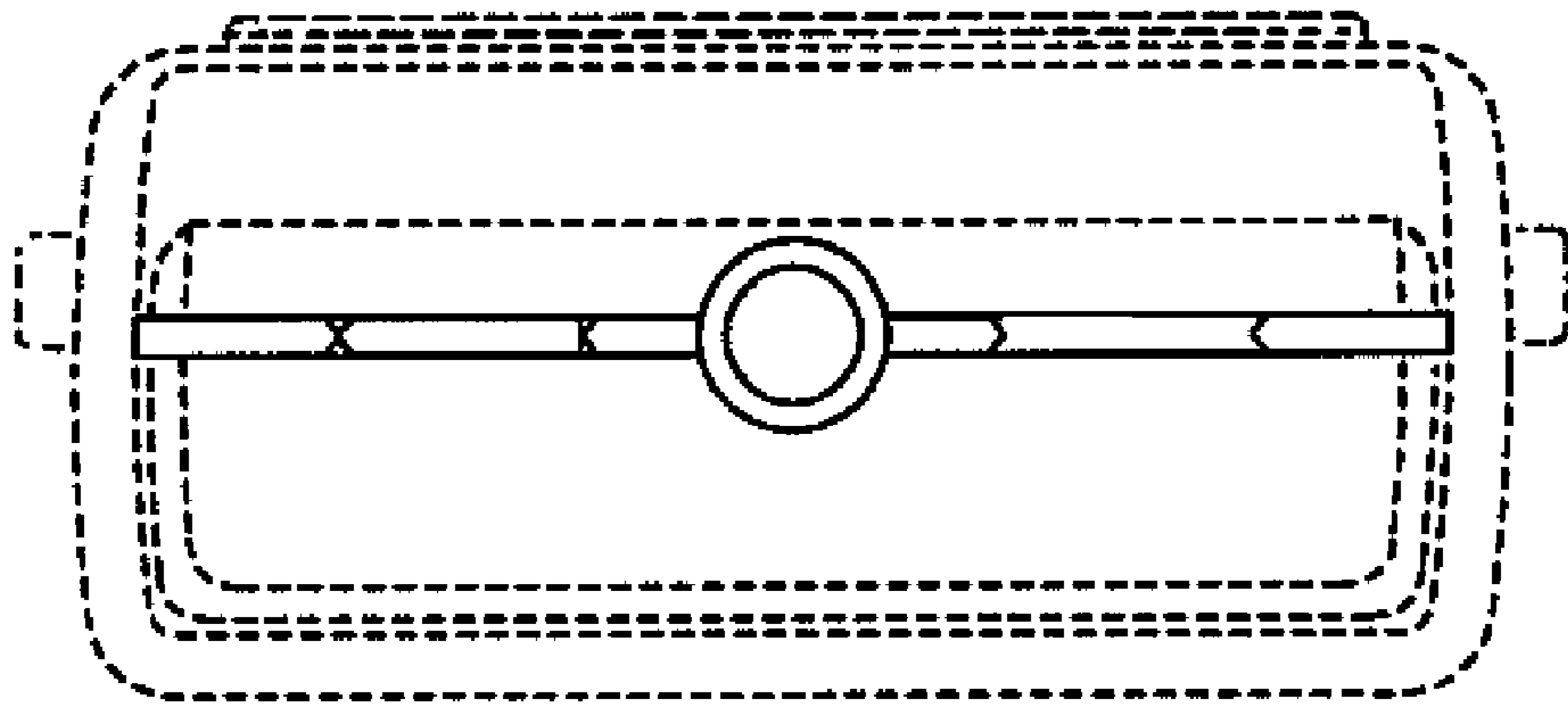


FIG. 6