



US00D577433S

(12) **United States Design Patent**
Lulla et al.

(10) **Patent No.:** **US D577,433 S**

(45) **Date of Patent:** **** Sep. 23, 2008**

(54) **CAPSULE CHAMBER**

(75) Inventors: **Amar Lulla**, Mumbai (IN); **Geena Malhotra**, Mumbai (IN)

(73) Assignee: **Cipla Limited**, Maharashtra (IN)

(**) Term: **14 Years**

(21) Appl. No.: **29/280,375**

(22) Filed: **May 24, 2007**

(30) **Foreign Application Priority Data**

Nov. 27, 2006 (IN) 207465

(51) **LOC (8) Cl.** **29-02**

(52) **U.S. Cl.** **D24/110**

(58) **Field of Classification Search** D24/110;
128/203.13, 203.15, 200.14, 200.22, 204.25
See application file for complete search history.

(56) **References Cited**

U.S. PATENT DOCUMENTS

3,991,761 A * 11/1976 Coccozza 128/203.15
4,423,724 A * 1/1984 Young 128/203.15
4,953,545 A * 9/1990 McCarty 128/200.23
D340,975 S * 11/1993 Sladek D24/110
D527,817 S * 9/2006 Ziegler et al. D24/110

2003/0000523 A1 * 1/2003 Citterio 128/203.15
2006/0185672 A1 * 8/2006 Pinon et al. 128/203.15
2007/0295332 A1 * 12/2007 Ziegler et al. 128/203.15

* cited by examiner

Primary Examiner—Ian Simmons

Assistant Examiner—Christopher Lee

(74) *Attorney, Agent, or Firm*—Knobbe Martens Olson & Bear LLP

(57) **CLAIM**

The ornamental design for a capsule chamber, as shown and described.

DESCRIPTION

FIG. 1 is a top view thereof;

FIG. 2 is a front view thereof;

FIG. 3 is a back view thereof;

FIG. 4 is a left side view thereof;

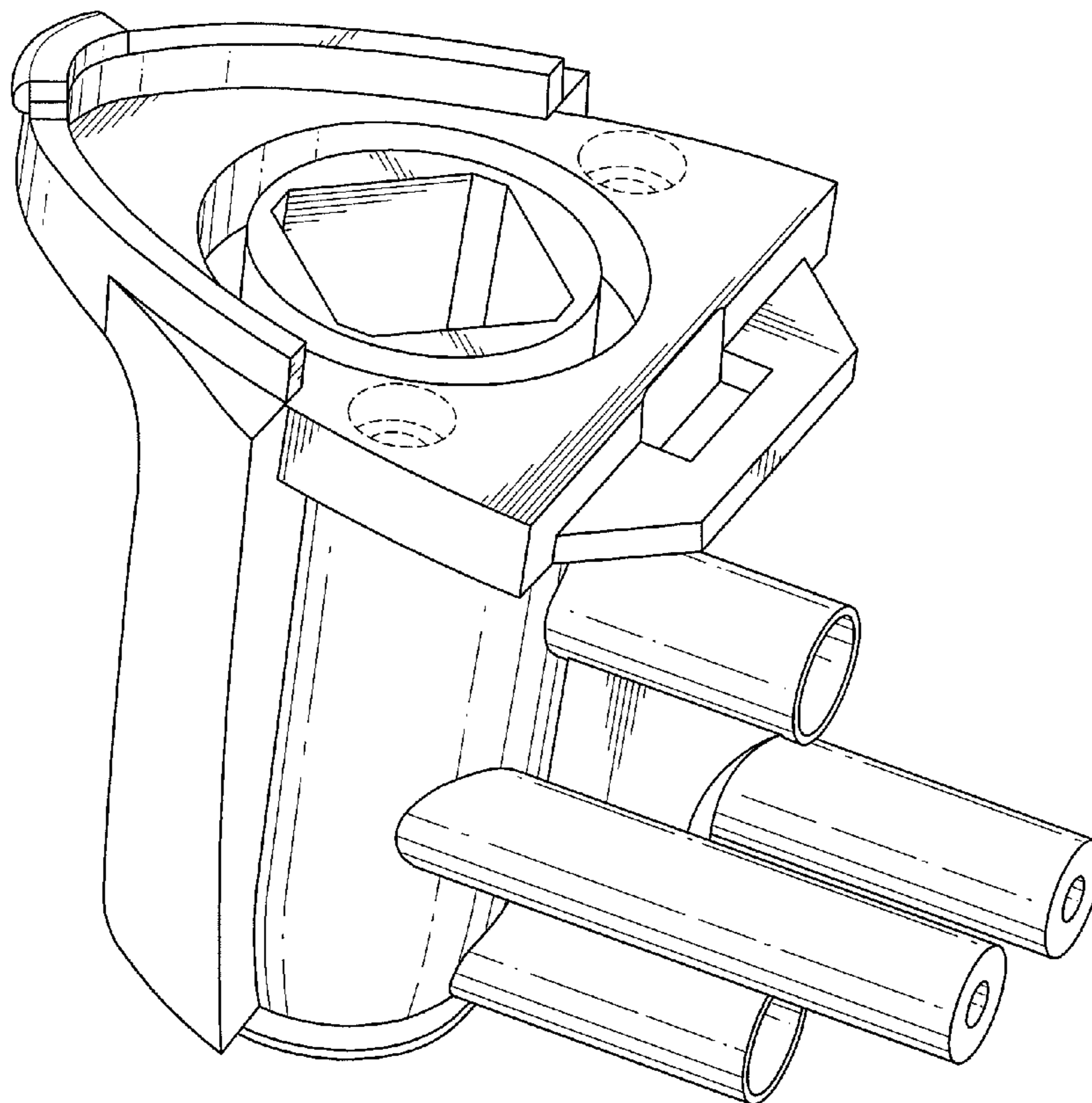
FIG. 5 is a right side view thereof;

FIG. 6 is a bottom view thereof; and,

FIG. 7 is a perspective view thereof.

The broken line showing is for illustrative purposes only and forms no part of the claimed design.

1 Claim, 7 Drawing Sheets



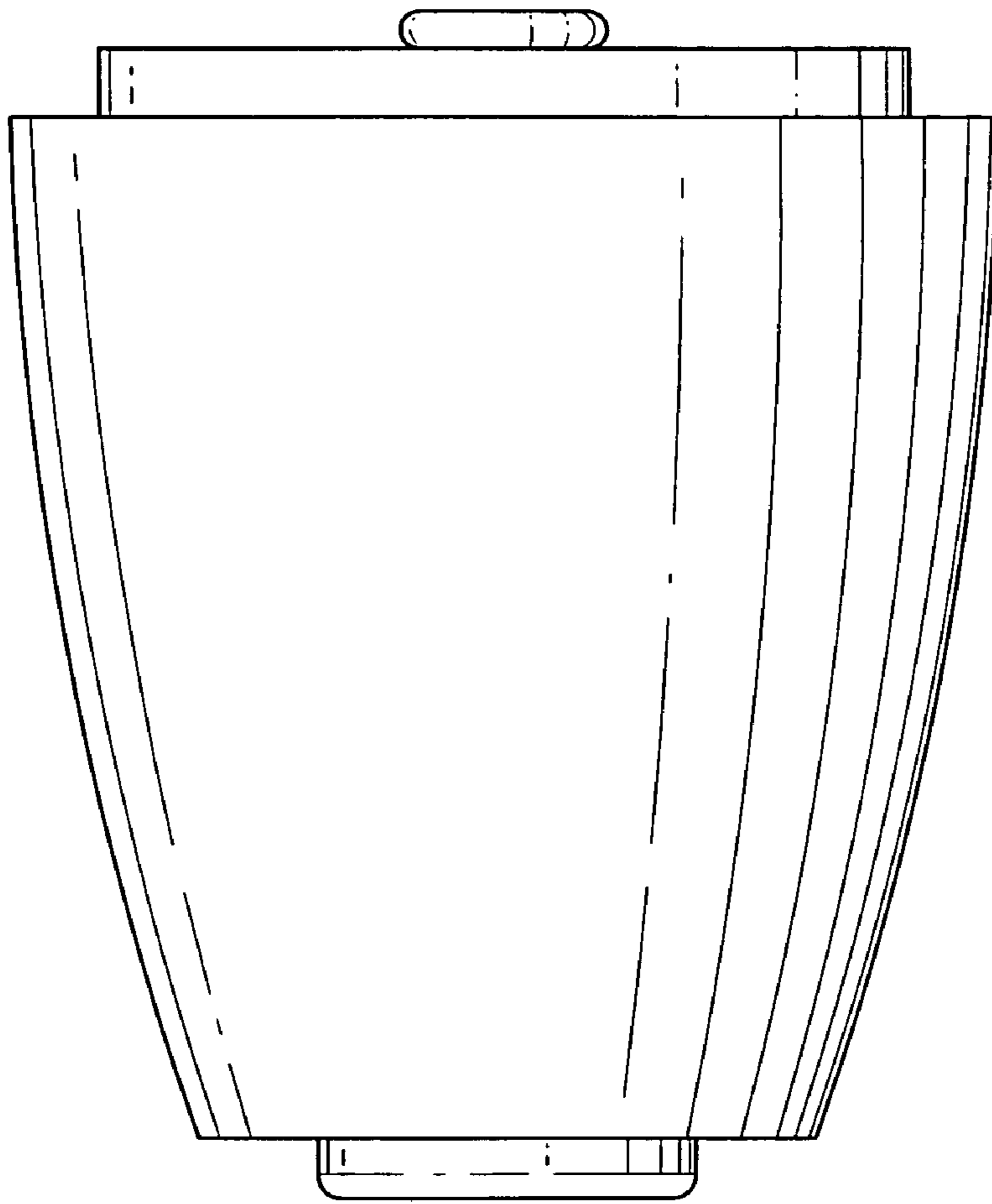


FIG. 1

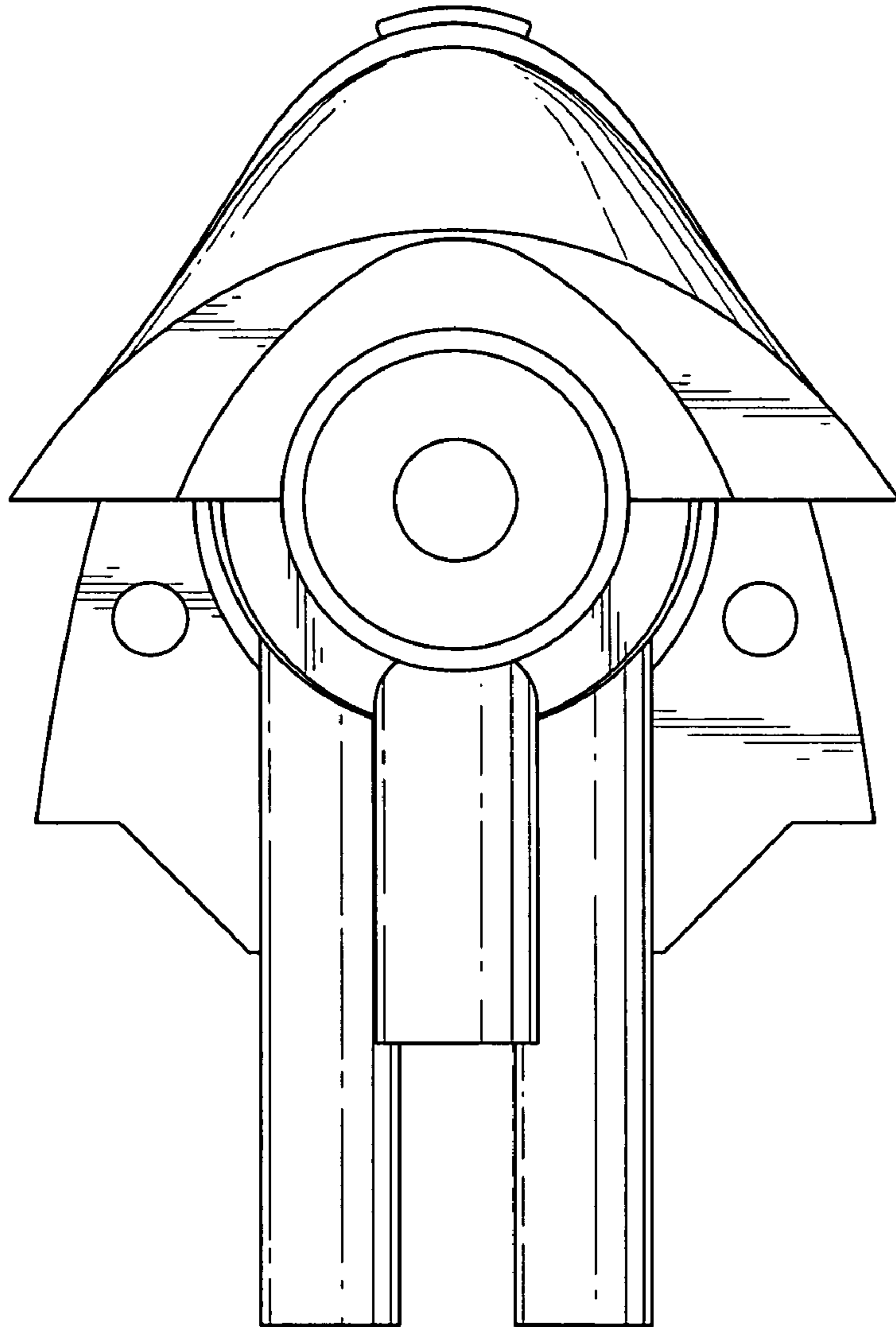


FIG. 2

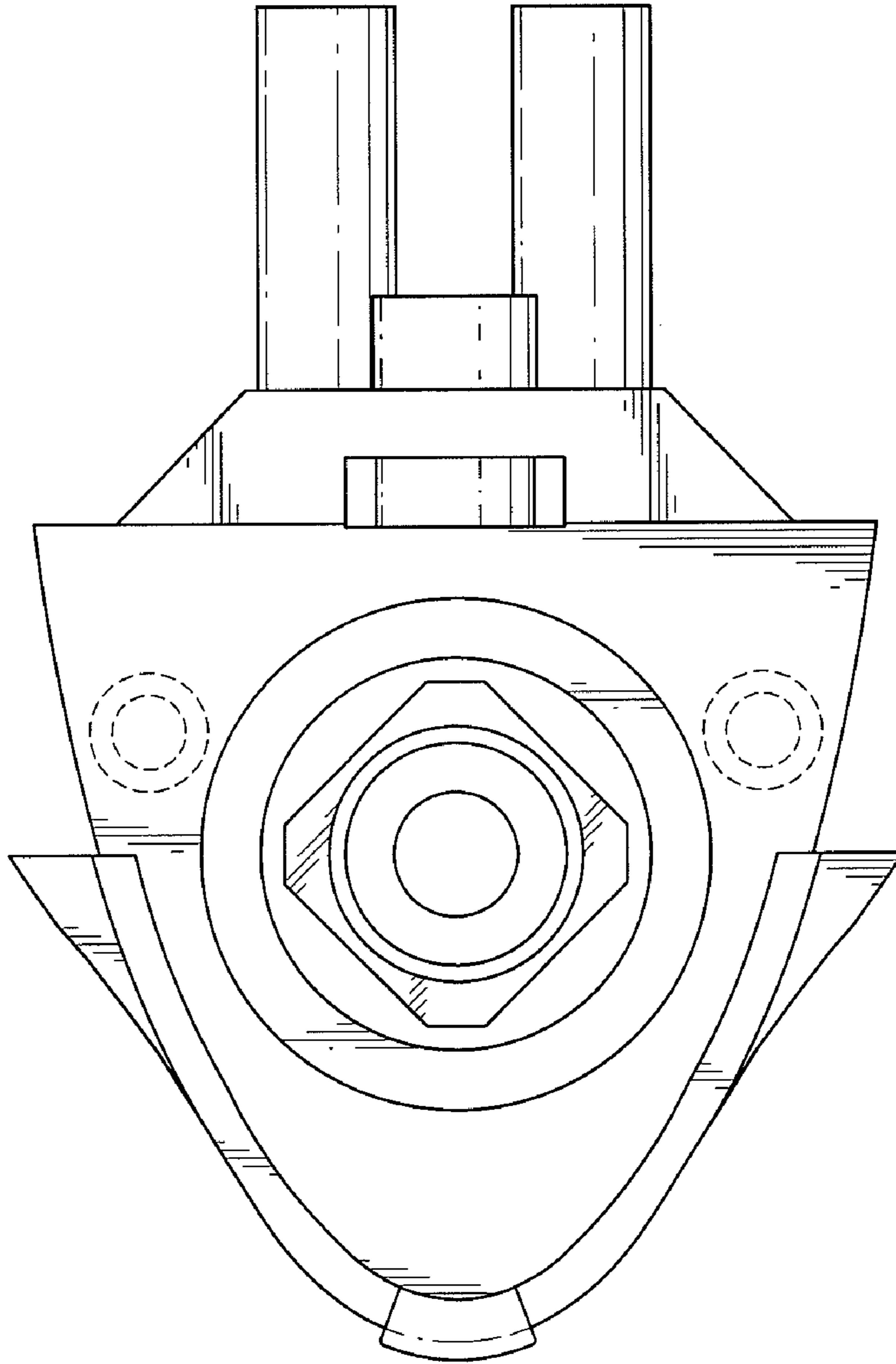


FIG. 3

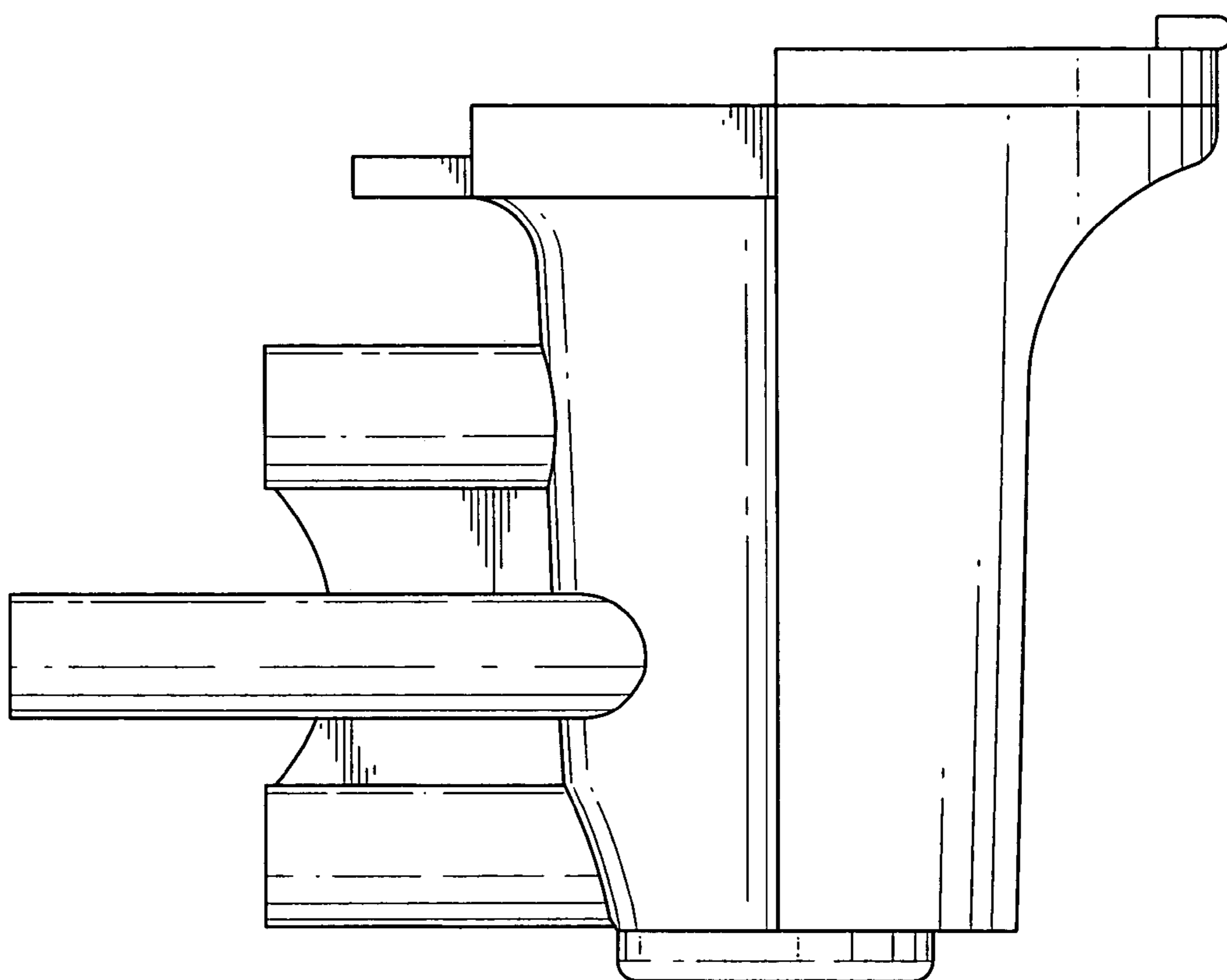


FIG. 4

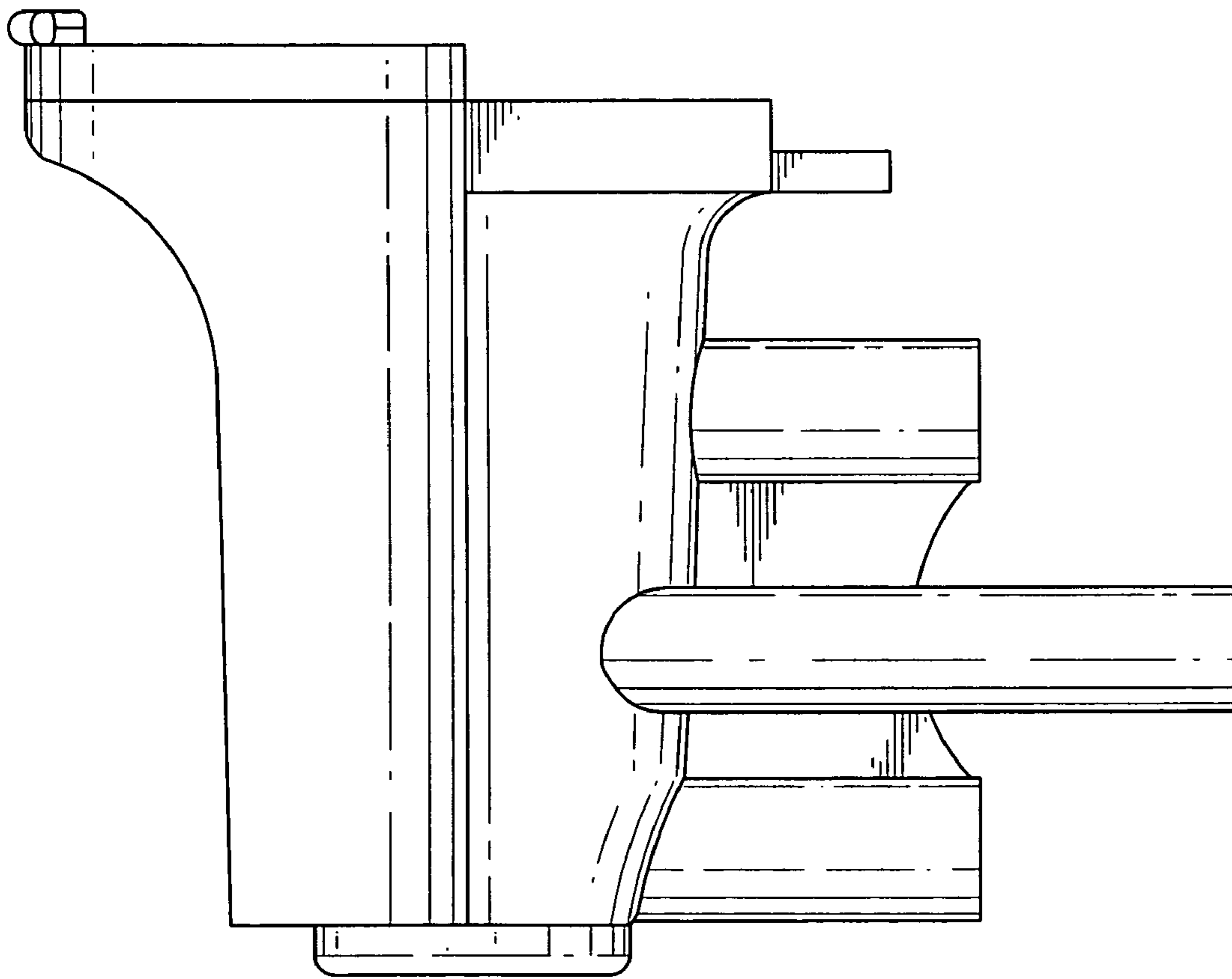


FIG. 5

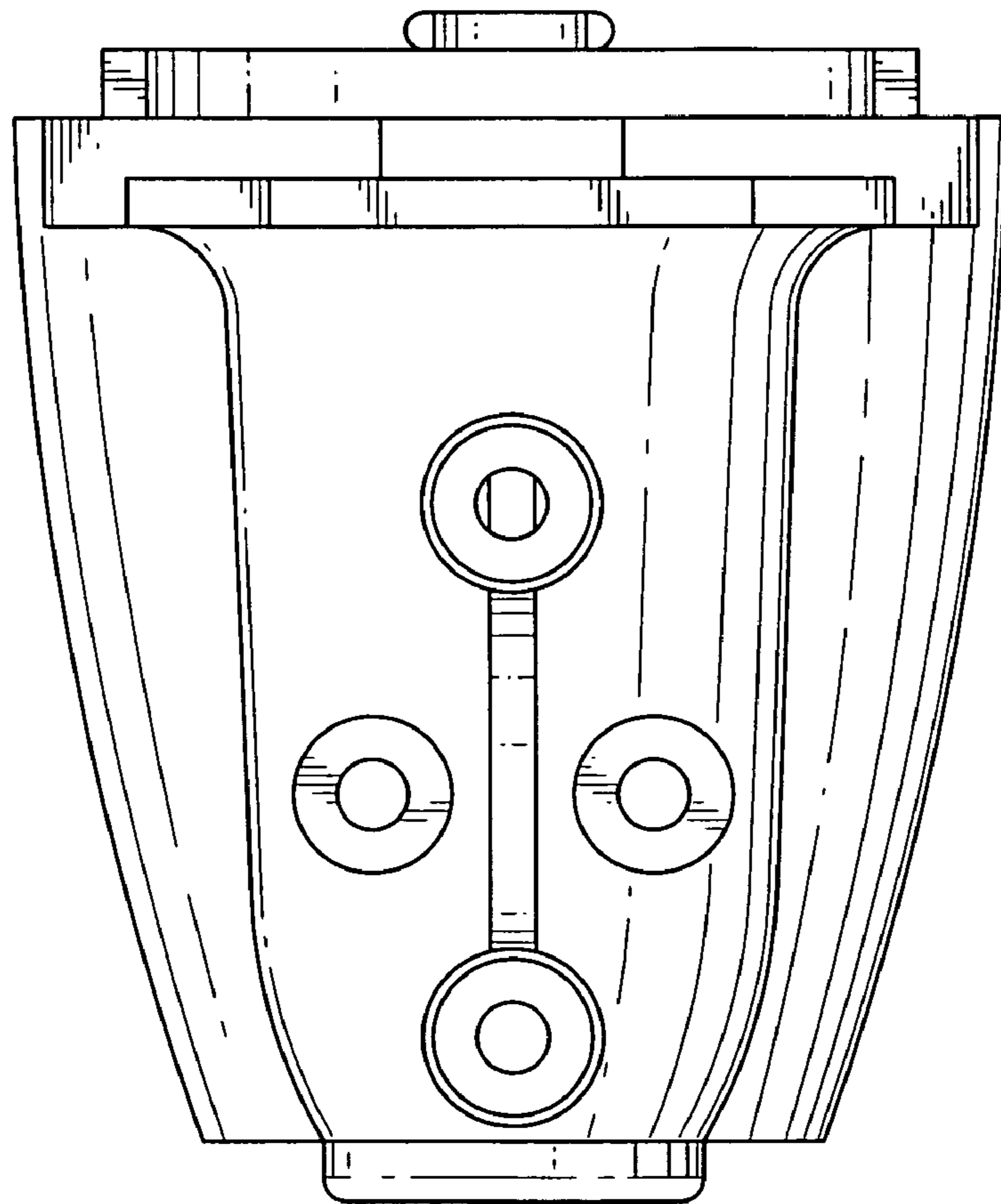


FIG. 6

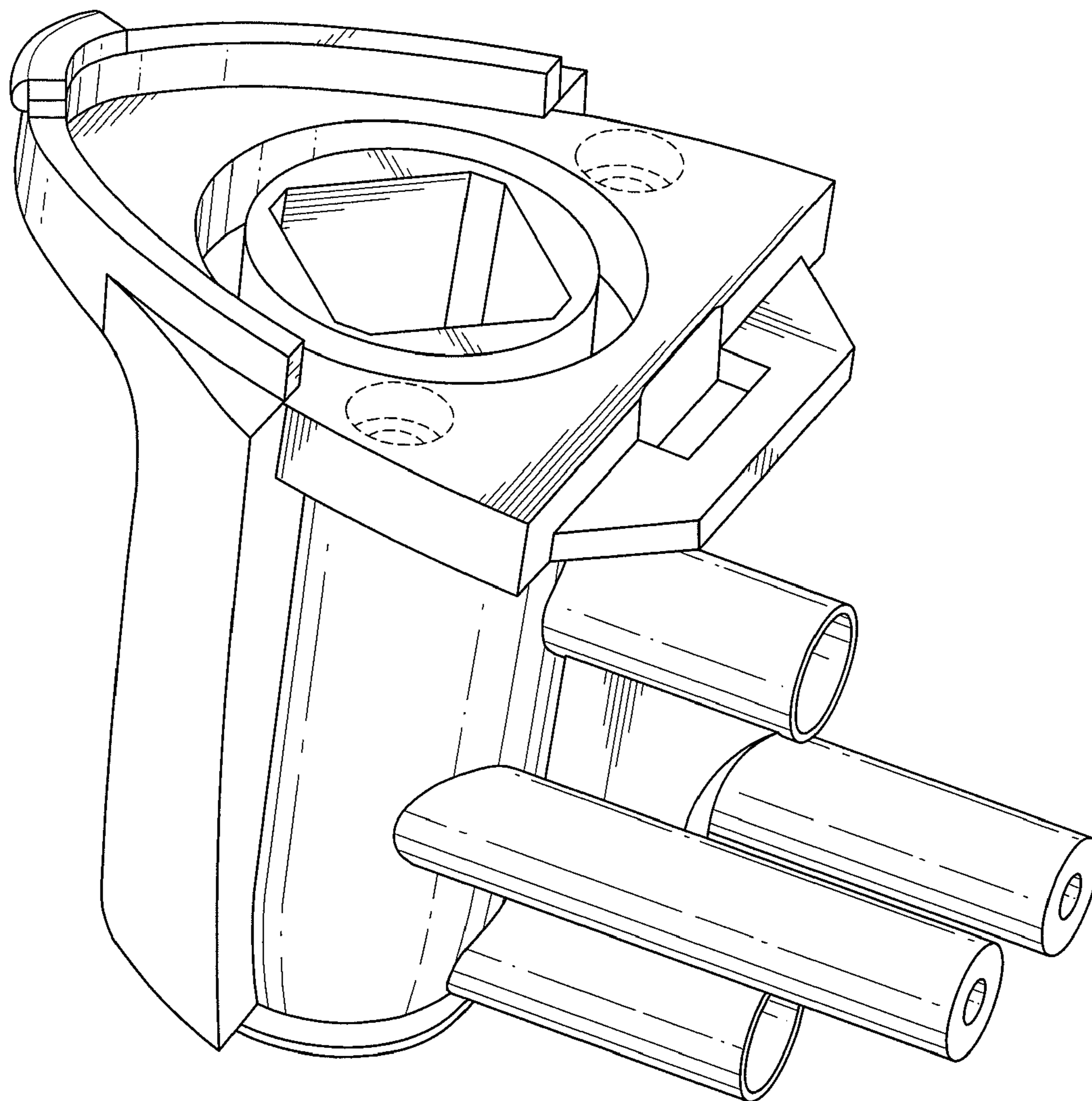


FIG. 7