



US00D577432S

(12) **United States Design Patent**
Polselli et al.

(10) **Patent No.:** **US D577,432 S**

(45) **Date of Patent:** **** Sep. 23, 2008**

(54) **INTRA-AURICULAR INSERT**

(76) Inventors: **Roberto Polselli**, Via San Vitale, 24,
Massa (IT) 54100; **Andrea Angeloni**,
Via Dei Limoni, 37, Massa (IT) 54100

(**) Term: **14 Years**

(21) Appl. No.: **29/298,431**

(22) Filed: **Dec. 5, 2007**

(30) **Foreign Application Priority Data**

Jun. 6, 2007 (EM) 000742101

(51) **LOC (8) Cl.** **24-04**

(52) **U.S. Cl.** **D24/106**

(58) **Field of Classification Search** D24/106;
128/857, 864, 865, 867, 868; 181/129, 130,
181/131, 135; D14/23; 381/313, 359, 338
See application file for complete search history.

(56) **References Cited**

U.S. PATENT DOCUMENTS

2,393,005 A * 1/1946 Veneklasen 128/864
4,702,238 A * 10/1987 Scott 128/867

5,247,946 A * 9/1993 Holder 128/864
D363,120 S * 10/1995 Savage et al. D24/134
D408,526 S * 4/1999 Westerdal D24/106
D492,991 S * 7/2004 Chiang D24/106
6,830,124 B2 * 12/2004 Chiang 181/135
D514,094 S * 1/2006 Griffin D14/223

* cited by examiner

Primary Examiner—Ian Simmons

Assistant Examiner—Carissa C Fitts

(74) *Attorney, Agent, or Firm*—Hogan & Hartson LLP

(57) **CLAIM**

The ornamental design for intra-auricular insert, as shown and described.

DESCRIPTION

FIG. 1 is a left perspective view of an intra-auricular insert showing our new design;

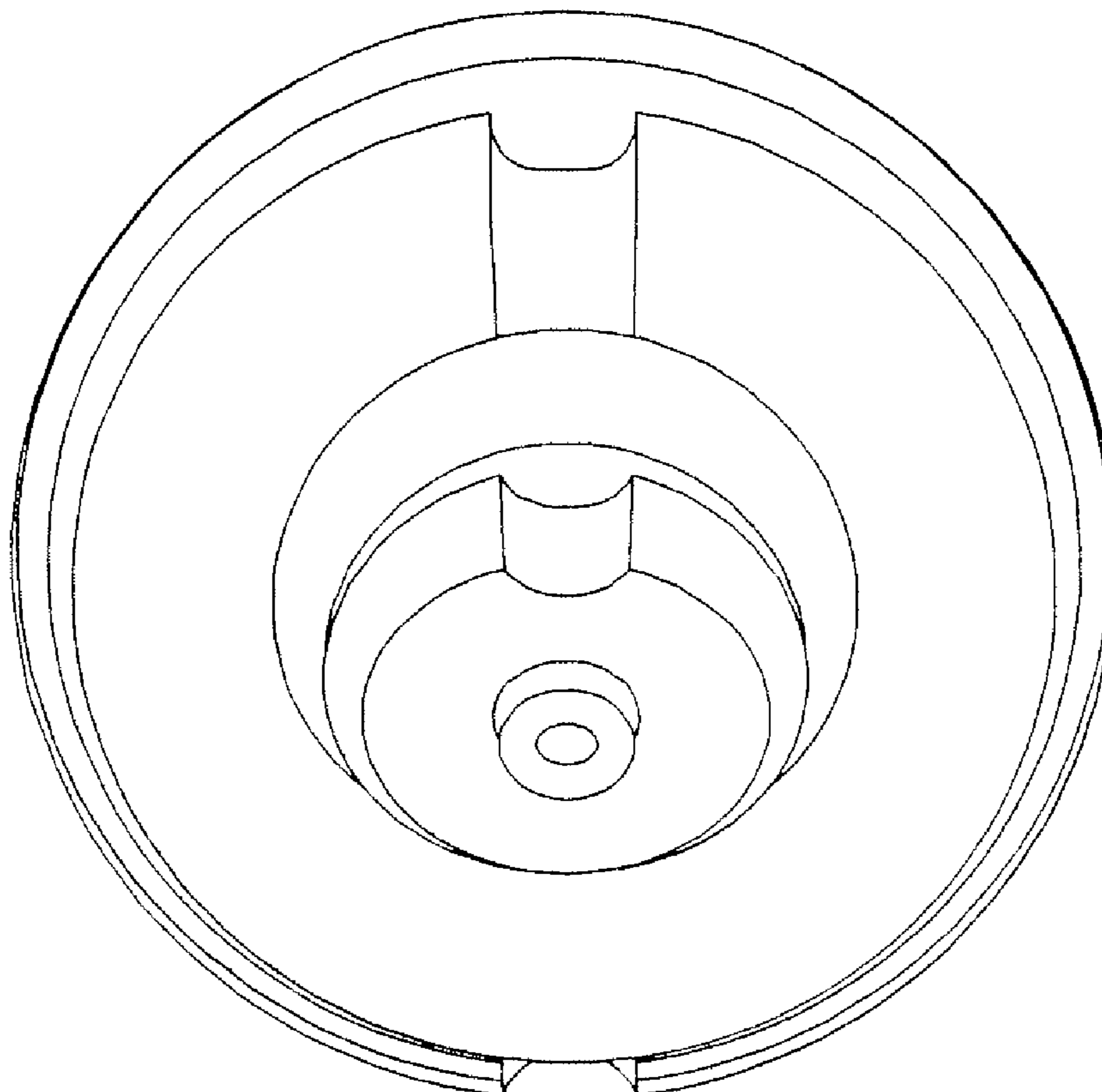
FIG. 2 is a right side elevation view thereof;

FIG. 3 is a top elevation view thereof;

FIG. 4 is a bottom elevation view thereof; and,

FIG. 5 is a rear elevation view thereof.

1 Claim, 5 Drawing Sheets



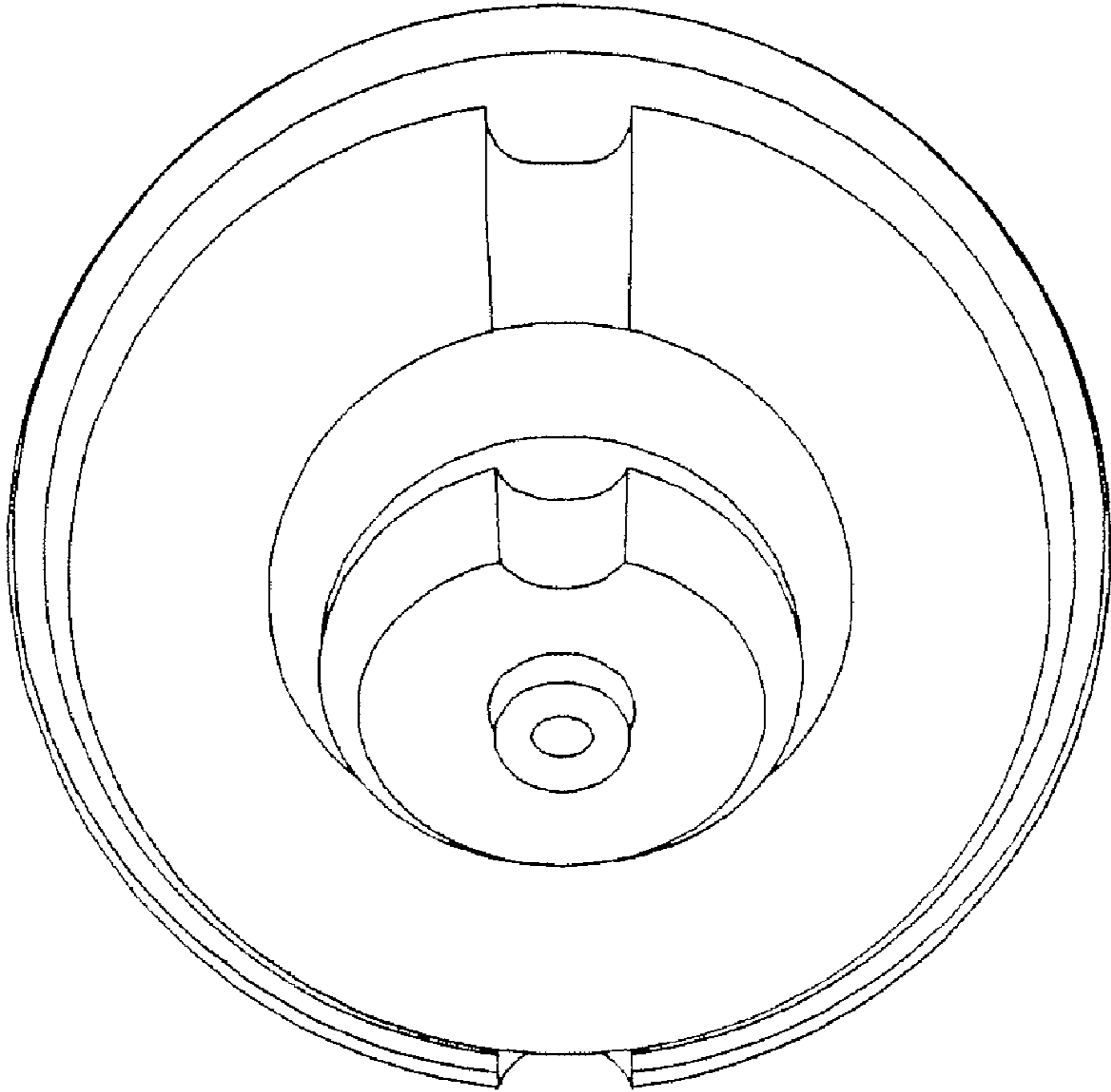


FIG. 1

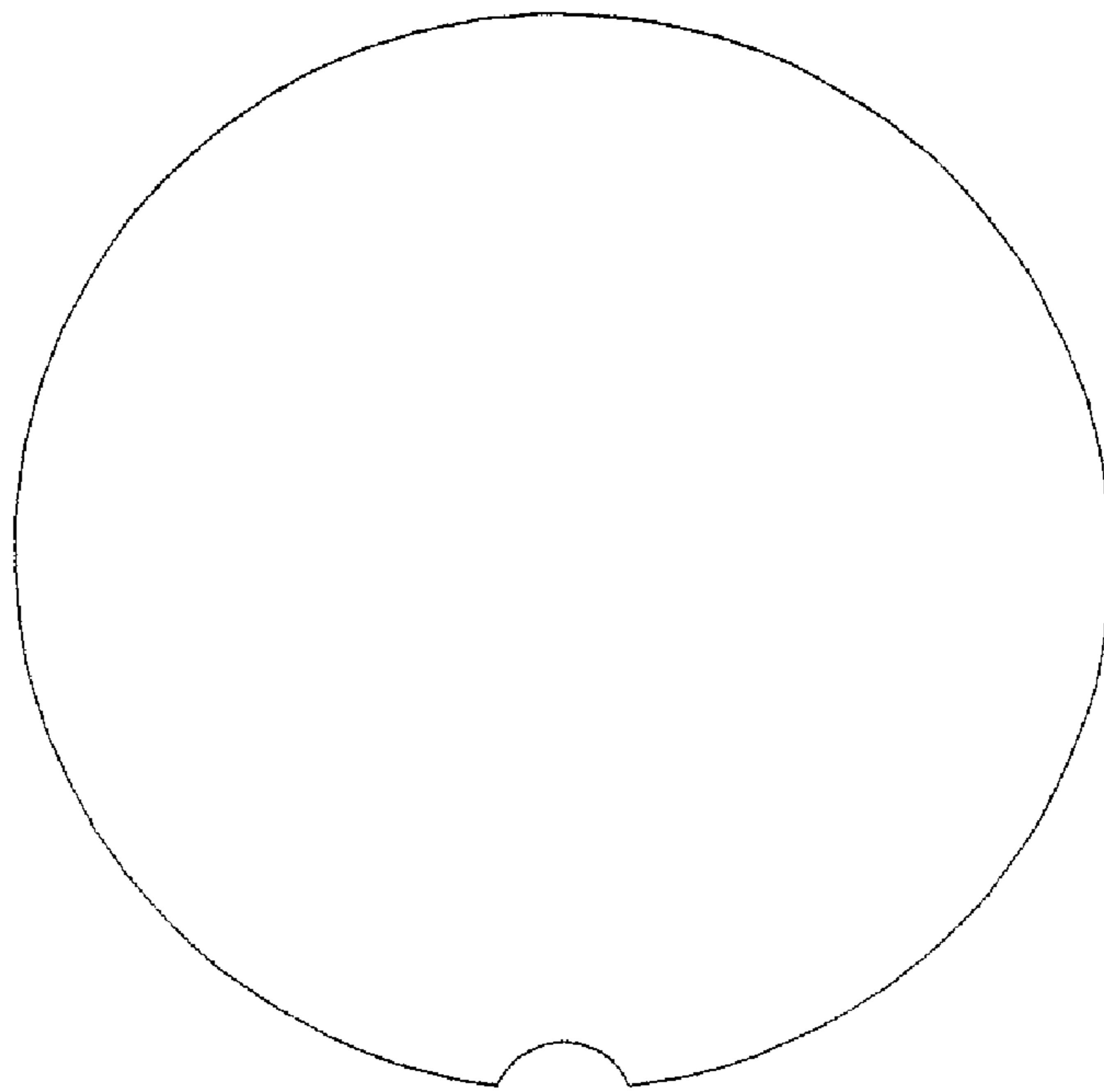


FIG. 2

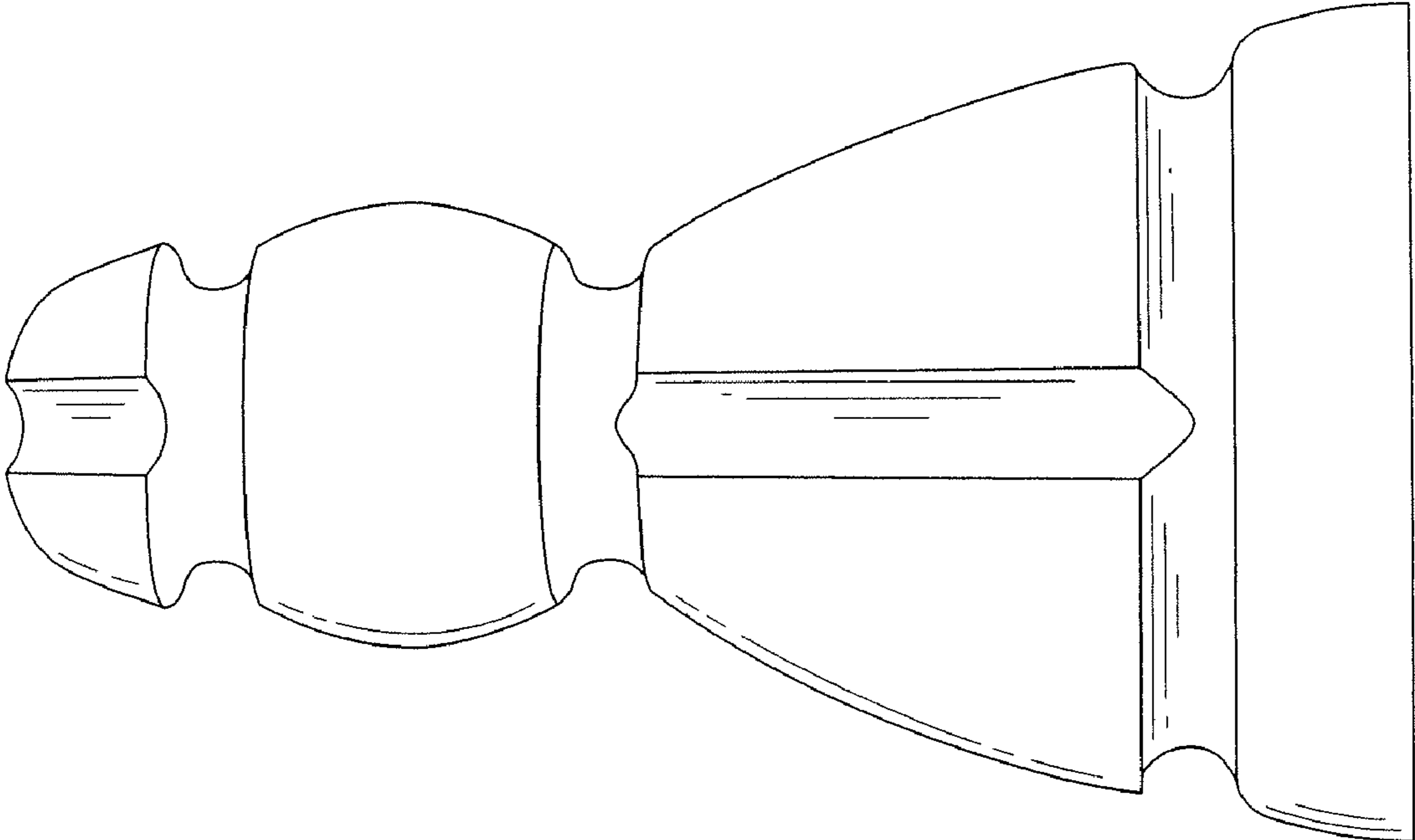


FIG. 3

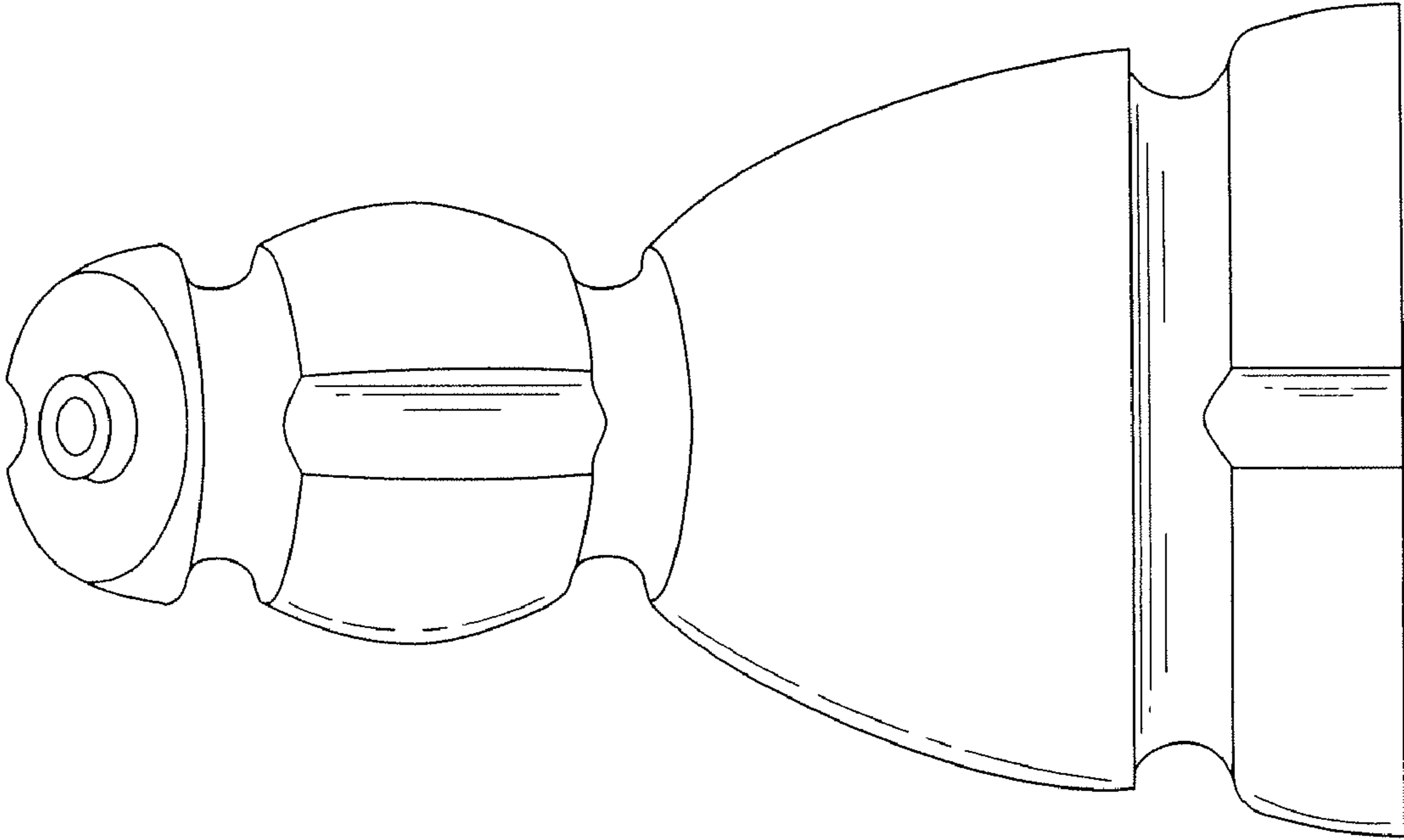


FIG.4

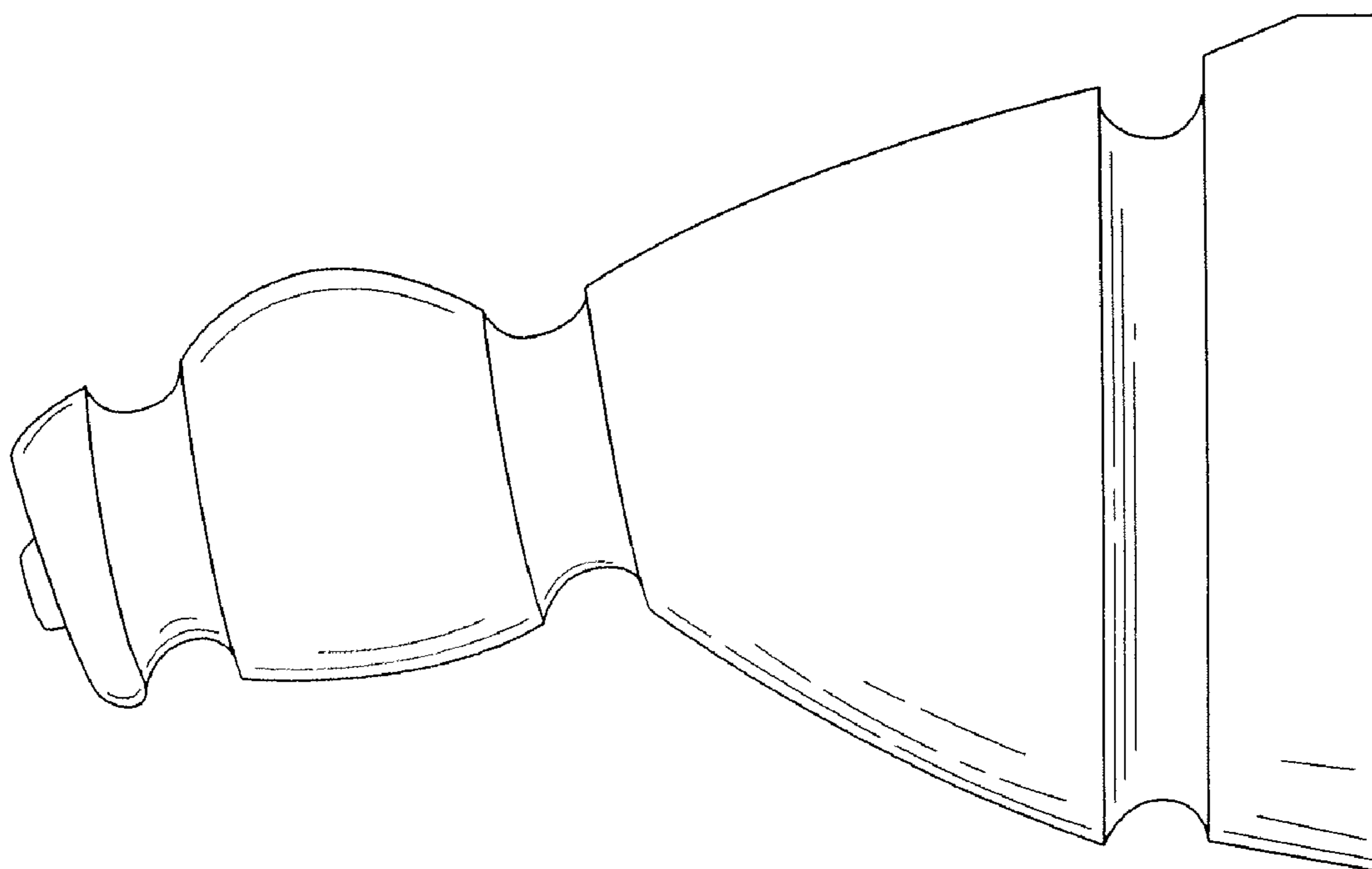


FIG. 5