



US00D577430S

(12) **United States Design Patent**
Hidalgo

(10) **Patent No.:** **US D577,430 S**
(45) **Date of Patent:** **** Sep. 23, 2008**

(54) **COMBINATION CEILING FAN AND LIGHT FIXTURE**

Savoy House Internet Catalog; Venice; Model #7-9563-3-300; printed from www.savoyhouse.com on Jan. 5, 2008.

(75) Inventor: **Rolando Hidalgo**, Orange, CA (US)

* cited by examiner

(73) Assignee: **Minka Lighting, Inc.**, Corona, CA (US)

Primary Examiner—Lisa Lichtenstein

(74) *Attorney, Agent, or Firm*—Baker & McKenzie LLP

(**) Term: **14 Years**

(57) **CLAIM**

(21) Appl. No.: **29/299,180**

The ornamental design for a combination ceiling fan and light fixture, as shown and described.

(22) Filed: **Dec. 20, 2007**

(51) **LOC (8) Cl.** **23-04**

(52) **U.S. Cl.** **D23/377**

(58) **Field of Classification Search** D23/377,
D23/379, 385, 411, 413; 416/5; D26/59,
D26/51, 72, 81–88

See application file for complete search history.

DESCRIPTION

(56) **References Cited**

U.S. PATENT DOCUMENTS

D415,269 S	*	10/1999	Wang	D23/377
D504,502 S	*	4/2005	Young	D23/377
D524,434 S	*	7/2006	Hidalgo	D23/377
D527,452 S		8/2006	Hidalgo		
D527,453 S		8/2006	Hidalgo		
D554,248 S	*	10/2007	Hidalgo	D23/377

OTHER PUBLICATIONS

Minka Internet Catalog; Bellasera; Model #774-301; printed from www.minkagroup.net on May 10, 2007.

Hunter Internet Catalog; Marseille; Model #28146; printed from www.hansenwhole.com on Apr. 25, 2007.

Emerson Internet Catalog; Chateau Royale; Model #CF945PW; printed from www.hansenwhole.com on Apr. 25, 2007.

FIG. 1 is a bottom perspective view of a combination ceiling fan and light fixture in accordance with my design;

FIG. 2 is a reduced top plan view of the combination ceiling fan and light fixture in accordance with my design;

FIG. 3 is a reduced bottom plan view of the combination ceiling fan and light fixture in accordance with my design;

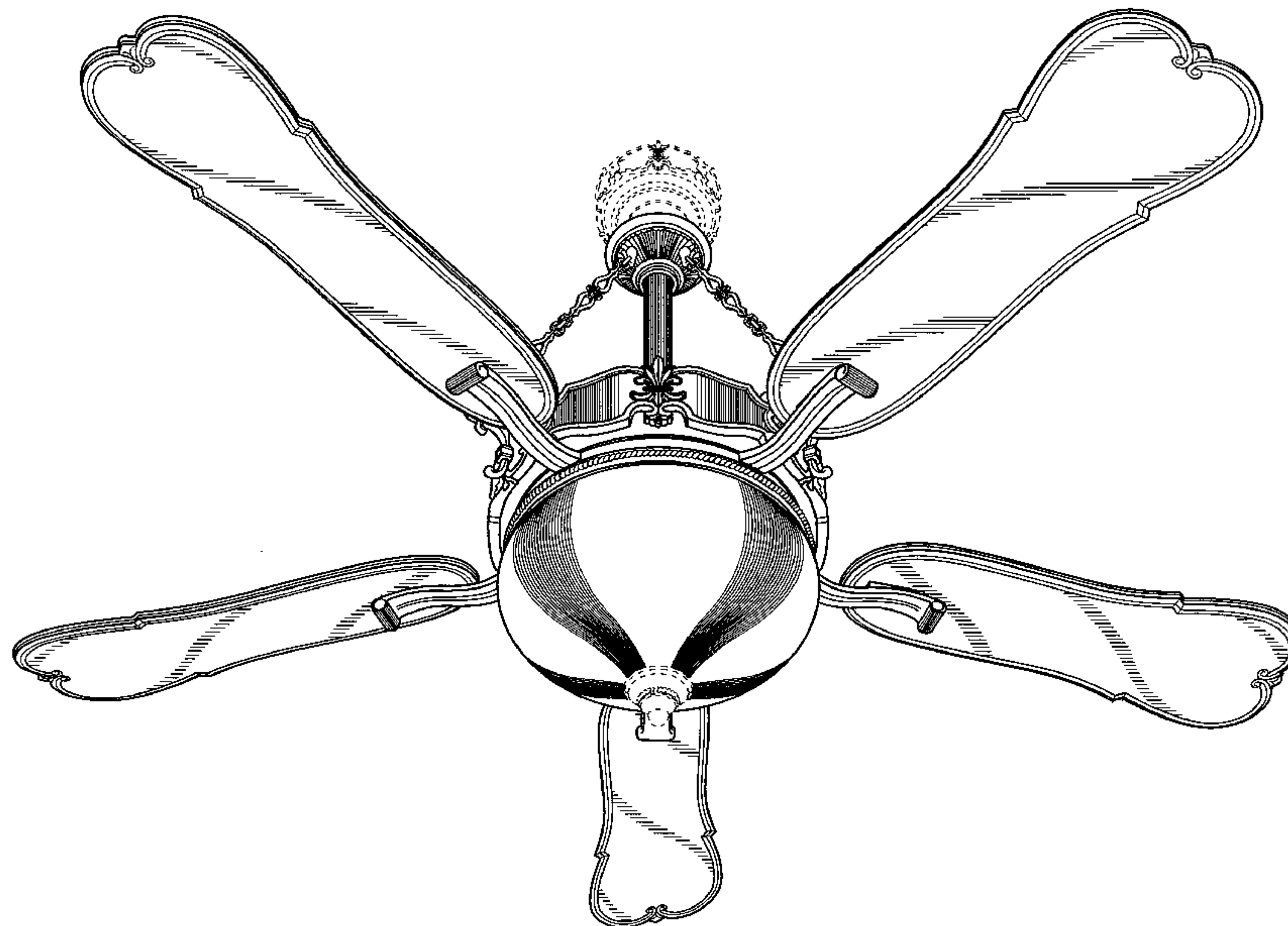
FIG. 4 is a front elevation view of the combination ceiling fan and light fixture in accordance with my design;

FIG. 5 is a back elevation view of the combination ceiling fan and light fixture in accordance with my design; and

FIG. 6 is a side elevation view of the combination ceiling fan and light fixture in accordance with my design, the opposite view being a mirror image of that shown except for the position of the fan blades.

The broken line showing of the ceiling fan canopy, top apertures and finial is included for the purpose of illustrating environmental structure and forms no part of the claimed design.

1 Claim, 6 Drawing Sheets



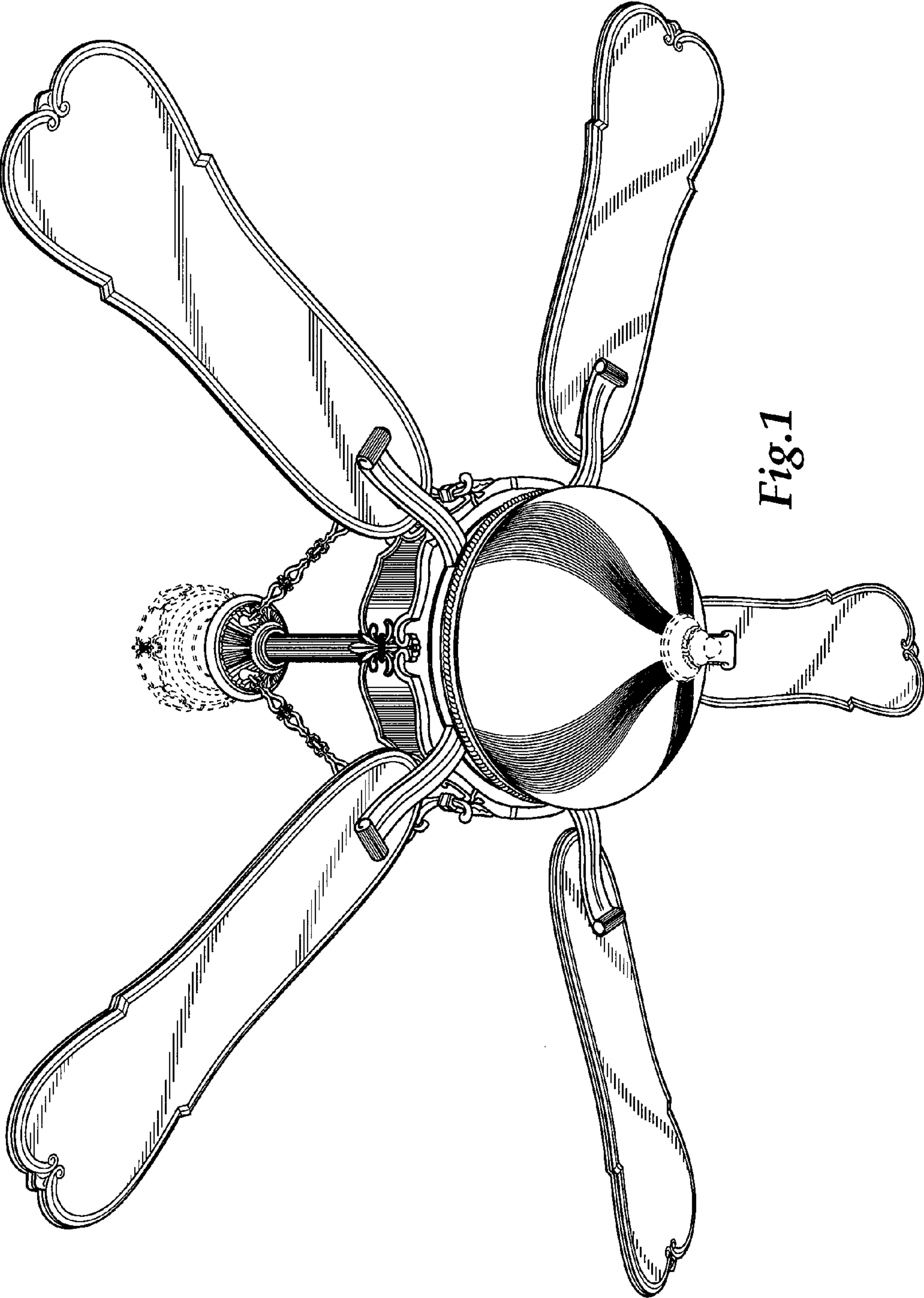


Fig.1

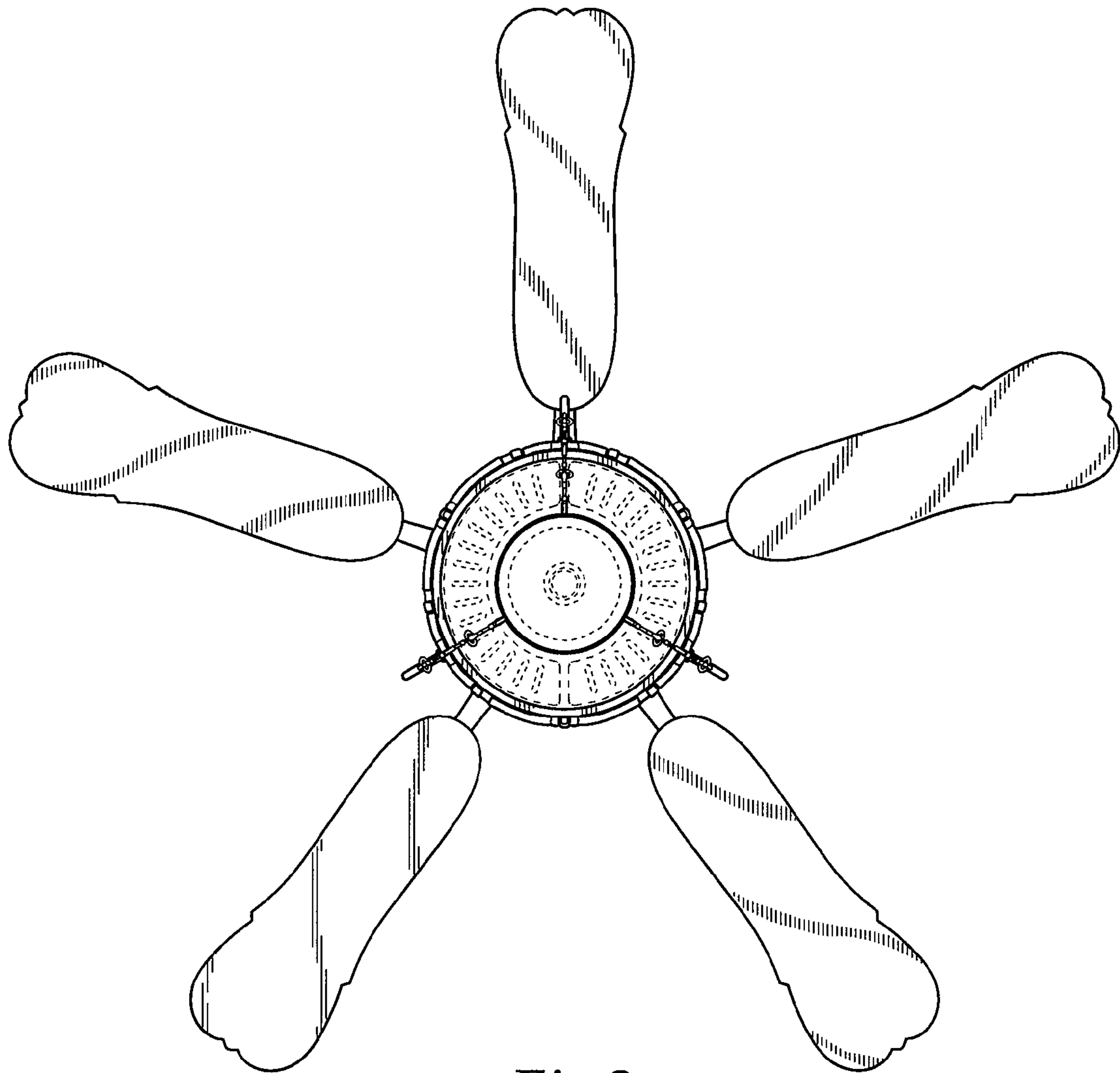


Fig.2

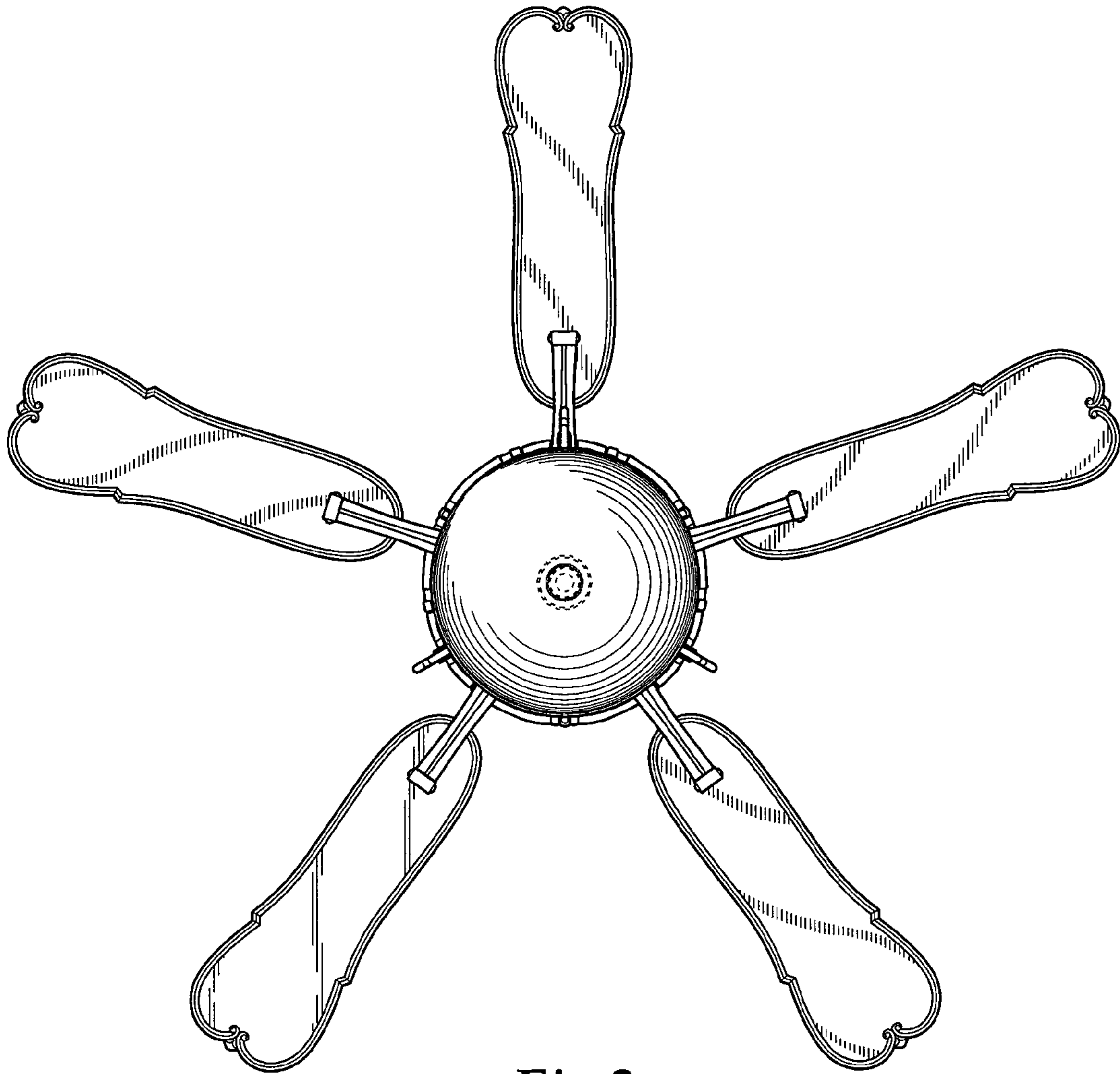


Fig.3

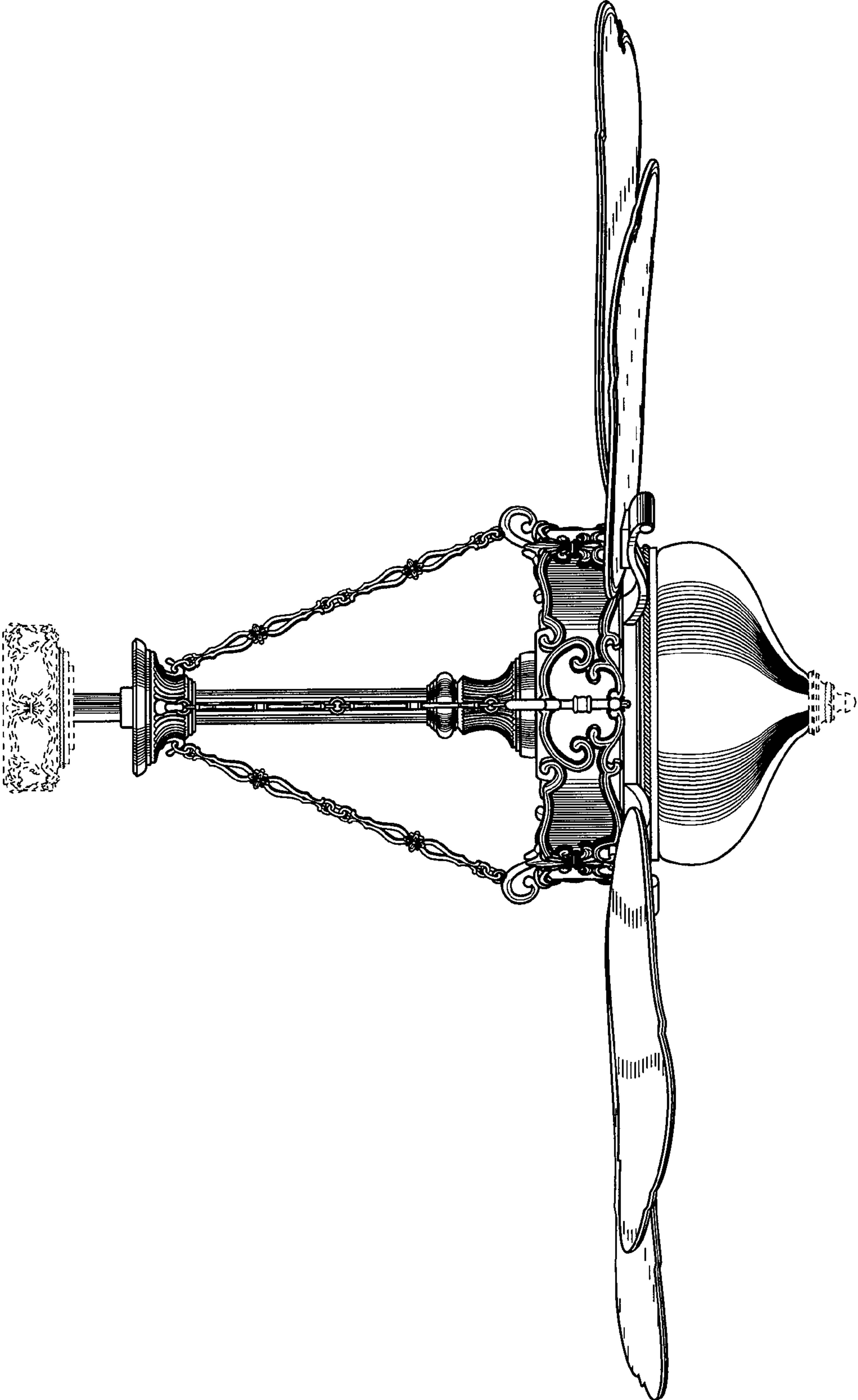


Fig. 4

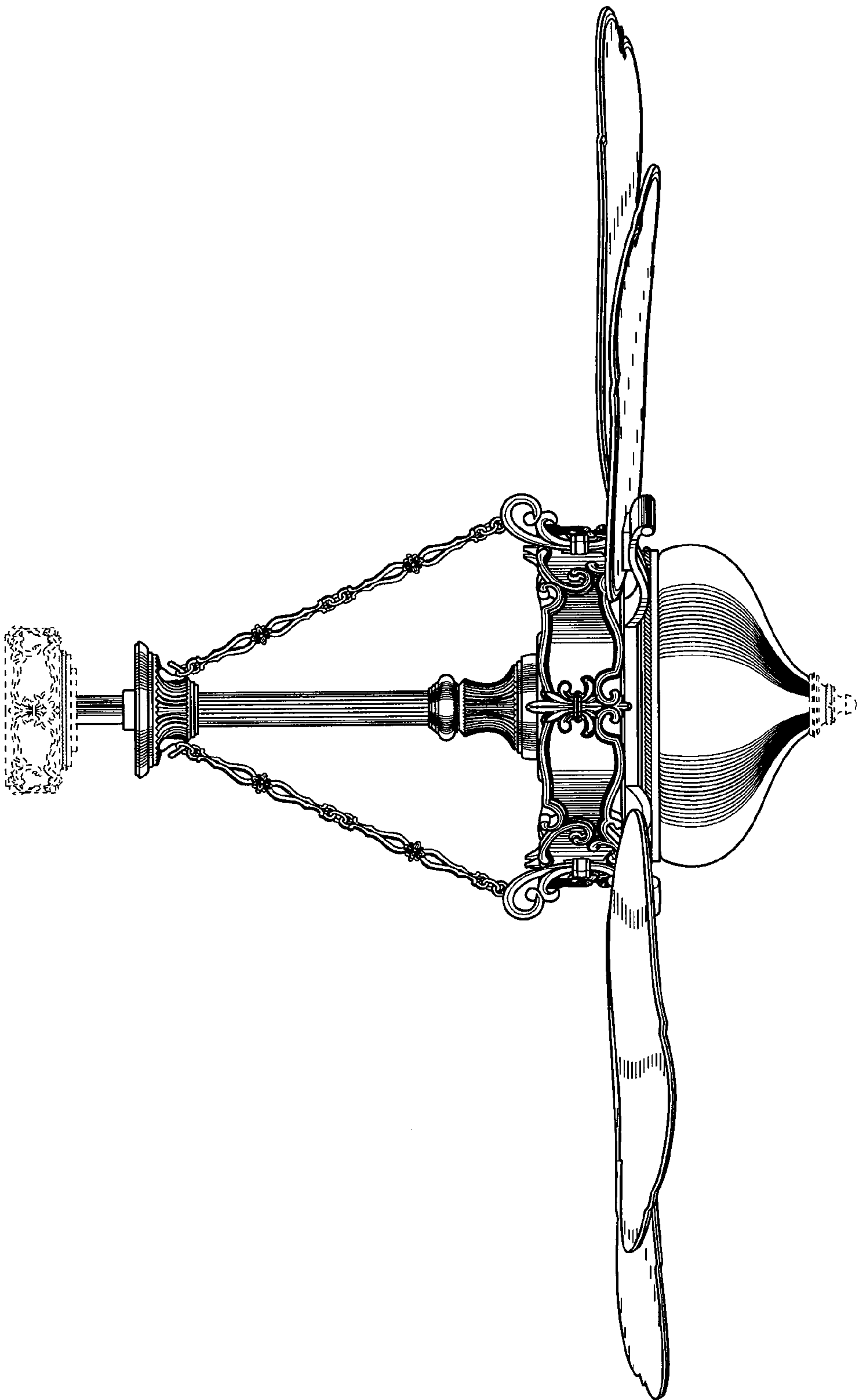


Fig. 5

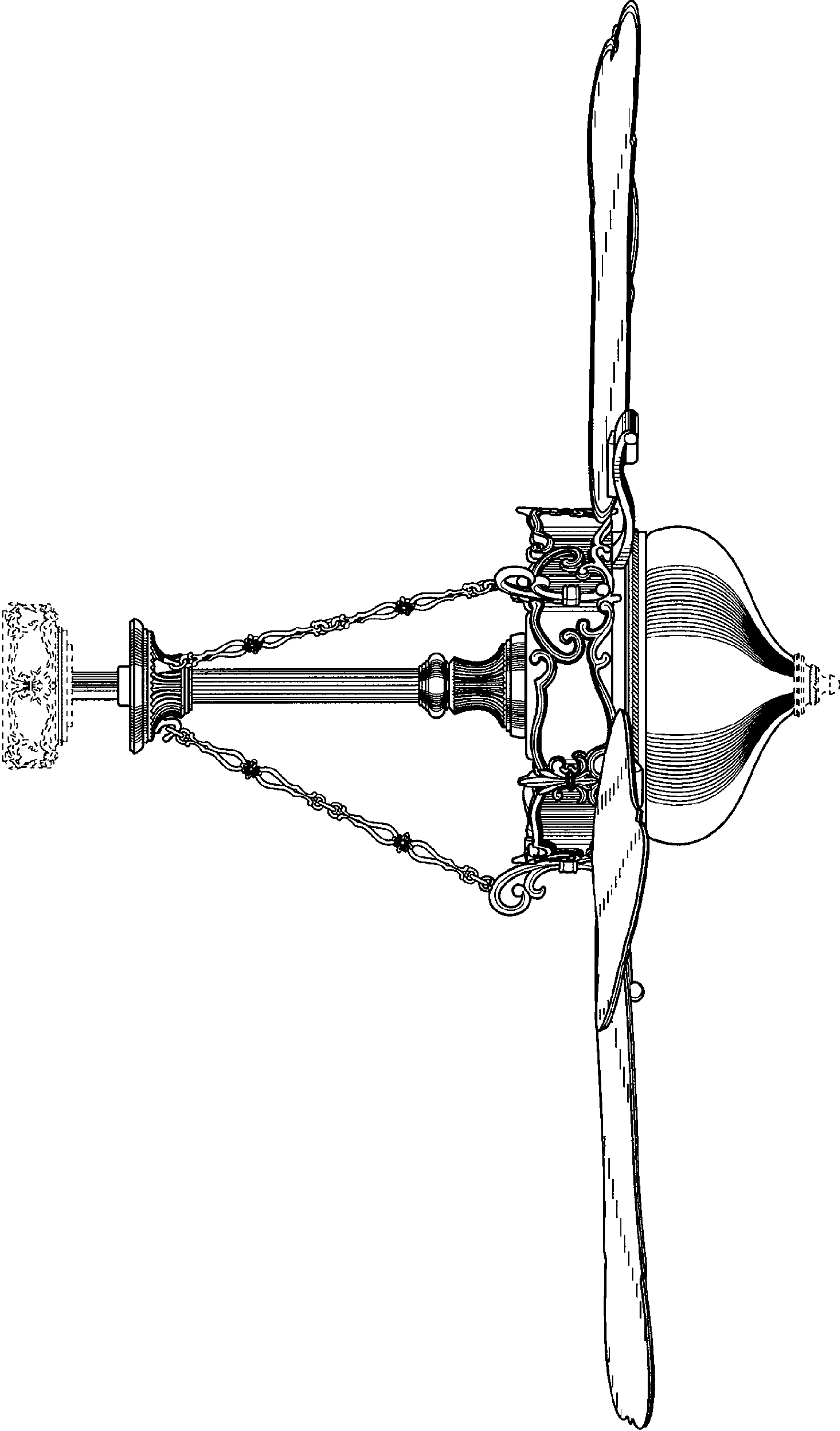


Fig.6