

US00D577423S

(12) **United States Design Patent**
Dole

(10) **Patent No.:** **US D577,423 S**

(45) **Date of Patent:** **** Sep. 23, 2008**

(54) **NOZZLE COUPLING**

(75) Inventor: **Douglas R. Dole**, Whitehouse Station,
NJ (US)

(73) Assignee: **Victaulic Company**, Easton, PA (US)

(**) Term: **14 Years**

(21) Appl. No.: **29/303,126**

(22) Filed: **Feb. 1, 2008**

(51) **LOC (8) Cl.** **23-01**

(52) **U.S. Cl.** **D23/265; D8/396**

(58) **Field of Classification Search** D8/354–356,
D8/371, 376, 394–396, 382, 377, 380; 24/16 R,
24/279, 278, 486, 489, 505, 275, 499, 518,
24/268; 248/49, 62, 74.1–74.4, 73, 58, 72;
285/406, 415; D23/262–265

See application file for complete search history.

(56) **References Cited**

U.S. PATENT DOCUMENTS

D142,057	S *	8/1945	Baxter	D23/265
D189,229	S *	11/1960	Bowne	D23/265
3,006,663	A *	10/1961	Bowne	285/233
3,544,138	A *	12/1970	Von Eiff	285/336
5,653,481	A *	8/1997	Alderman	285/363
D411,440	S *	6/1999	Stahel	D8/396
D414,405	S *	9/1999	Tompkins	D8/396
6,056,332	A *	5/2000	Foster	285/367
D438,783	S *	3/2001	Elliott	D8/396
6,267,037	B1 *	7/2001	McCoy et al.	83/745
6,708,377	B2 *	3/2004	Maunder	24/279

6,908,123	B2 *	6/2005	Le	285/402
D553,971	S *	10/2007	Krueger	D8/396
7,290,805	B2 *	11/2007	Wu	285/365
2002/0109355	A1 *	8/2002	Elliott	285/410

* cited by examiner

Primary Examiner—Louis S Zarfaz

Assistant Examiner—John Windmuller

(74) *Attorney, Agent, or Firm*—Synnestvedt & Lechner LLP

(57) **CLAIM**

I claim the ornamental design for a nozzle coupling, as shown and described.

DESCRIPTION

FIG. 1 is a perspective view of my design for a nozzle coupling;

FIG. 2 is a front view of the design for a nozzle coupling shown in FIG. 1;

FIG. 3 is a rear view of the design for a nozzle coupling shown in FIG. 1;

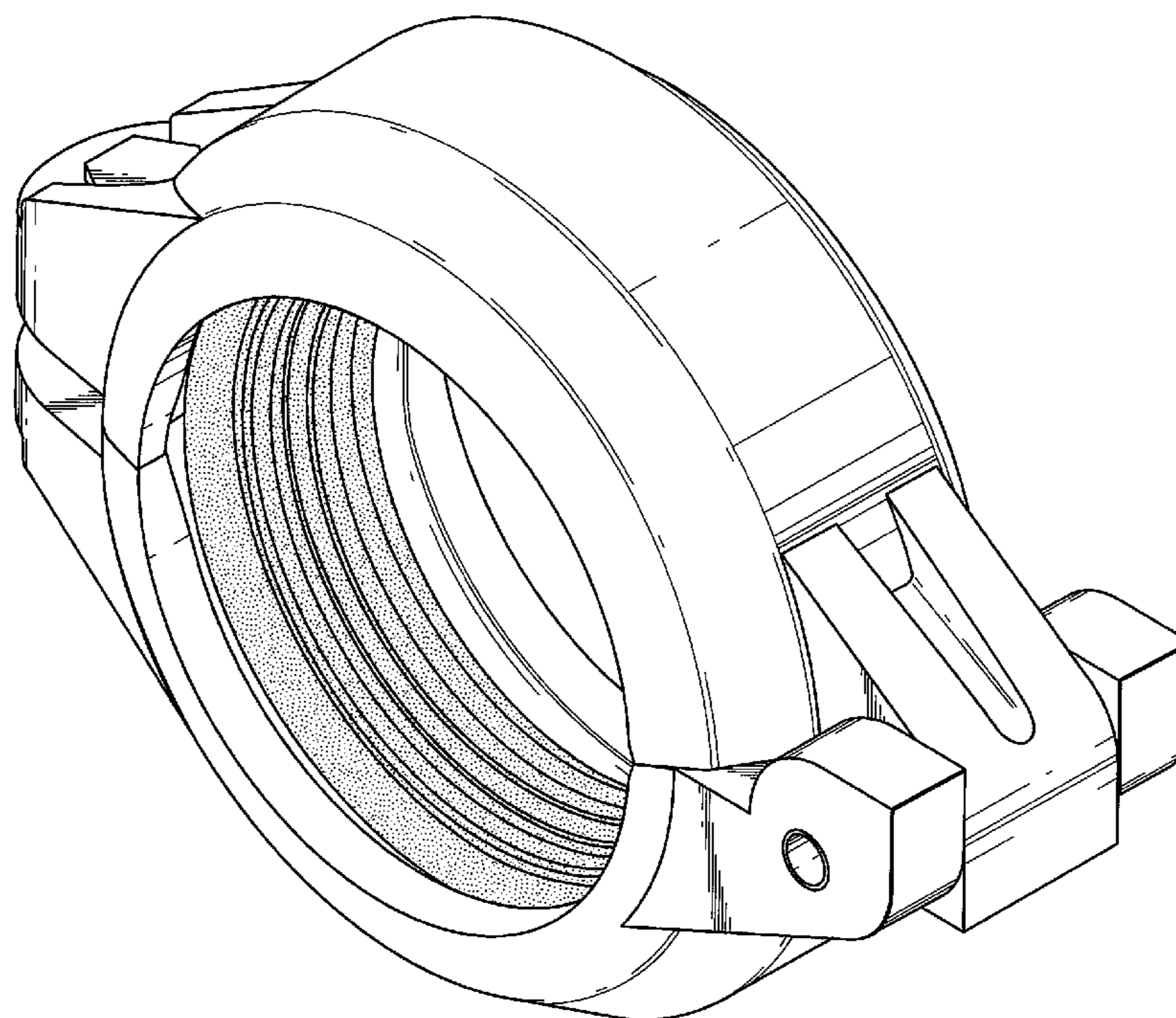
FIG. 4 is a top view of the design for a nozzle coupling shown in FIG. 1;

FIG. 5 is a bottom view of the design for a nozzle coupling shown in FIG. 1;

FIG. 6 is a right side view of the design for a nozzle coupling shown in FIG. 1; and,

FIG. 7 is a left side view of the design for a nozzle coupling shown in FIG. 1.

1 Claim, 3 Drawing Sheets



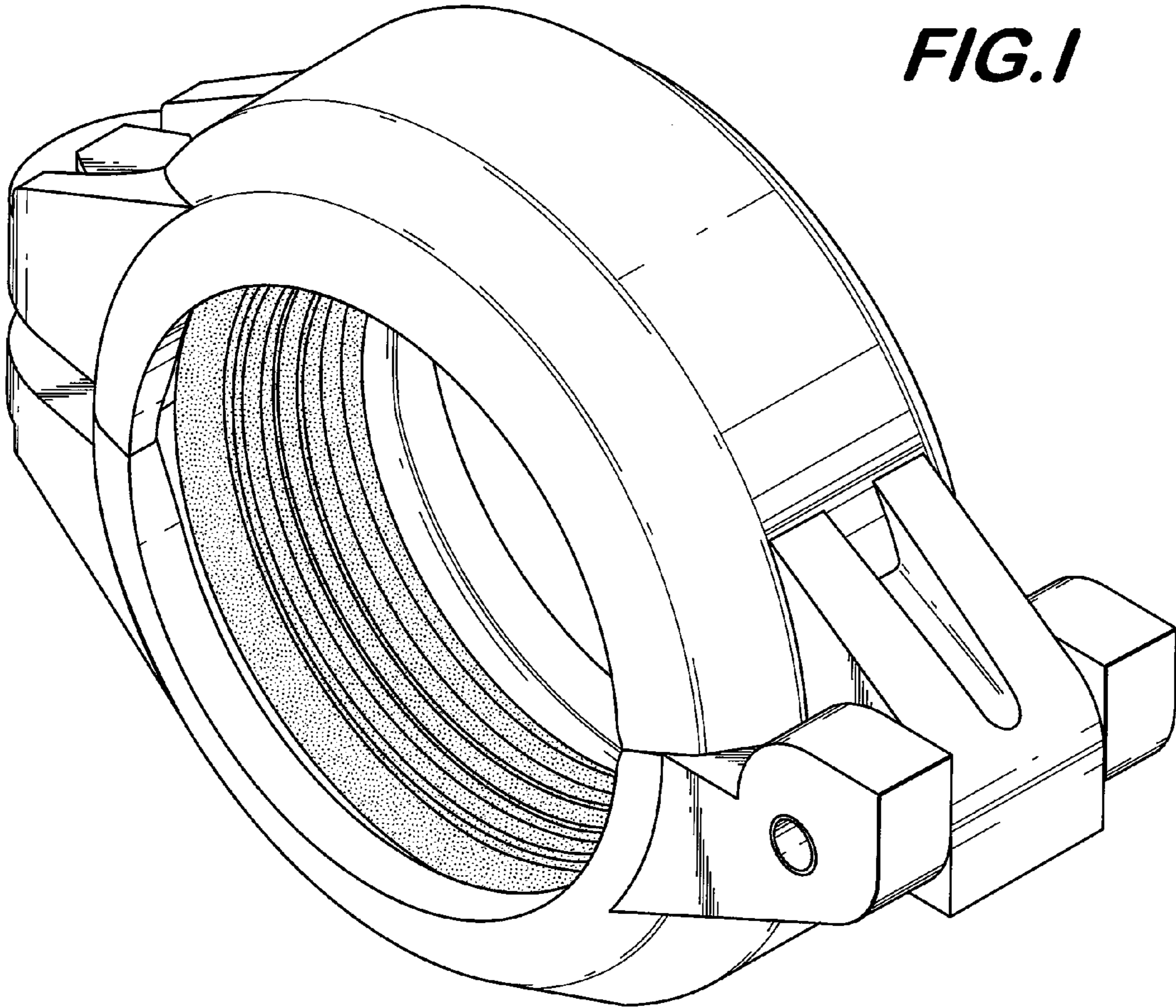


FIG. 1

FIG. 2

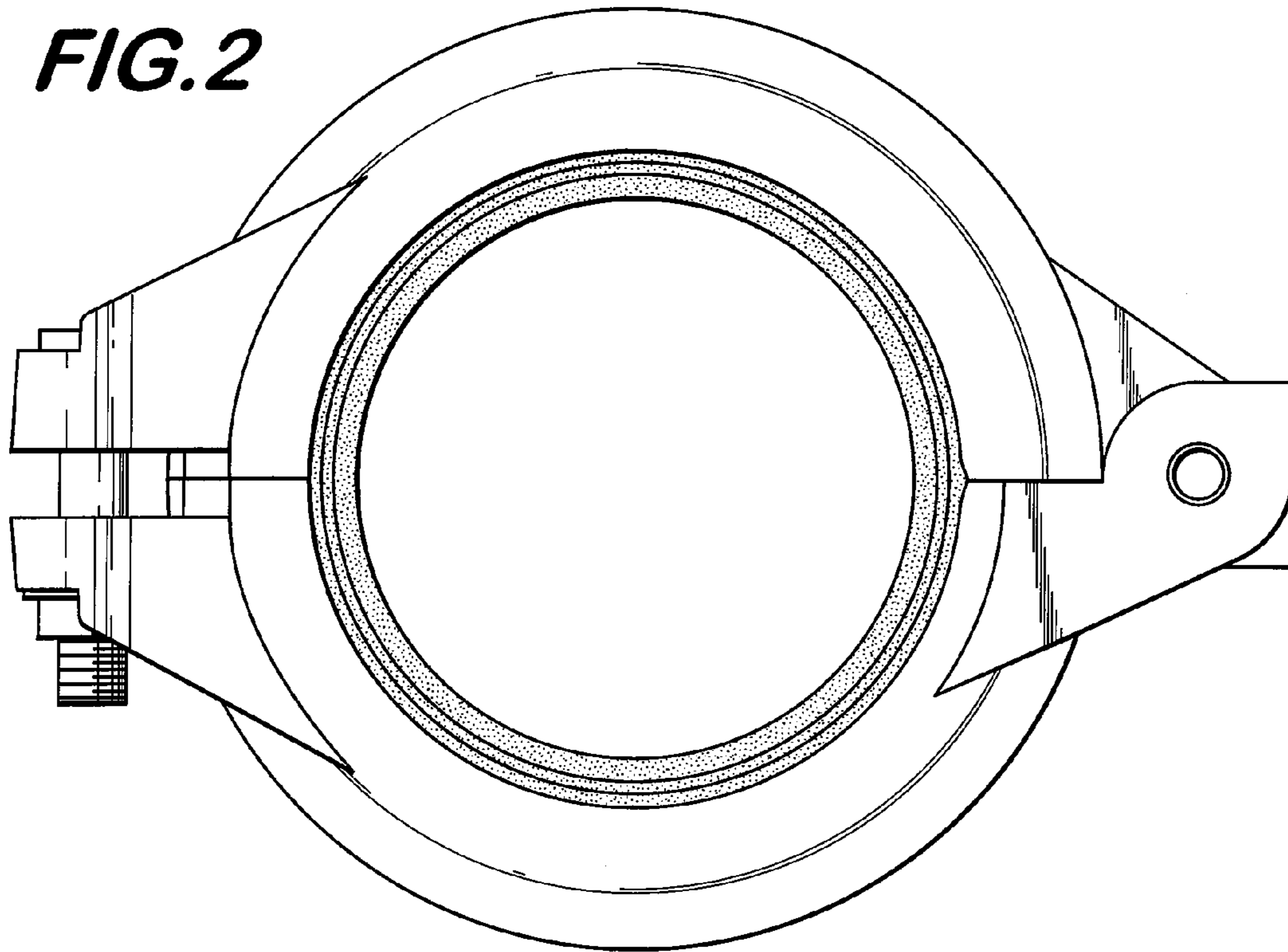


FIG. 3

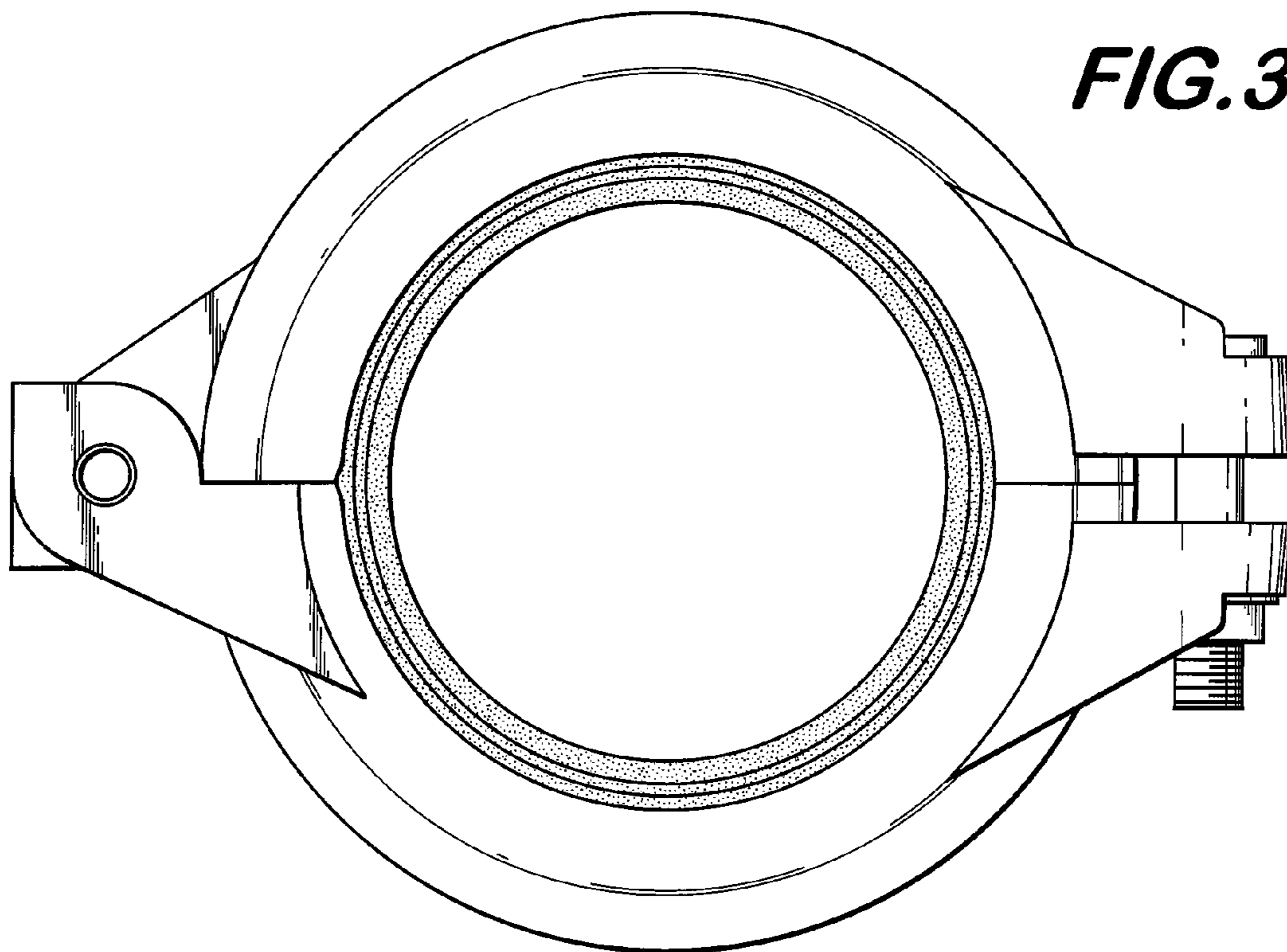


FIG. 4

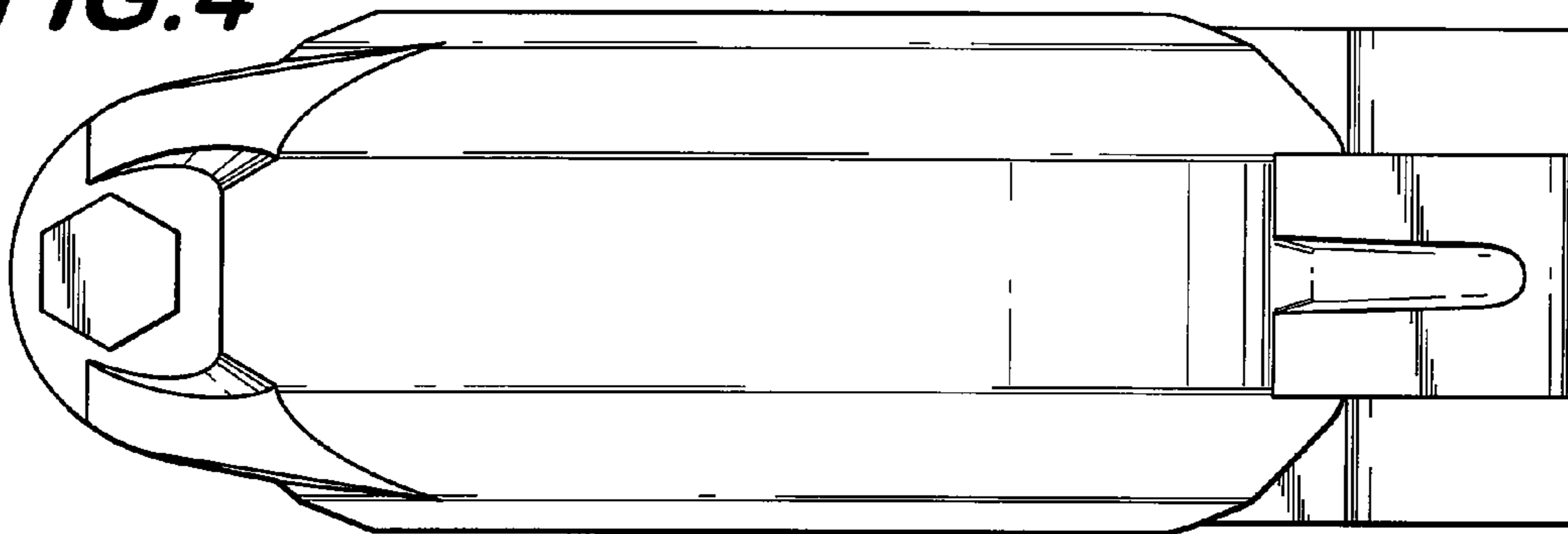


FIG. 5

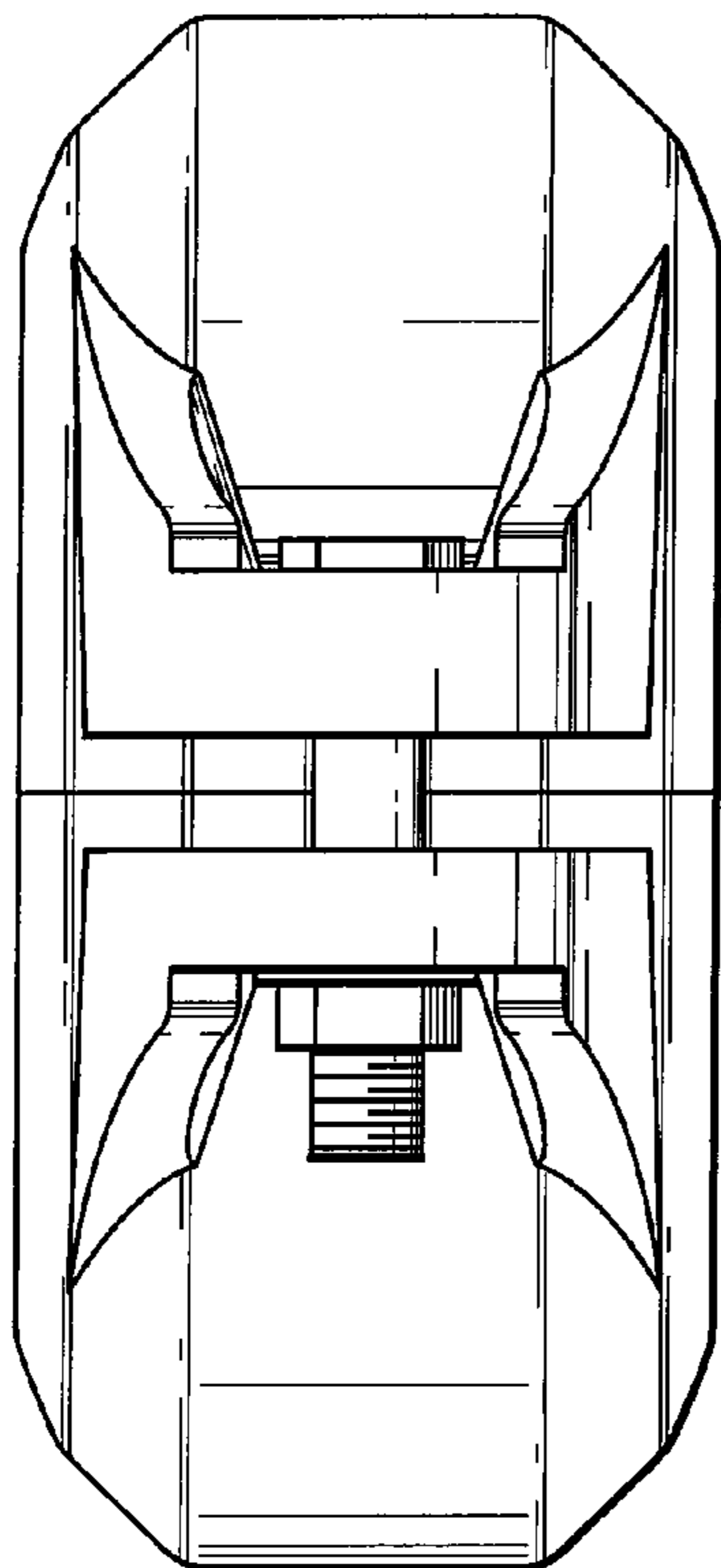
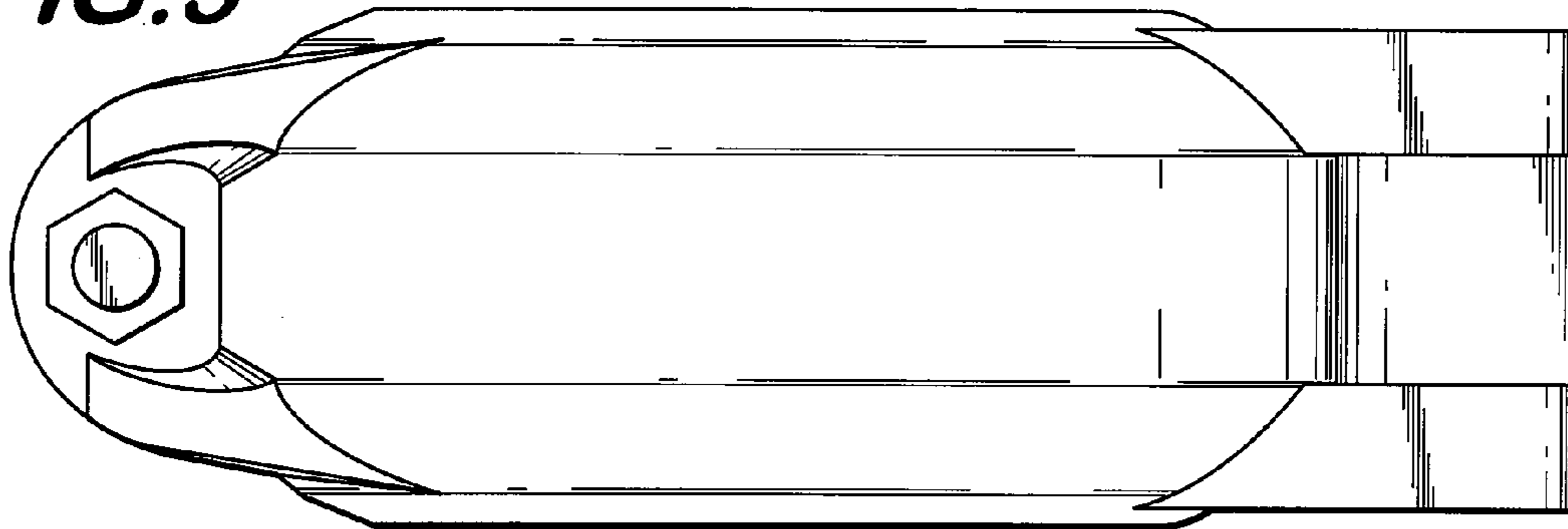


FIG. 6

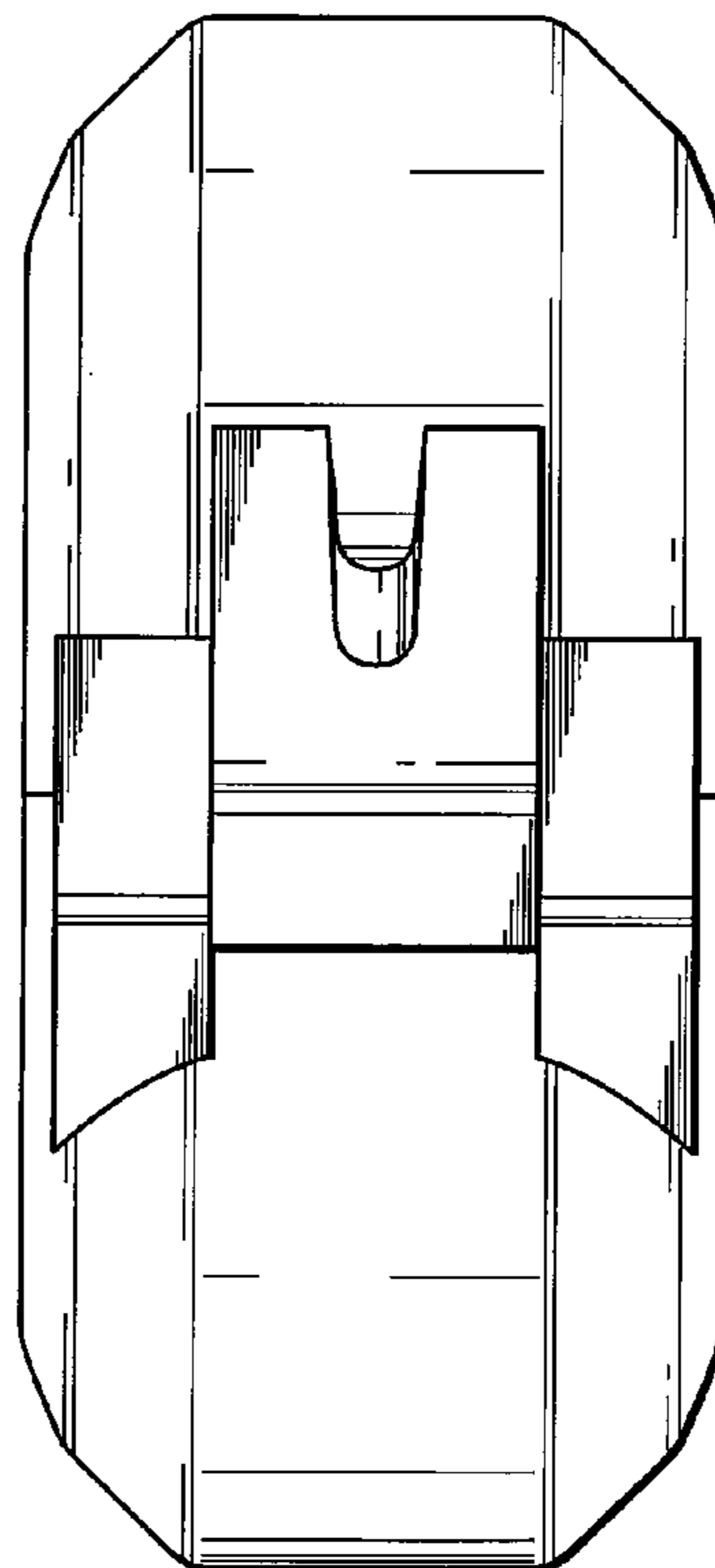


FIG. 7