



US00D577420S

(12) **United States Design Patent**
Corbett et al.

(10) **Patent No.:** **US D577,420 S**
(45) **Date of Patent:** **** Sep. 23, 2008**

(54) **FAUCET**

(75) Inventors: **Jessina Corbett**, Floyds Knobs, IN (US); **Judd A. Lord**, Carmel, IN (US); **Seth A. Fritz**, Indianapolis, IN (US)

(73) Assignee: **Masco Corporation of Indiana**, Indianapolis, IN (US)

(**) Term: **14 Years**

(21) Appl. No.: **29/303,416**

(22) Filed: **Feb. 8, 2008**

(51) **LOC (8) Cl.** **23-01**

(52) **U.S. Cl.** **D23/238; D23/249**

(58) **Field of Classification Search** D23/200,
D23/238-257; D6/512, 546, 550; D8/300,
D8/307-308, 310-312, 321; 4/675-678;
137/801; 16/110.1, 441

See application file for complete search history.

(56) **References Cited**

U.S. PATENT DOCUMENTS

D462,420 S	*	9/2002	Lord	D23/238
D462,743 S	*	9/2002	Lord	D23/238
D462,744 S	*	9/2002	Lord	D23/241
D463,009 S	*	9/2002	Lord	D23/242
D464,710 S	*	10/2002	Lord	D23/238

D465,008 S	*	10/2002	Lord	D23/241
D467,306 S	*	12/2002	Lord	D23/245
D516,178 S	*	2/2006	Shieh	D23/241
D521,602 S	*	5/2006	En-Min et al.	D23/241
D527,799 S	*	9/2006	Schaffeld et al.	D23/249
D534,624 S	*	1/2007	Koury et al.	D23/238

* cited by examiner

Primary Examiner—Loius Zarfaz

Assistant Examiner—Mark Cavanna

(74) *Attorney, Agent, or Firm*—Leon E. Redman; Lloyd D. Doigan

(57) **CLAIM**

The ornamental design for a faucet, as shown and described.

DESCRIPTION

FIG. 1 is a front perspective view of a faucet showing our new design;

FIG. 2 is a left side elevational view thereof;

FIG. 3 is a right side elevational view thereof;

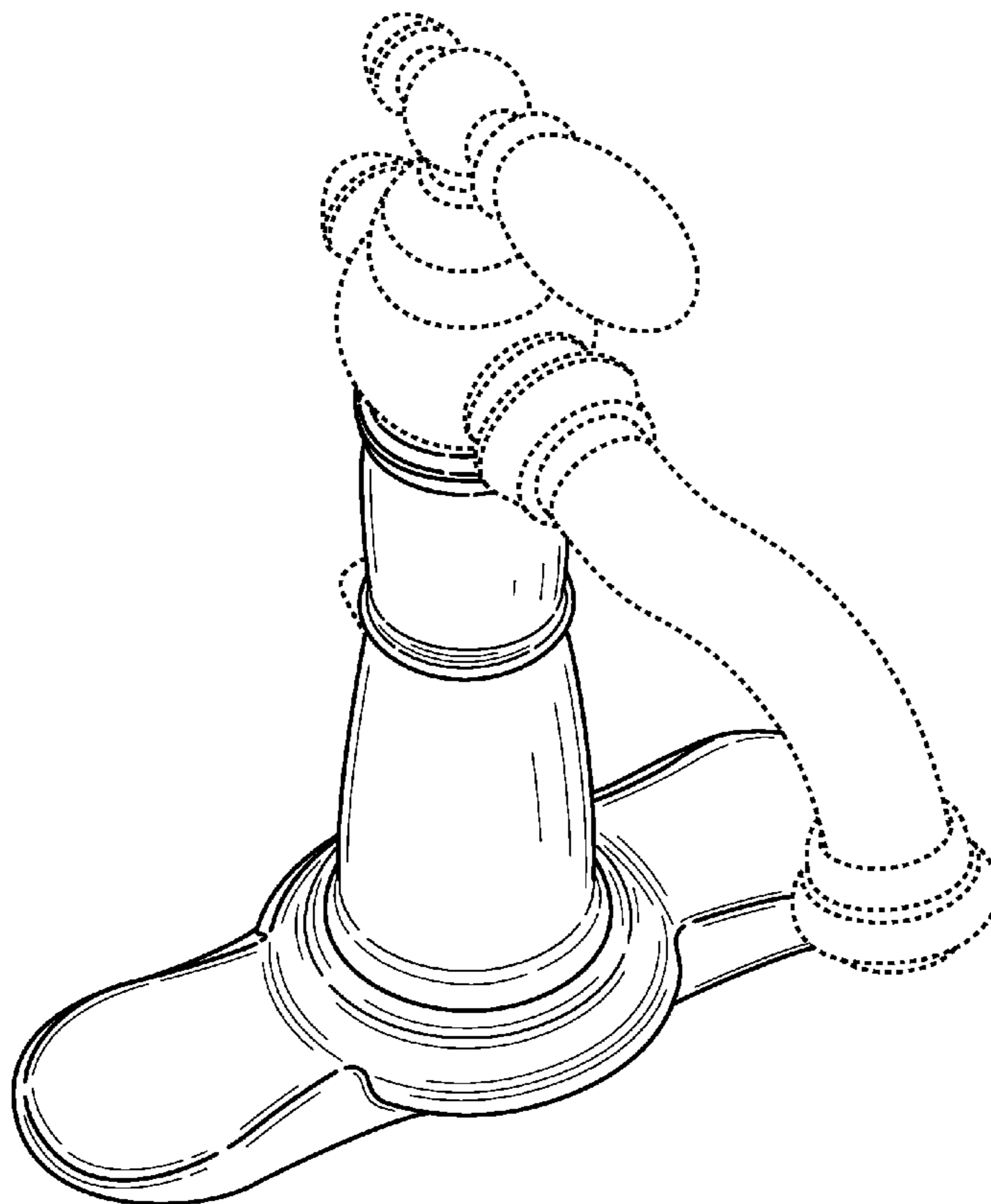
FIG. 4 is a front elevational view thereof;

FIG. 5 is a top plan view thereof; and,

FIG. 6 is a rear elevational view thereof.

The broken lines in the Figures are for illustrative purposes only and form no part of the claimed design.

1 Claim, 6 Drawing Sheets



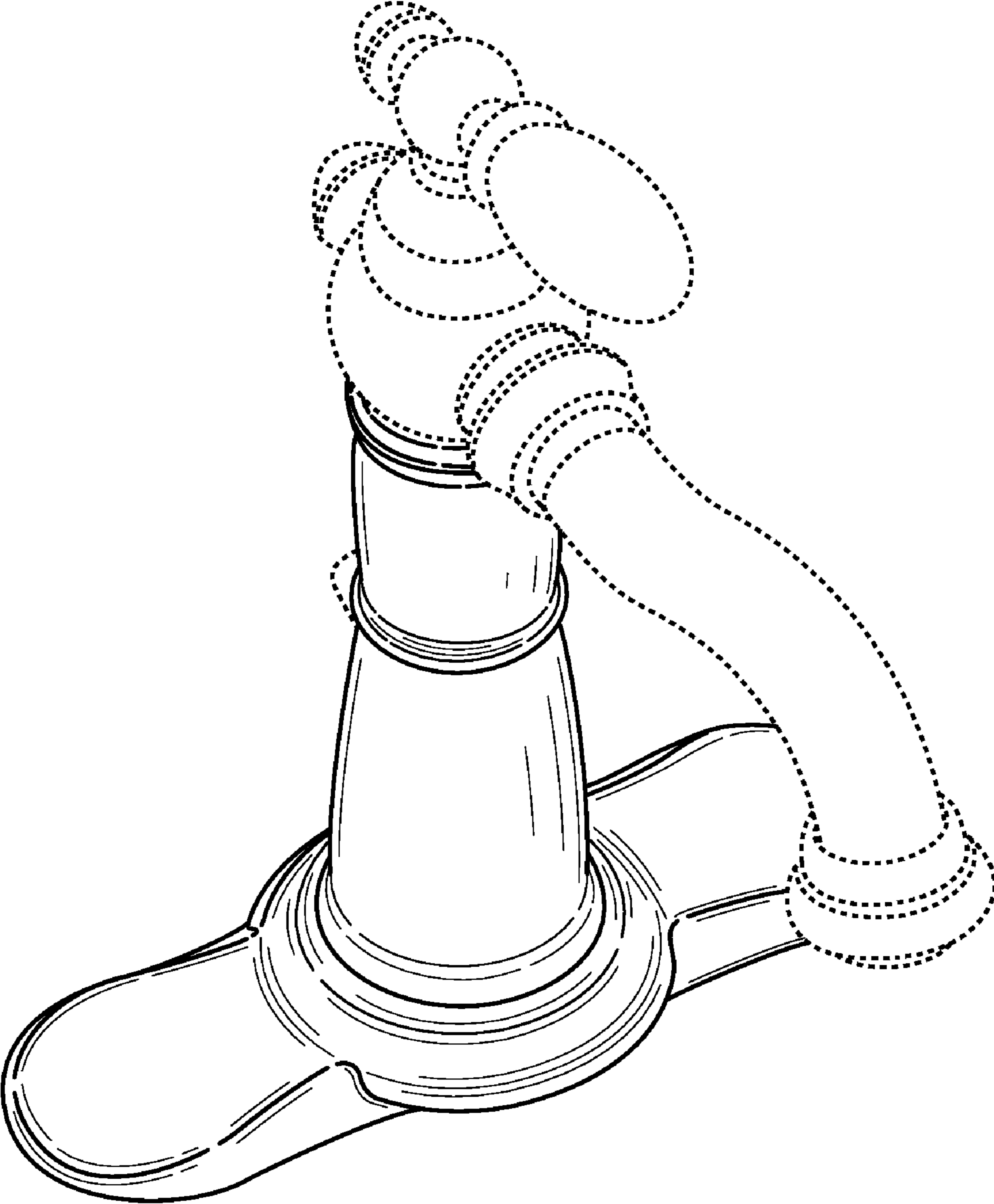


FIG. 1

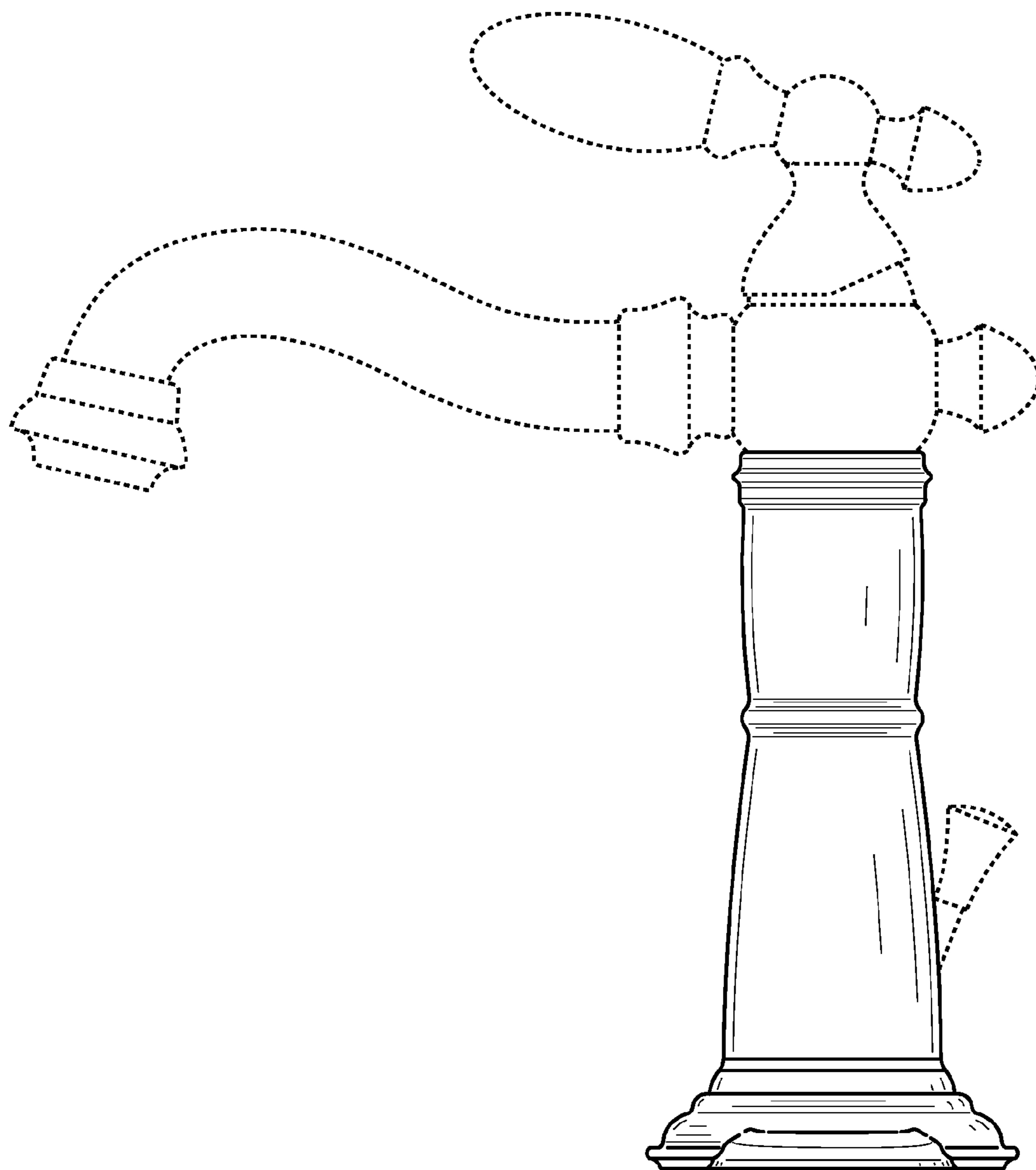


FIG. 2

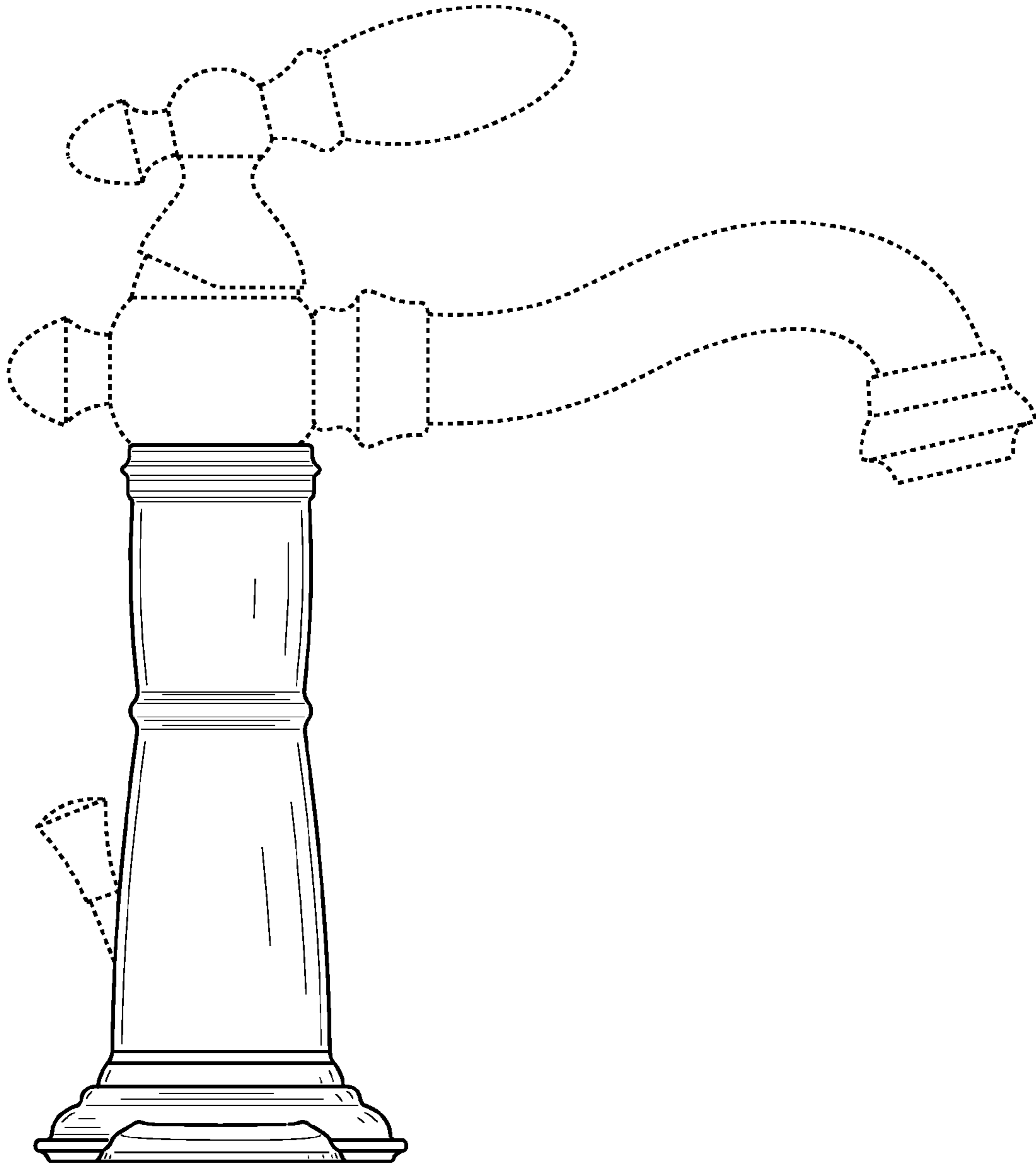


FIG. 3

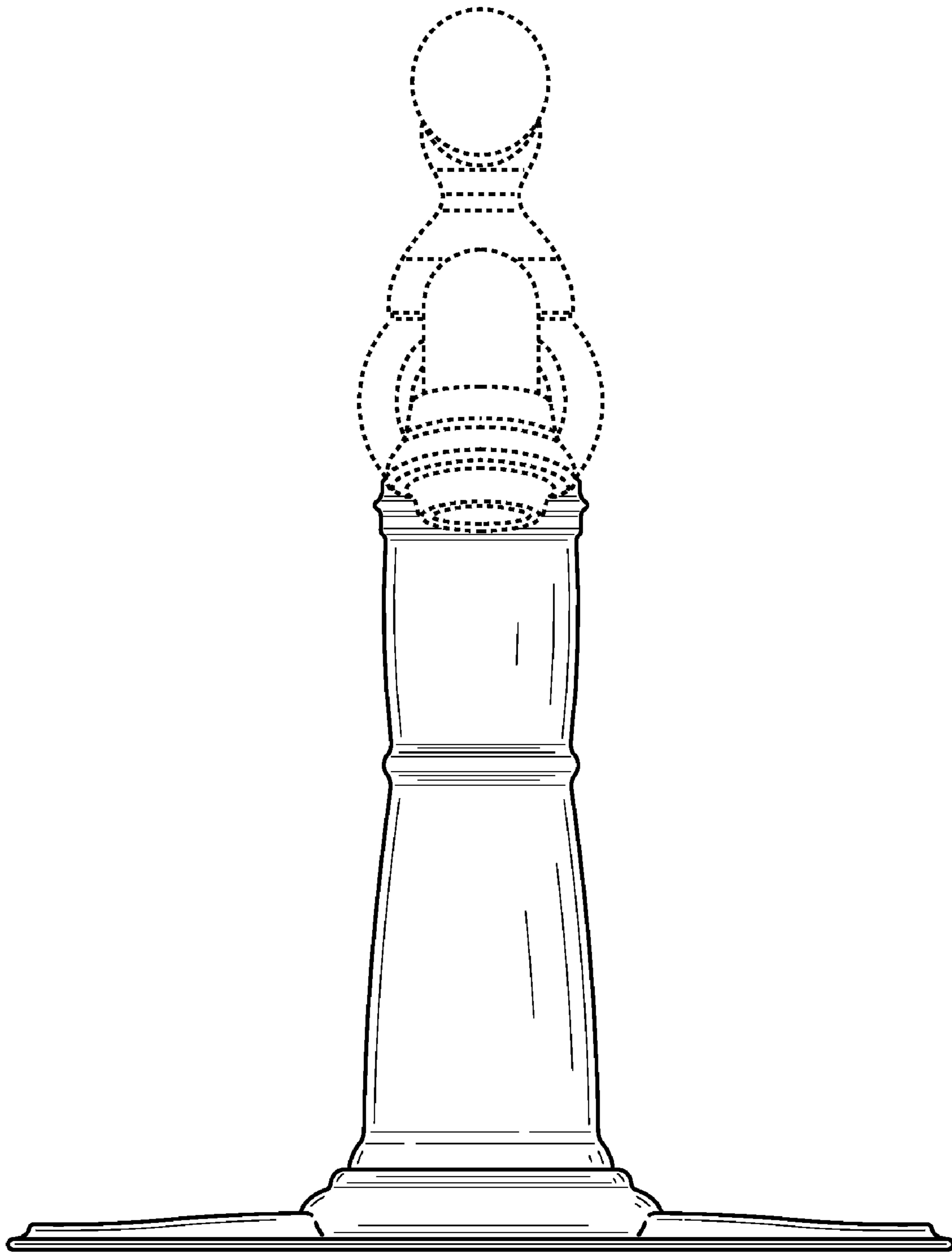


FIG. 4

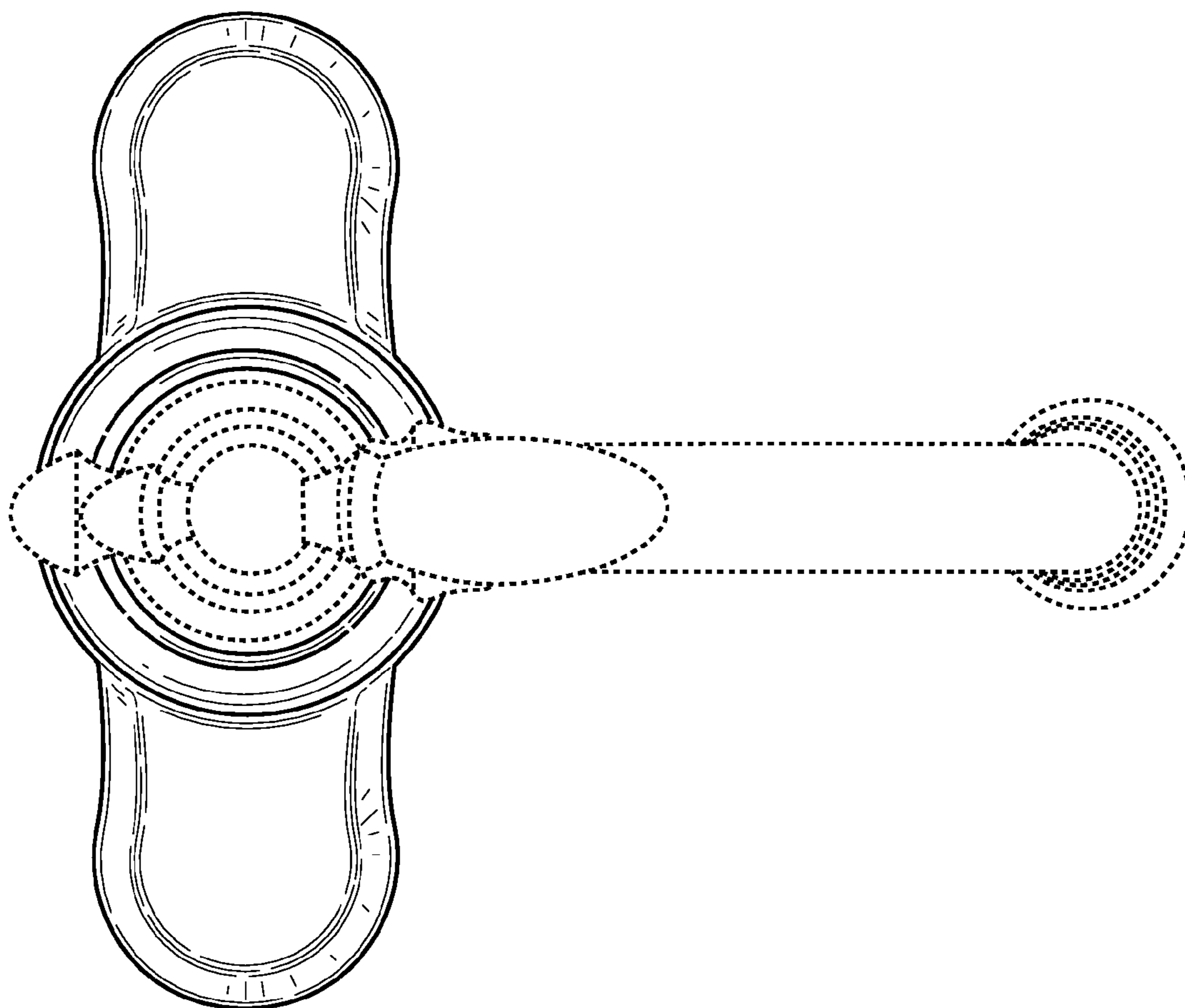


FIG. 5

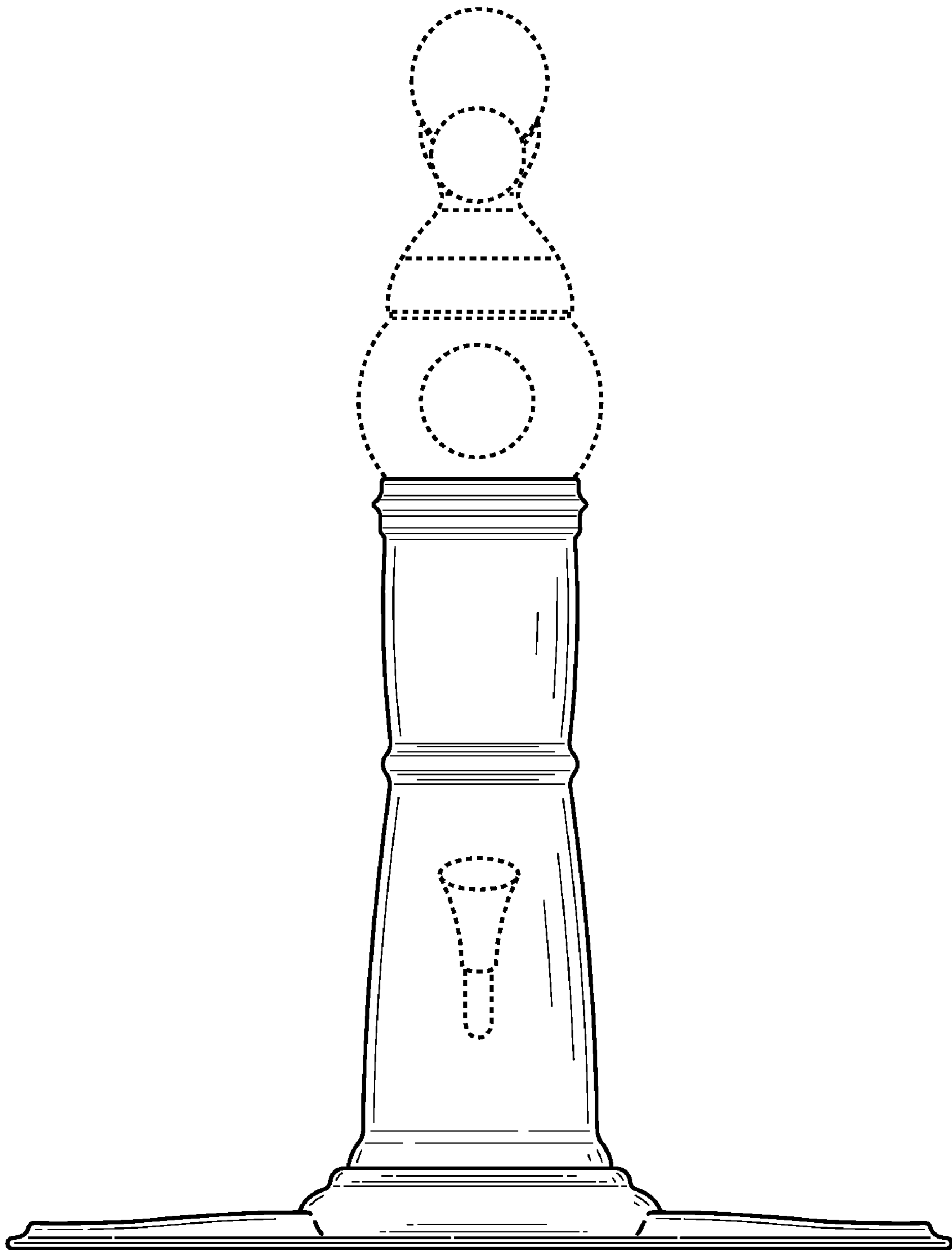


FIG. 6