



US00D577419S

(12) **United States Design Patent**
Urquiola

(10) **Patent No.:** **US D577,419 S**
(45) **Date of Patent:** **** Sep. 23, 2008**

(54) **FAUCET ASSEMBLY**

(75) Inventor: **Patricia Urquiola**, Milan (IT)

(73) Assignee: **Hansgrohe AG** (DE)

(**) Term: **14 Years**

(21) Appl. No.: **29/283,893**

(22) Filed: **Aug. 27, 2007**

(30) **Foreign Application Priority Data**

Feb. 28, 2007 (DE) 4 07 01 257

(51) **LOC (8) Cl.** **23-01**

(52) **U.S. Cl.** **D23/238**

(58) **Field of Classification Search** D23/200,
D23/238-257; D6/512, 546, 550; D8/300,
D8/307-308, 310-312, 321; 4/675-678;
137/801; 16/110.1, 441

See application file for complete search history.

(56) **References Cited**

U.S. PATENT DOCUMENTS

D313,065 S * 12/1990 Strignano D23/242
D512,125 S * 11/2005 Kulig D23/238
D517,169 S * 3/2006 Ogata et al. D23/238
D527,794 S * 9/2006 Sieger D23/238
D534,245 S * 12/2006 Egli et al. D23/238
D534,619 S * 1/2007 Garner D23/238
D535,358 S * 1/2007 Demmer et al. D23/238

D540,917 S * 4/2007 Kikuchi D23/242
D541,906 S * 5/2007 Qing D23/238
D546,922 S * 7/2007 Demmer et al. D23/238
D548,308 S * 8/2007 Hoernig D23/238
D553,714 S * 10/2007 Demmer et al. D23/238
D556,863 S * 12/2007 Demmer et al. D23/235

* cited by examiner

Primary Examiner—Louis Zarfaz

Assistant Examiner—Mark Cavanna

(74) *Attorney, Agent, or Firm*—Leon E. Redman; Lloyd D. Doigan

(57) **CLAIM**

The ornamental design for a faucet assembly, as shown and described.

DESCRIPTION

FIG. 1 is a front perspective view of a faucet assembly showing my design;

FIG. 2 is a front elevational view thereof;

FIG. 3 is a rear elevational view thereof;

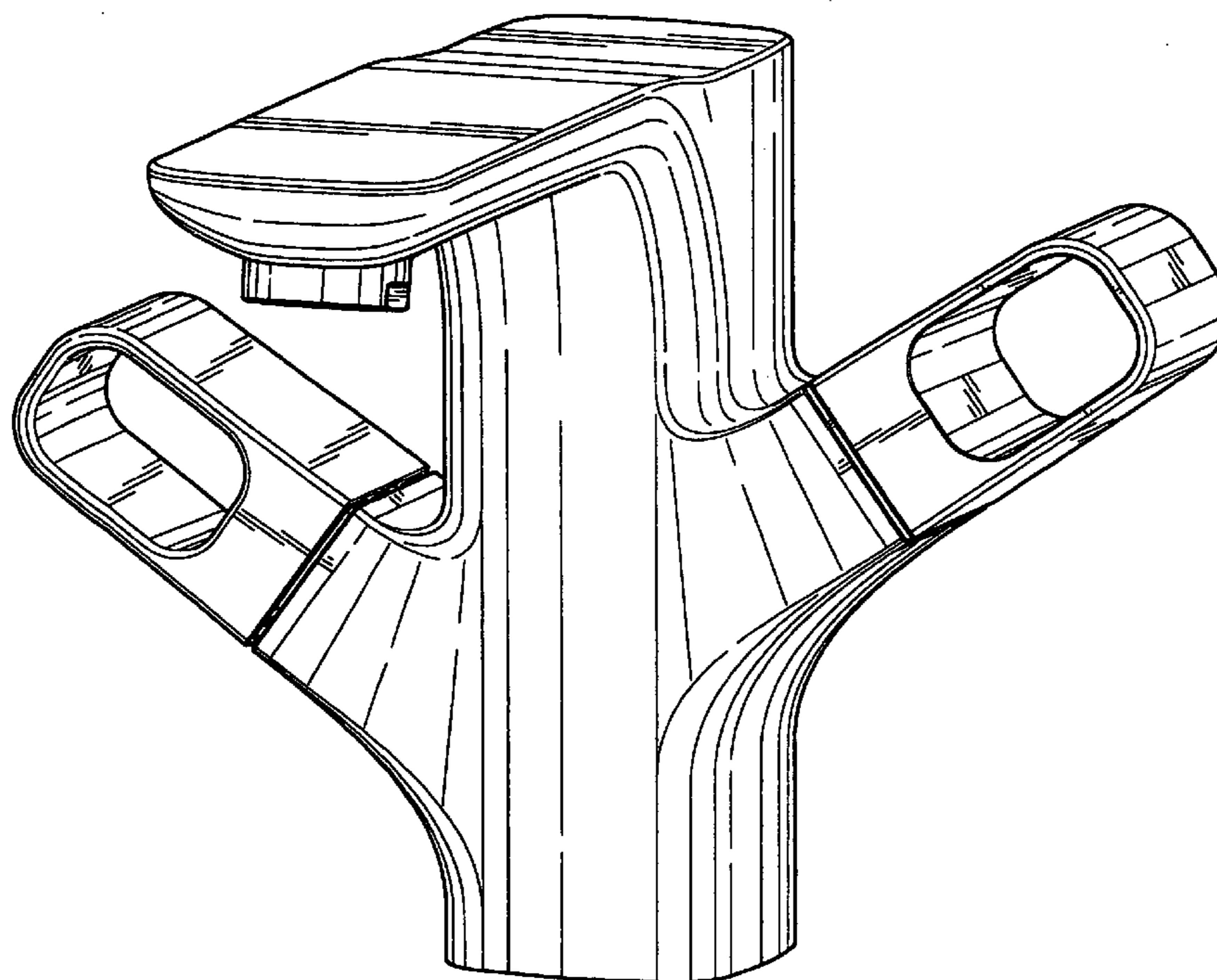
FIG. 4 is a left side elevational view thereof;

FIG. 5 is a right side elevational view thereof; and,

FIG. 6 is a top plan view thereof.

The broken lines in the figures are included for the purpose of illustrating portions of the faucet assembly that forms no part of the claimed design.

1 Claim, 6 Drawing Sheets



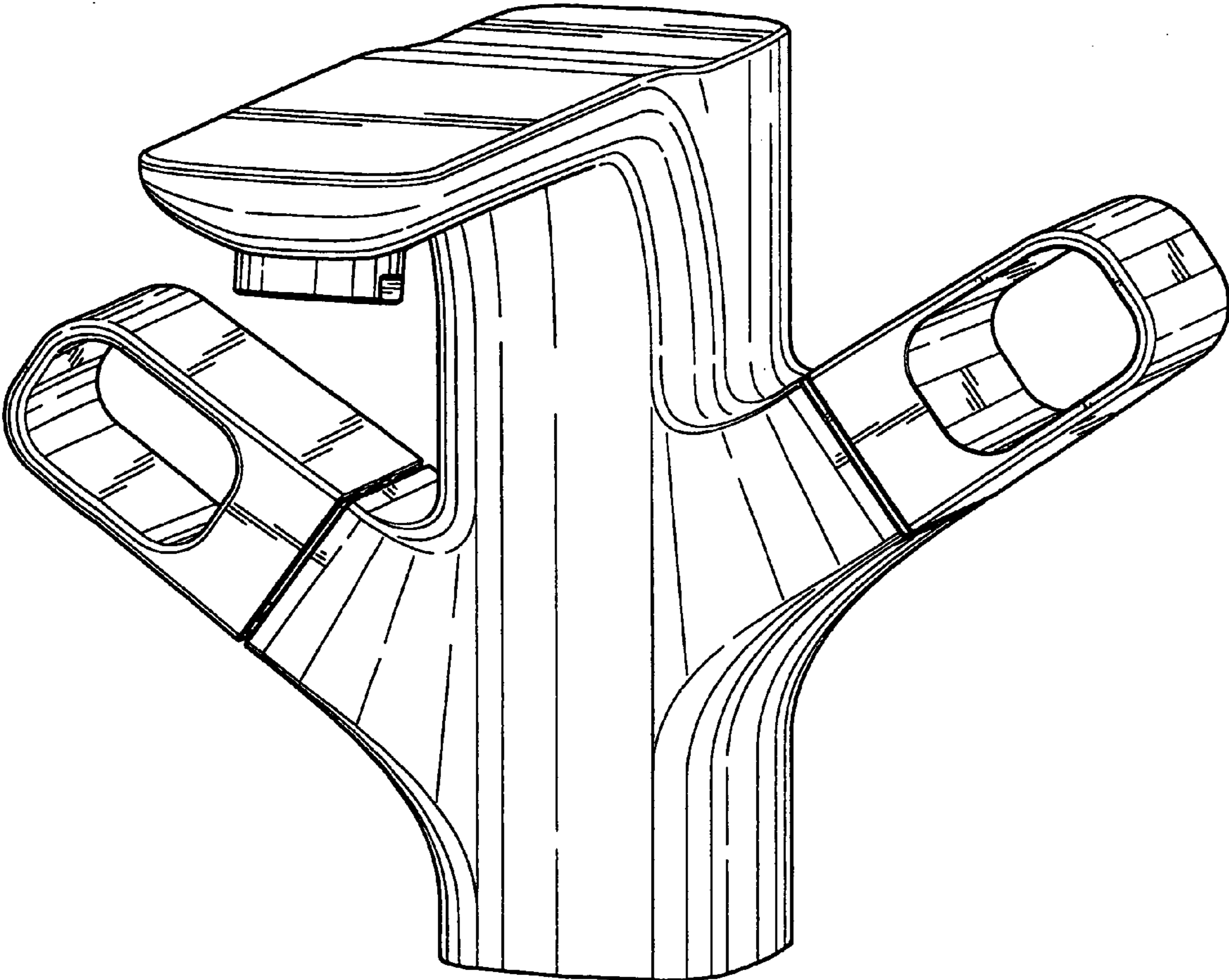


FIG. 1

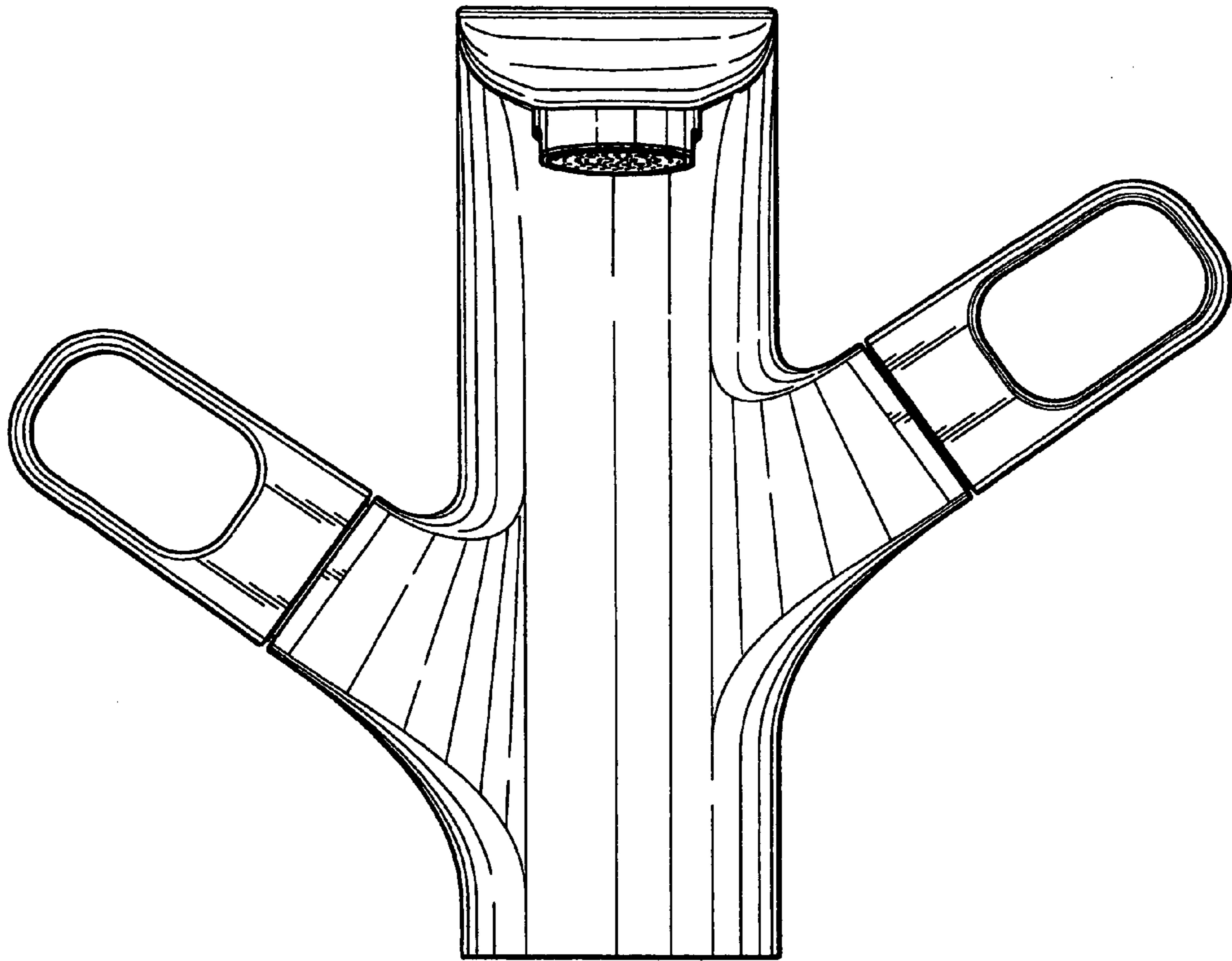


FIG. 2

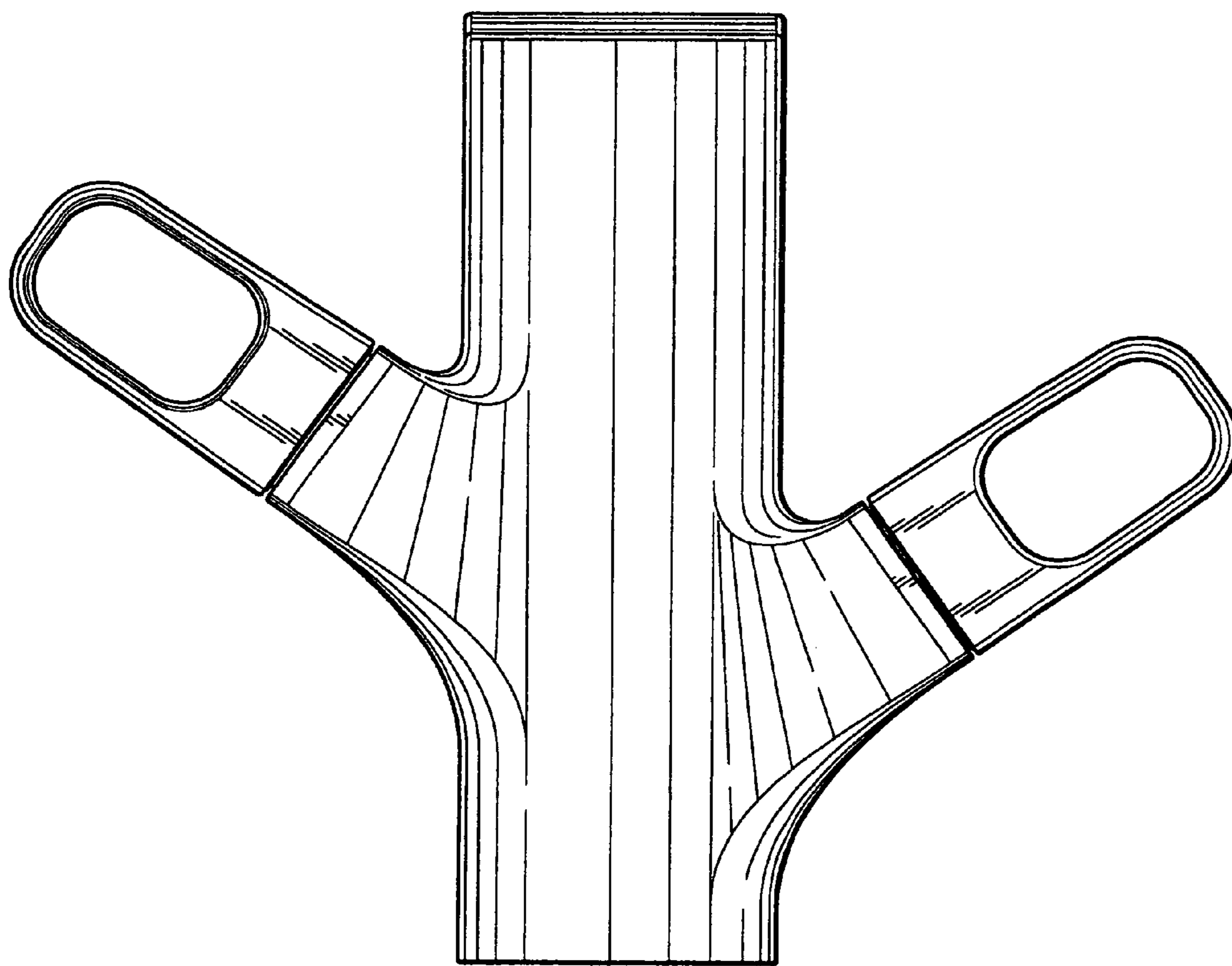


FIG. 3

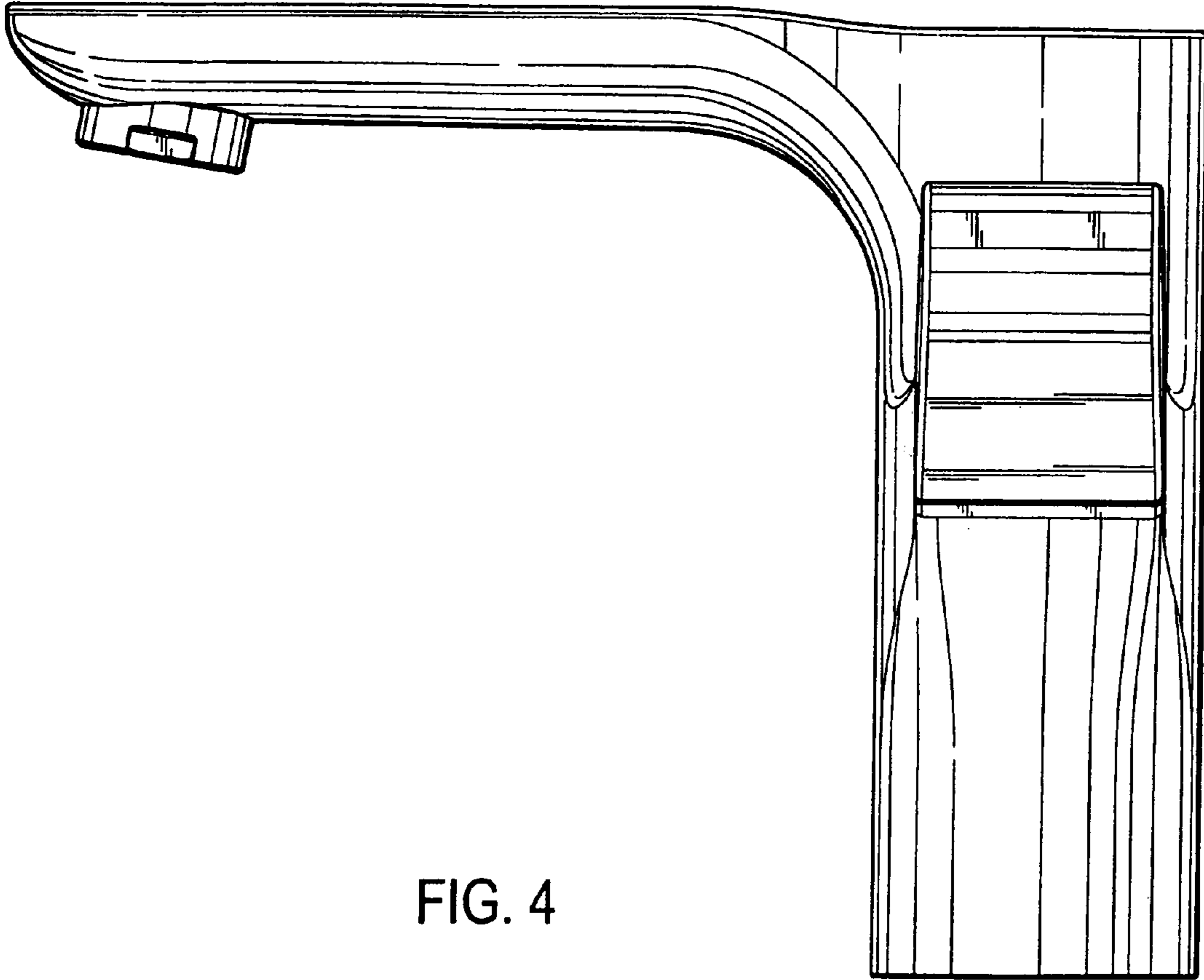


FIG. 4

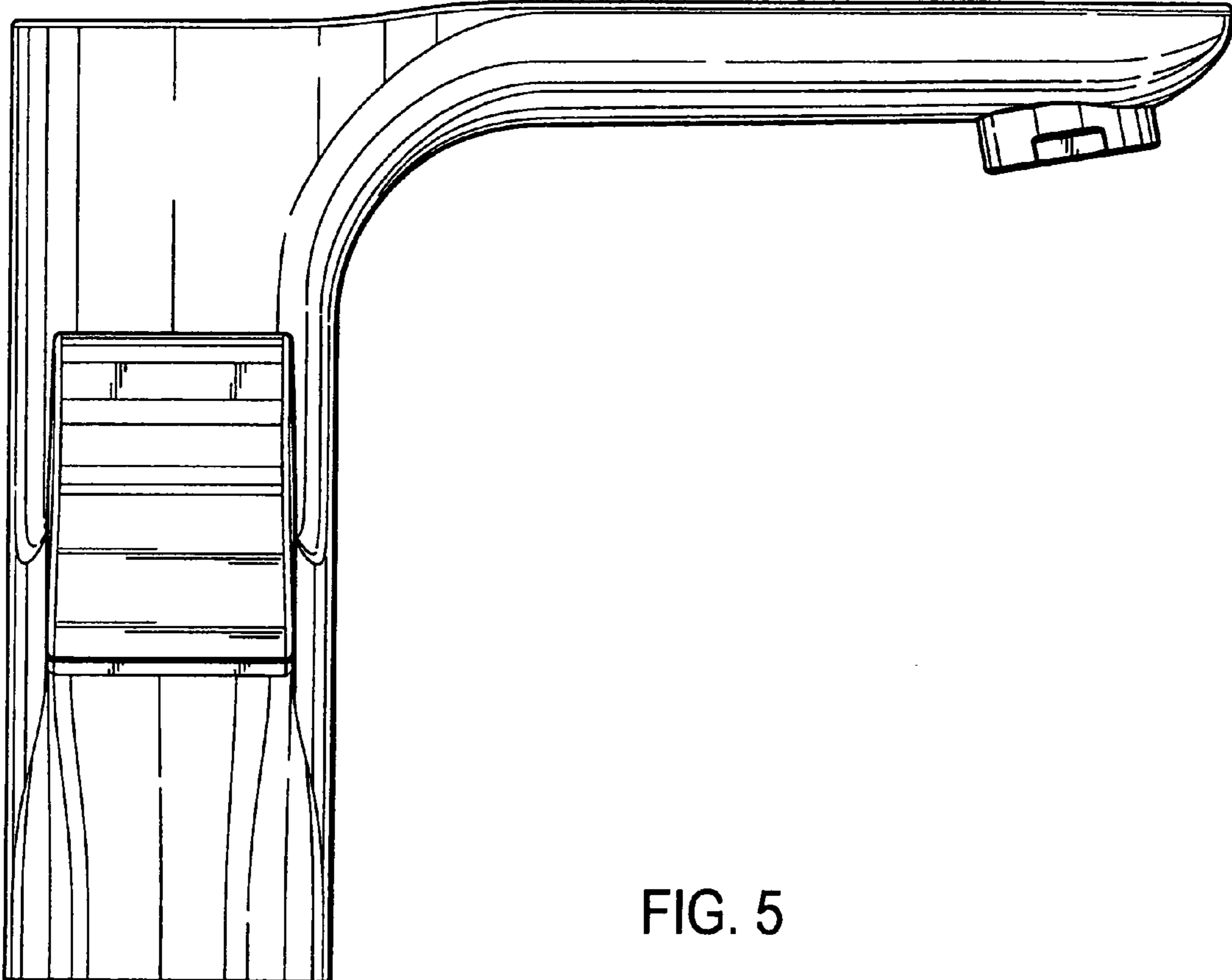


FIG. 5

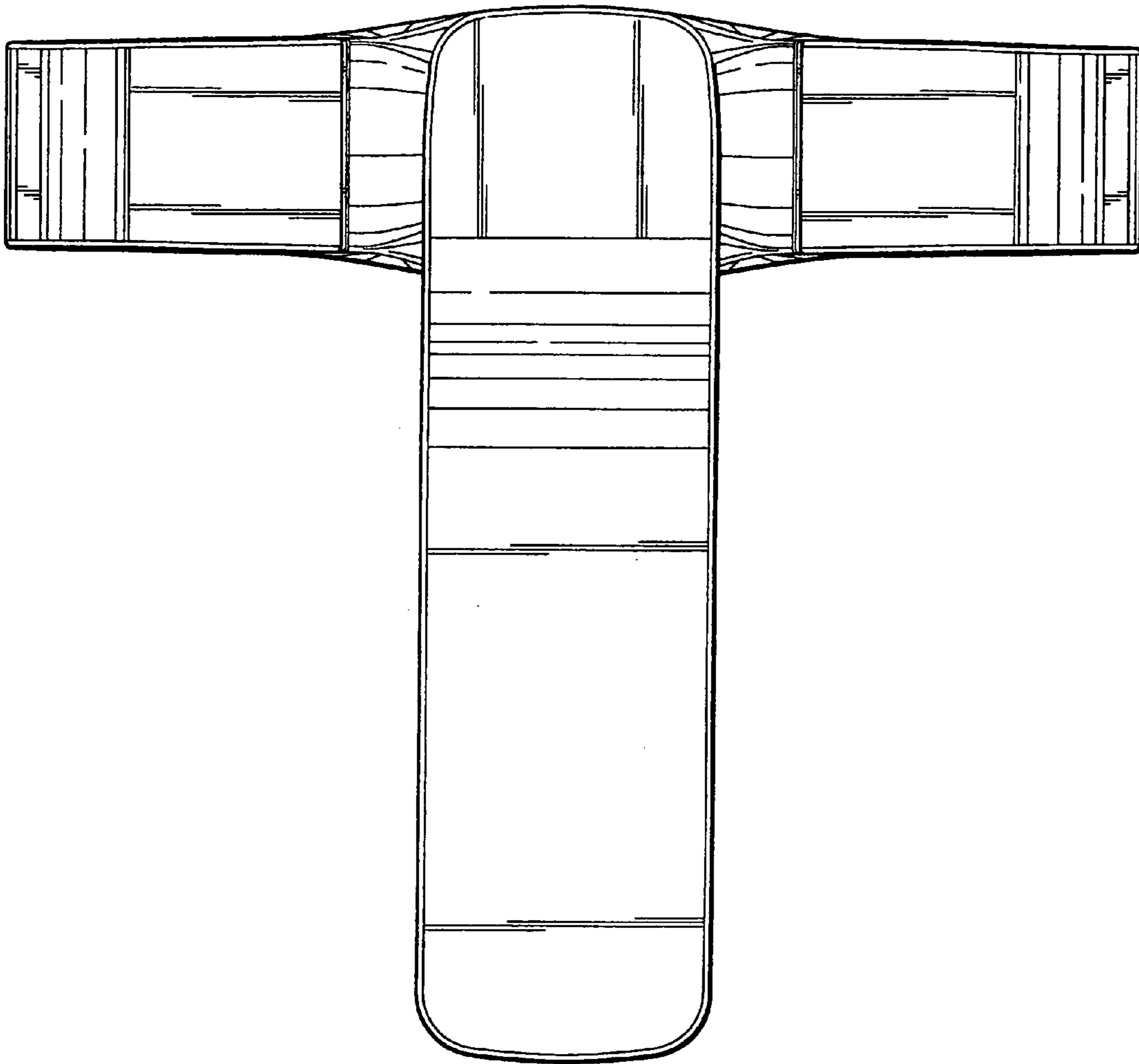


FIG. 6