



US00D577416S

(12) **United States Design Patent**  
**Büttgen**

(10) **Patent No.:** **US D577,416 S**

(45) **Date of Patent:** **\*\* Sep. 23, 2008**

(54) **SANITARY INSTALLATION**

(75) **Inventor:** **Heinz Büttgen**, Bad Krozingen (DE)

(73) **Assignee:** **Neoperl GmbH**, Mullheim (DE)

(\*\*) **Term:** **14 Years**

(21) **Appl. No.:** **29/270,549**

(22) **Filed:** **Dec. 27, 2006**

(30) **Foreign Application Priority Data**

Jul. 3, 2006 (EM) ..... 000554217

(51) **LOC (8) Cl.** ..... **23-01**

(52) **U.S. Cl.** ..... **D23/213**

(58) **Field of Classification Search** ..... D23/213,  
D23/249, 257, 259, 260-269; 239/428.5;  
261/DIG. 22; D8/396; 285/1, 112, 179,  
285/340, 367, 373, 404, 53, 915; 4/675-678;  
403/291, 300; 411/5, 10; 137/801

See application file for complete search history.

(56) **References Cited**

**U.S. PATENT DOCUMENTS**

2,382,066 A \* 8/1945 Klein ..... D23/229  
D235,772 S \* 7/1975 Saporait ..... D23/213  
D286,319 S \* 10/1986 Mathis ..... D23/261  
4,789,103 A \* 12/1988 Ruhnke ..... 239/428.5  
5,467,929 A \* 11/1995 Bosio ..... 239/428.5  
D379,851 S \* 6/1997 Mathison ..... D23/260  
5,769,326 A \* 6/1998 Muchenberger et al. . 239/428.5

6,029,912 A \* 2/2000 Woolley ..... 239/428.5  
6,126,093 A \* 10/2000 Grether et al. .... 239/428.5  
6,322,004 B1 \* 11/2001 Perdreau et al. .... 239/428.5  
6,513,731 B2 \* 2/2003 Griffin et al. .... 239/394  
6,892,964 B2 \* 5/2005 Grether et al. .... 239/428.5  
D537,916 S \* 3/2007 Buttgen ..... D23/213  
D570,966 S \* 6/2008 Gilligan ..... D23/260  
D571,898 S \* 6/2008 Gilligan ..... D23/260  
2004/0074992 A1 \* 4/2004 Fleischmann ..... 239/428.5  
2006/0011748 A1 \* 1/2006 Ferrari ..... 239/428.5  
2006/0102750 A1 \* 5/2006 Grether ..... 239/428.5  
2006/0273203 A1 \* 12/2006 Denzler ..... 239/428.5

\* cited by examiner

*Primary Examiner*—Louis S Zarfaz

*Assistant Examiner*—Michael A Pratt

(74) *Attorney, Agent, or Firm*—Volpe and Koenig, P.C.

(57) **CLAIM**

The ornamental design for a sanitary installation, as shown and described.

**DESCRIPTION**

FIG. 1 is a top perspective view of a sanitary installation showing my new design;

FIG. 2 is a bottom perspective view thereof;

FIG. 3 is a top plan view thereof;

FIG. 4 is a front elevational view thereof;

FIG. 5 is a side elevational view thereof; and,

FIG. 6 is a bottom plan view thereof.

**1 Claim, 3 Drawing Sheets**

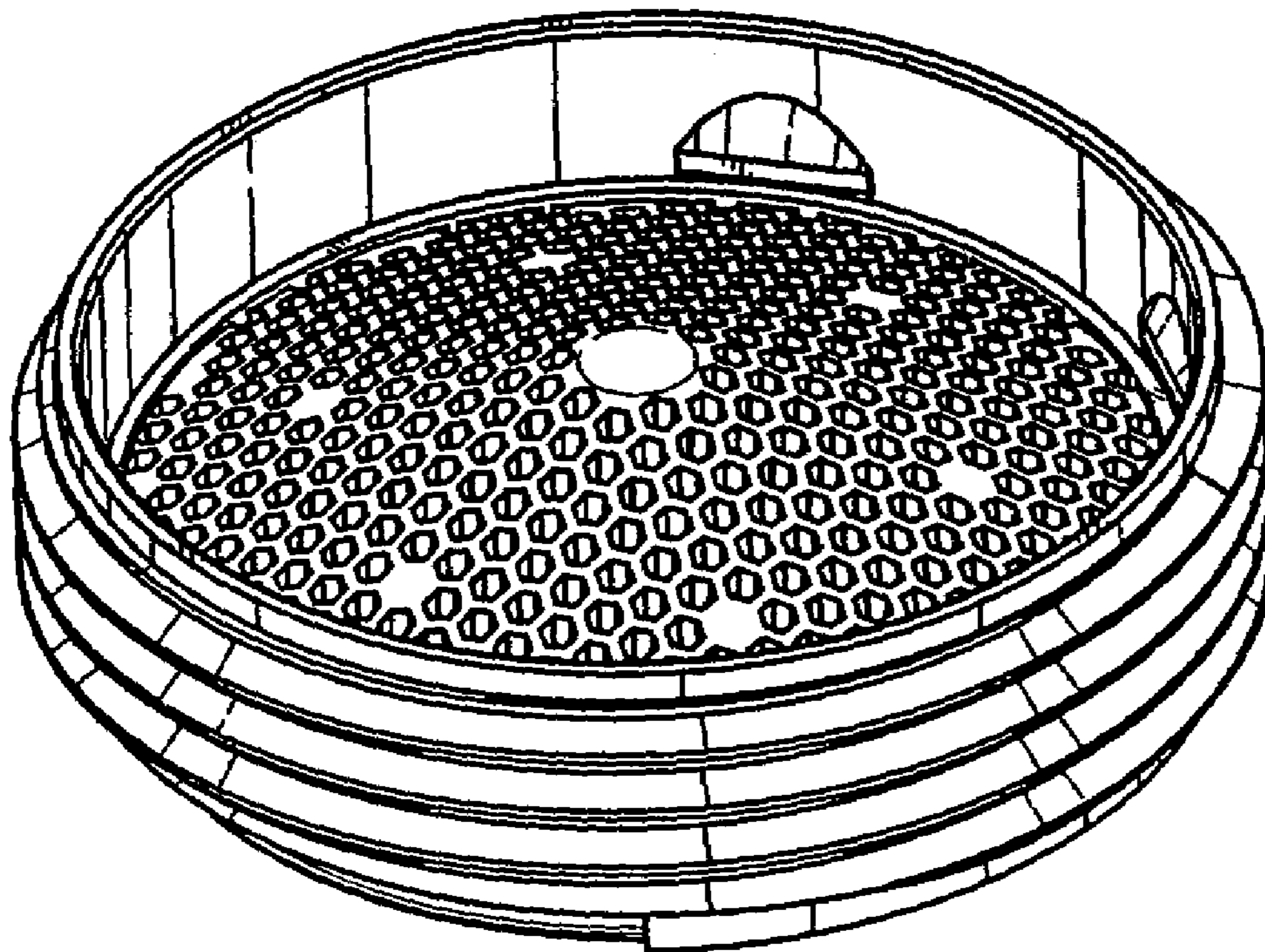


FIG. 1

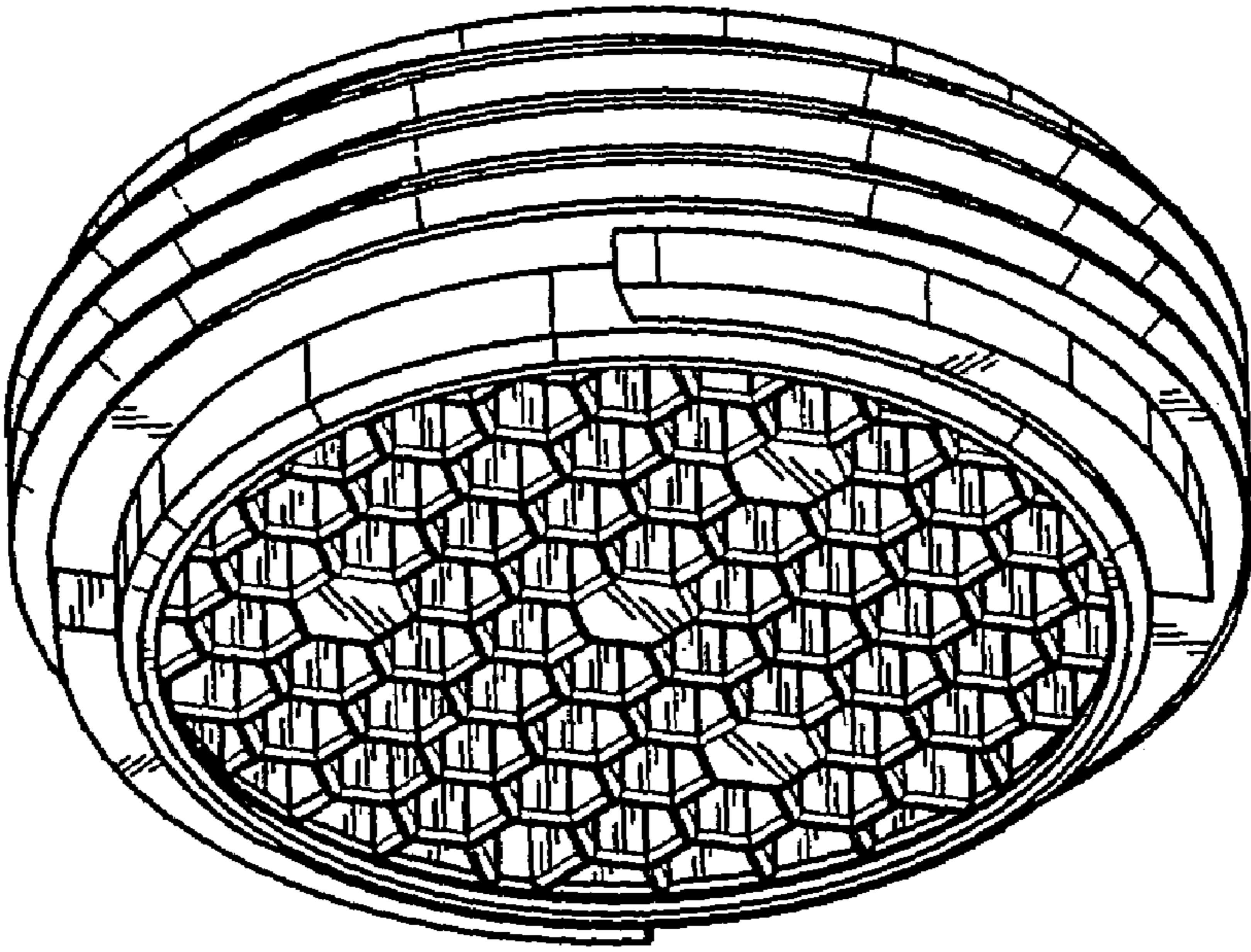
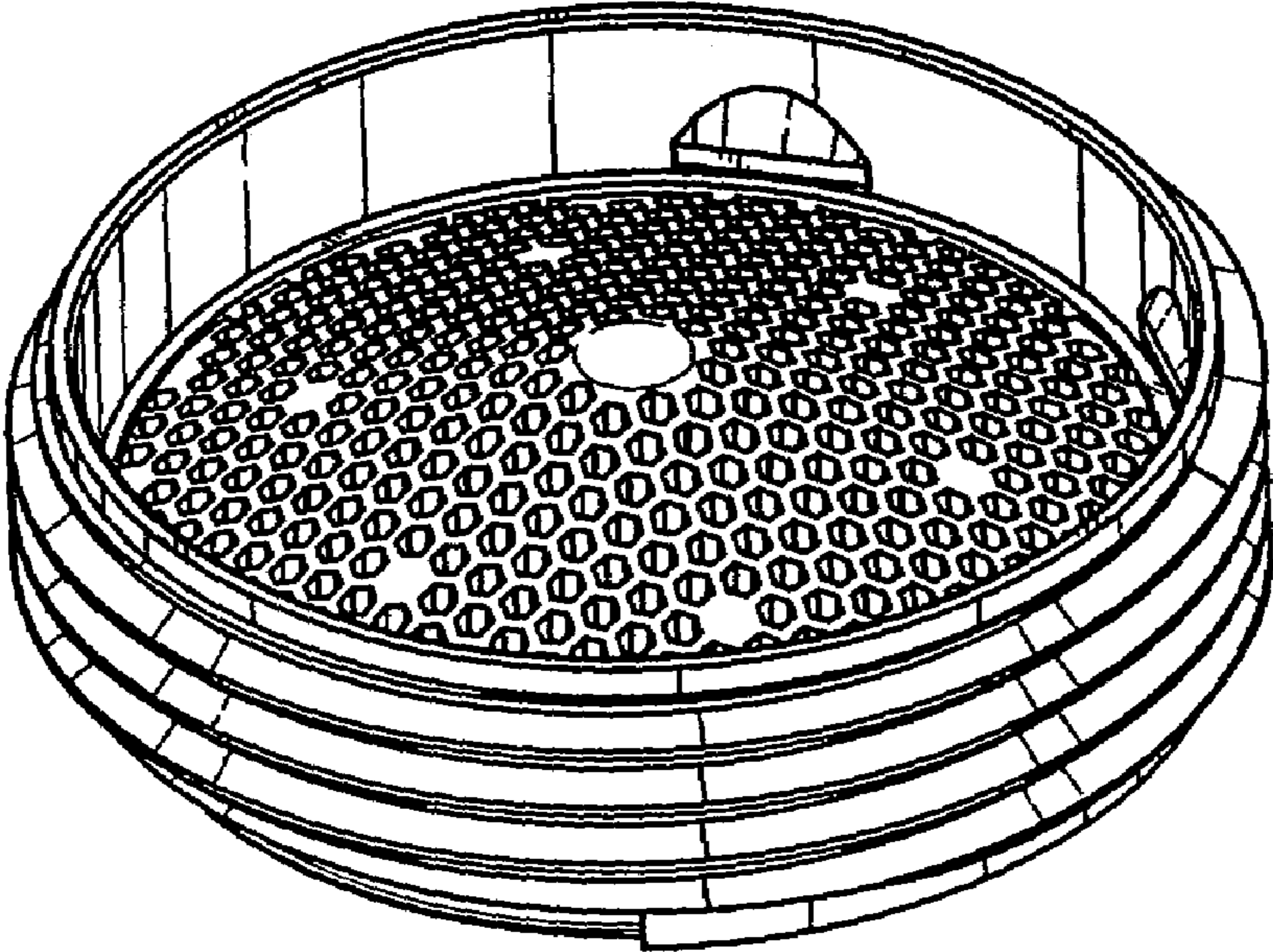


FIG. 2



FIG. 3

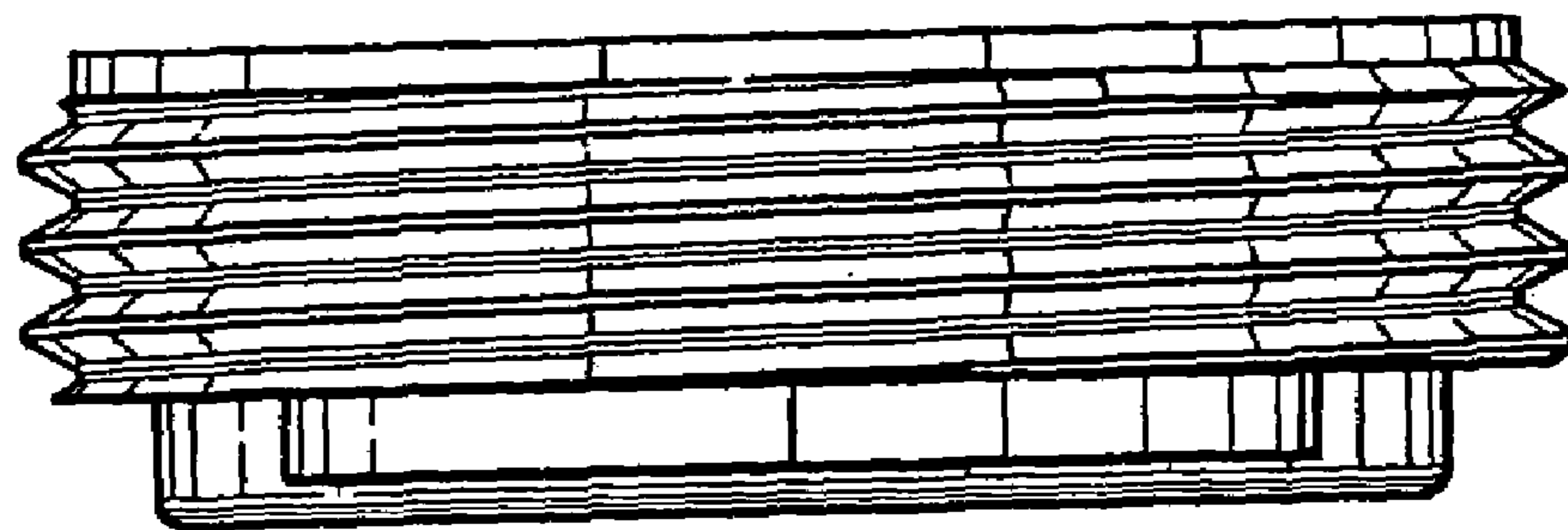
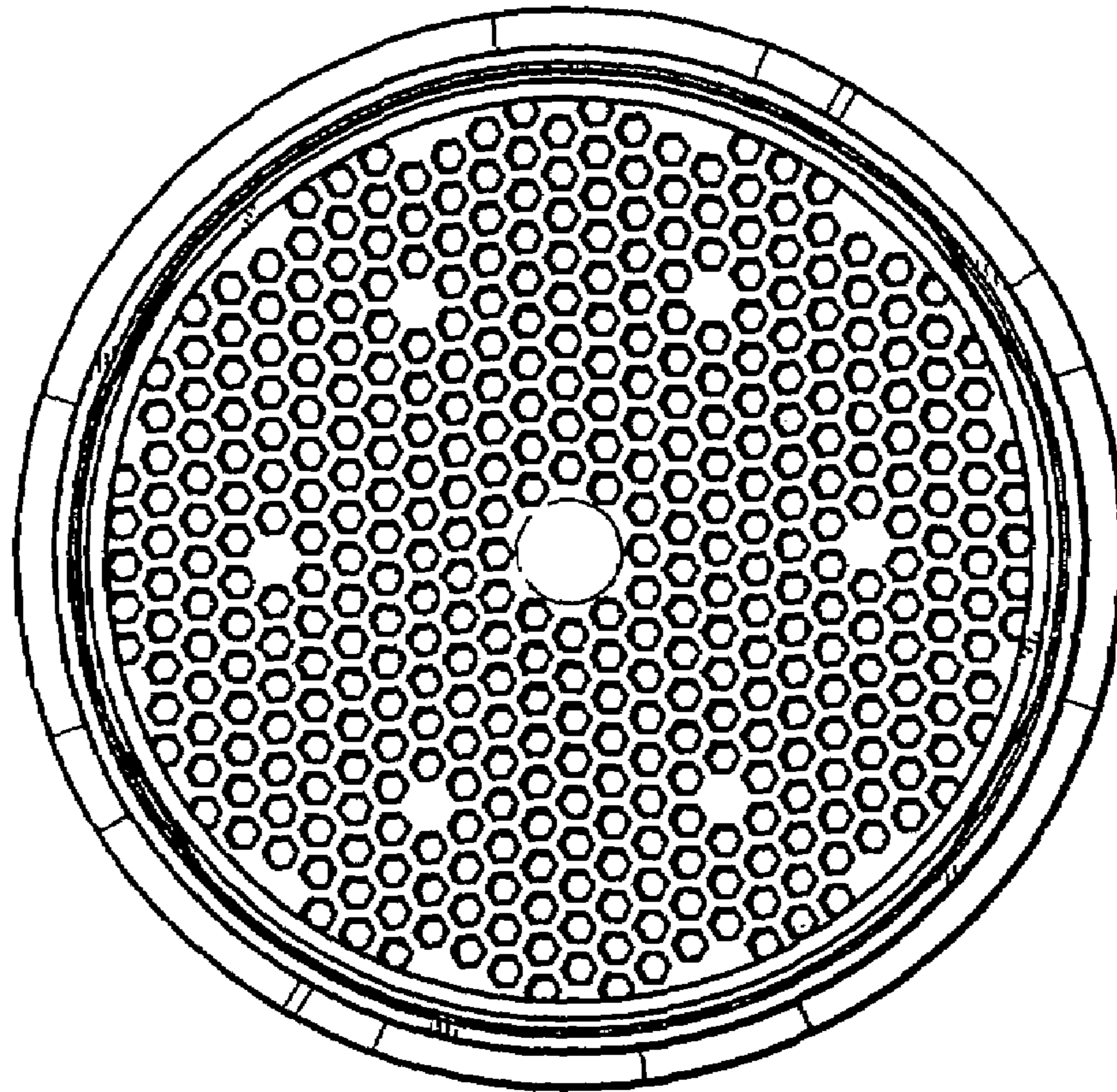


FIG. 4

FIG. 5

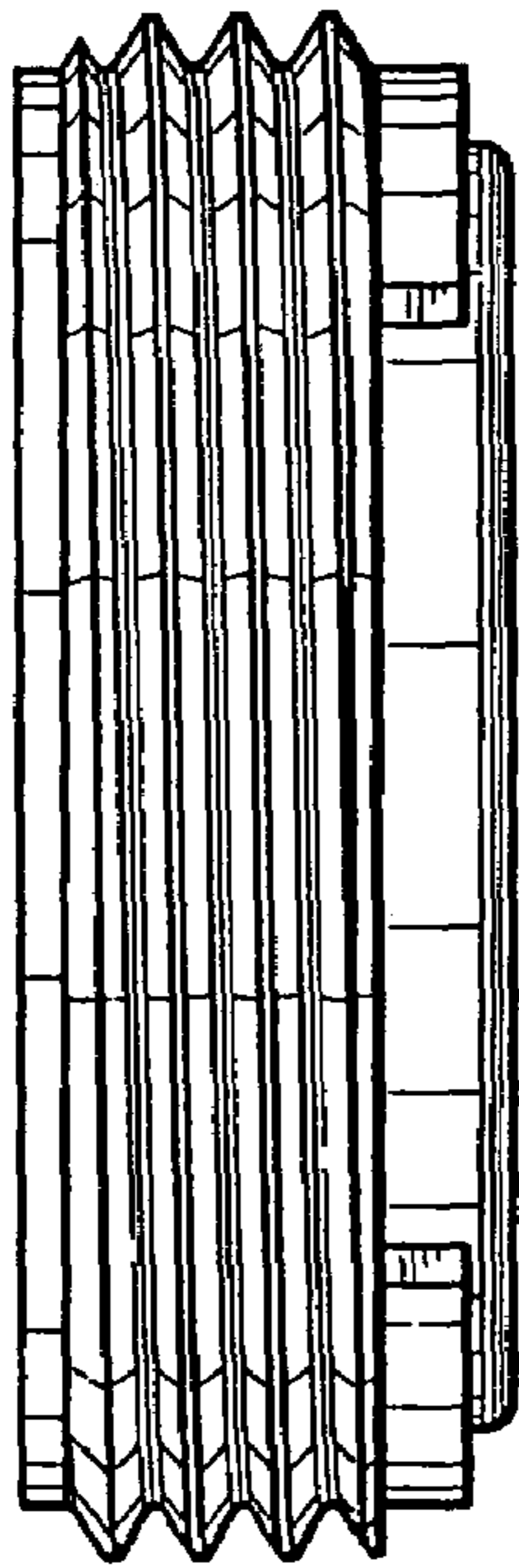


FIG. 6

