



US00D577415S

(12) **United States Design Patent**  
**Reid**

(10) **Patent No.:** **US D577,415 S**  
(45) **Date of Patent:** **\*\* Sep. 23, 2008**

(54) **WATER FILTRATION DEVICE**

D415,553 S \* 10/1999 Wolfe ..... D23/202  
D420,720 S \* 2/2000 Teran et al. .... D23/200

(76) Inventor: **Worrell A. Reid**, 5909 Megan Dr.,  
Hamilton, OH (US) 45011

**FOREIGN PATENT DOCUMENTS**

(\*\*) Term: **14 Years**

DE 3808407 A1 9/1989  
EP 0 989 257 A2 3/2000  
FR 2 790 501 A1 9/2000

(21) Appl. No.: **29/298,949**

\* cited by examiner

(22) Filed: **Dec. 17, 2007**

*Primary Examiner*—Robin V Webster  
(74) *Attorney, Agent, or Firm*—Hahn Loeser & Parks, LLP

**Related U.S. Application Data**

(63) Continuation of application No. 11/532,269, filed on  
Sep. 15, 2006, which is a continuation-in-part of appli-  
cation No. 10/922,126, filed on Aug. 16, 2004, now  
abandoned.

(57) **CLAIM**

The ornamental design for a water filtration device, as shown  
and as described.

(51) **LOC (8) Cl.** ..... **23-01**

(52) **U.S. Cl.** ..... **D23/209; D23/202**

(58) **Field of Classification Search** ..... D23/202–205,  
D23/207, 209; 210/167.1, 416.2; 220/586–587  
See application file for complete search history.

**DESCRIPTION**

FIG. 1 is an environmental view of the water filtration device;  
FIG. 2 is a perspective view showing the frontal right side  
thereof;

FIG. 3 is a perspective view showing the rear left side thereof;

FIG. 4 is a top plan view of the water filtration device shown  
in the direction of line 4—4 in FIG. 3;

FIG. 5 is bottom plan view thereof, shown in the direction of  
line 5—5 in FIG. 3;

FIG. 6 is a side view of the water filtration device; and,

FIG. 7 is an side view of an alternate embodiment thereof.

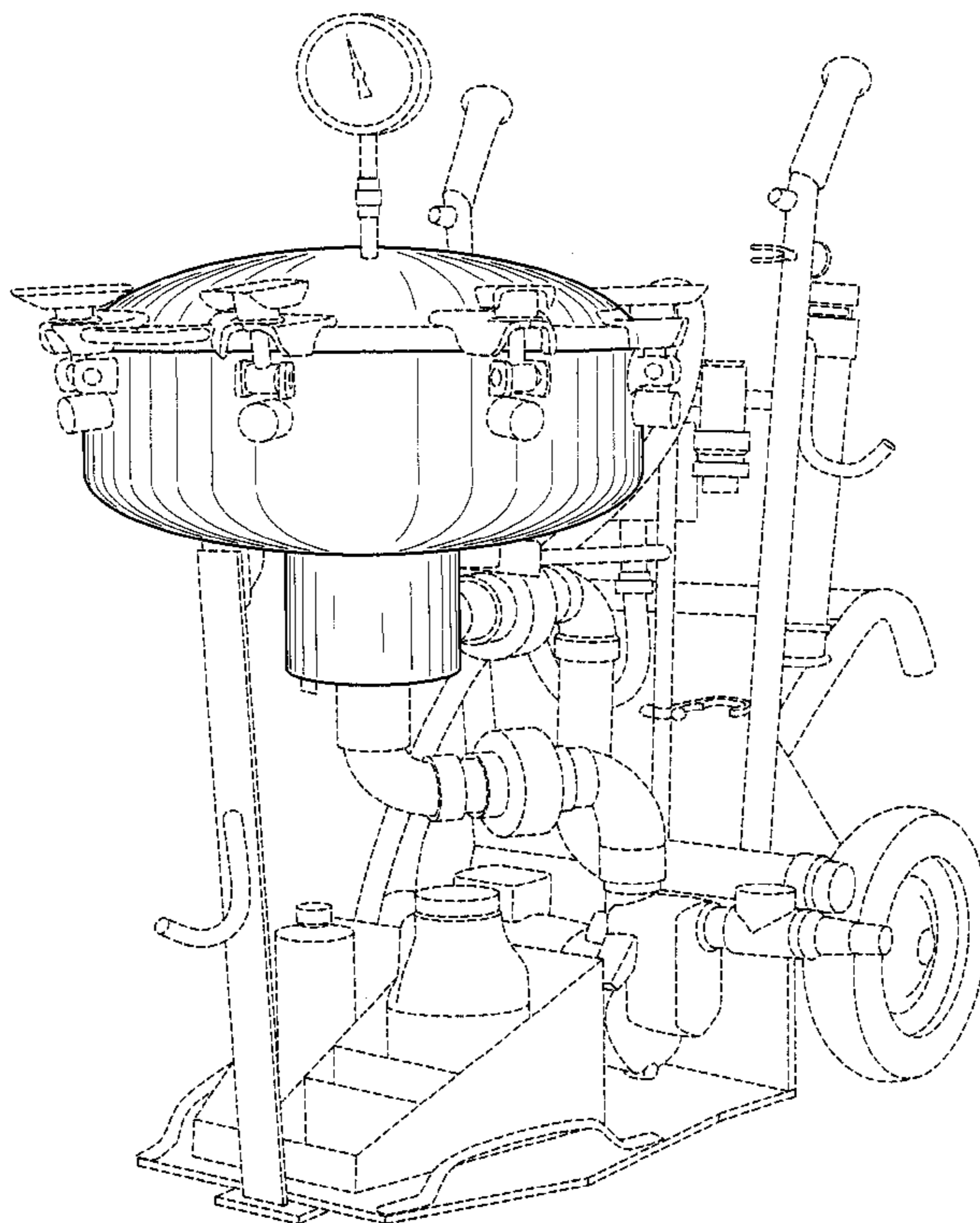
The dashed lines shown in the Figures are for illustration only  
and form no part of the claimed design.

(56) **References Cited**

**U.S. PATENT DOCUMENTS**

3,694,263 A 9/1972 Korn, Sr.  
4,240,174 A 12/1980 Thiem et al.  
4,581,075 A 4/1986 St. Martin  
D286,172 S \* 10/1986 Takino ..... D23/202  
D293,360 S \* 12/1987 Anderson, Sr. .... D23/202  
4,801,376 A 1/1989 Kulitz  
D329,081 S \* 9/1992 Jonasson et al. .... D23/209  
D410,726 S \* 6/1999 Cook ..... D23/207

**1 Claim, 6 Drawing Sheets**



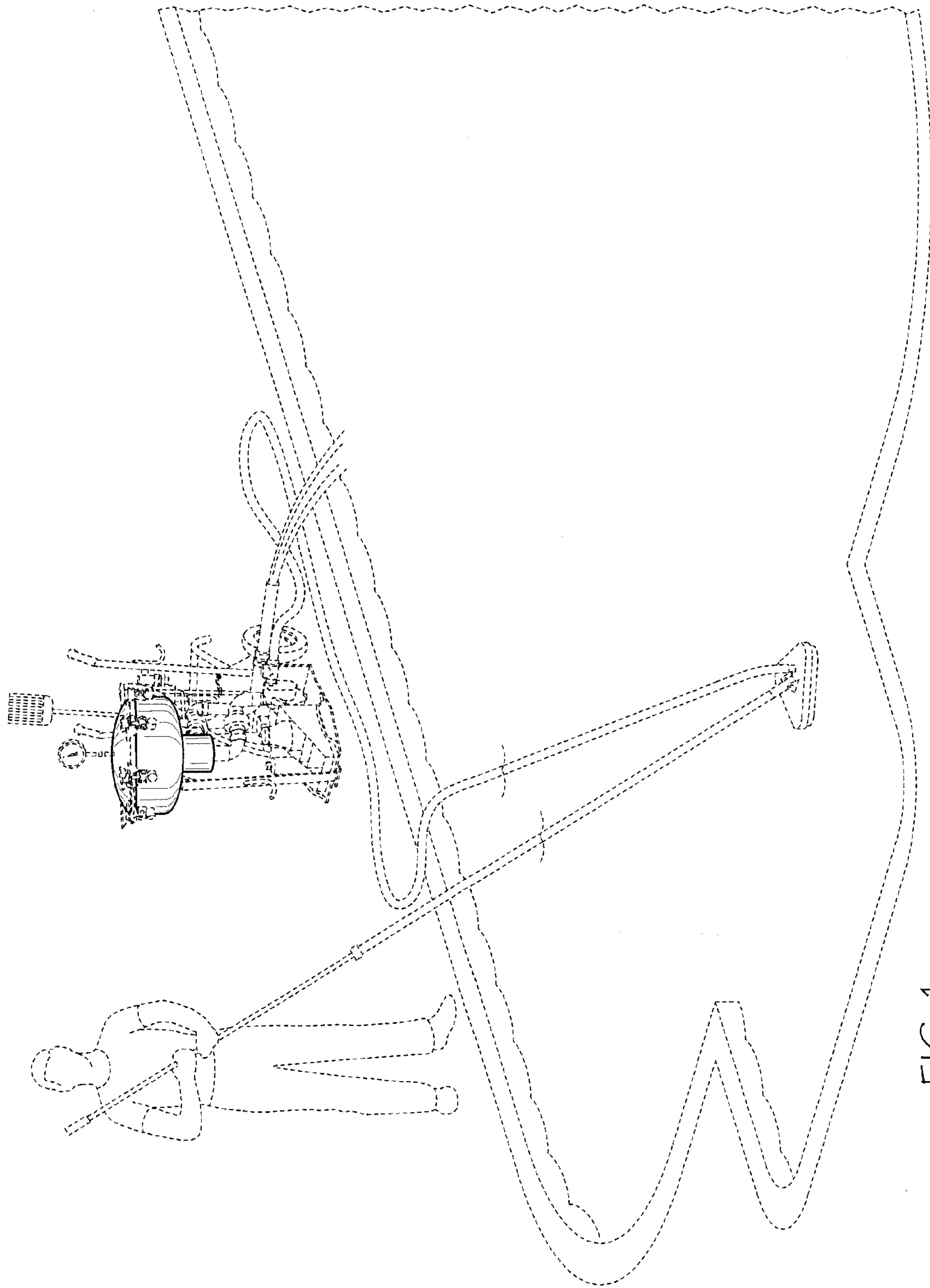


FIG. 1

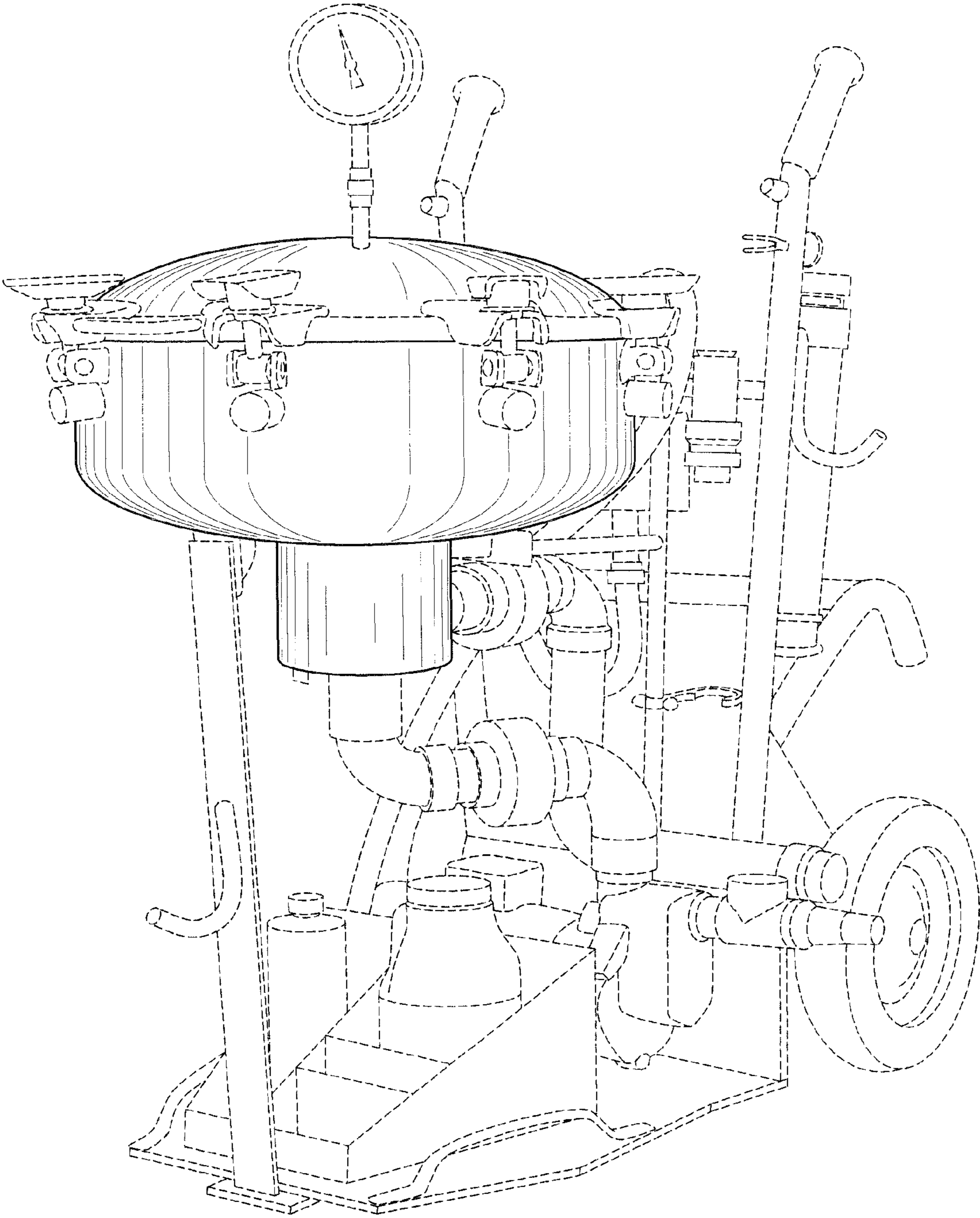


FIG. 2

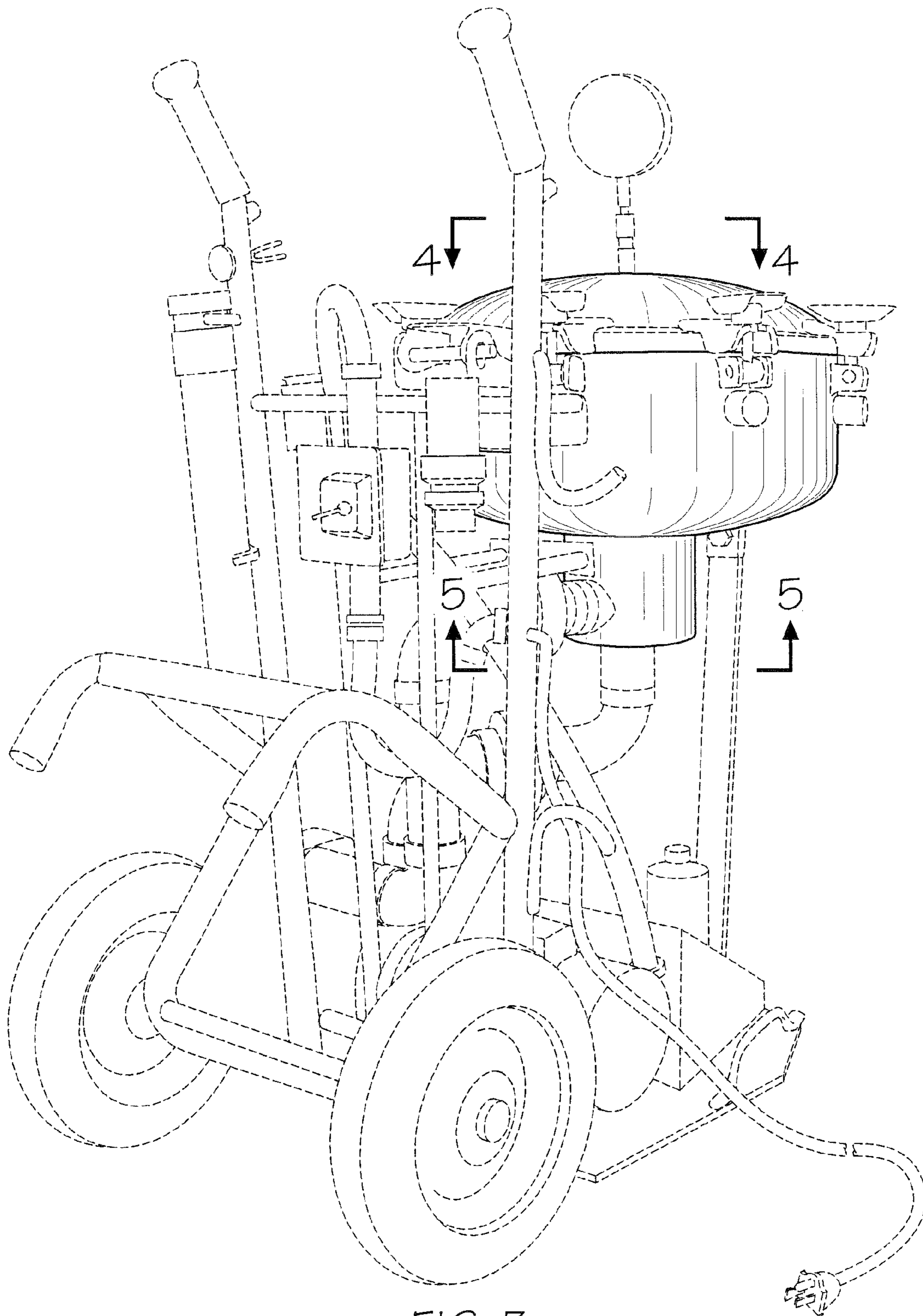


FIG. 3

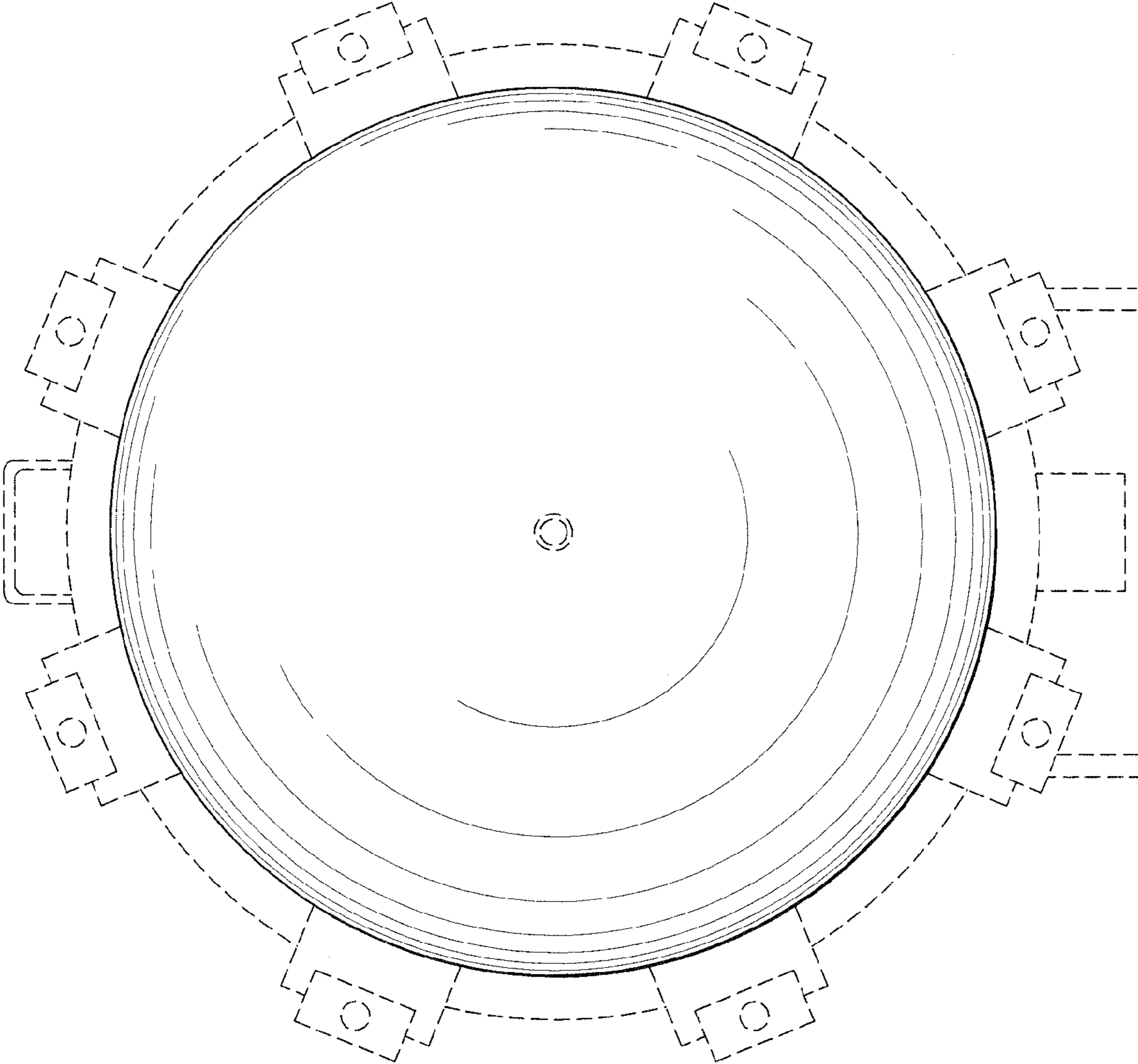


FIG. 4

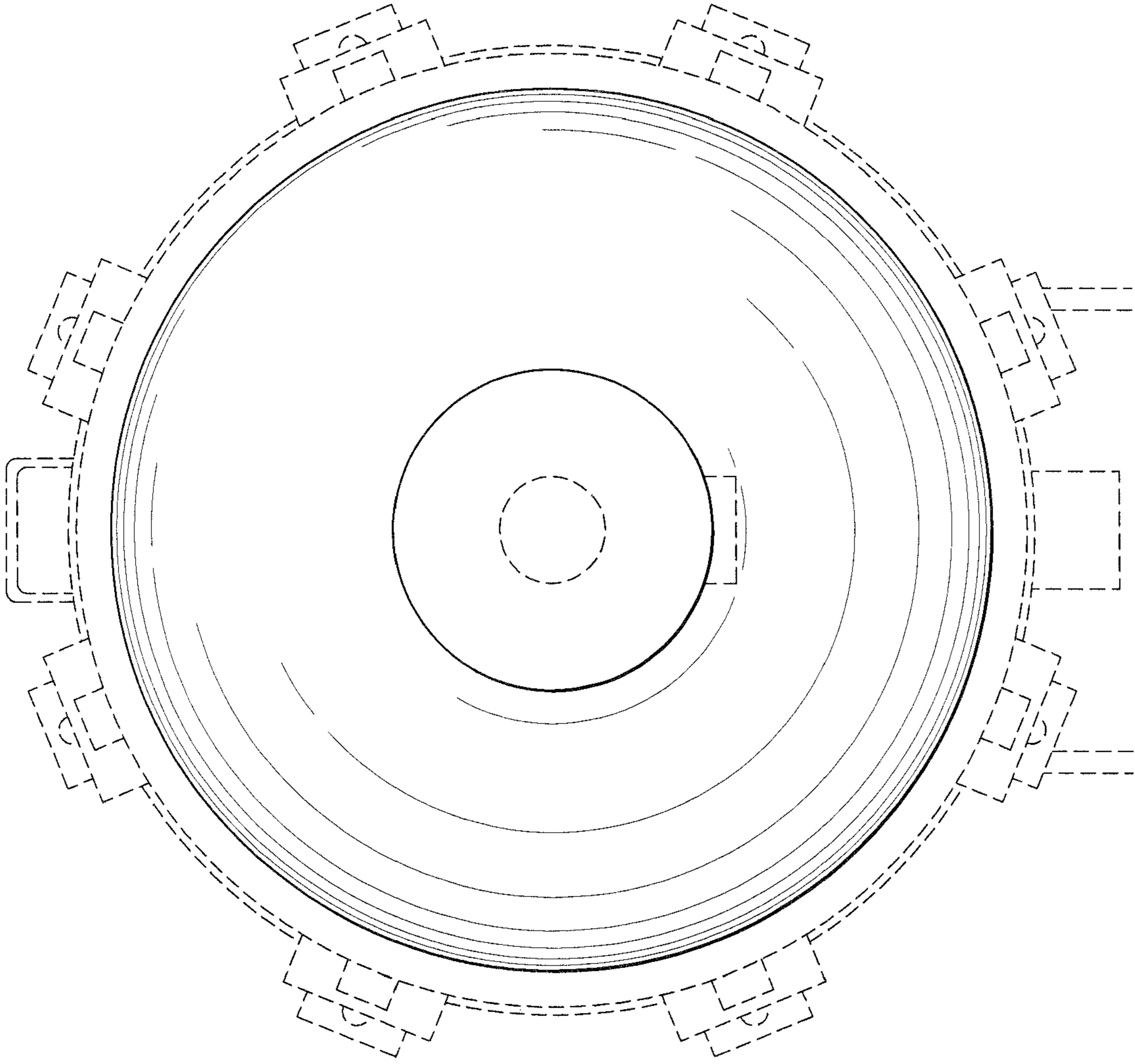


FIG. 5

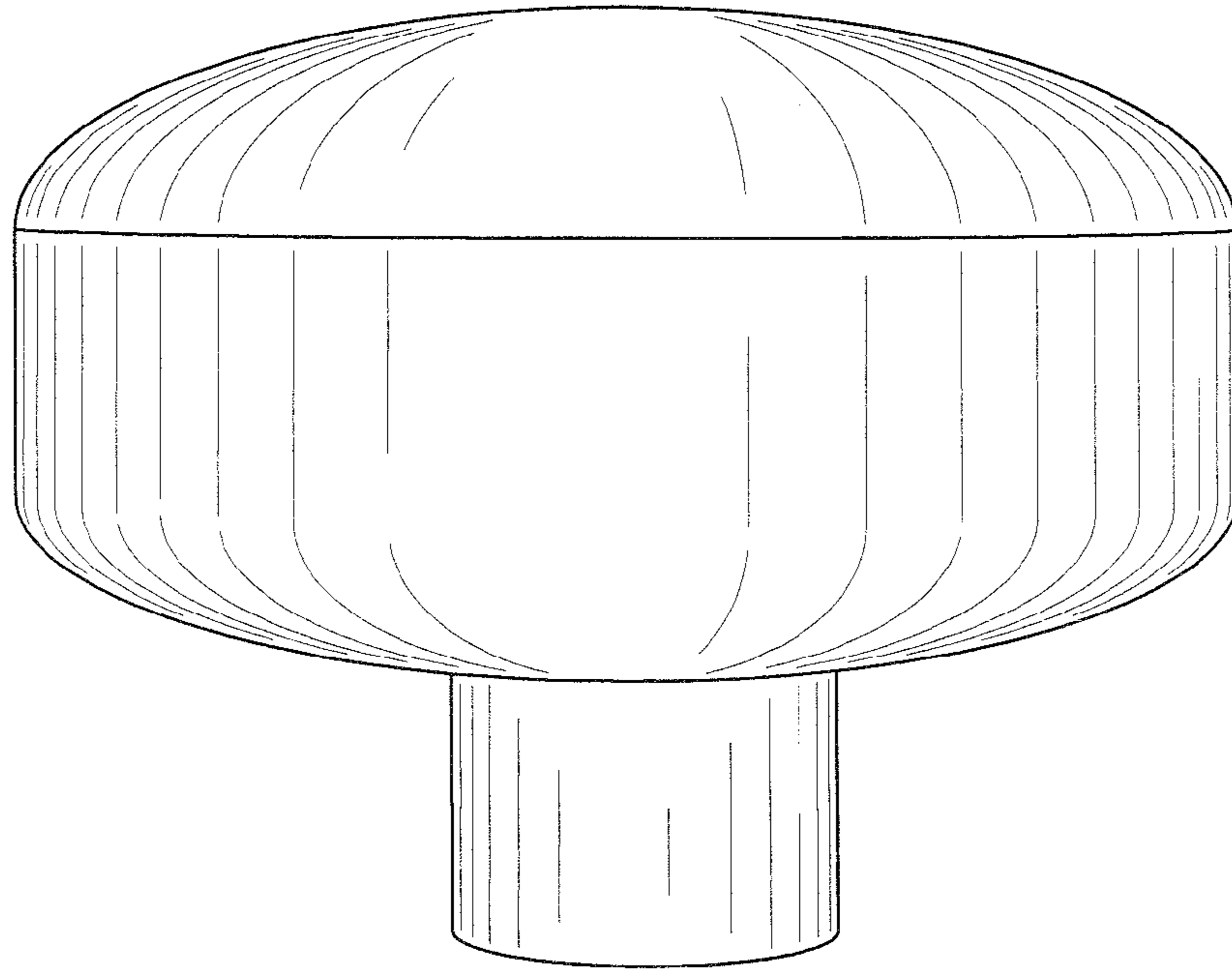


FIG. 6

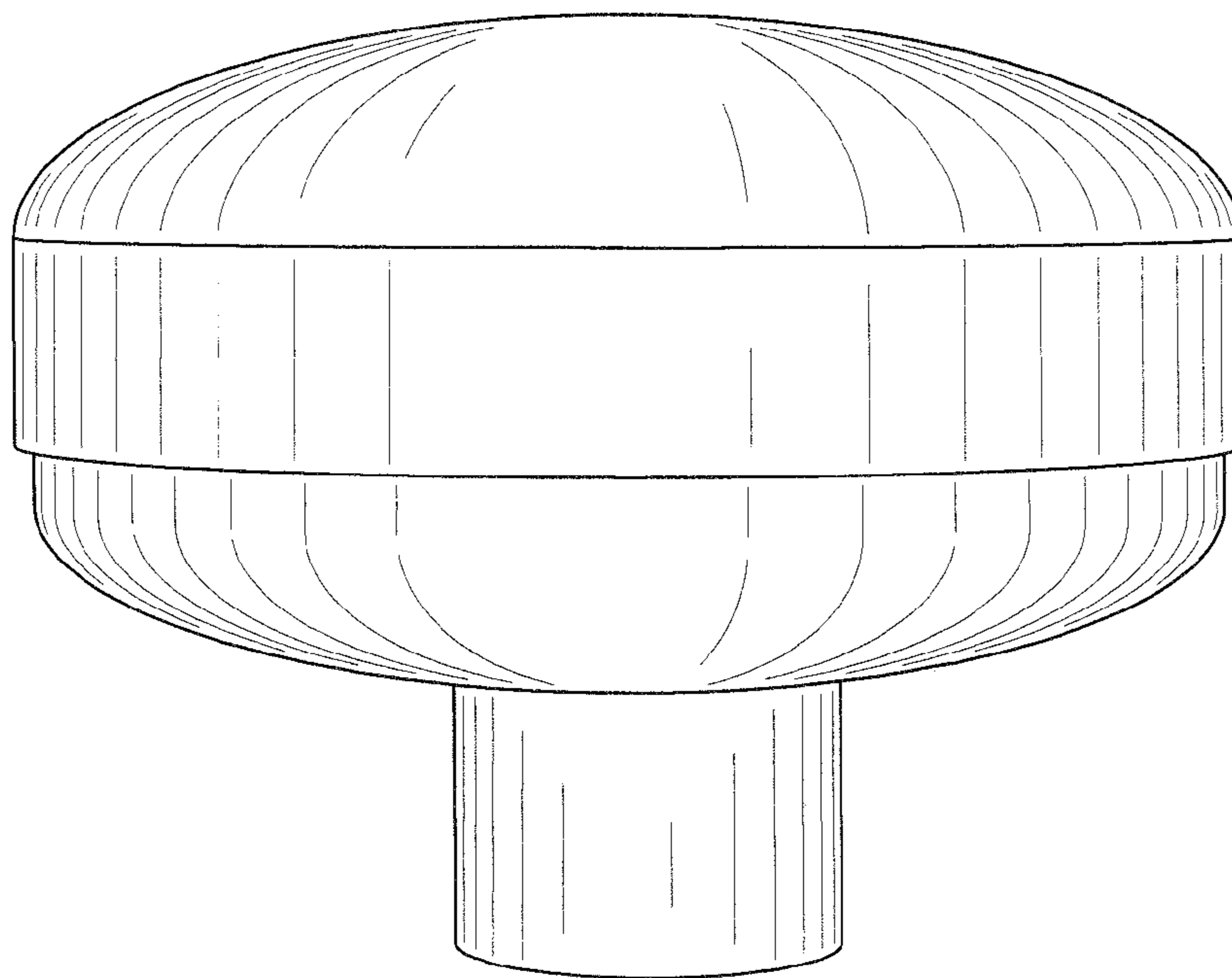


FIG. 7