



US00D577410S

(12) **United States Design Patent**
Brittingham

(10) **Patent No.:** **US D577,410 S**

(45) **Date of Patent:** **** Sep. 23, 2008**

(54) **BLACKOUT FLASH HIDER**

(76) Inventor: **Kevin Tyson Brittingham**, 1434
Hillcrest Rd., Norcross, GA (US) 30093

(**) Term: **14 Years**

(21) Appl. No.: **29/273,223**

(22) Filed: **Feb. 28, 2007**

(51) **LOC (8) Cl.** **22-01**

(52) **U.S. Cl.** **D22/108**

(58) **Field of Classification Search** D22/100,
D22/108, 199; 42/79, 90, 1.06; 89/14.3,
89/14.4; 181/223

See application file for complete search history.

(56) **References Cited**

U.S. PATENT DOCUMENTS

4,971,489	A *	11/1990	Womack	409/81
D415,812	S *	10/1999	Andrews et al.	D22/108
6,837,139	B2 *	1/2005	Meyers	89/14.2
7,062,874	B1 *	6/2006	Smith	89/14.4
7,155,143	B2 *	12/2006	Miner et al.	399/159

7,302,774	B2 *	12/2007	Meyers	42/77
2006/0060076	A1 *	3/2006	Dueck et al.	89/14.4

* cited by examiner

Primary Examiner—Ian Simmons
Assistant Examiner—Wan Laymon

(57) **CLAIM**

The ornamental design for a blackout flash hider, as shown and described.

DESCRIPTION

FIG. 1 is a side elevational view of a blackout flash hider showing my new design;

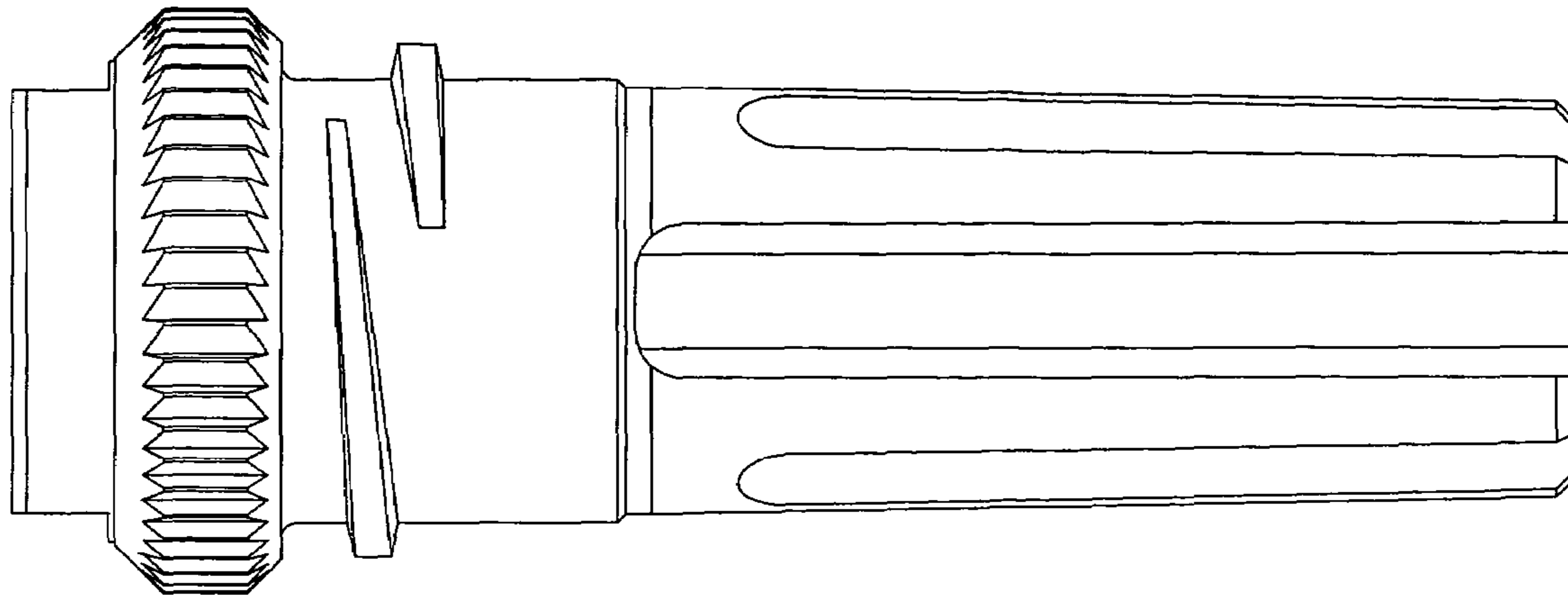
FIG. 2 is another side elevational view shown in a rotated position thereof;

FIG. 3 is a front view thereof; and,

FIG. 4 is a rear view thereof.

The broken lines in the Figures are for illustrative purposes only and form no part of the claimed design.

1 Claim, 2 Drawing Sheets



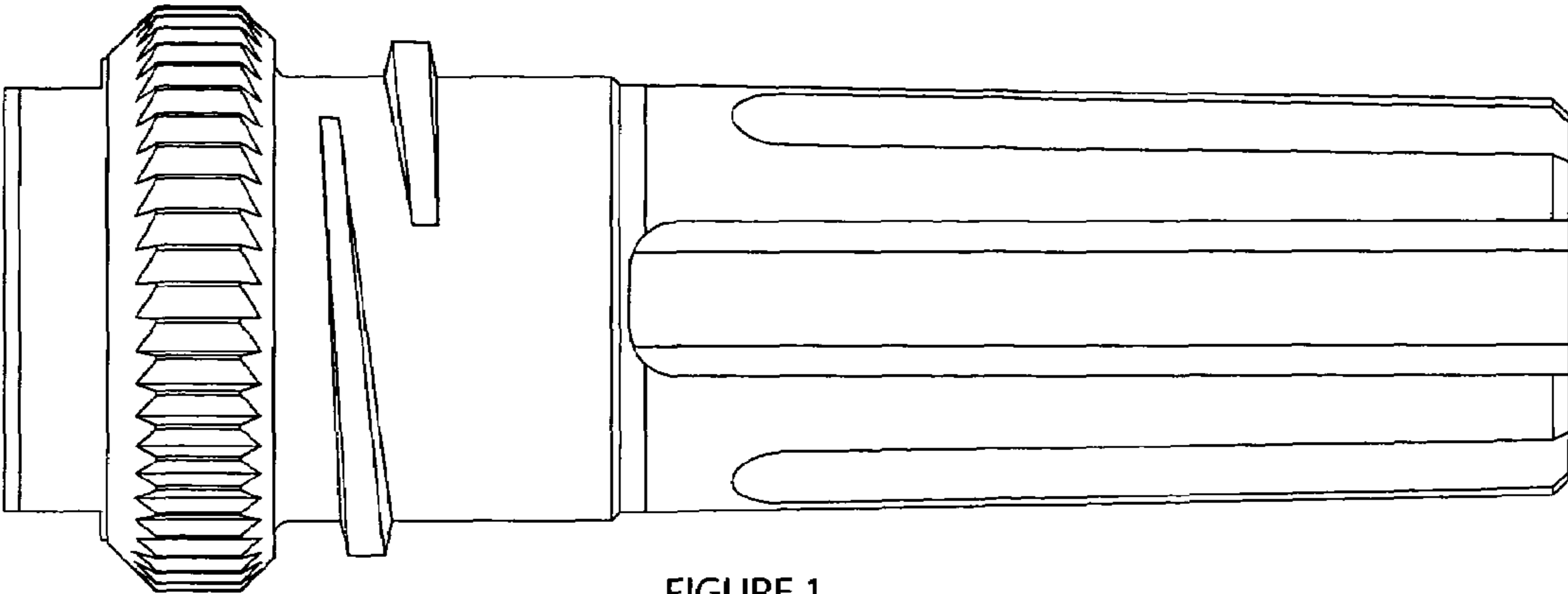


FIGURE 1

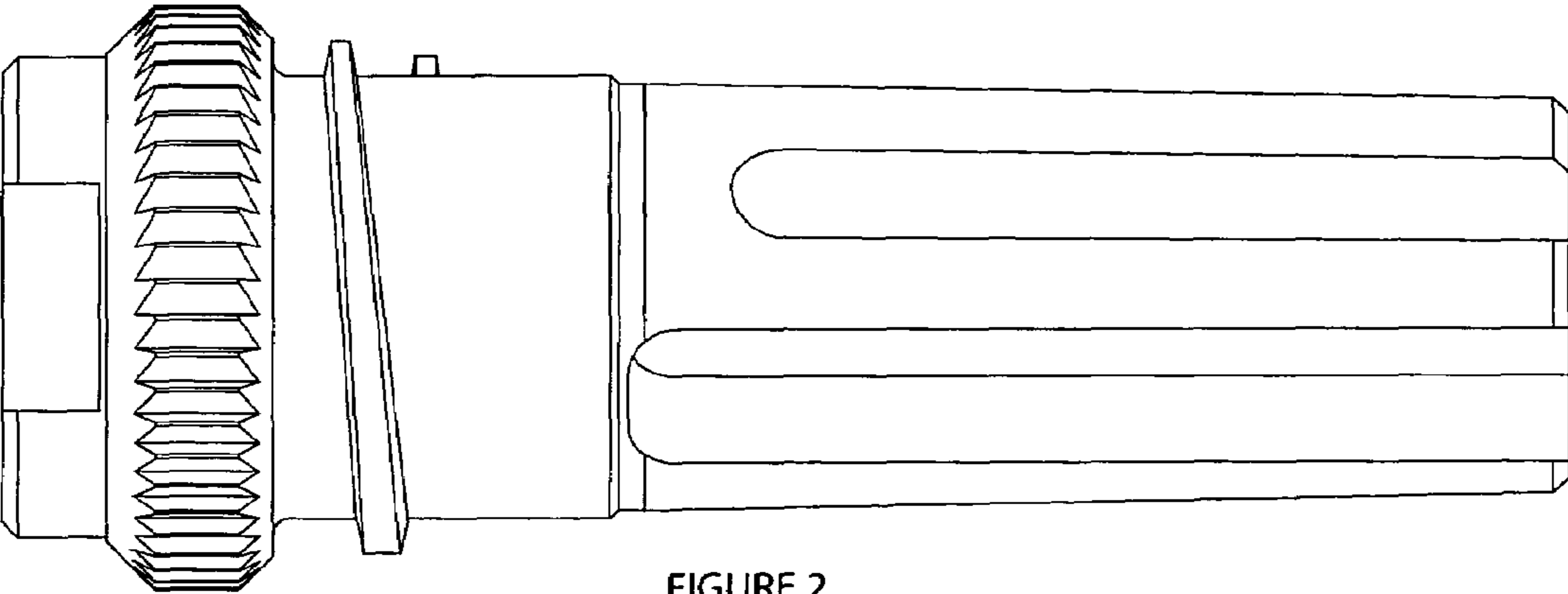


FIGURE 2

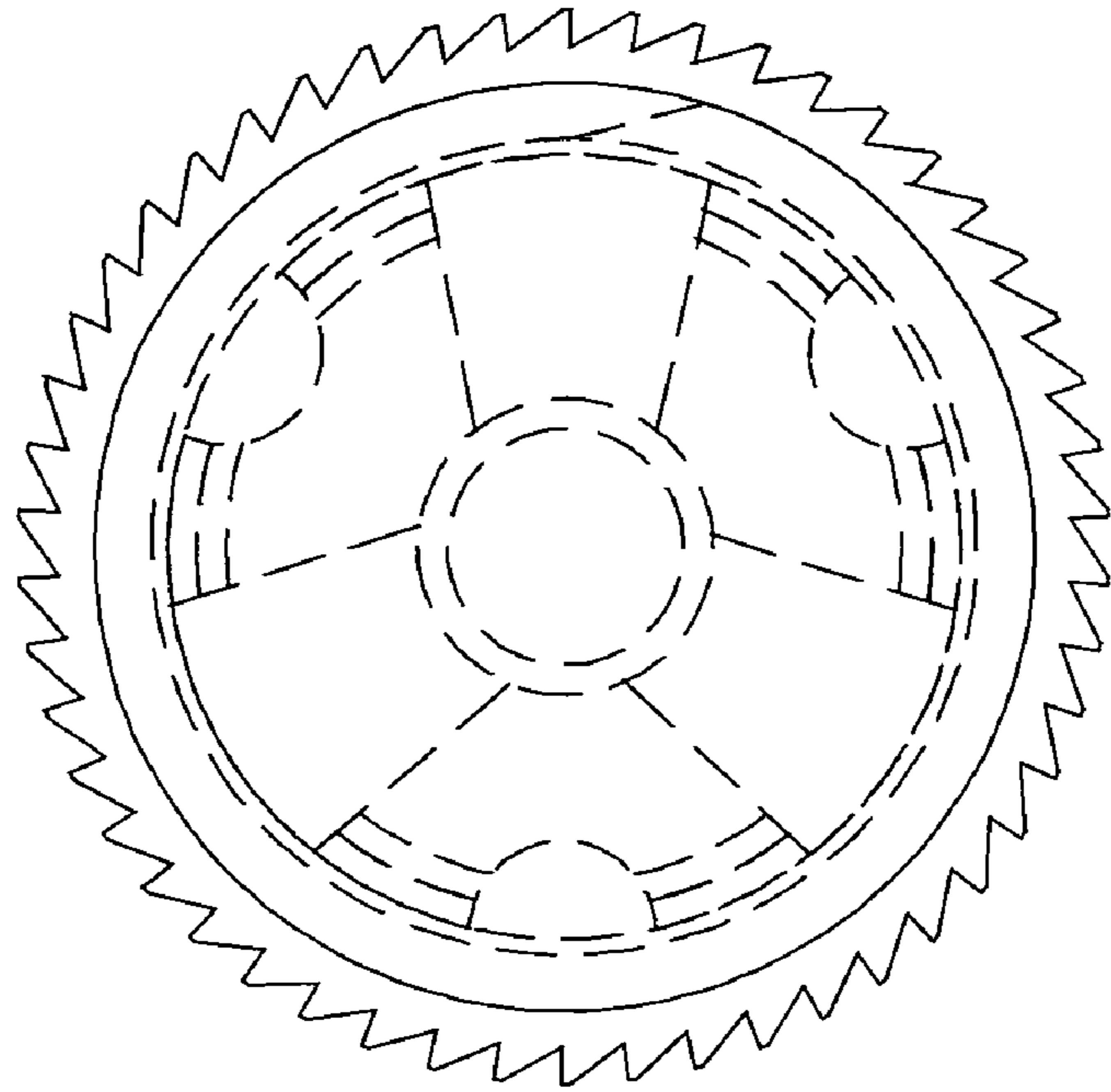


FIGURE 3

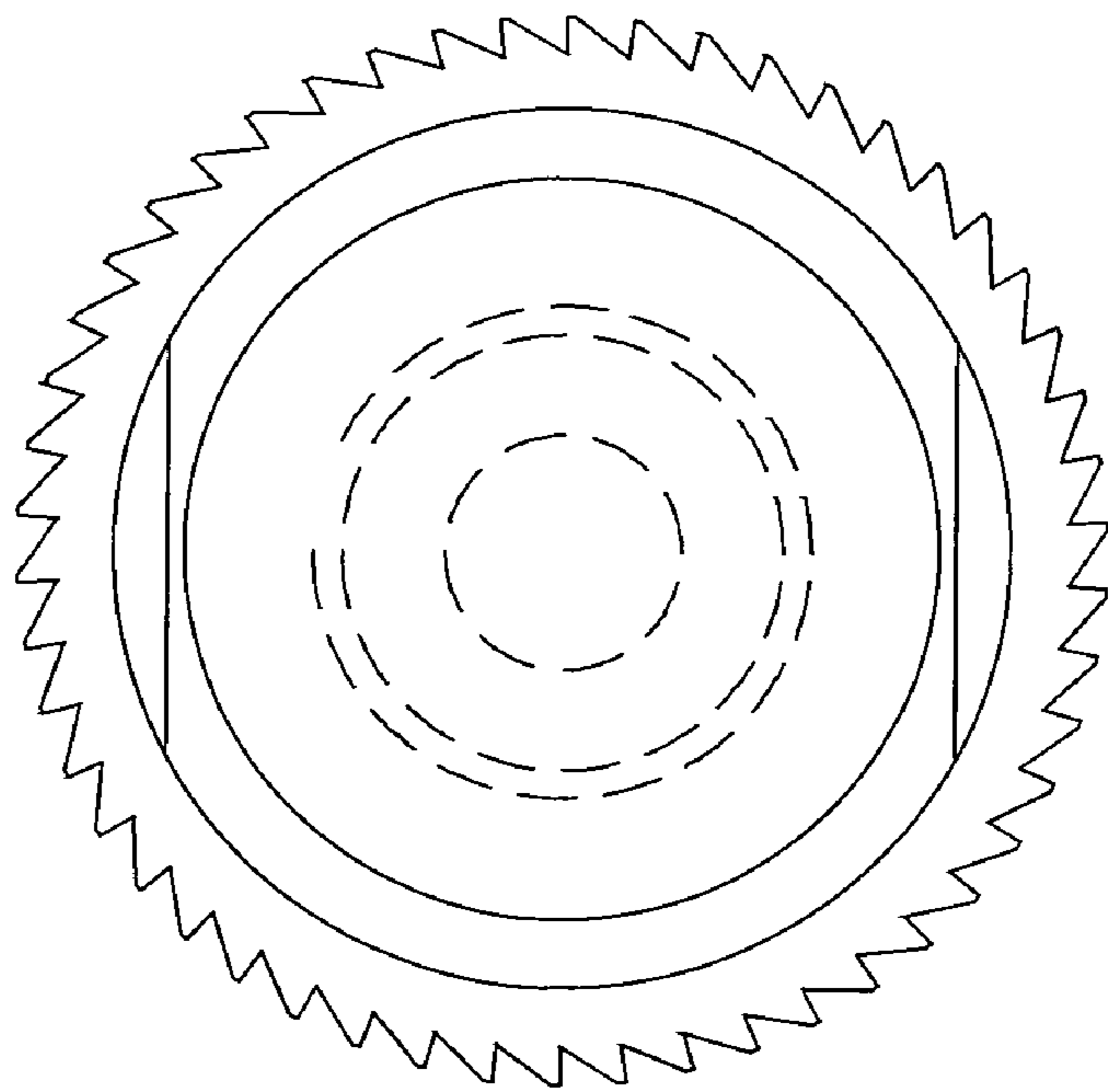


FIGURE 4