



US00D577408S

(12) **United States Design Patent**  
**Ketcherside et al.**

(10) **Patent No.:** **US D577,408 S**

(45) **Date of Patent:** **\*\* Sep. 23, 2008**

(54) **PLAYGROUND PLAYCENTER**

(75) Inventors: **Julie D. Ketcherside**, Farmington, MO (US); **Lloyd W. Reese**, Farmington, MO (US); **Brian B. Jenkins**, Farmington, MO (US); **Christopher Michael Newburry**, Desloge, MO (US)

(73) Assignee: **Playpower LT Farmington, Inc.**, Farmington, MO (US)

(\*\*) Term: **14 Years**

(21) Appl. No.: **29/281,710**

(22) Filed: **Jun. 29, 2007**

(51) **LOC (8) Cl.** ..... **21-03**

(52) **U.S. Cl.** ..... **D21/821**

(58) **Field of Classification Search** ..... D21/811-827;  
482/35-36; 472/116-125

See application file for complete search history.

(56) **References Cited**

**U.S. PATENT DOCUMENTS**

D344,773 S *	3/1994	Aker et al.	.....	D21/818
D355,693 S *	2/1995	Aker et al.	.....	D21/818
D361,614 S *	8/1995	Aker et al.	.....	D21/821
D367,911 S *	3/1996	van Huystee	.....	D21/818
D377,075 S *	12/1996	Temple et al.	.....	D21/818
D468,386 S *	1/2003	Frank	.....	D21/818
D468,387 S *	1/2003	Ezell	.....	D21/826
D486,200 S *	2/2004	Van Deusen	.....	D21/827
D495,771 S *	9/2004	Tracy	.....	D21/826
D524,895 S *	7/2006	VanDeusen et al.	.....	D21/820
D524,899 S *	7/2006	VanDeusen et al.	.....	D21/820
D534,984 S *	1/2007	Nye et al.	.....	D21/818

D536,052 S *	1/2007	Han	.....	D21/822
D536,406 S *	2/2007	Nye et al.	.....	D21/818
D536,407 S *	2/2007	Nye et al.	.....	D21/818
D536,408 S *	2/2007	Nye et al.	.....	D21/818
D536,409 S *	2/2007	Nye et al.	.....	D21/822
D536,410 S *	2/2007	Nye et al.	.....	D21/822
D536,411 S *	2/2007	Nye et al.	.....	D21/822

\* cited by examiner

*Primary Examiner*—Mitchell I Siegel

(74) *Attorney, Agent, or Firm*—Polster, Lieder, Woodruff & Lucchesi, L.C.

(57) **CLAIM**

The ornamental design for playground playcenter, as shown and described.

**DESCRIPTION**

FIG. 1 is a perspective view of a playground center of the present design;

FIG. 2 is a front elevational view thereof;

FIG. 3 is a back elevational view thereof;

FIG. 4 is a right side elevational view thereof;

FIG. 5 is left side elevational view thereof;

FIG. 6 is a top plan view thereof;

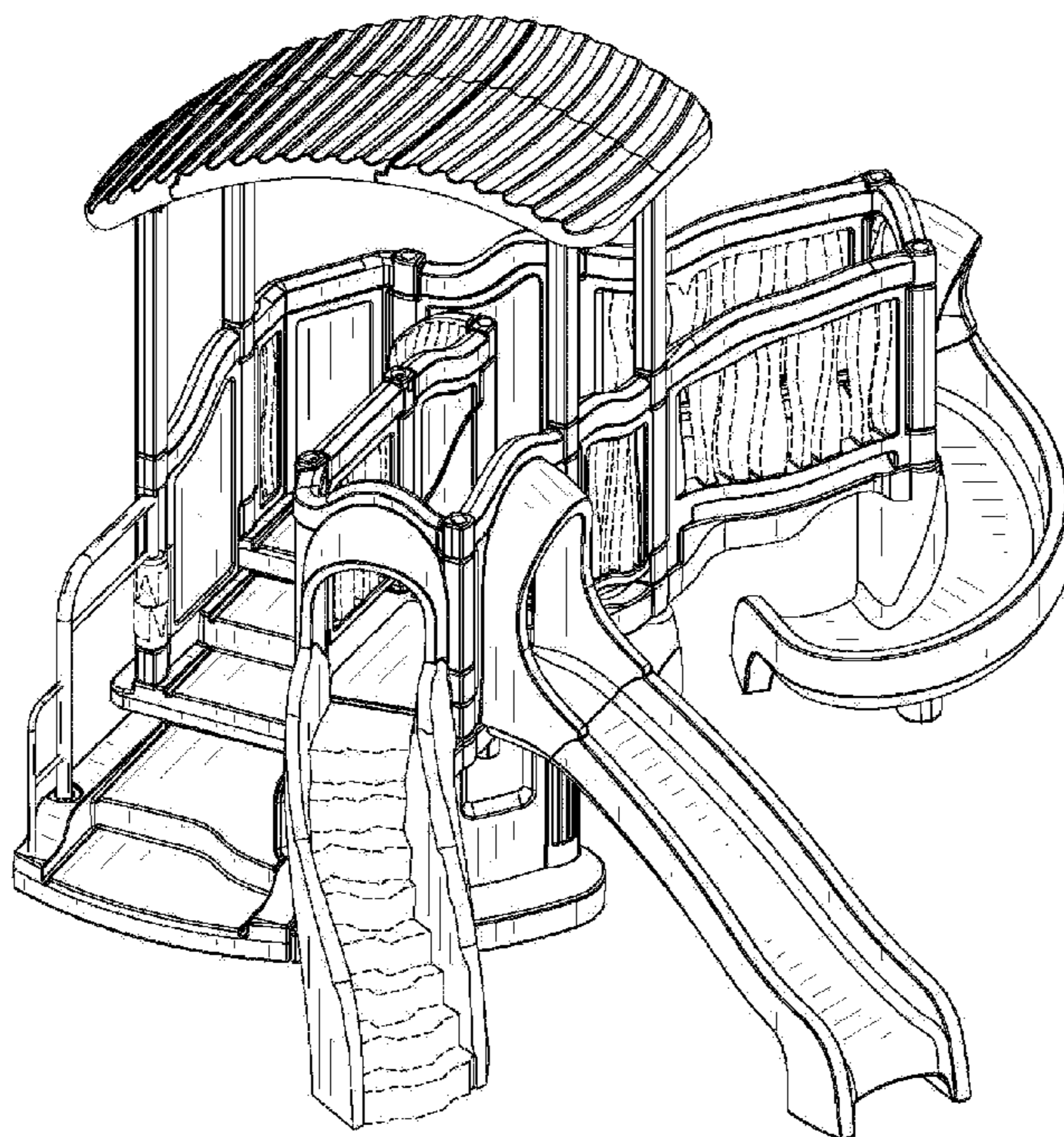
FIG. 7 is a bottom plan view thereof;

FIG. 8 is a perspective view of a second embodiment of the playground center of the present invention; and,

FIG. 9 is an elevational view of FIG. 8.

The broken line showing is included for the purpose of illustrating and forms no part of the claimed design.

**1 Claim, 9 Drawing Sheets**



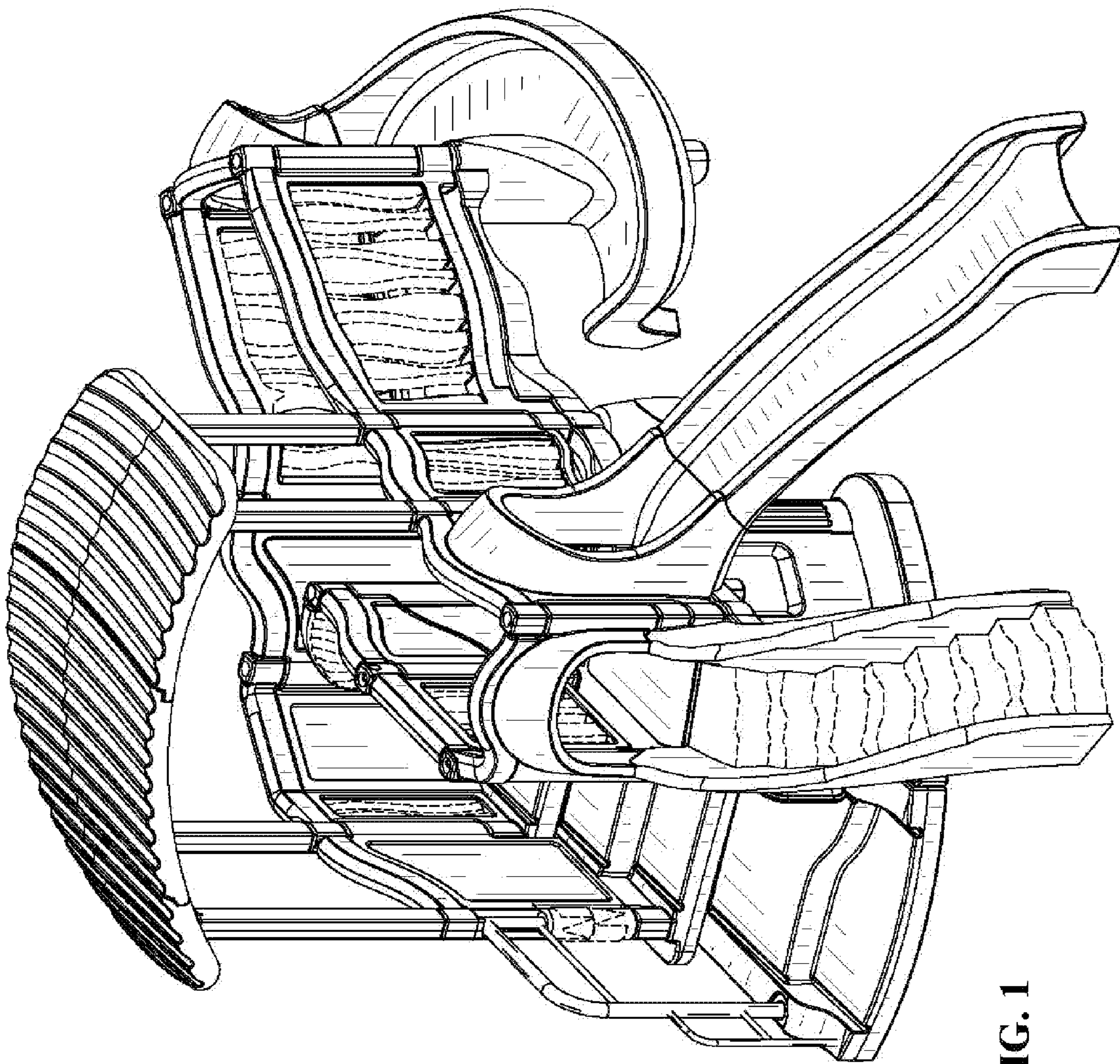


FIG. 1

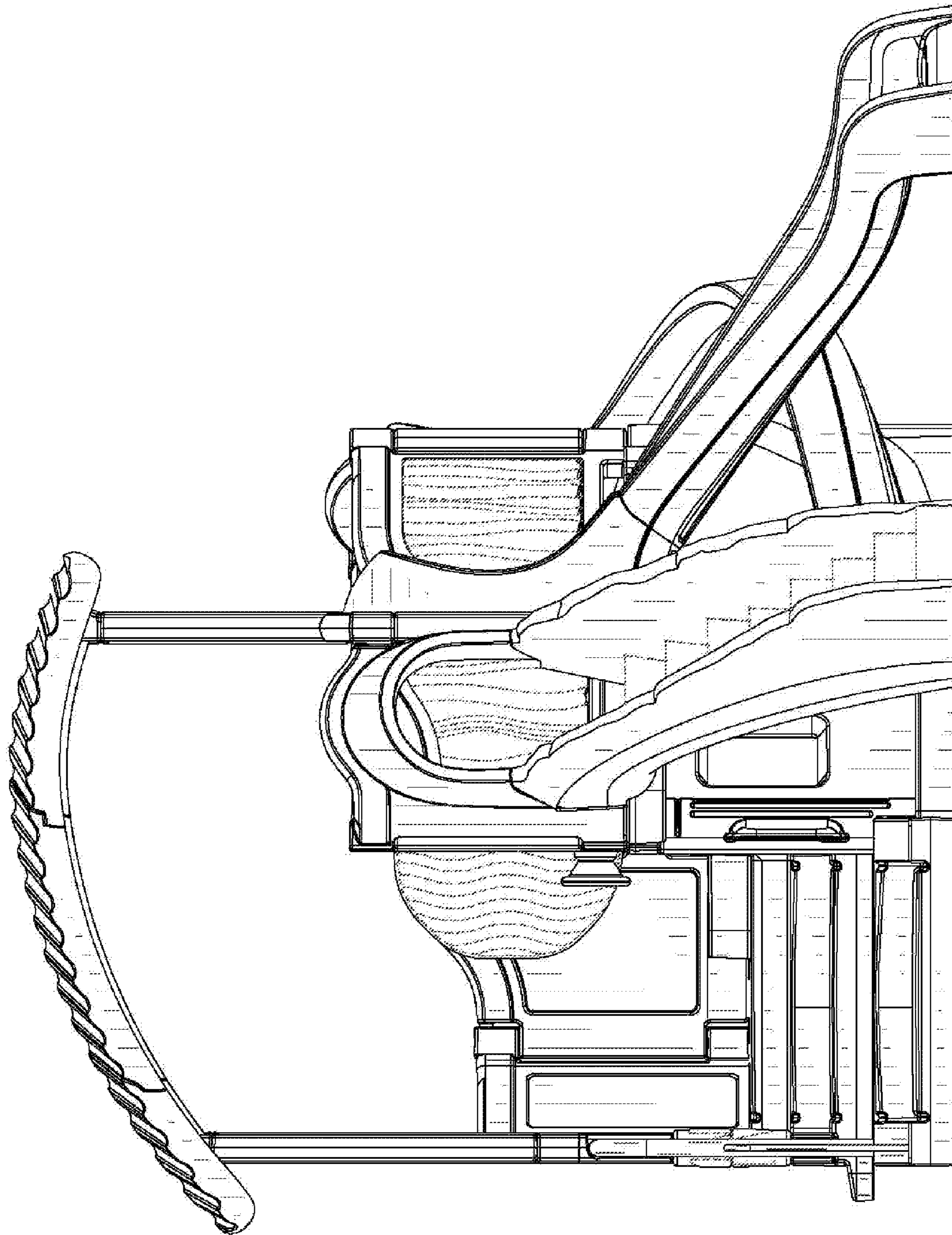


FIG. 2

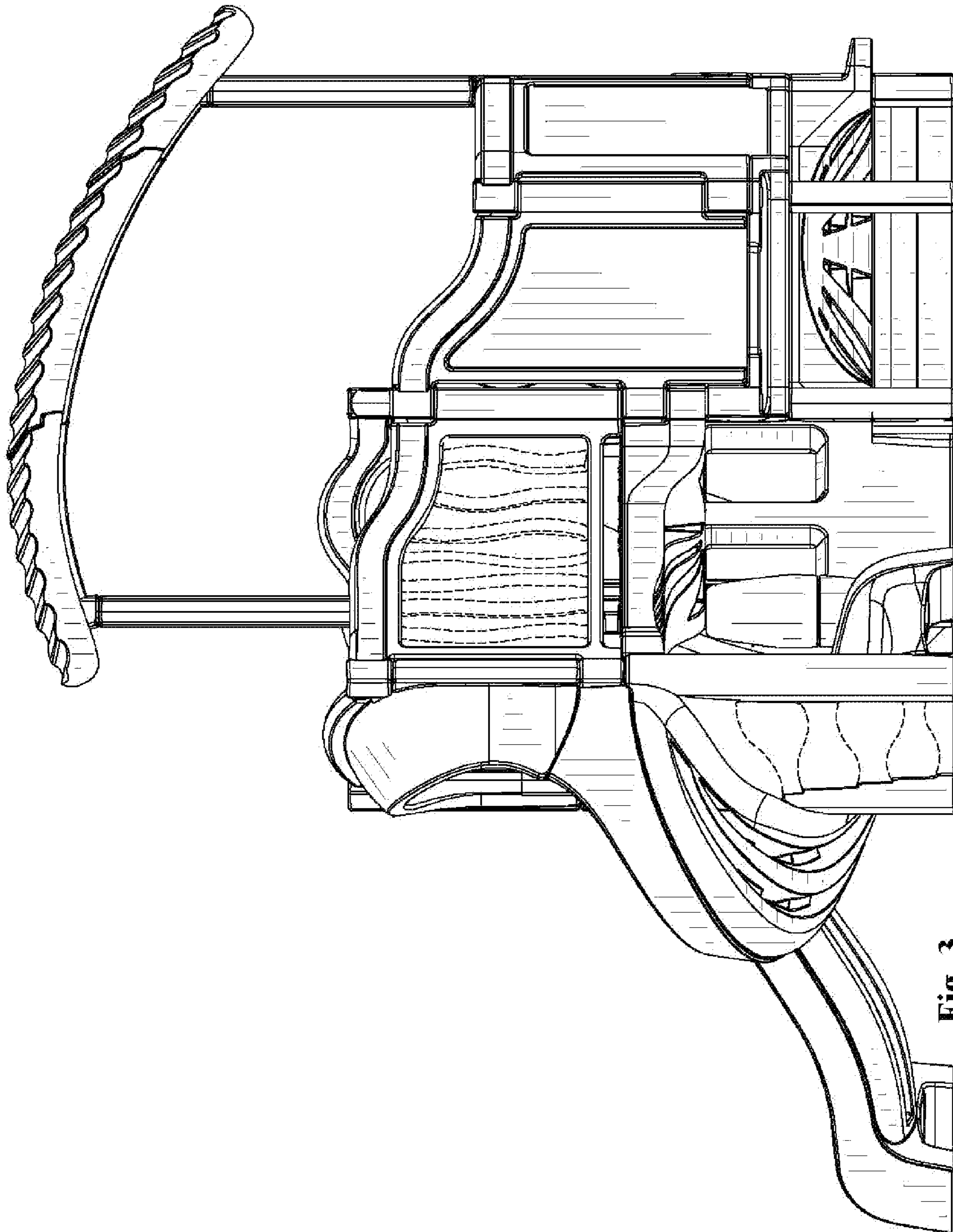


Fig. 3

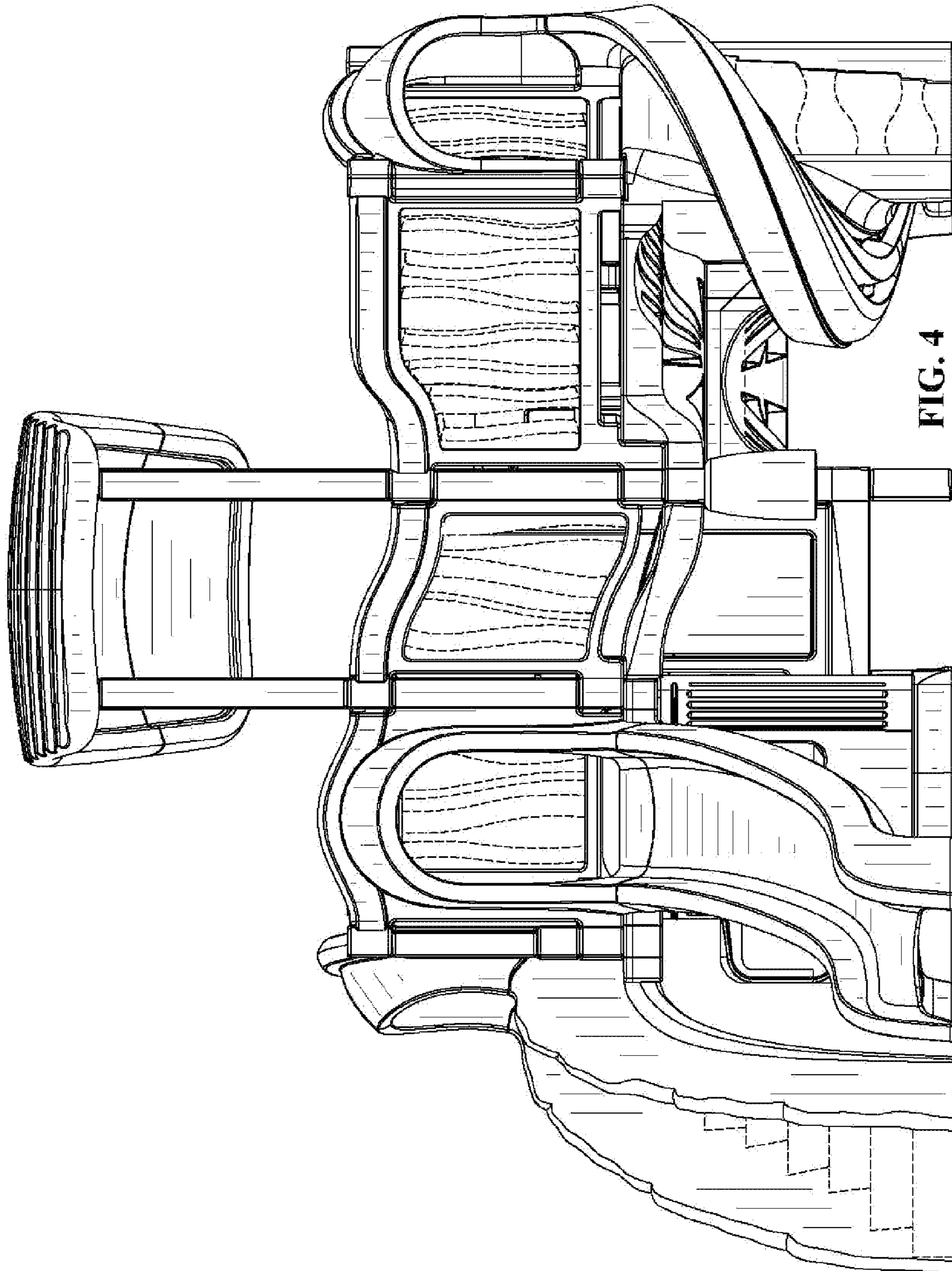


FIG. 4

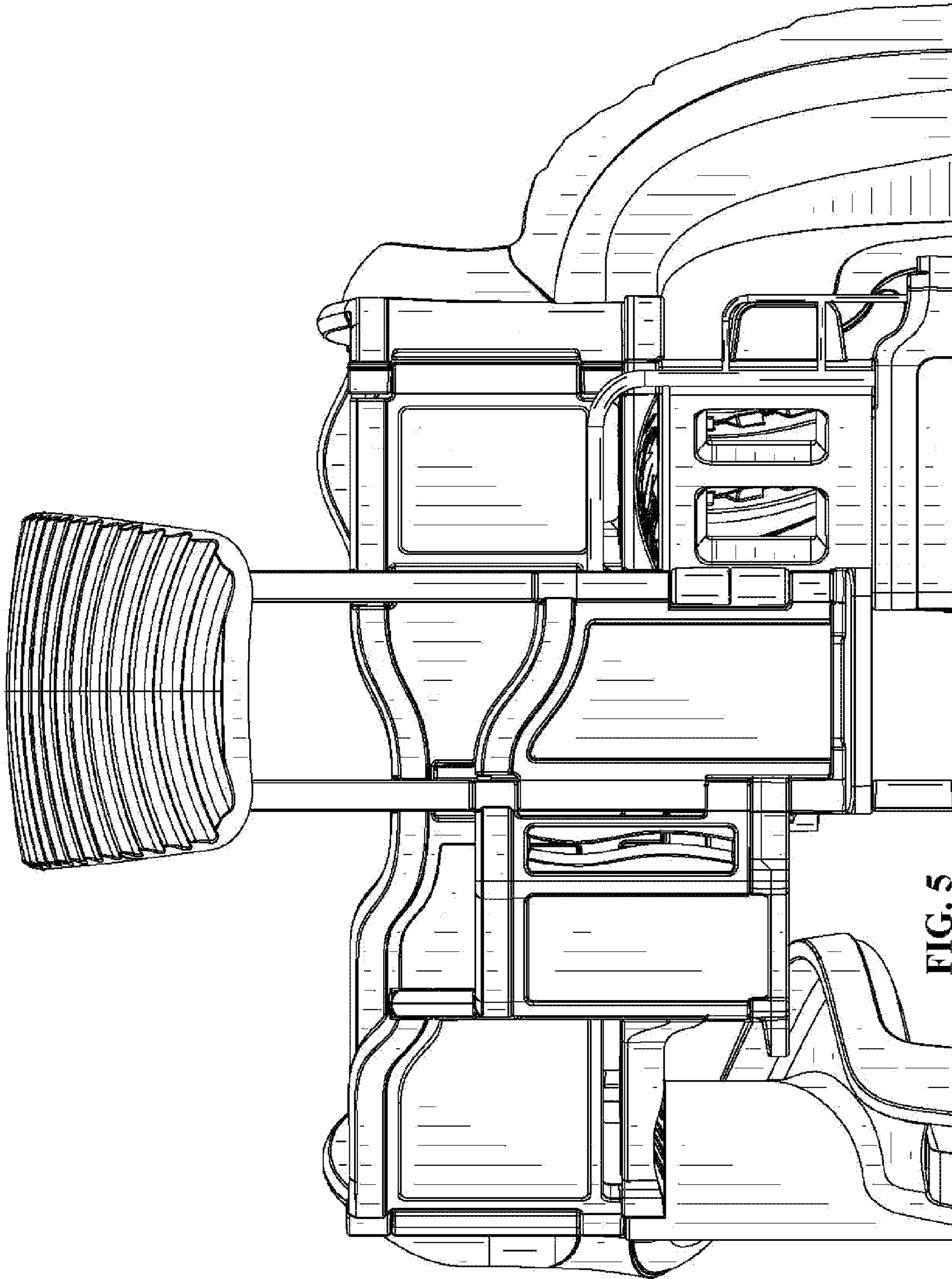


FIG. 5

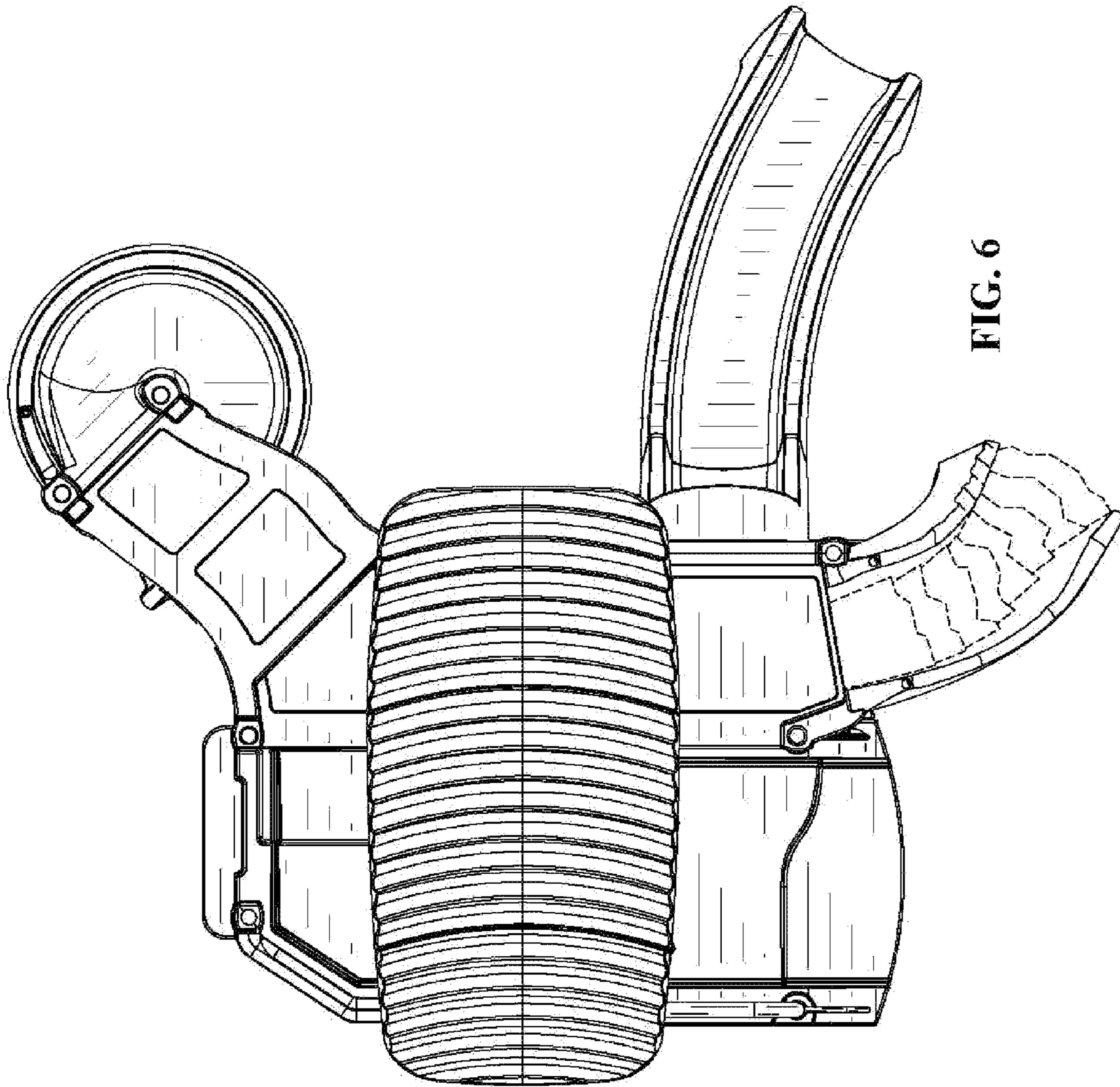


FIG. 6

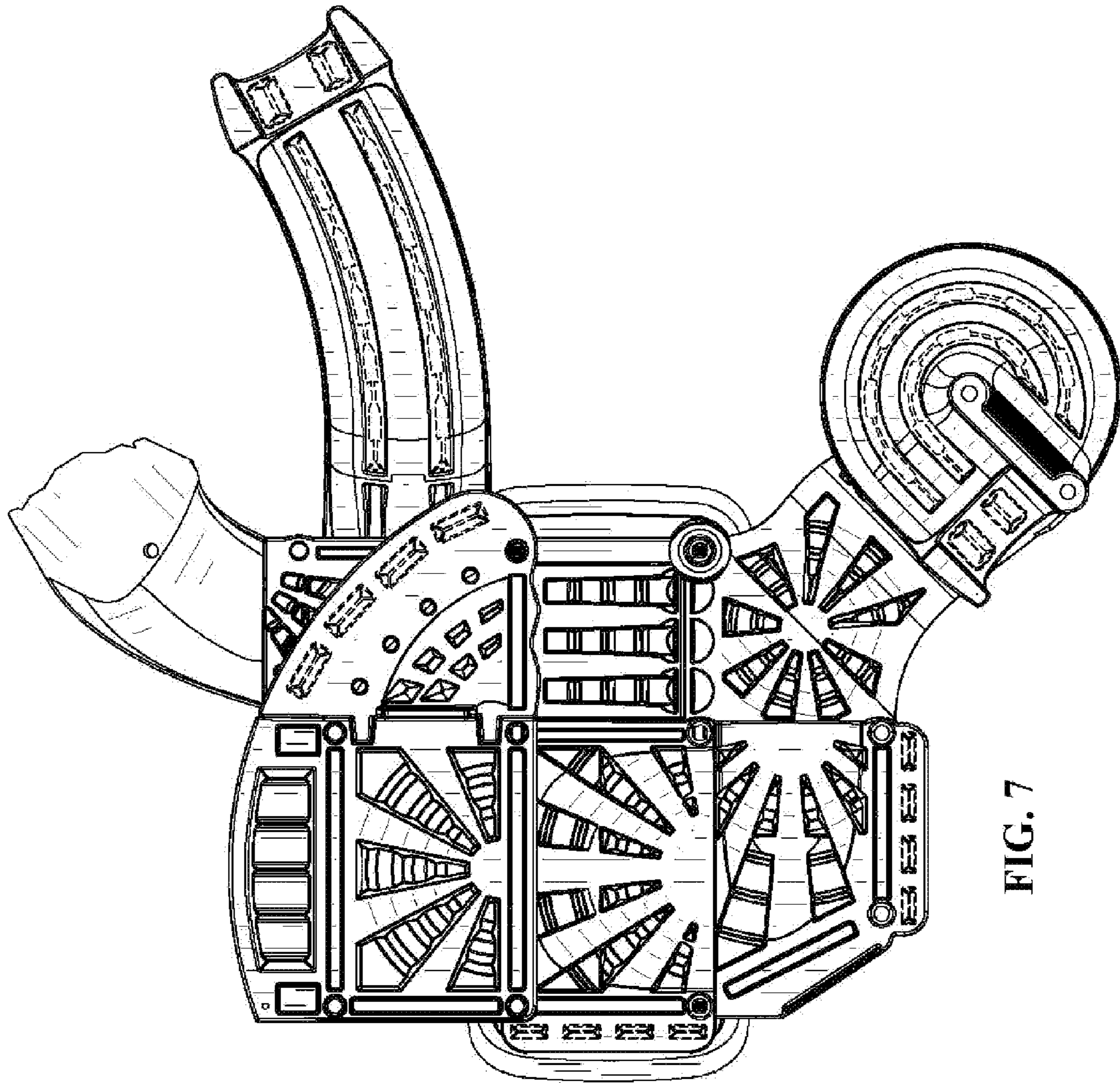


FIG. 7



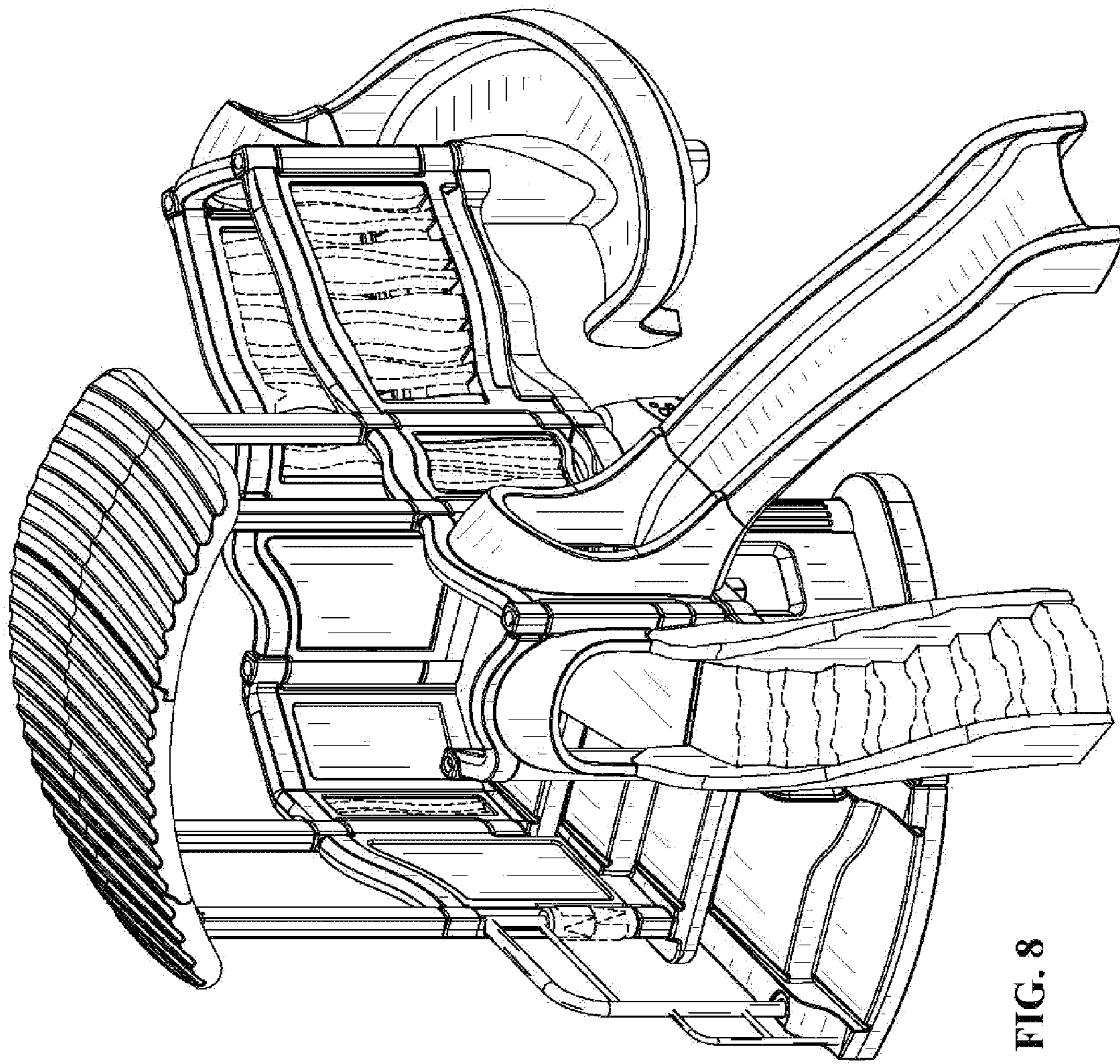


FIG. 8

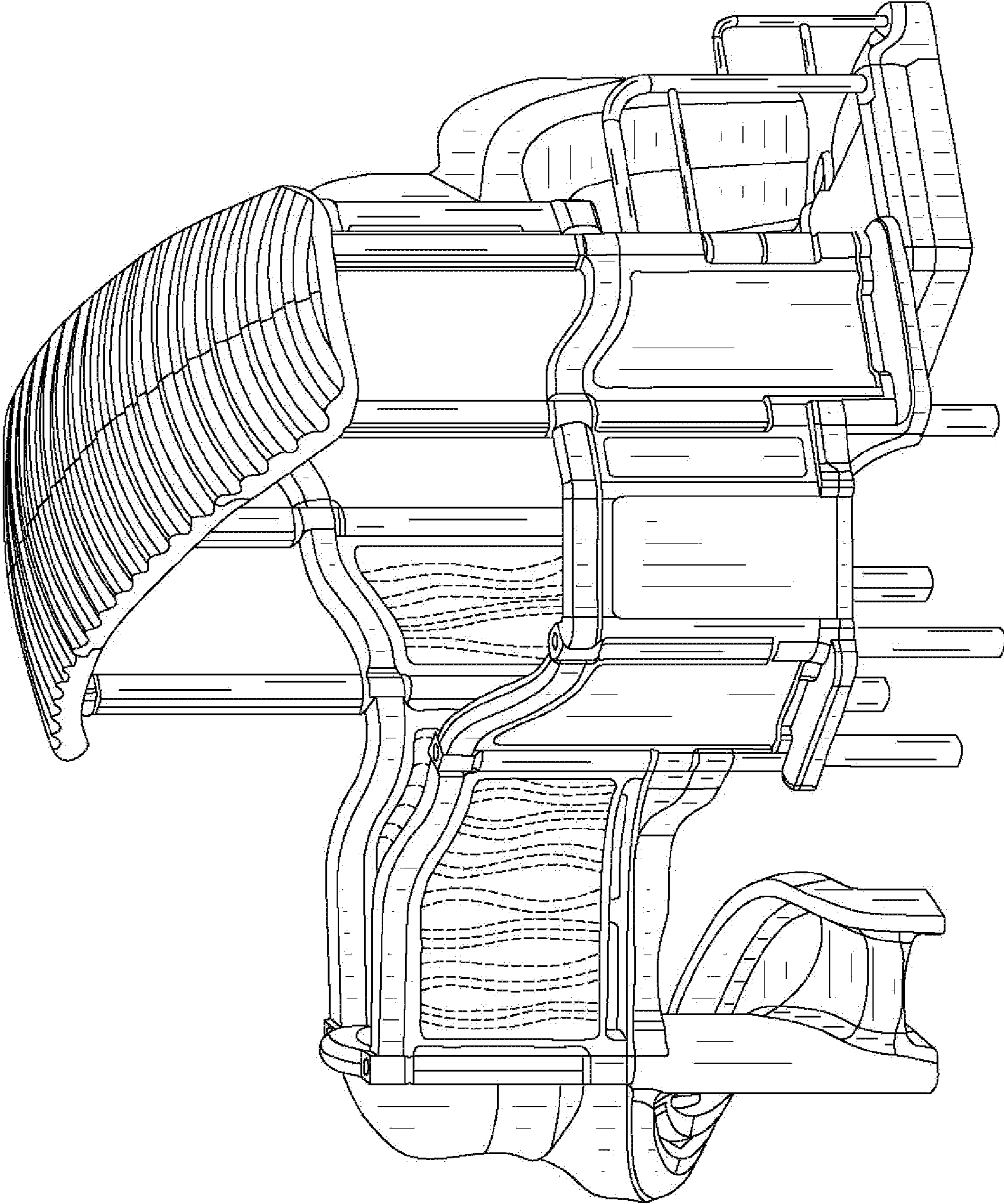


FIG. 9