



US00D577401S

(12) **United States Design Patent**  
**Oldknow et al.**

(10) **Patent No.:** **US D577,401 S**

(45) **Date of Patent:** **\*\* Sep. 23, 2008**

(54) **GOLF CLUB HEAD**

(75) Inventors: **Andrew G. V. Oldknow**, Beaverton, OR  
(US); **John T. Stites**, Weatherford, TX  
(US)

(73) Assignee: **Nike, Inc.**, Beaverton, OR (US)

(\*\*) Term: **14 Years**

(21) Appl. No.: **29/306,198**

(22) Filed: **Apr. 3, 2008**

(51) **LOC (8) Cl.** ..... **21-02**

(52) **U.S. Cl.** ..... **D21/759**

(58) **Field of Classification Search** ..... D21/733,  
D21/752, 753, 759; 473/324-331, 343-346  
See application file for complete search history.

(56) **References Cited**

**U.S. PATENT DOCUMENTS**

D247,922 S	5/1978	Sheldon
D343,665 S	1/1994	Feche et al.
D355,686 S	2/1995	Hlinka
5,456,469 A	10/1995	MacDougall
D369,392 S	4/1996	Adams et al.
D374,899 S	10/1996	Mahaffey
D389,885 S	1/1998	Mahaffey et al.
D390,616 S	2/1998	Maltby
D399,289 S	10/1998	Sheets et al.
D416,967 S	11/1999	Ackerman
D437,017 S	1/2001	Ford
D442,244 S	5/2001	Olsavsky et al.
D444,522 S	7/2001	Crousore
D453,203 S	1/2002	Madore et al.
D458,325 S	6/2002	Antonious
D461,513 S	8/2002	Madore et al.
D461,862 S	8/2002	Madore
D465,535 S	11/2002	Liou
6,530,847 B1	3/2003	Antonious

D479,867 S	9/2003	Saliba et al.
D481,087 S	10/2003	Antonious
D489,425 S	5/2004	Rice et al.
D490,489 S *	5/2004	Madore ..... D21/759
D498,508 S	11/2004	Antonious
D499,157 S *	11/2004	Antonious ..... D21/752
D499,158 S	11/2004	Imamoto

(Continued)

**OTHER PUBLICATIONS**

Edwin Watts Summer 1998 Catalog, Taylor Made Ti Bubble 2 Woods, p. 8, dated 1998.

(Continued)

*Primary Examiner*—Mitchell I Siegel  
(74) *Attorney, Agent, or Firm*—Banner & Witcoff, Ltd.

(57) **CLAIM**

The ornamental design for a golf club head, as shown and described.

**DESCRIPTION**

FIG. 1 is a bottom rear perspective view of a golf club head showing our new design;

FIG. 2 is a bottom front perspective view thereof;

FIG. 3 is a bottom view thereof;

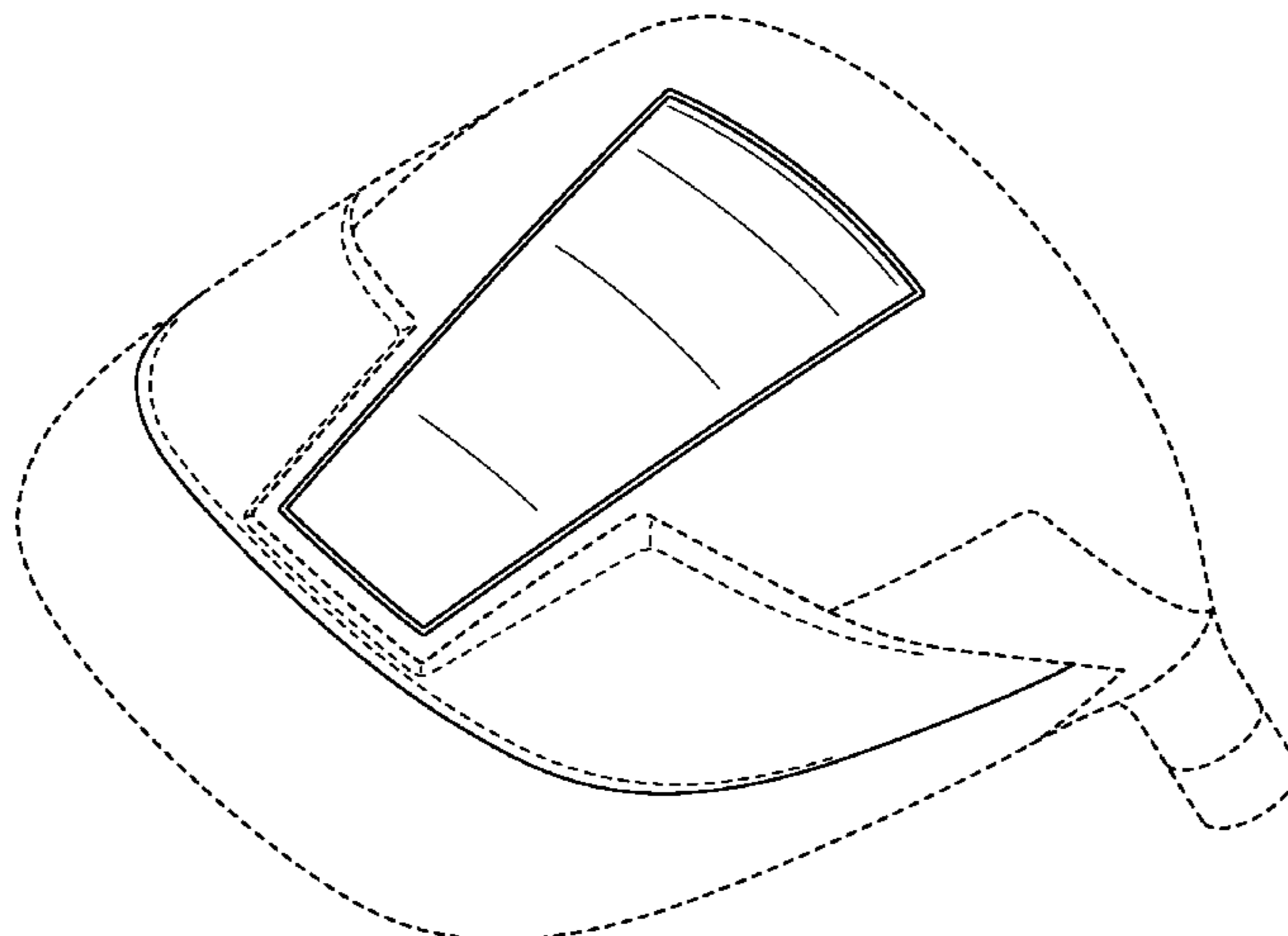
FIG. 4 is a heel end view thereof;

FIG. 5 is a toe end view thereof; and,

FIG. 6 is a front view thereof.

The broken line showing of the remainder of the golf club head is for illustrative purposes only and forms no part of the claimed design.

**1 Claim, 5 Drawing Sheets**



# US D577,401 S

Page 2

## U.S. PATENT DOCUMENTS

6,863,624 B1 3/2005 Kessler  
D507,615 S 7/2005 Imamoto  
D509,552 S 9/2005 Madore  
D510,397 S 10/2005 Madore  
D512,473 S 12/2005 Madore  
D514,184 S 1/2006 Kawami  
D515,642 S 2/2006 Antonious  
D518,123 S 3/2006 Jones et al.  
D524,392 S \* 7/2006 Madore et al. .... D21/759  
D524,393 S \* 7/2006 Madore et al. .... D21/759  
D524,394 S \* 7/2006 Madore et al. .... D21/759  
D524,395 S \* 7/2006 Madore et al. .... D21/759  
D524,396 S \* 7/2006 Madore et al. .... D21/759  
D524,397 S \* 7/2006 Madore et al. .... D21/759  
D524,398 S 7/2006 Madore et al.  
D524,399 S 7/2006 Madore et al.  
D532,470 S 11/2006 Oldknow  
D532,471 S \* 11/2006 Oldknow ..... D21/752  
D532,854 S \* 11/2006 Oldknow ..... D21/752  
D532,855 S 11/2006 Madore et al.  
D534,229 S 12/2006 Barez et al.  
D535,713 S 1/2007 Barez et al.  
D537,895 S 3/2007 Breier et al.  
D538,368 S \* 3/2007 Rollinson et al. .... D21/752  
D543,253 S \* 5/2007 Oldknow ..... D21/759  
D543,600 S 5/2007 Oldknow  
D544,058 S \* 6/2007 Oldknow ..... D21/759  
D544,557 S \* 6/2007 Oldknow ..... D21/759  
D544,558 S \* 6/2007 Oldknow ..... D21/759  
D544,559 S 6/2007 Oldknow  
D544,561 S \* 6/2007 Oldknow ..... D21/759  
D544,560 S 7/2007 Oldknow  
D550,318 S \* 9/2007 Oldknow ..... D21/759  
D550,800 S \* 9/2007 Ruggiero et al. .... D21/759

D553,210 S \* 10/2007 Harvell et al. .... D21/752  
D553,211 S \* 10/2007 Harvell et al. .... D21/752  
D553,216 S \* 10/2007 Harvell et al. .... D21/759  
D553,217 S \* 10/2007 Harvell et al. .... D21/759  
D554,213 S 10/2007 Tang et al.  
D561,856 S 2/2008 Barez et al.

## OTHER PUBLICATIONS

Edwin Watts Summer 2003 Catalog, Macgregor V-Cavity, p. 72, dated 2003.  
Edwin Watts Late Summer 2004 Catalog, Taylor Made 200 Series, p. 84, dated 2004.  
Edwin Watts Late Summer 2004 Catalog, Taylor Made 300 Series, p. 84, dated 2004.  
Edwin Watts Summer 2002 Catalog, Taylor Made 200 Steel Driver, p. 9, dated 2002.  
Edwin Watts Jan. 2003 Catalog, EV (Extra Velocity) Woods, p. 19, dated Jan. 2003.  
Edwin Watts Spring 2004 Catalog, V Steel Fairway Woods, p. 8, dated 2004.  
Edwin Watts Spring 2004, Adams Ovation Fairway Woods, p. 30, dated 2004.  
Golfsmith 1998 Catalog, XPC3 15-5 Stainless Steel, p. 50, dated 1998.  
Edwin Watts Holiday 2000, Pure Spin Driver and Fairway Woods, p. 29, dated 2000.  
Goldsmith 2001 Catalog, T1 Steel 465, p. 34, dated 2001.  
Golf-Components.com—Senior SV2@ Future Square 460cc (Nike Sumo 5900 clone) Driver, viewed Apr. 3, 2008.  
ProSeries Golf—SV2 Future—Nike Style, viewed Apr. 3, 2008.  
ProSeries Golf—SV2 Future Square—Nike Style, viewed Apr. 3, 2008.  
ProSeries Golf—SV2 Plus Hi MOI Wide Sole—Nike Style, viewed Apr. 3, 2008.

\* cited by examiner

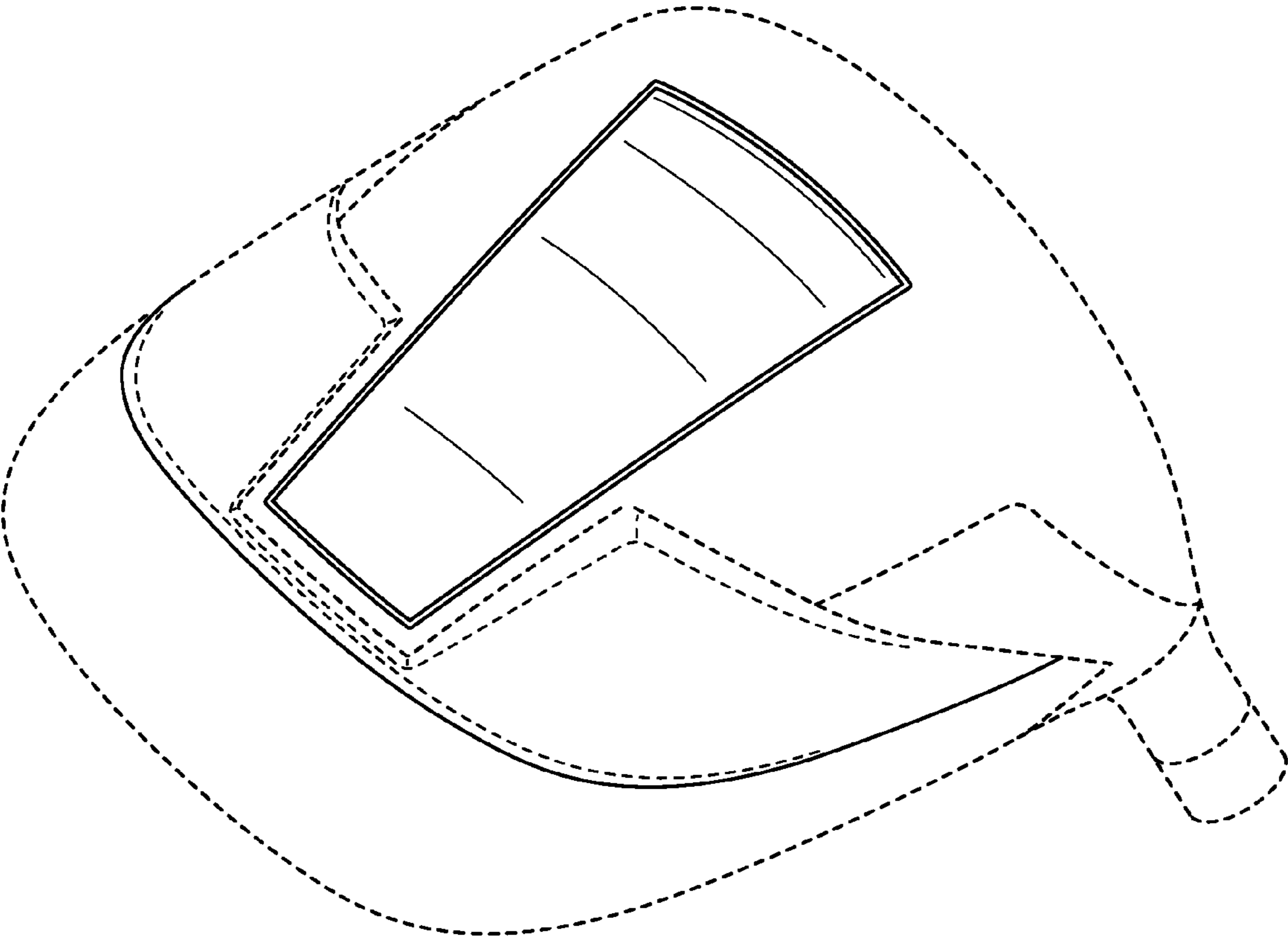


FIG. 1

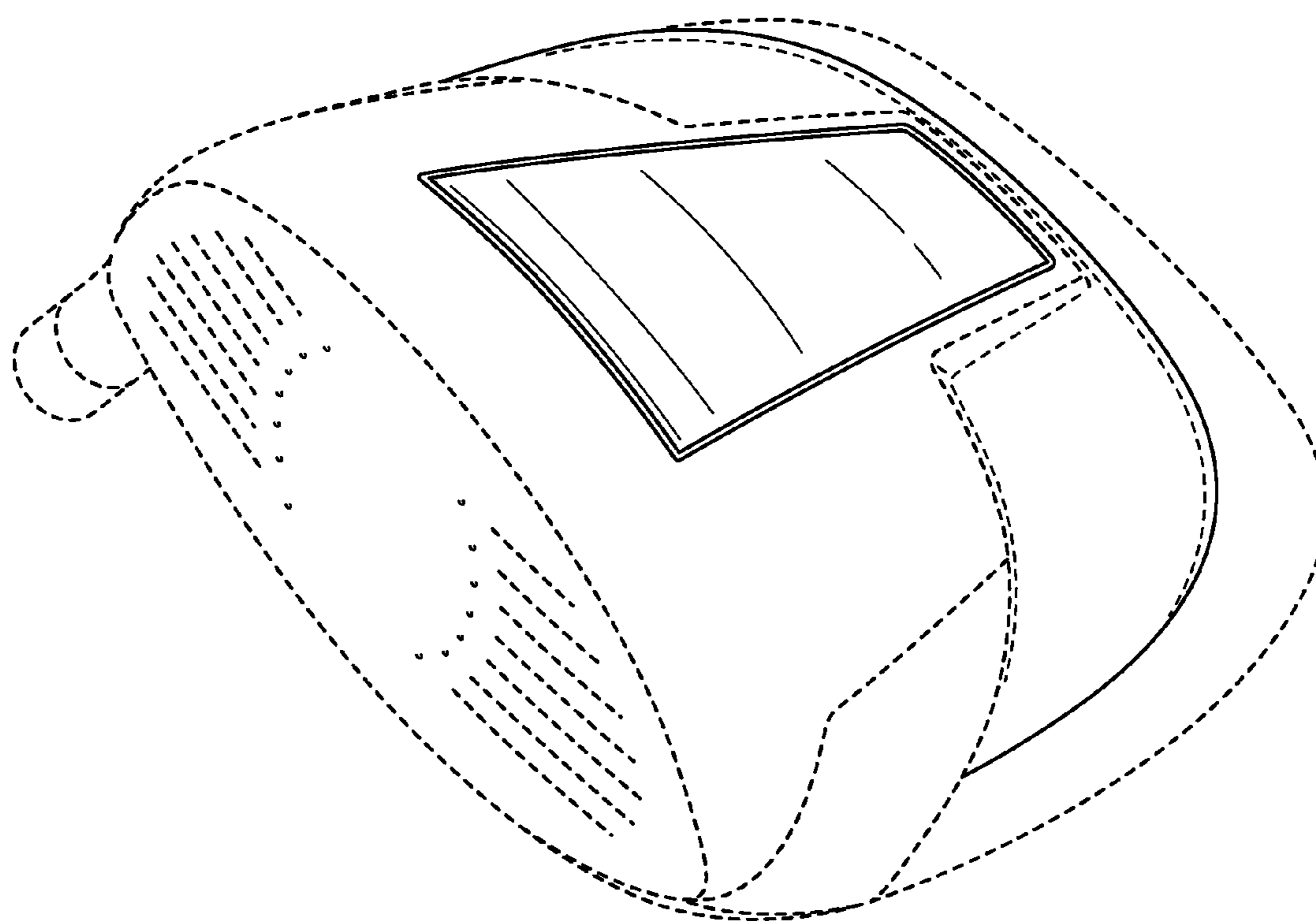


FIG. 2

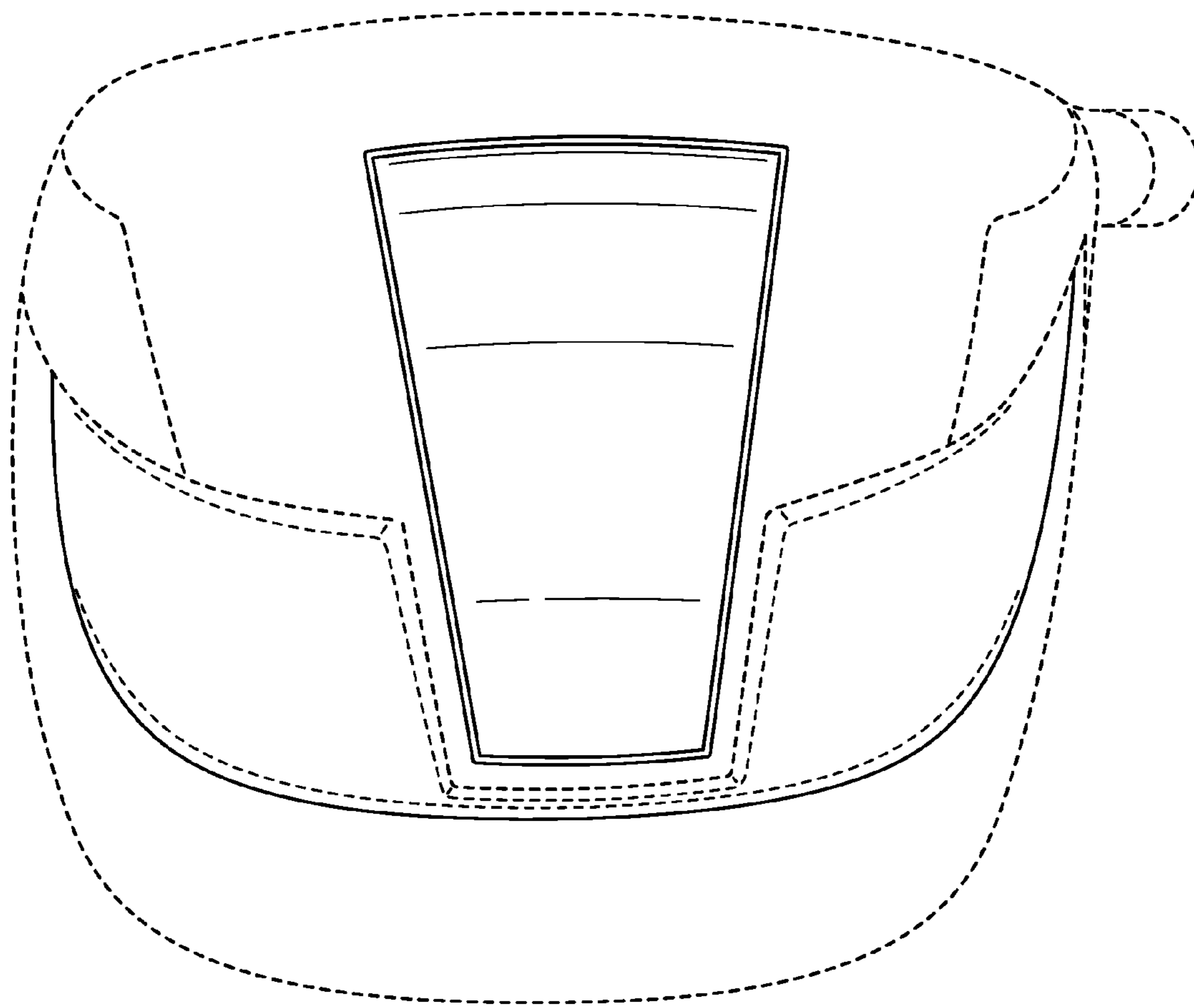


FIG. 3



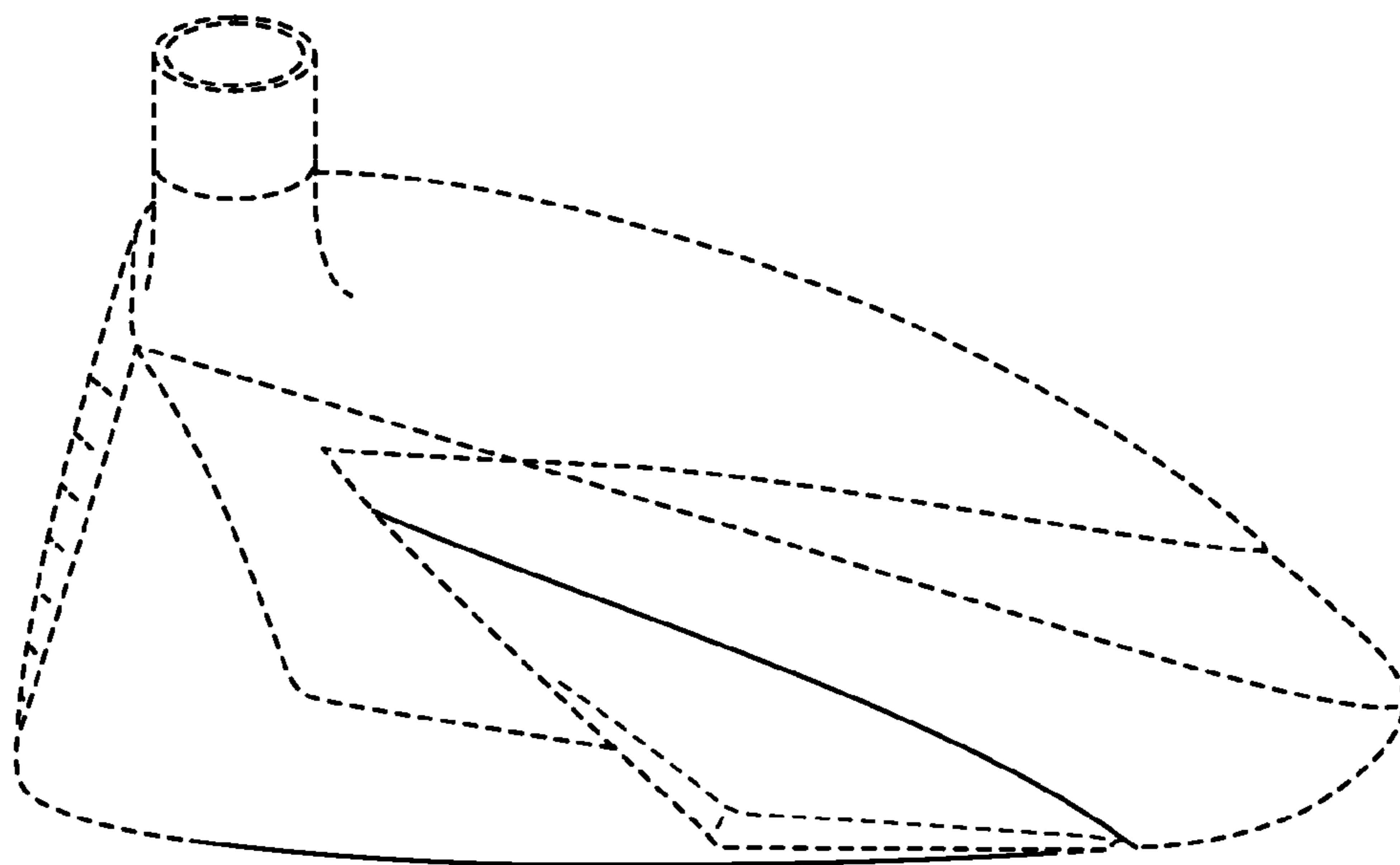


FIG. 4

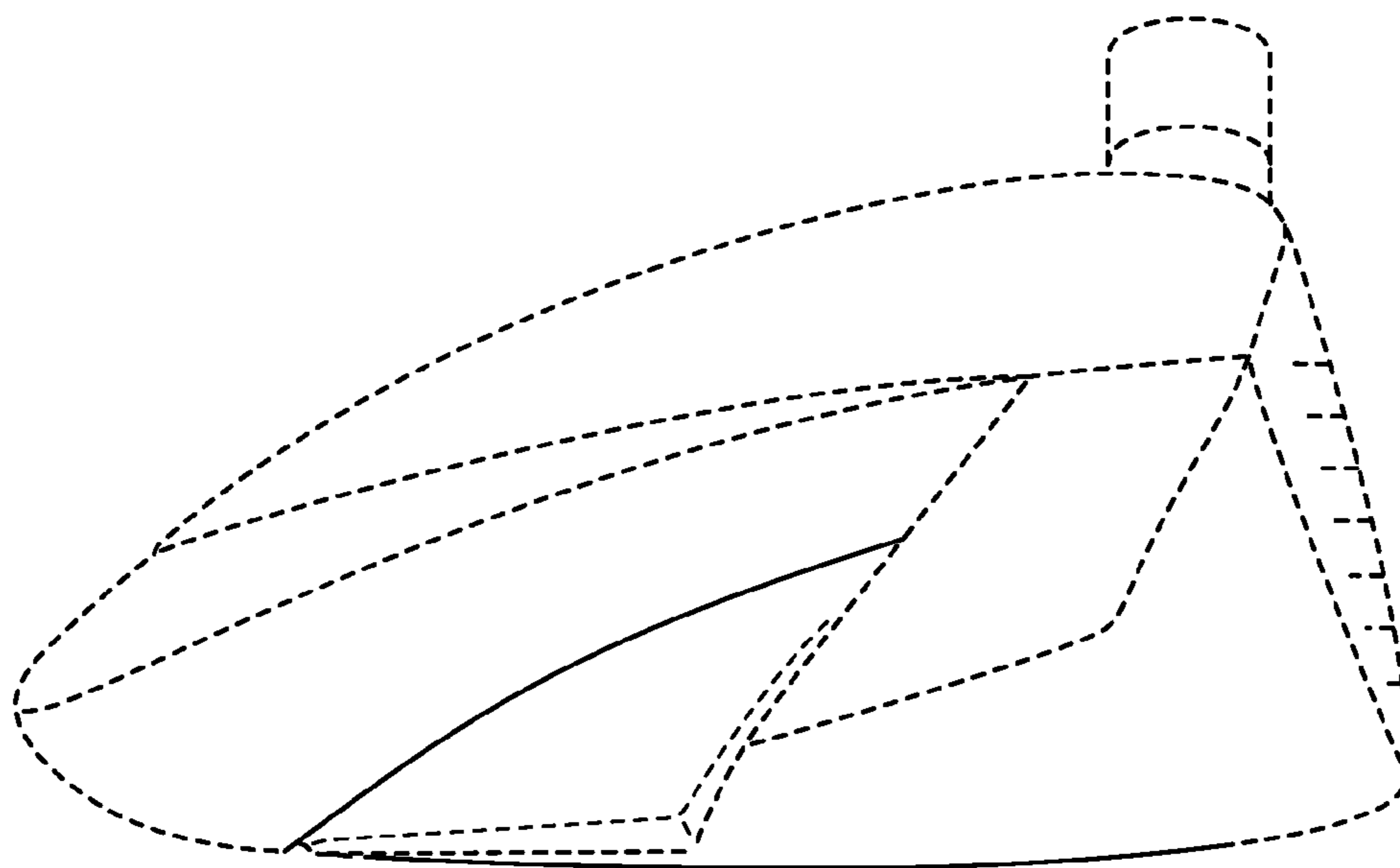


FIG. 5

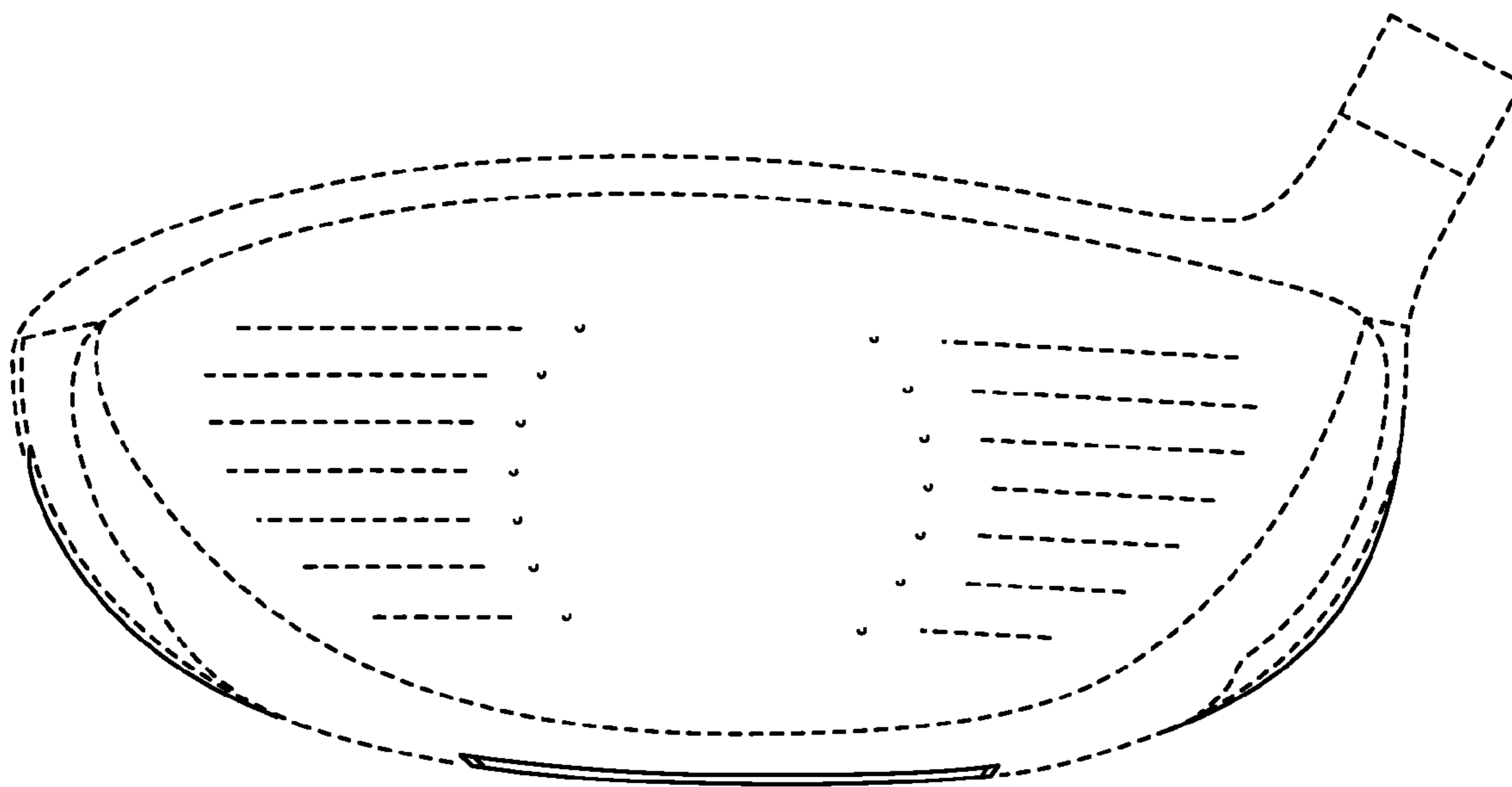


FIG. 6