



US00D577394S

(12) **United States Design Patent**
Wai

(10) **Patent No.:** **US D577,394 S**

(45) **Date of Patent:** **** Sep. 23, 2008**

(54) **HELICOPTER REMOTE CONTROL**

(75) Inventor: **Chi Pok Wai**, Causeway Bay (HK)

(73) Assignee: **Silverlit Toys Manufactory, Ltd.**, Hong Kong (HK)

(**) Term: **14 Years**

(21) Appl. No.: **29/296,627**

(22) Filed: **Oct. 24, 2007**

(51) **LOC (8) Cl.** **21-01**

(52) **U.S. Cl.** **D21/566**

(58) **Field of Classification Search** D21/324,
D21/333, 566; D14/400, 401, 454, 217,
D14/218, 358, 155; D13/168; 446/454-456;
463/6, 7, 37, 38, 39, 46, 47
See application file for complete search history.

(56) **References Cited**

U.S. PATENT DOCUMENTS

D377,198 S * 1/1997 Oikawa et al. D14/401
D433,674 S * 11/2000 Buckley D14/218
D447,778 S * 9/2001 Bao D21/566

D504,430 S * 4/2005 Takahashi et al. D14/401
D546,904 S * 7/2007 Bowen et al. D21/566
2003/0114075 A1 * 6/2003 Moll et al. 446/456
2006/0228987 A1 * 10/2006 Hayashi 446/456

* cited by examiner

Primary Examiner—Holly H. Baynham

Assistant Examiner—Cynthia M Chin

(74) *Attorney, Agent, or Firm*—Greenberg Traurig, LLP

(57) **CLAIM**

The ornamental design for a helicopter remote control, as shown and described.

DESCRIPTION

FIG. 1 is a first perspective view of a helicopter remote control;

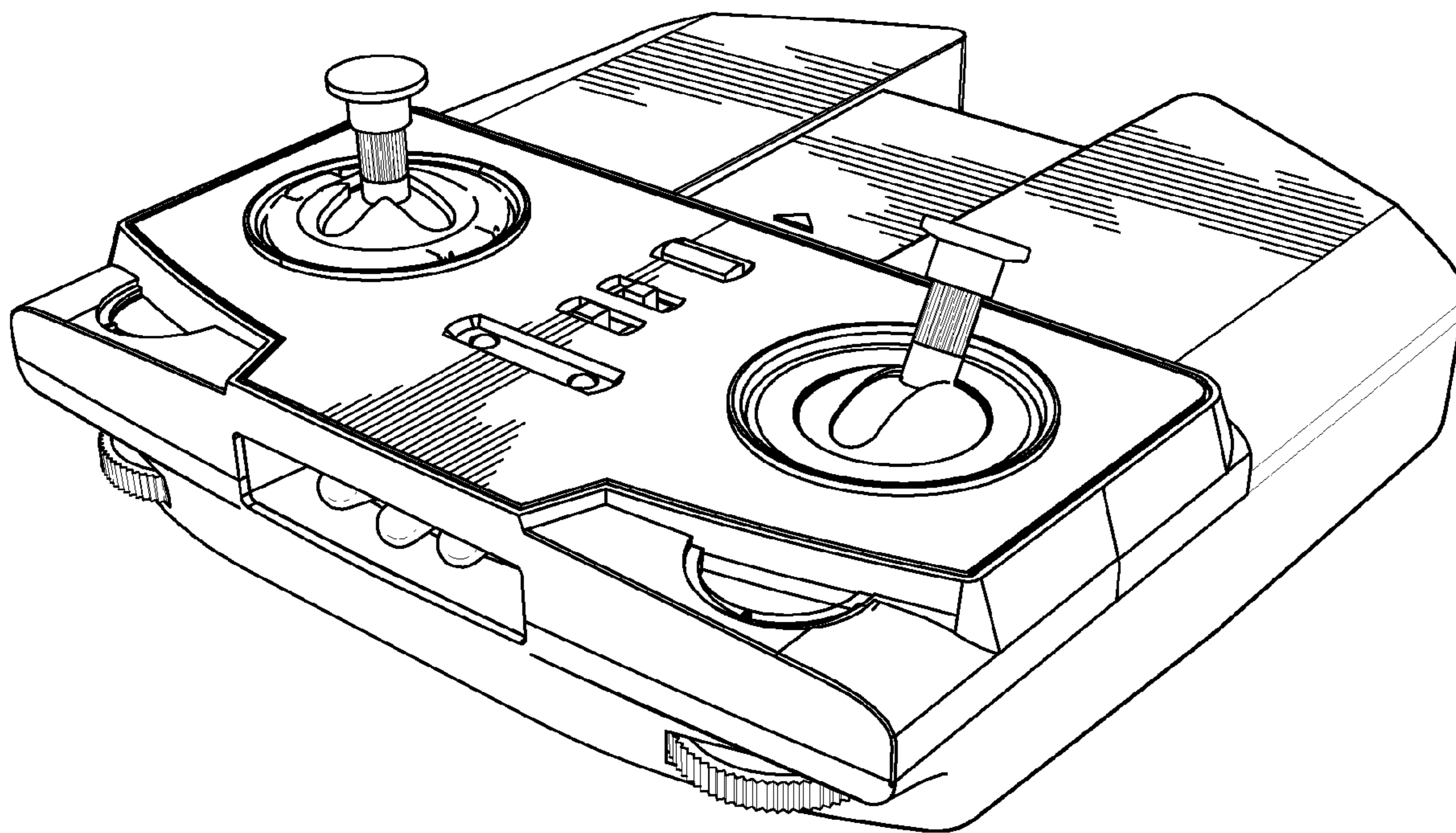
FIG. 2 is a second perspective view of a helicopter remote control;

FIG. 3 is a top view of a helicopter remote control;

FIG. 4 is a side view of a helicopter remote control; and,

FIG. 5 is an opposite side view of a helicopter remote control.

1 Claim, 4 Drawing Sheets



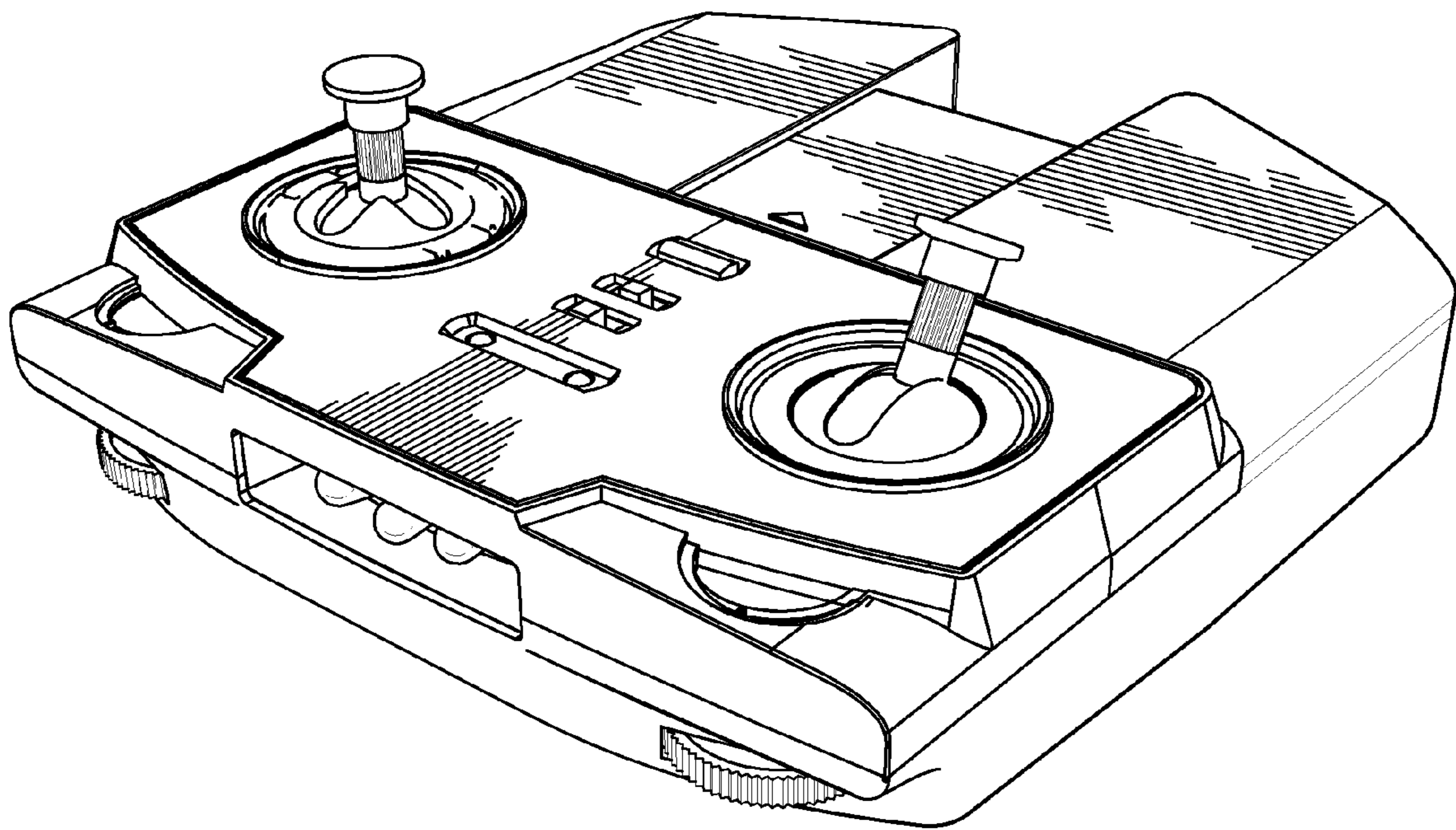


FIG. 1

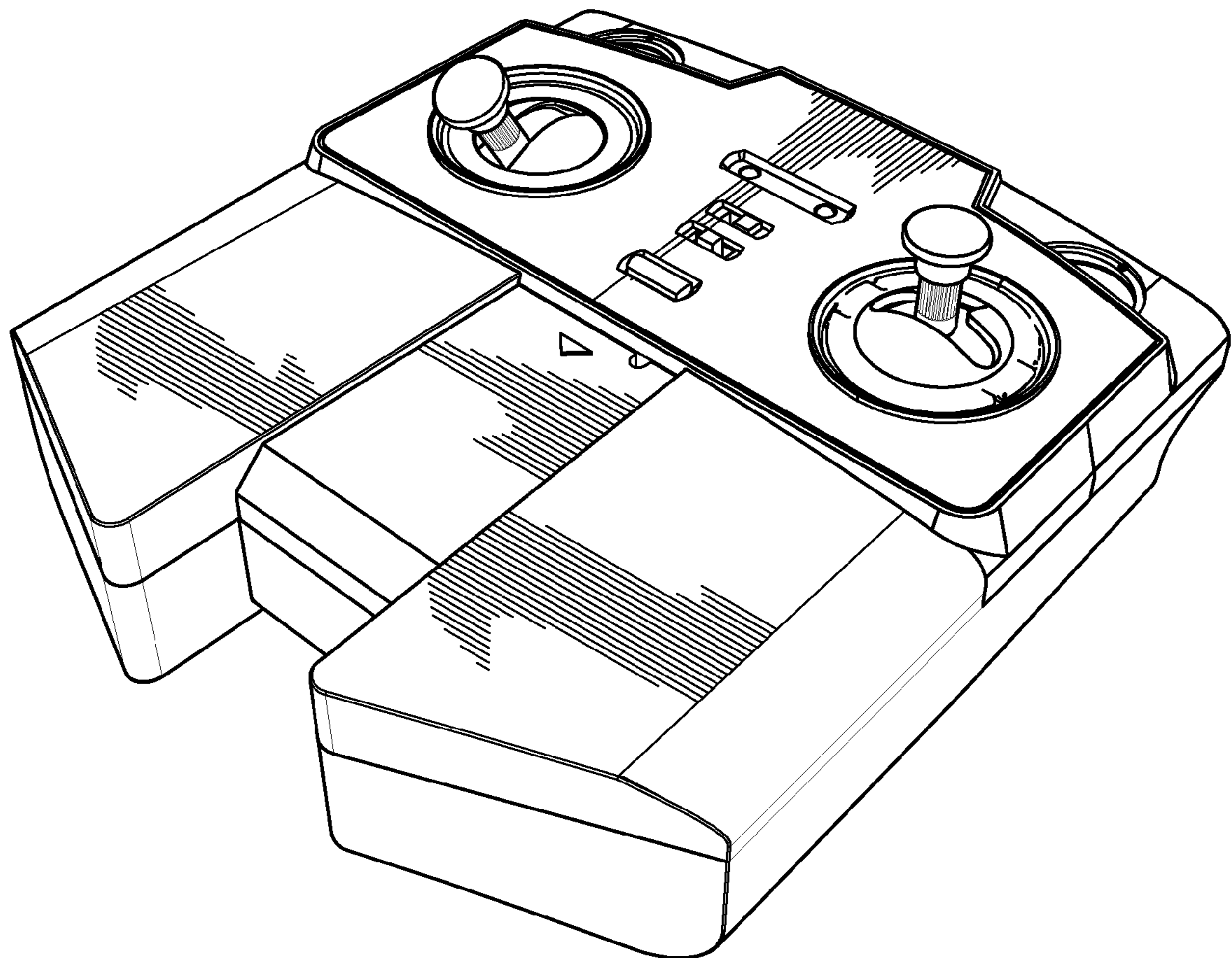


FIG. 2

FIG. 3

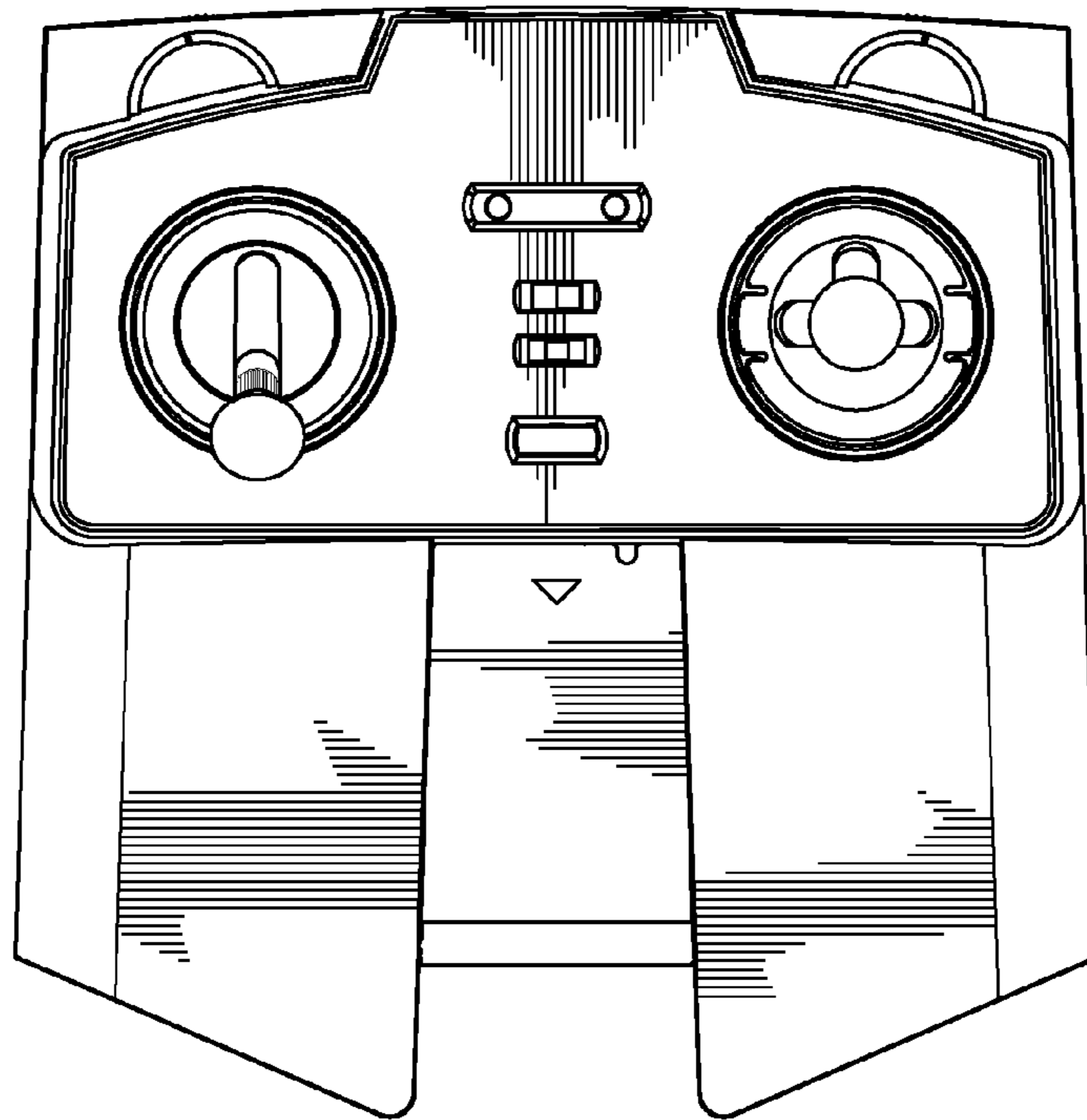
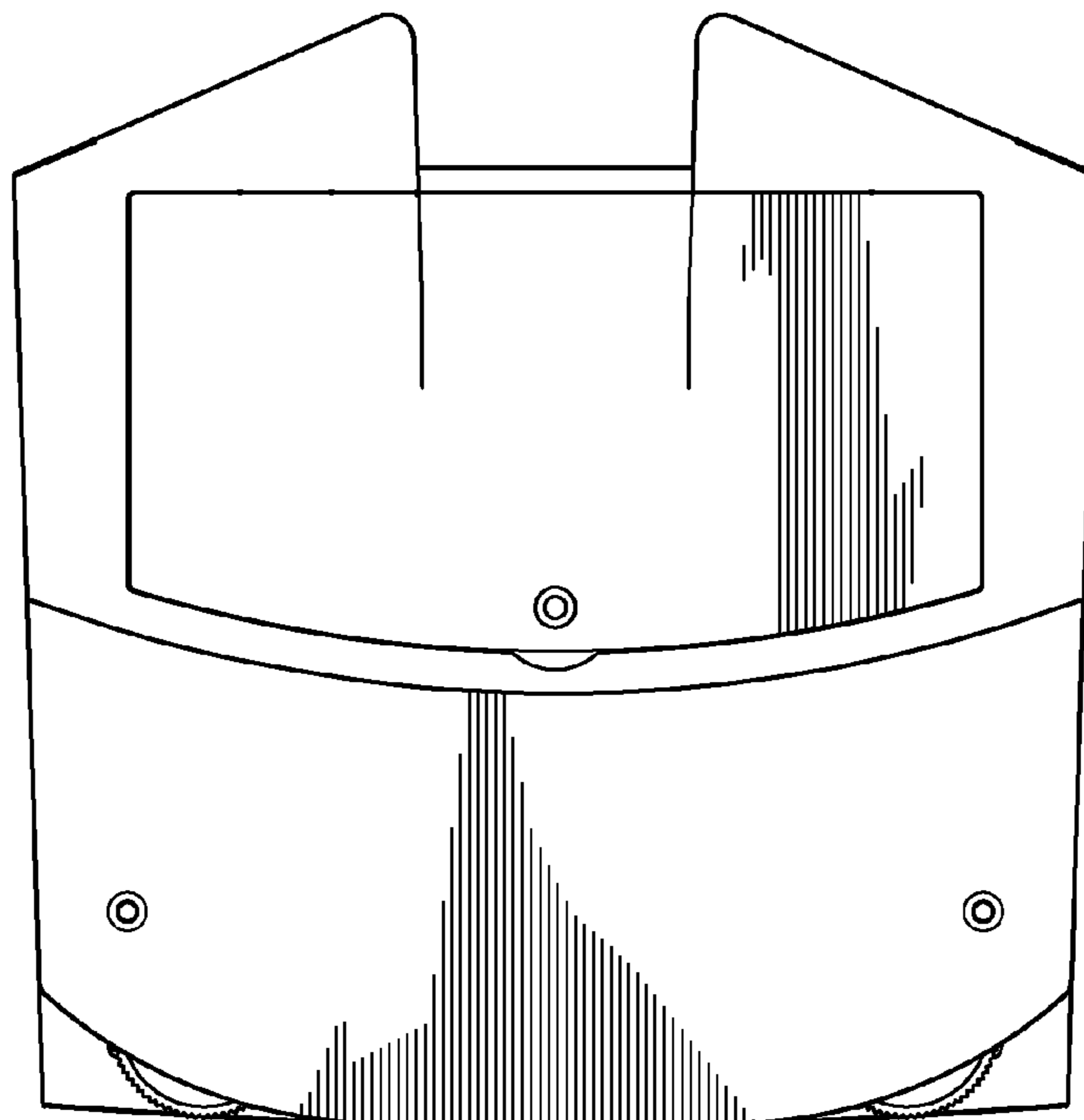


FIG. 4



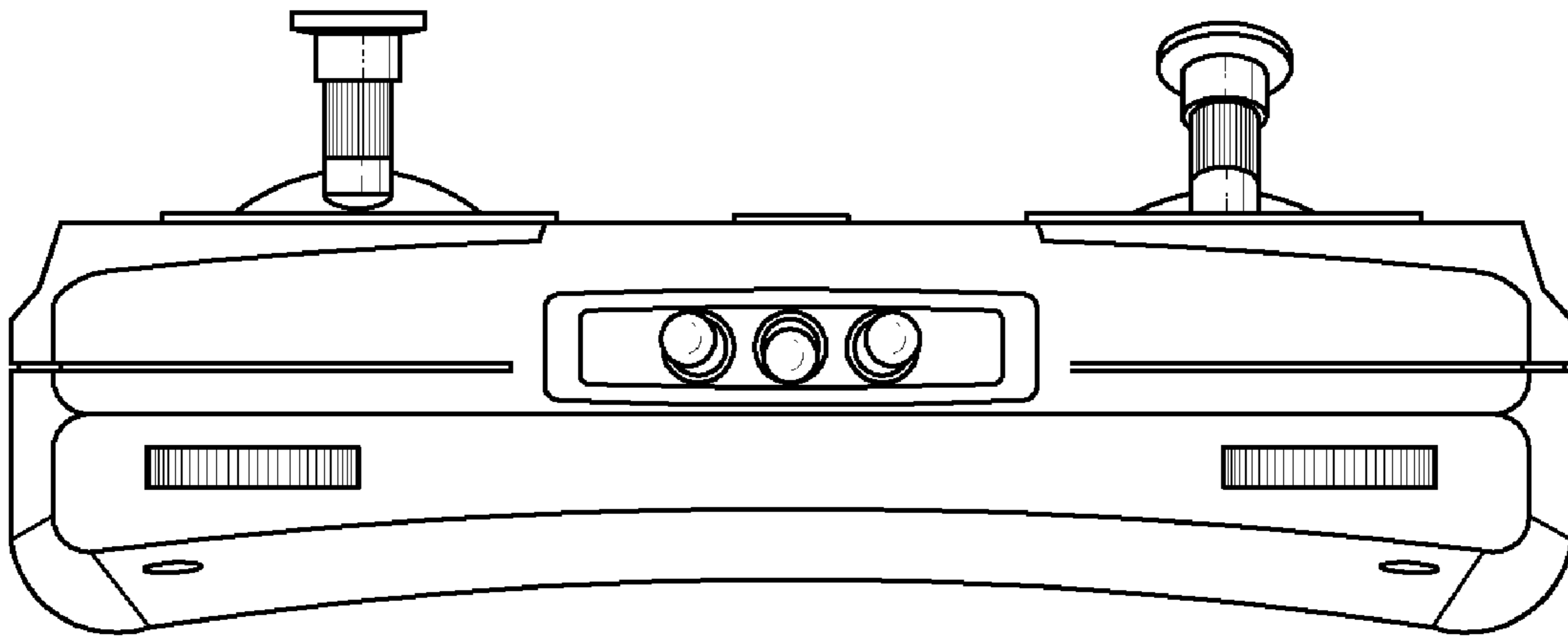


FIG. 5