



US00D577393S

(12) **United States Design Patent**
Nada et al.

(10) **Patent No.:** **US D577,393 S**

(45) **Date of Patent:** **** Sep. 23, 2008**

(54) **TOY BUILDING BLOCK**

(75) Inventors: **Masaharu Nada**, Osaka (JP); **Hiroshi Kamikawa**, Tokyo (JP)

(73) Assignee: **Kokuyo Co., Ltd.**, Osaka (JP)

(**) Term: **14 Years**

(21) Appl. No.: **29/297,405**

(22) Filed: **Nov. 9, 2007**

(30) **Foreign Application Priority Data**

May 11, 2007 (JP) 2007-012422

(51) **LOC (8) Cl.** **21-01**

(52) **U.S. Cl.** **D21/503**

(58) **Field of Classification Search** D21/484,
D21/486, 490, 492-494, 500-503; D8/394,
D8/395; 446/69, 85, 102-128; D19/56;
D28/40

See application file for complete search history.

(56) **References Cited**

U.S. PATENT DOCUMENTS

D313,934 S *	1/1991	Nakao et al.	D8/395
D512,906 S *	12/2005	Wood	D8/395
D516,135 S *	2/2006	Kim	D21/503
D517,616 S *	3/2006	Kim	D21/503
D517,617 S *	3/2006	Kim	D21/503
D518,367 S *	4/2006	Hay	D8/395
D525,117 S *	7/2006	Mariano et al.	D8/395
D563,779 S *	3/2008	Yip et al.	D8/395

* cited by examiner

Primary Examiner—Holly H. Baynham

Assistant Examiner—Cynthia M Chin

(74) *Attorney, Agent, or Firm*—Osha Liang LLP

(57) **CLAIM**

The ornamental design for a toy building block, as shown and described.

DESCRIPTION

FIG. 1 is a front view of the design according to the invention.

FIG. 2 is a rear view of the design according to the invention.

FIG. 3 is a plan view of the design according to the invention.

FIG. 4 is a right side view of the design according to the invention.

FIG. 5 is a left side view of the design according to the invention.

FIG. 6 is a sectional view along line 6—6 in FIG. 1 according to the invention.

FIG. 7 is a perspective view of the design showing that the clip portions of the design are opened.

FIG. 8 is a plan view of the design showing that the clip portions of the design are opened.

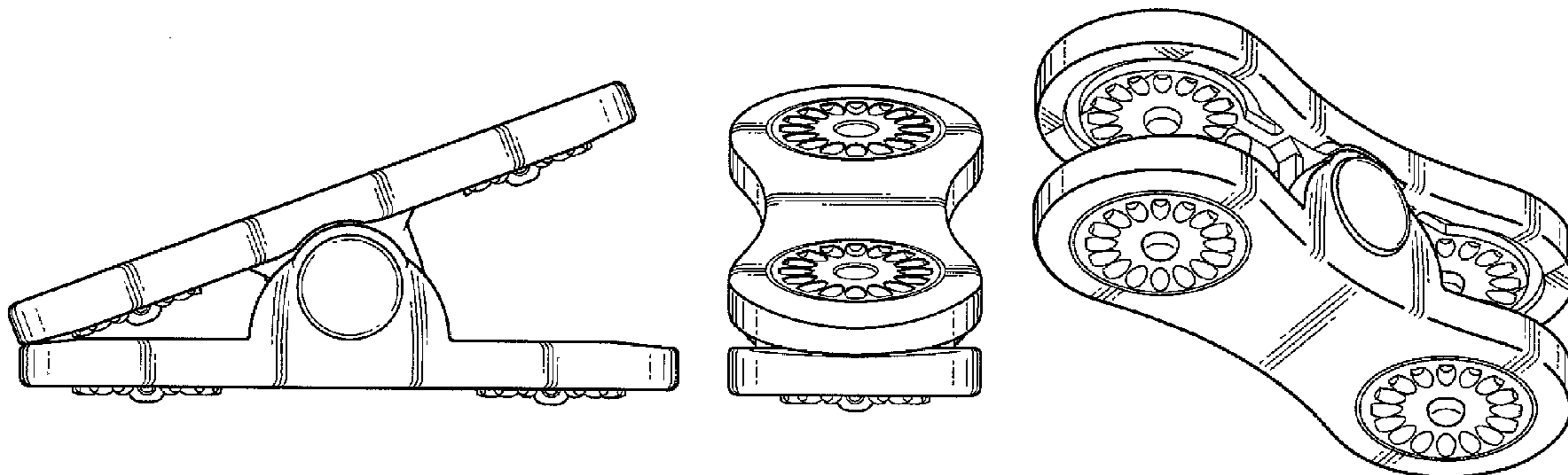
FIG. 9 is a sectional view of the line 9—9 in FIG. 8 according to the invention.

FIG. 10 is a sectional view of the line 10—10 in FIG. 8 according to the invention; and,

FIG. 11 is a perspective view showing an environmental use thereof, which shows portions that are not part of the claimed design and a plurality of the claimed designs.

The elements shown in broken lines are for illustrative purposes only and form no part of the claimed invention.

1 Claim, 4 Drawing Sheets



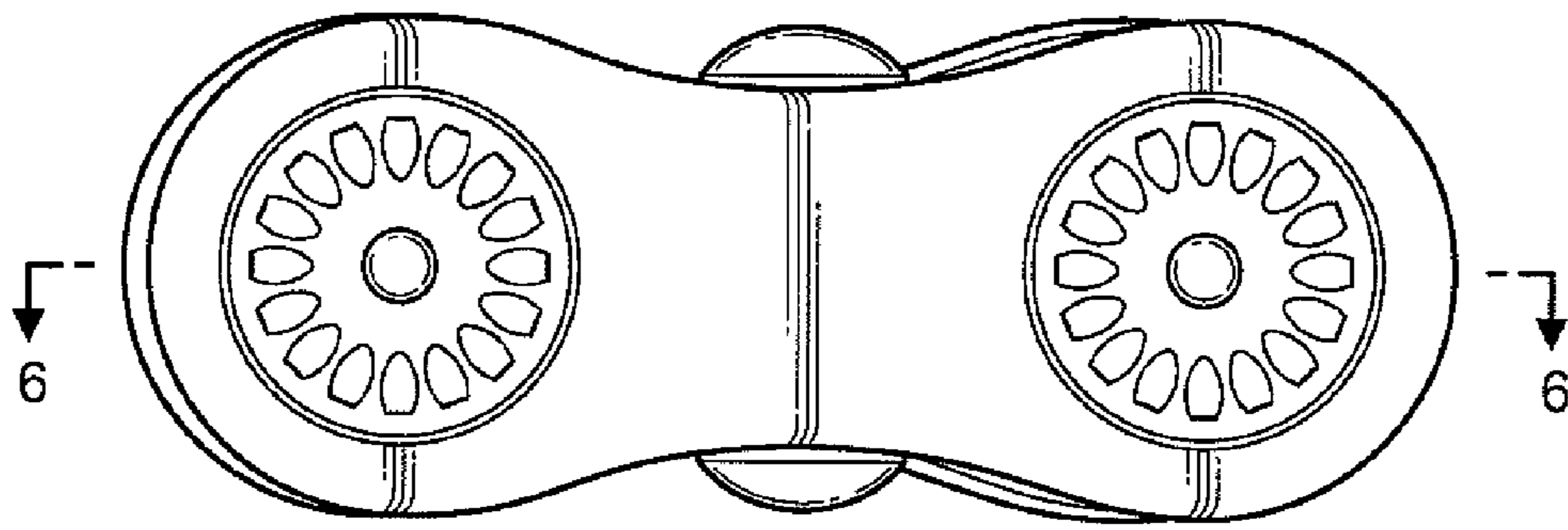


FIG. 1

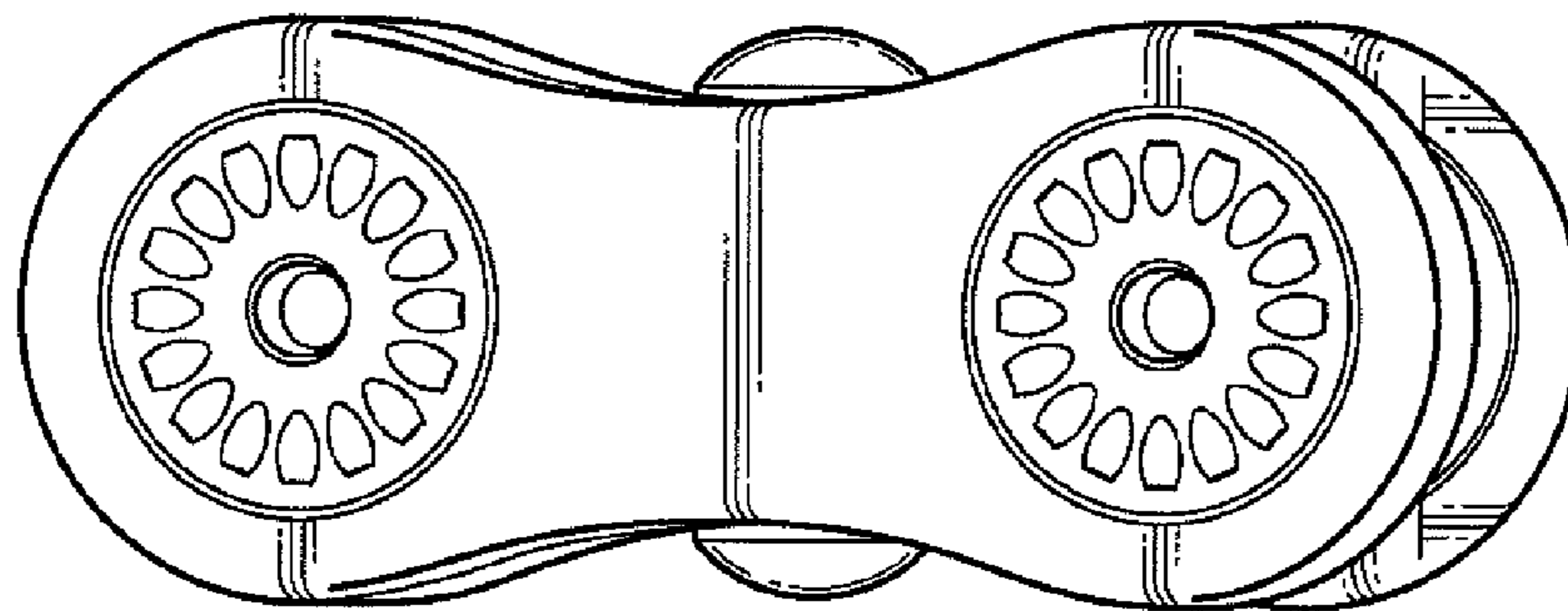


FIG. 2

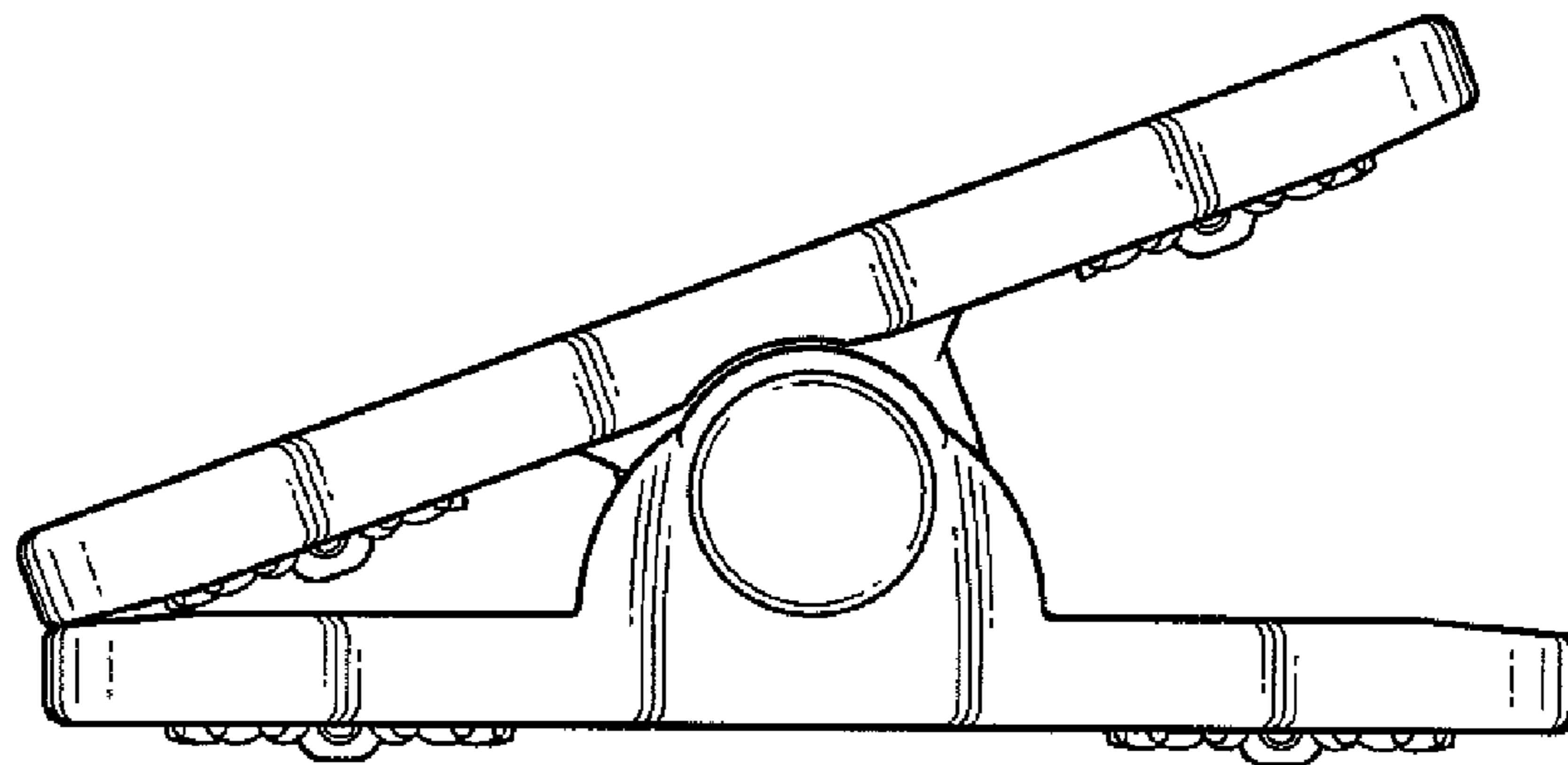


FIG. 3

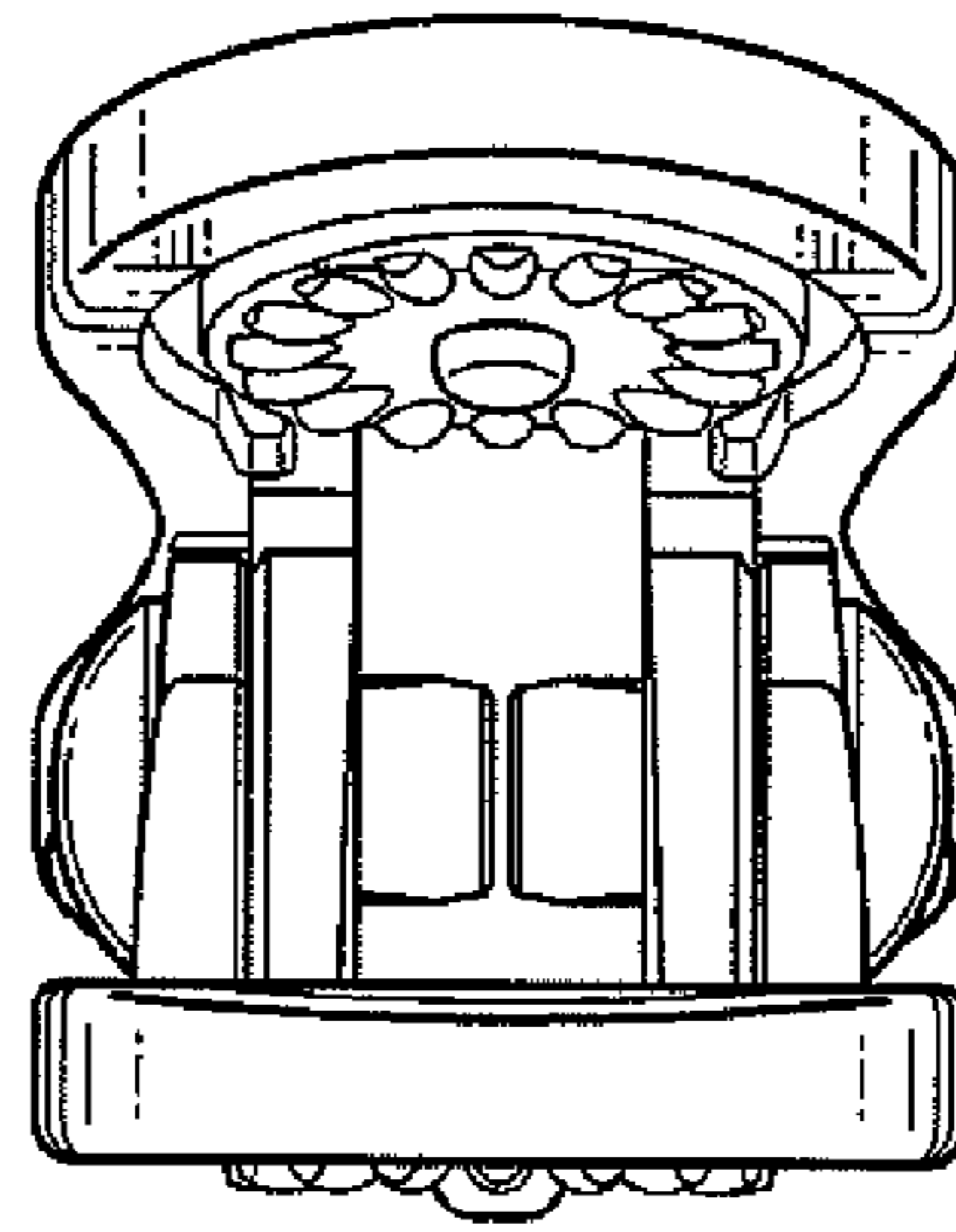


FIG. 4

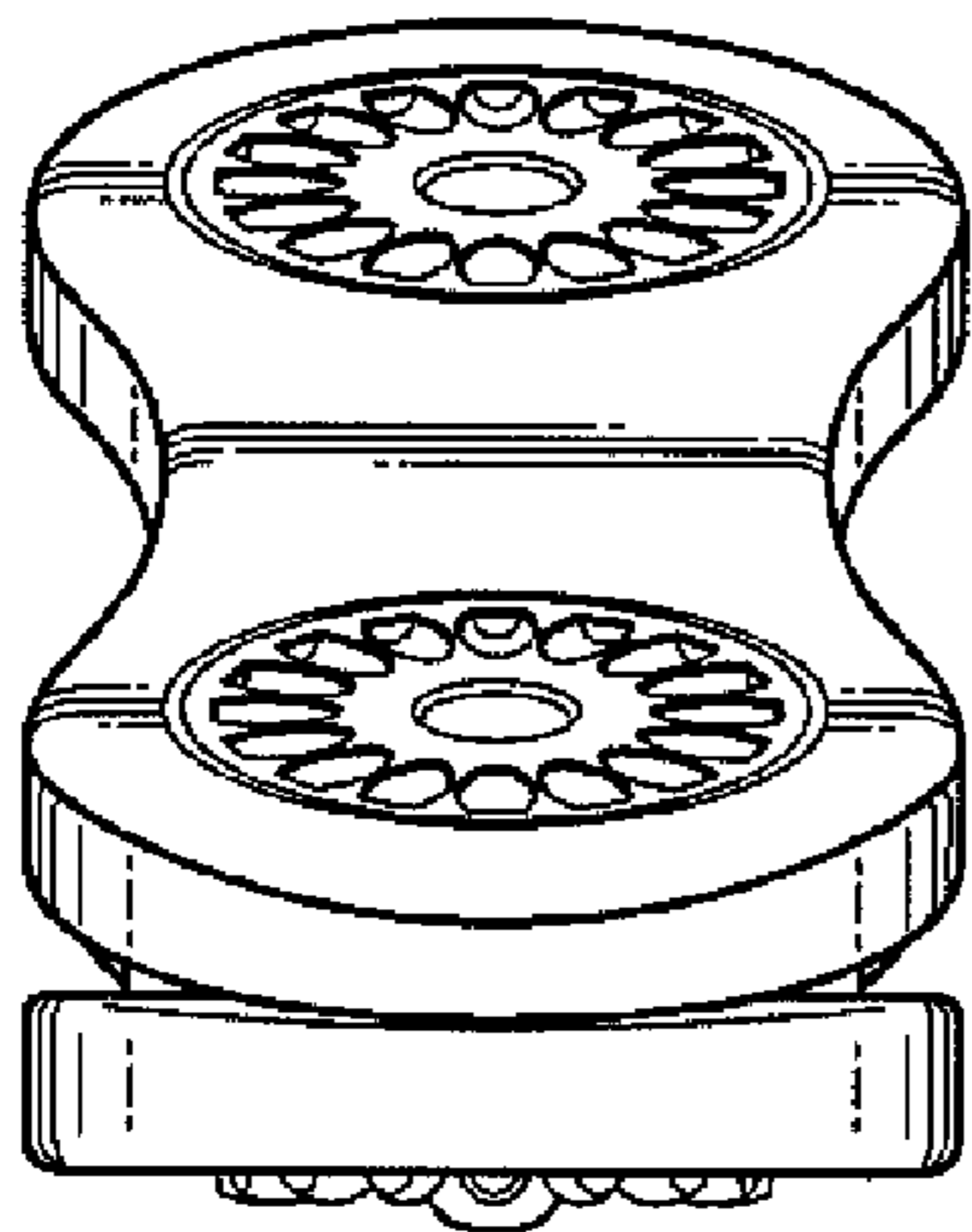


FIG. 5

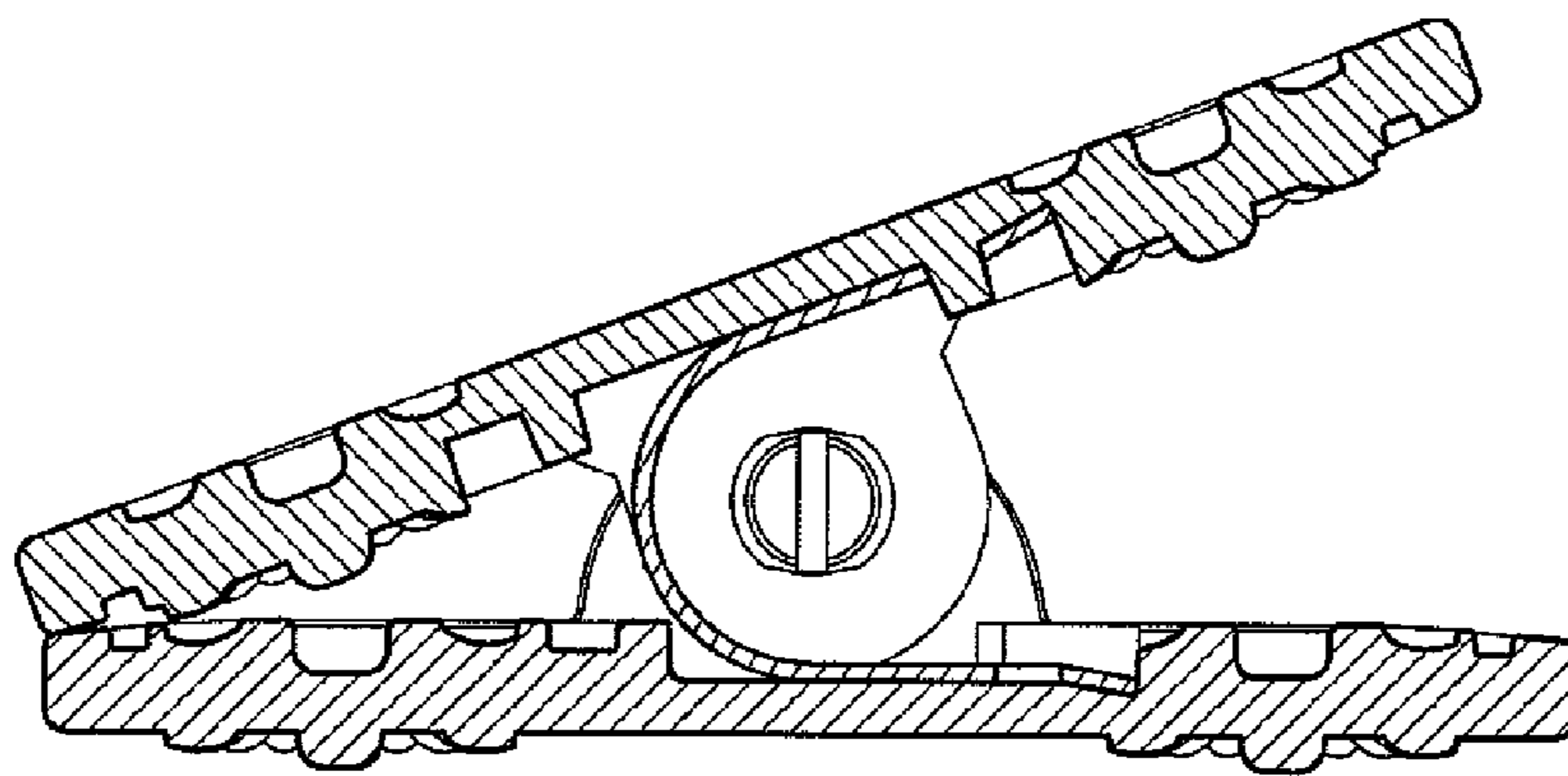


FIG. 6

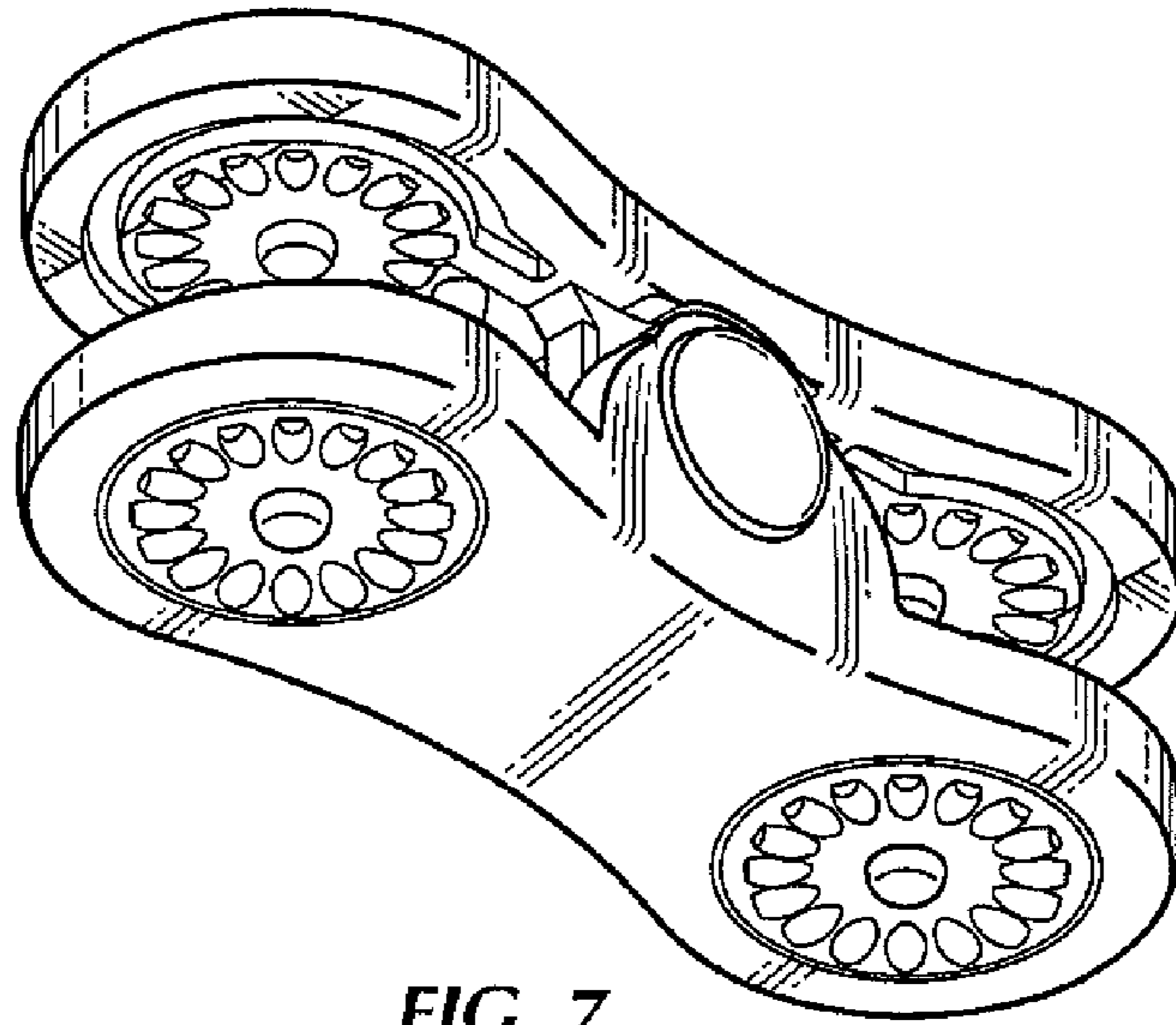


FIG. 7

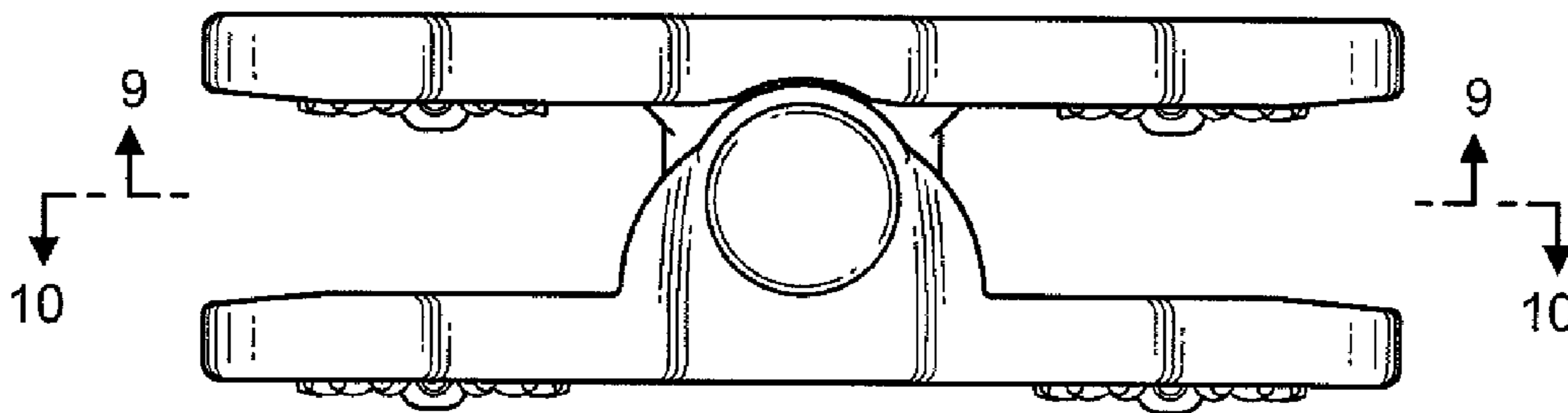


FIG. 8

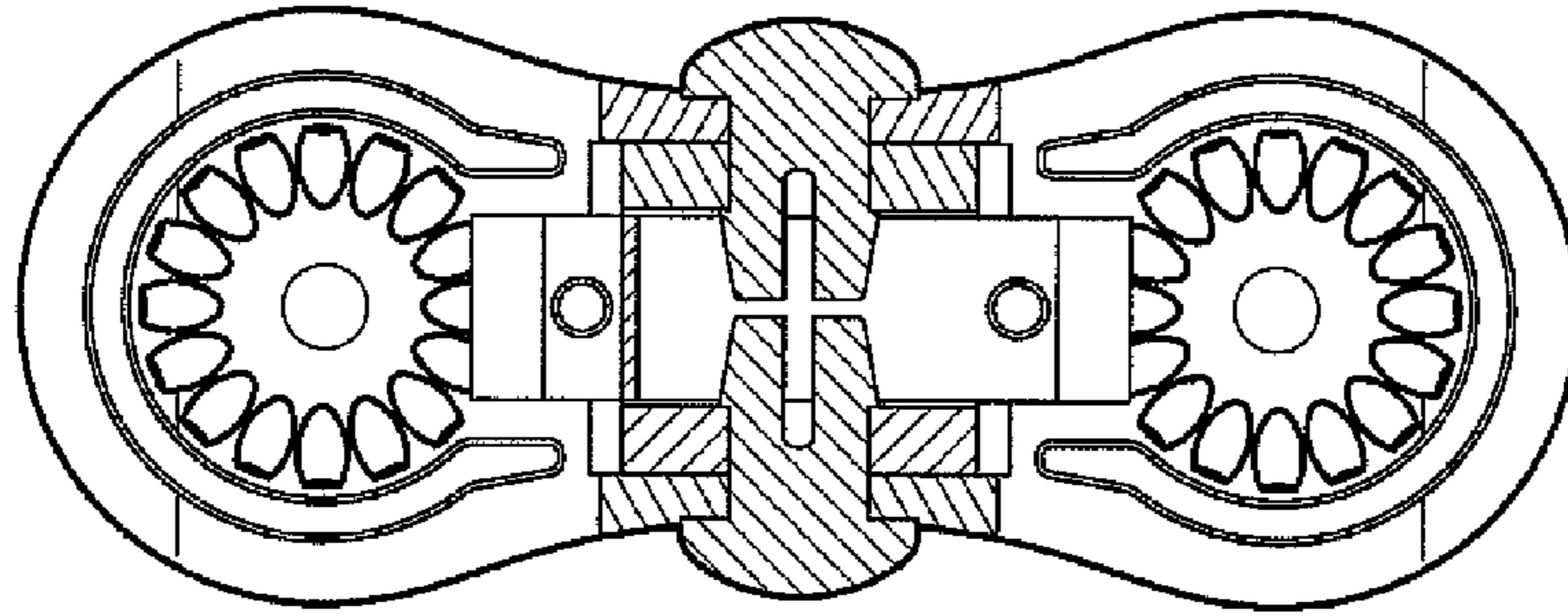


FIG. 9

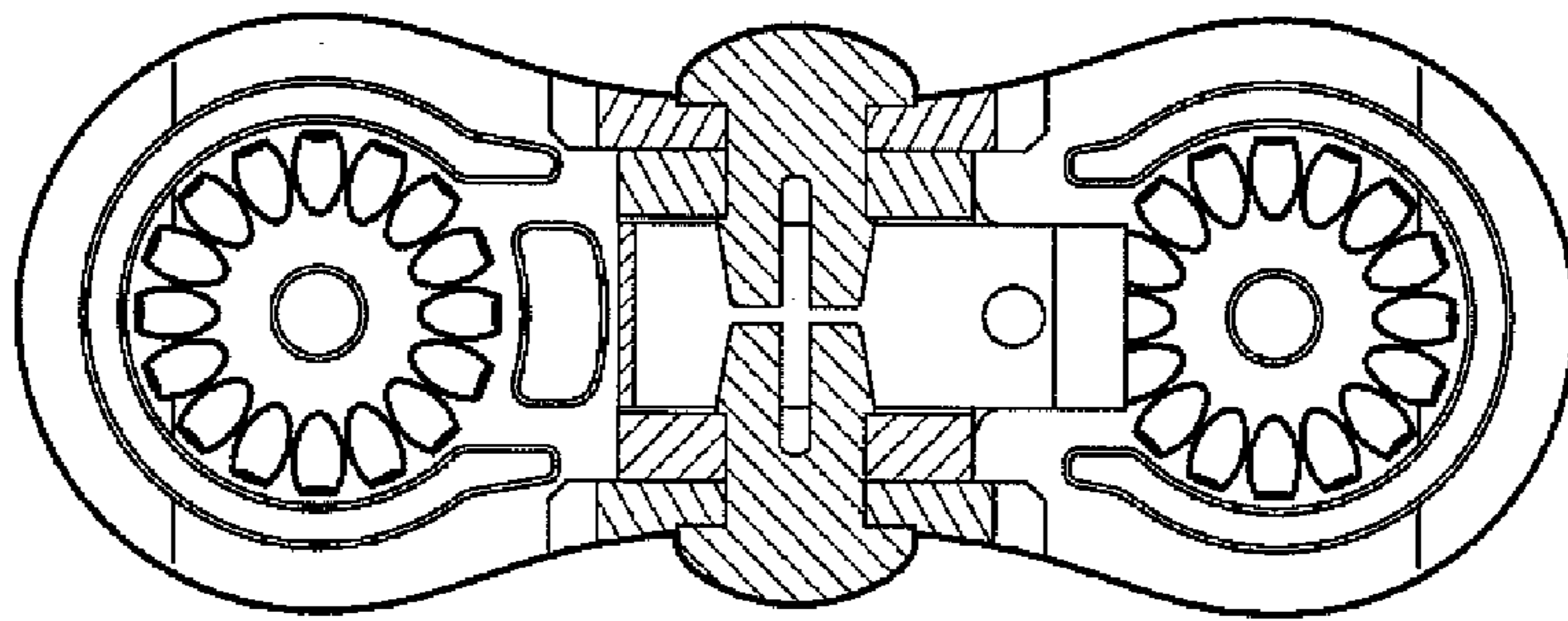


FIG. 10

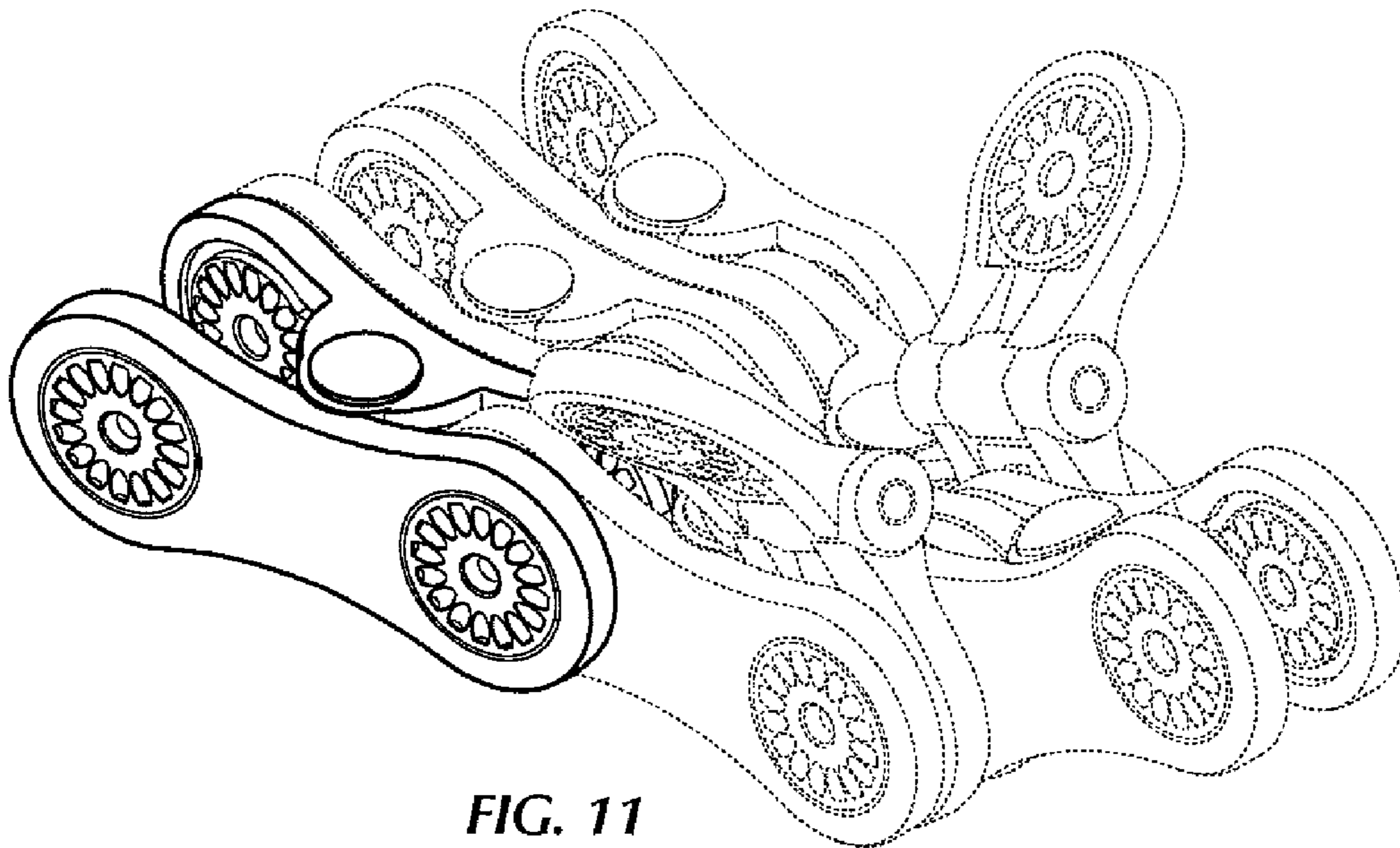


FIG. 11