



US00D577392S

(12) **United States Design Patent**
Van de Rostyne et al.

(10) **Patent No.:** **US D577,392 S**
(45) **Date of Patent:** **** Sep. 23, 2008**

(54) **FLYING OBJECT**

(75) Inventors: **Alexander Jozef Magdalena Van de Rostyne**, Bornem (BE); **Chi Pok Billy Wai**, Causeway Bay (HK)

(73) Assignee: **Silverlit Toys Manufactory, Ltd.**, Hong Kong (HK)

(**) Term: **14 Years**

(21) Appl. No.: **29/297,775**

(22) Filed: **Nov. 16, 2007**

(51) **LOC (8) Cl.** **21-01**

(52) **U.S. Cl.** **D21/449; D21/450**

(58) **Field of Classification Search** D21/436-454;
D12/319-345; 446/30-68, 88; 244/10, 12.1,
244/12.6, 15, 16, 21, 23 R, 23 C, 35 R, 36,
244/65, 73 R, 87, 100 R, 153 R-153 A, 900-904
See application file for complete search history.

(56) **References Cited**

U.S. PATENT DOCUMENTS

1,914,822	A *	6/1933	Bryan	244/155 R
2,303,713	A *	12/1942	Thompson	244/113
D169,864	S	6/1953	Myser		
D183,349	S *	8/1958	Johnson	D12/330
D215,457	S	10/1969	Wallace		
D225,349	S *	12/1972	Gould	D21/445
3,860,204	A *	1/1975	Checkley	244/153 R
3,871,602	A	3/1975	Kissinger		
4,081,158	A *	3/1978	Pearce	244/153 R
D257,731	S	12/1980	Zeck et al.		
4,377,051	A *	3/1983	Dulake	446/31

D274,279	S *	6/1984	Meckley	D21/445
D291,215	S	8/1987	Arata, Jr.		
D300,938	S	5/1989	Delaney		
D347,032	S	5/1994	Nieder		
D411,238	S	6/1999	Cornish		
5,971,321	A *	10/1999	Libengood	244/36
6,371,041	B1	4/2002	Ness		
D460,126	S	7/2002	Zweiback		
D517,614	S *	3/2006	Christensen	D21/437
2006/0192926	A1	8/2006	Soper et al.		
2007/0141944	A1 *	6/2007	Abeshouse	446/34

* cited by examiner

Primary Examiner—Catherine Tuttle

(74) *Attorney, Agent, or Firm*—Greenberg Traurig, LLP

(57) **CLAIM**

The ornamental design for a flying object, as shown and described.

DESCRIPTION

FIG. 1 is a top, rear, and left perspective view of a flying object showing our new design;

FIG. 2 is a top, rear, and right perspective view thereof;

FIG. 3 is a front, top, and left perspective view thereof;

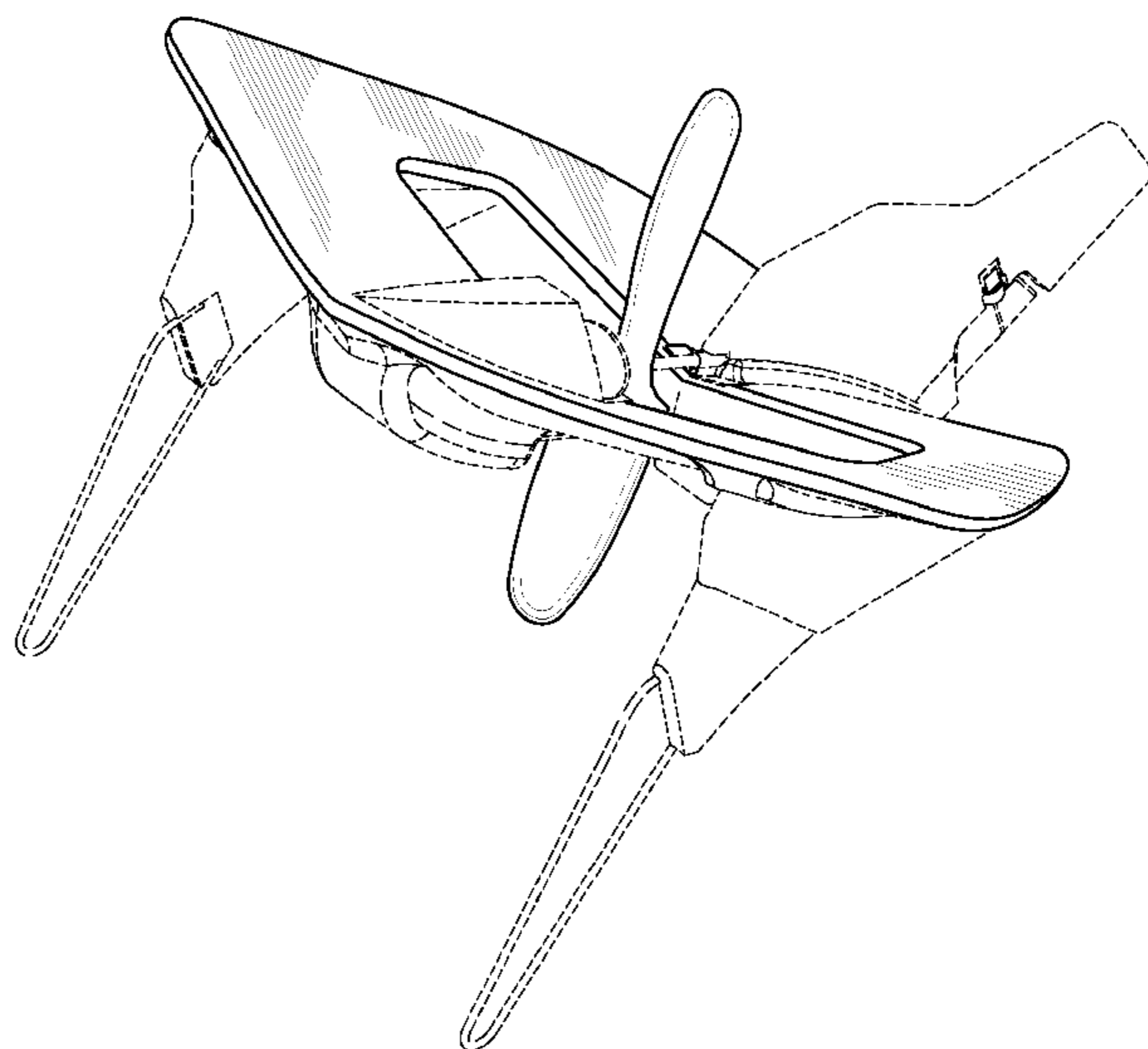
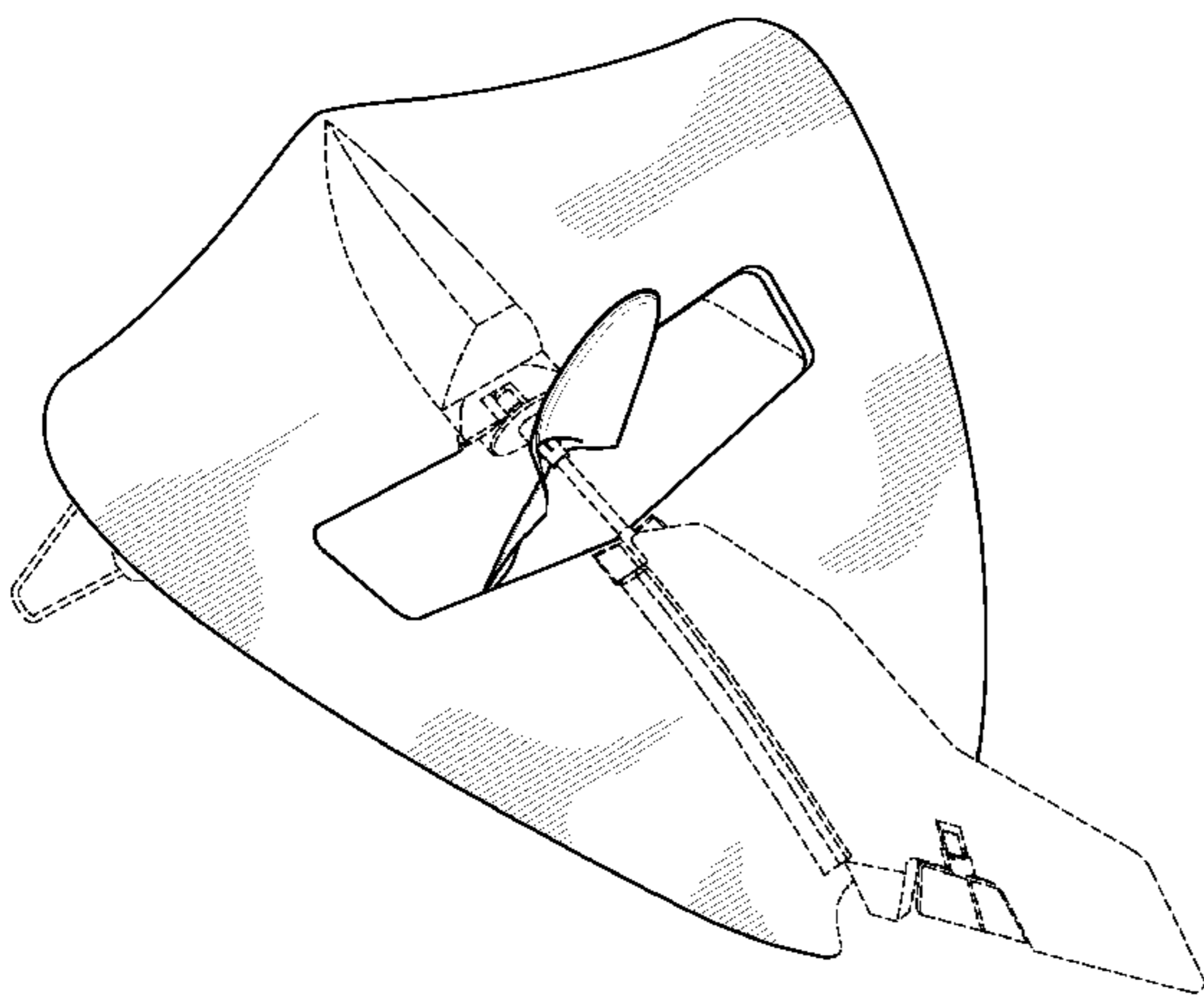
FIG. 4 is a front, top, and right perspective view thereof;

FIG. 5 is a bottom view thereof; and,

FIG. 6 is a top view thereof.

The broken lines are included for the purpose of illustrating portions of the flying object that form no part of the claimed design.

1 Claim, 5 Drawing Sheets



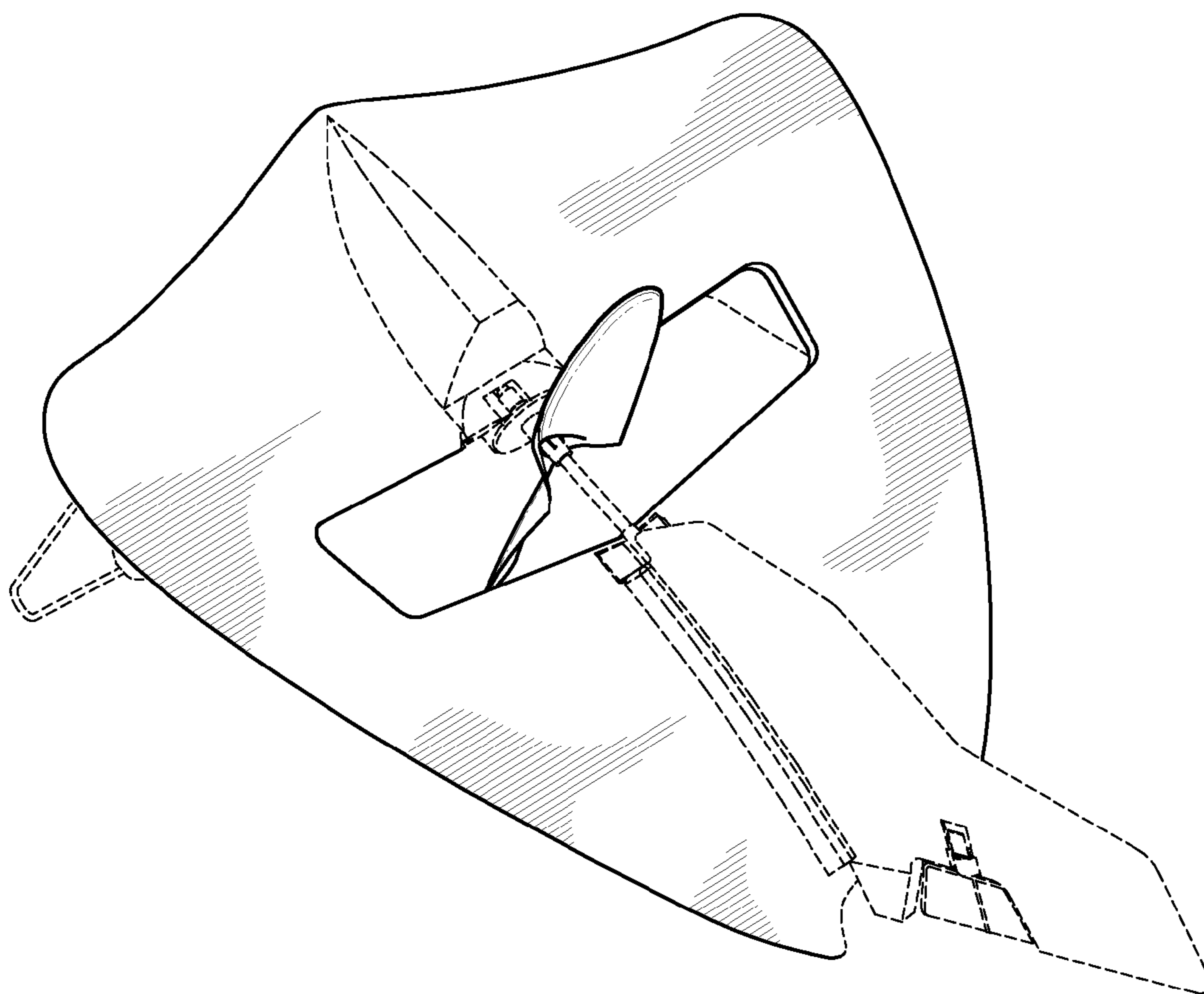


FIG. 1

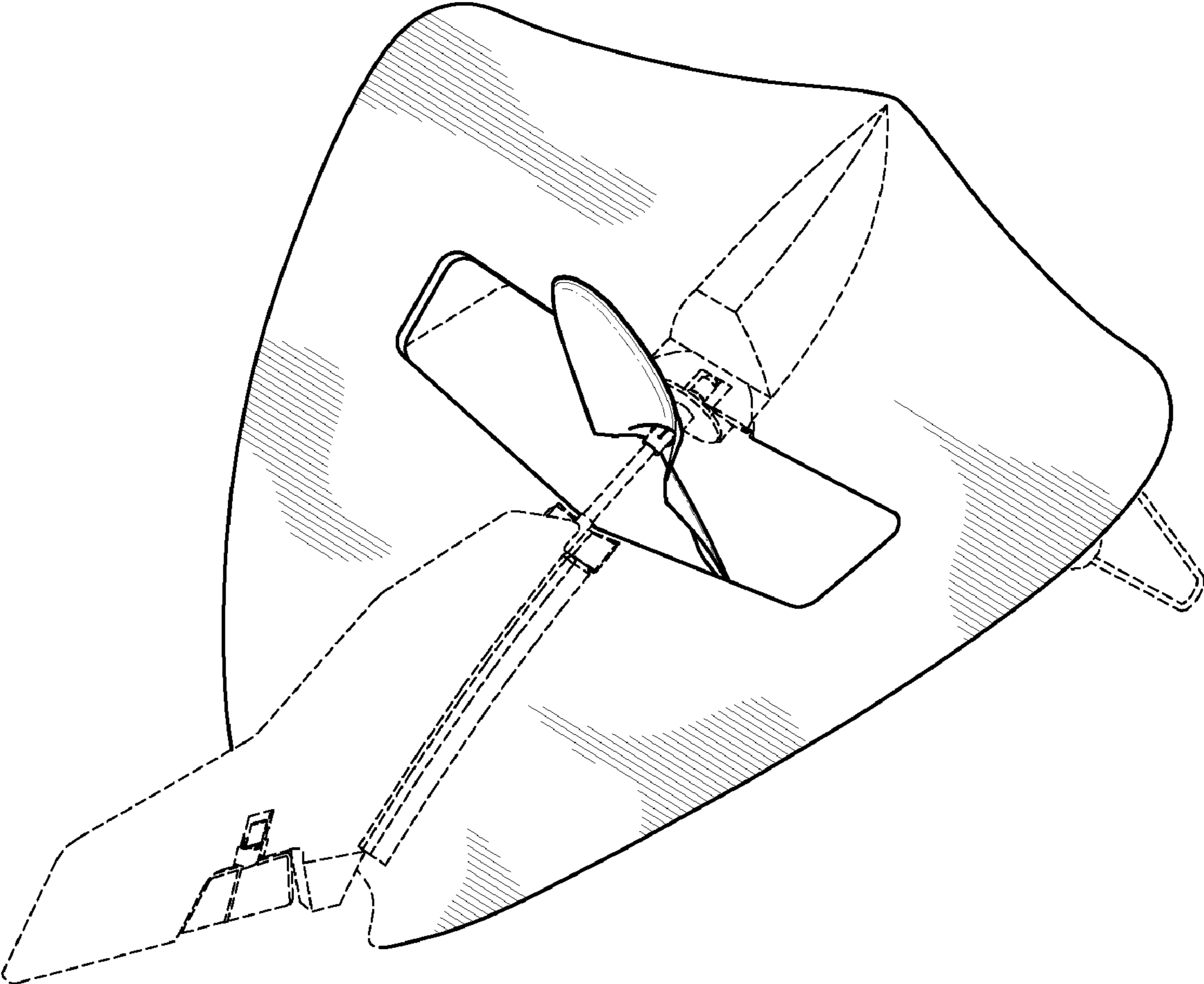


FIG. 2

FIG. 3

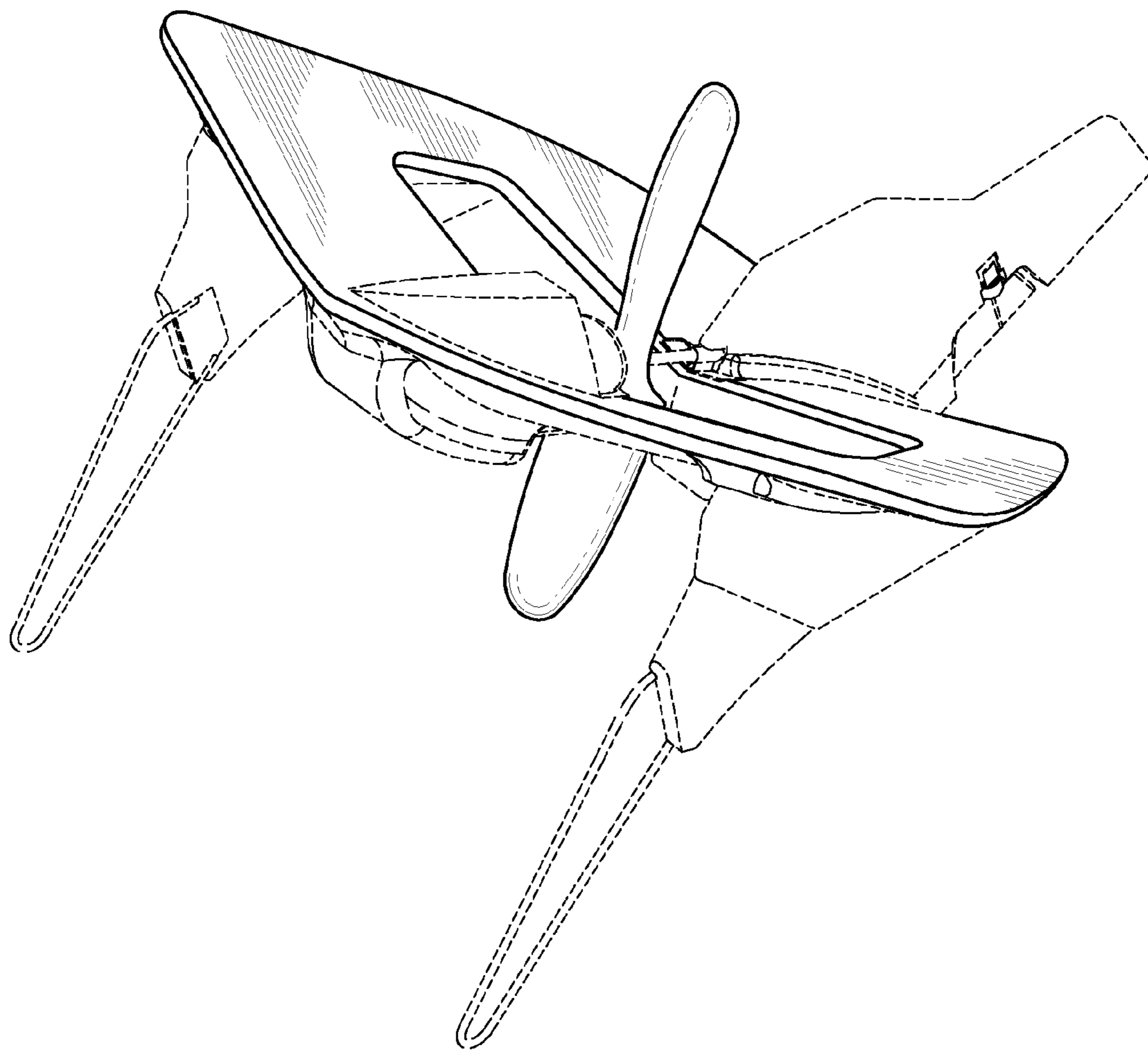


FIG. 4

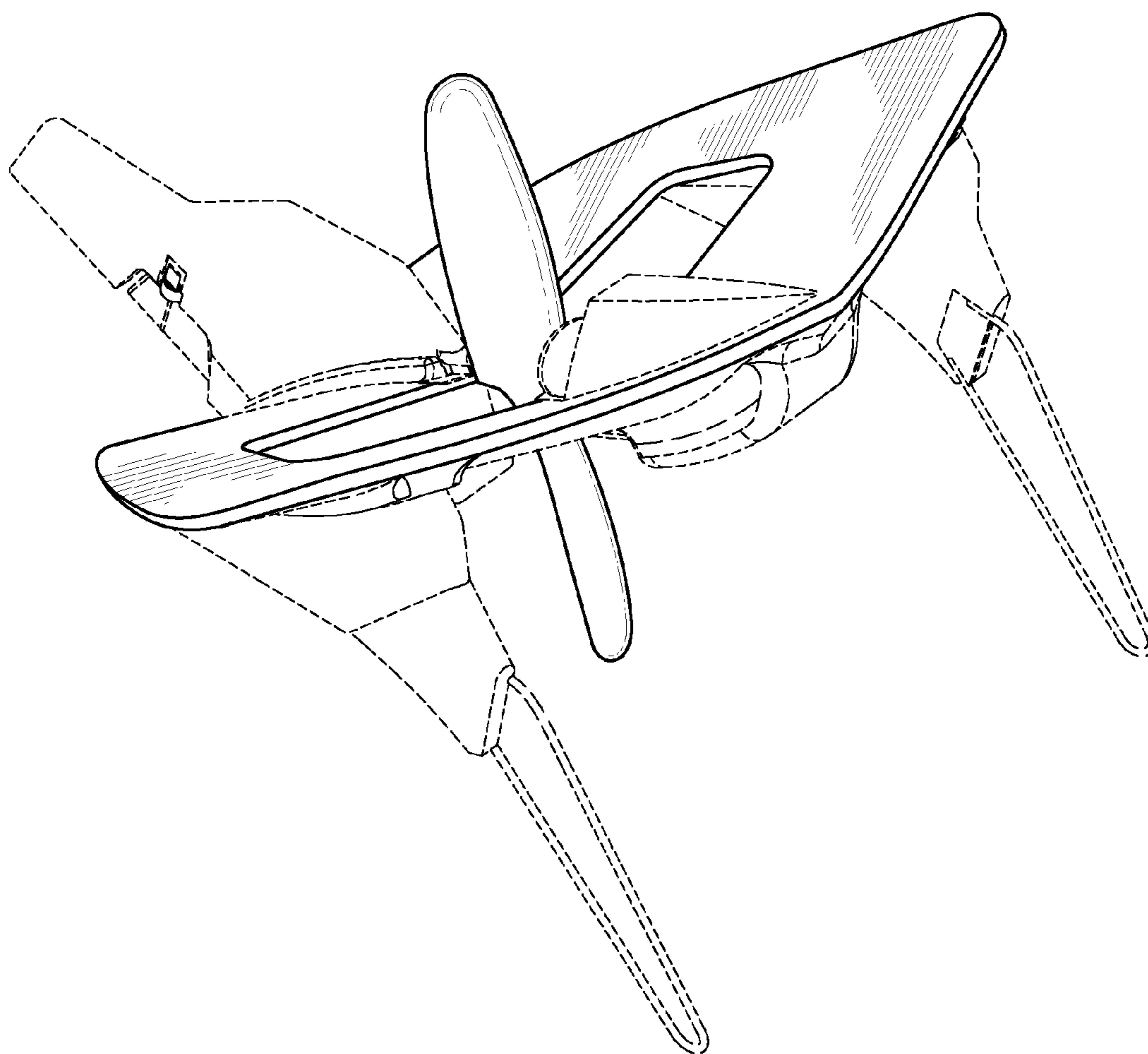


FIG. 6

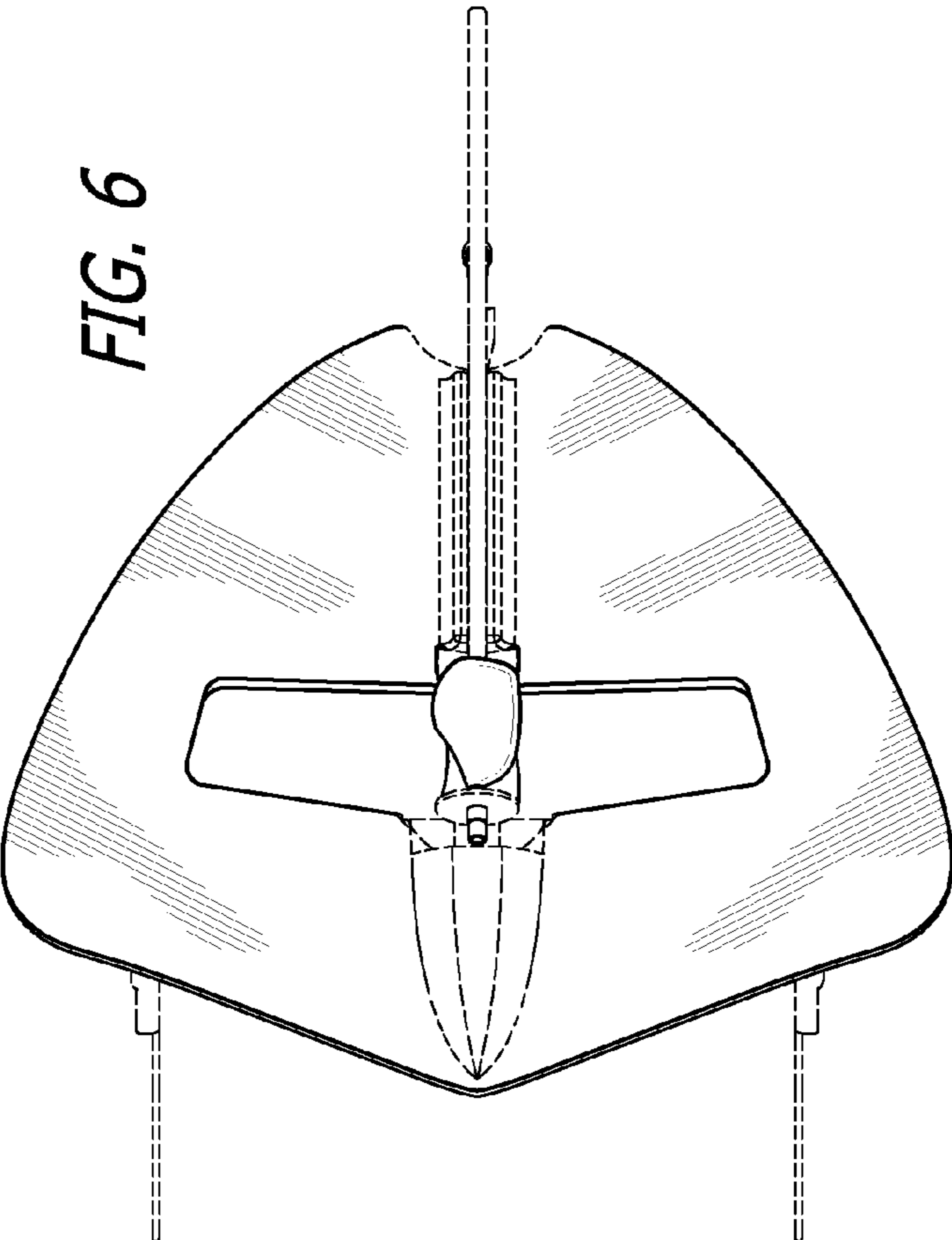


FIG. 5

