



US00D577387S

(12) **United States Design Patent**
Kurmlavage

(10) **Patent No.:** **US D577,387 S**

(45) **Date of Patent:** **** Sep. 23, 2008**

(54) **FOOD IDENTIFICATION DEVICE**

D561,018 S * 2/2008 Frank D8/395
7,340,856 B1 * 3/2008 Kalouris 40/658

(75) Inventor: **Michael M. Kurmlavage**, Lansdowne,
PA (US)

* cited by examiner

(73) Assignee: **Spirit Specialty Solutions, Inc.**,
Lansdowne, PA (US)

Primary Examiner—Caron D. Veynar
Assistant Examiner—Mary Ann Calabrese
(74) *Attorney, Agent, or Firm*—Smith Patent Office

(**) Term: **14 Years**

(21) Appl. No.: **29/290,383**

(22) Filed: **Nov. 29, 2007**

(57) **CLAIM**

I claim the ornamental design for a food identification device,
as shown and described.

(51) **LOC (8) Cl.** **20-03**

(52) **U.S. Cl.** **D20/43**

(58) **Field of Classification Search** D20/10,
D20/42-44, 99; 40/124.05, 309, 316, 360,
40/640.02, 644, 653, 654, 654.01, 658, 661,
40/661.03, 662, 666; D8/349, 395

See application file for complete search history.

DESCRIPTION

FIG. 1 is a front perspective view of a food identification device showing my new design;

FIG. 2 is a rear perspective view thereof;

FIG. 3 is a top plan view thereof;

FIG. 4 is a left side elevation view thereof;

FIG. 5 is a rear elevation view thereof;

FIG. 6 is a right side elevation view thereof;

FIG. 7 is a bottom plan view thereof; and,

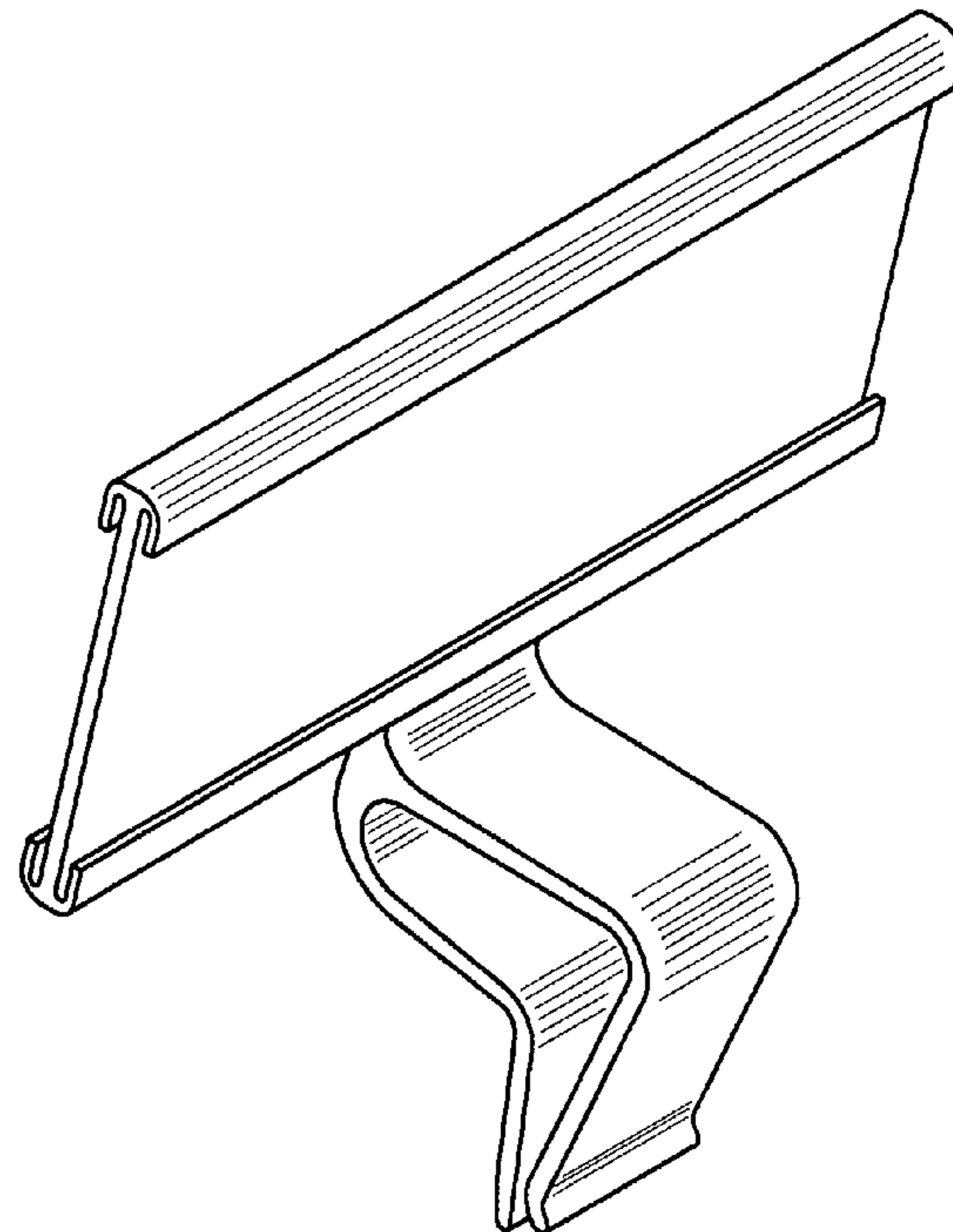
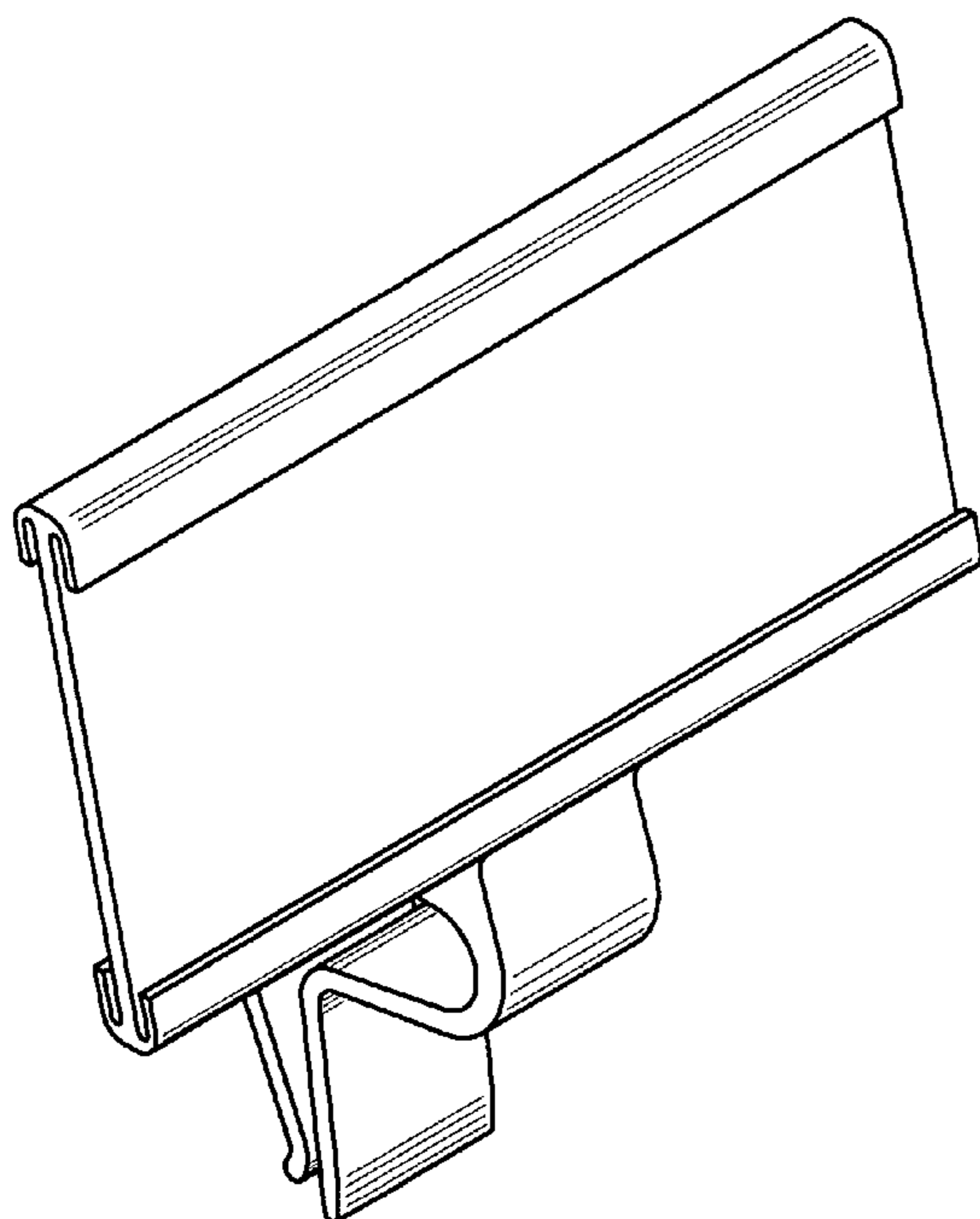
FIG. 8 is a front elevation view thereof.

(56) **References Cited**

U.S. PATENT DOCUMENTS

300,182 A * 6/1884 Winchell 40/309
D470,535 S * 2/2003 Valiulis D20/44
D470,893 S * 2/2003 Valiulis et al. D20/44
D512,104 S * 11/2005 Lowry D20/44

1 Claim, 3 Drawing Sheets



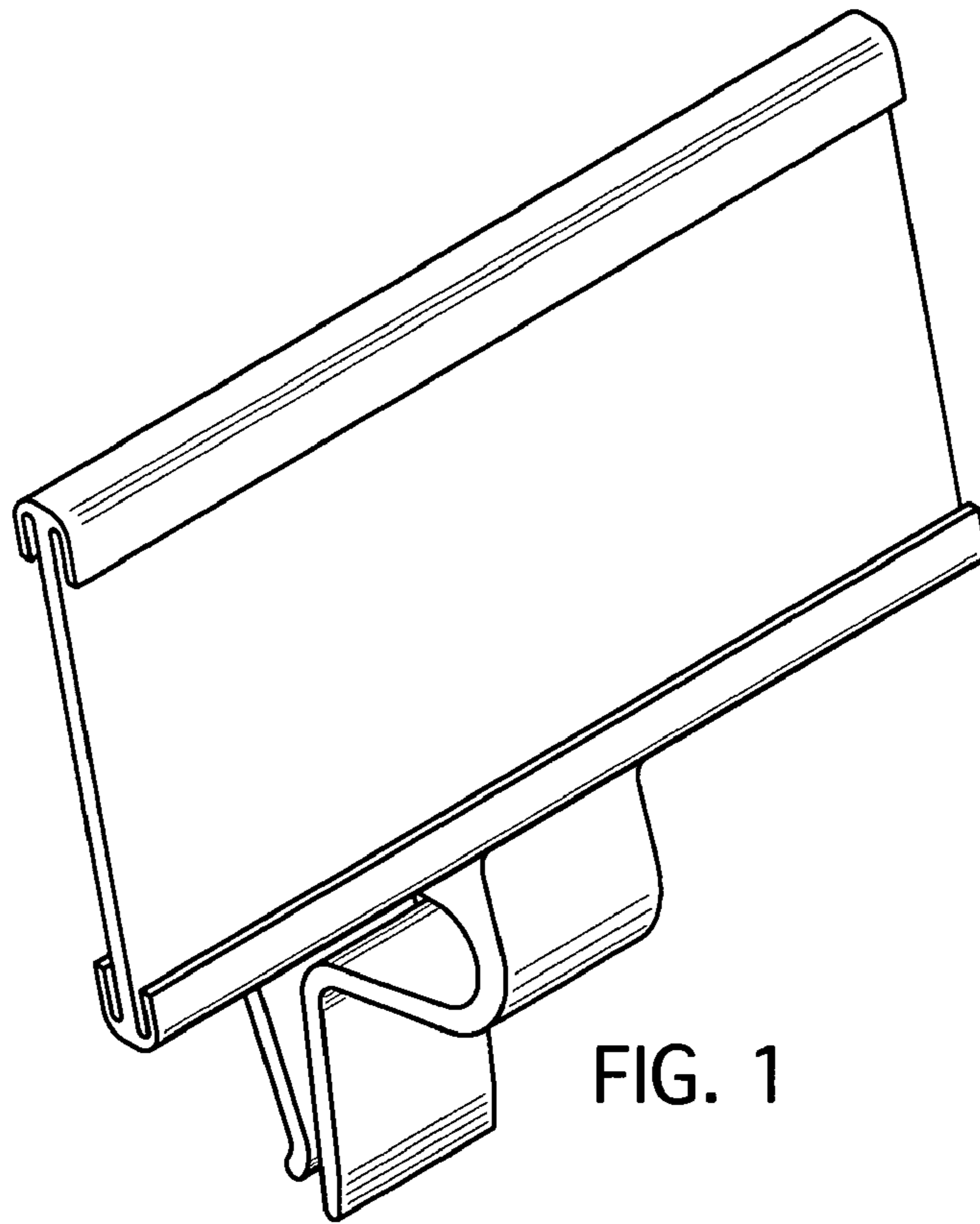


FIG. 1

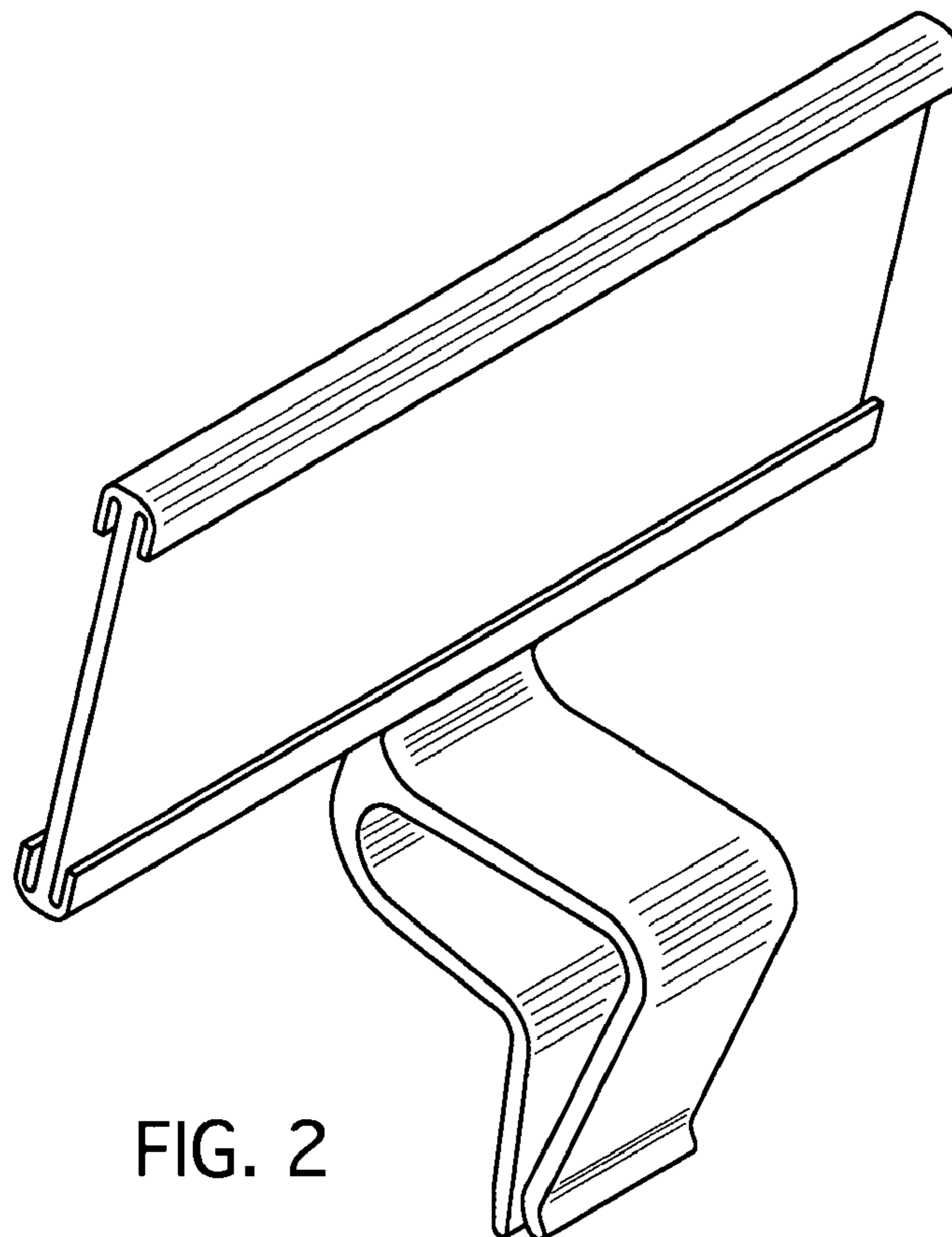


FIG. 2

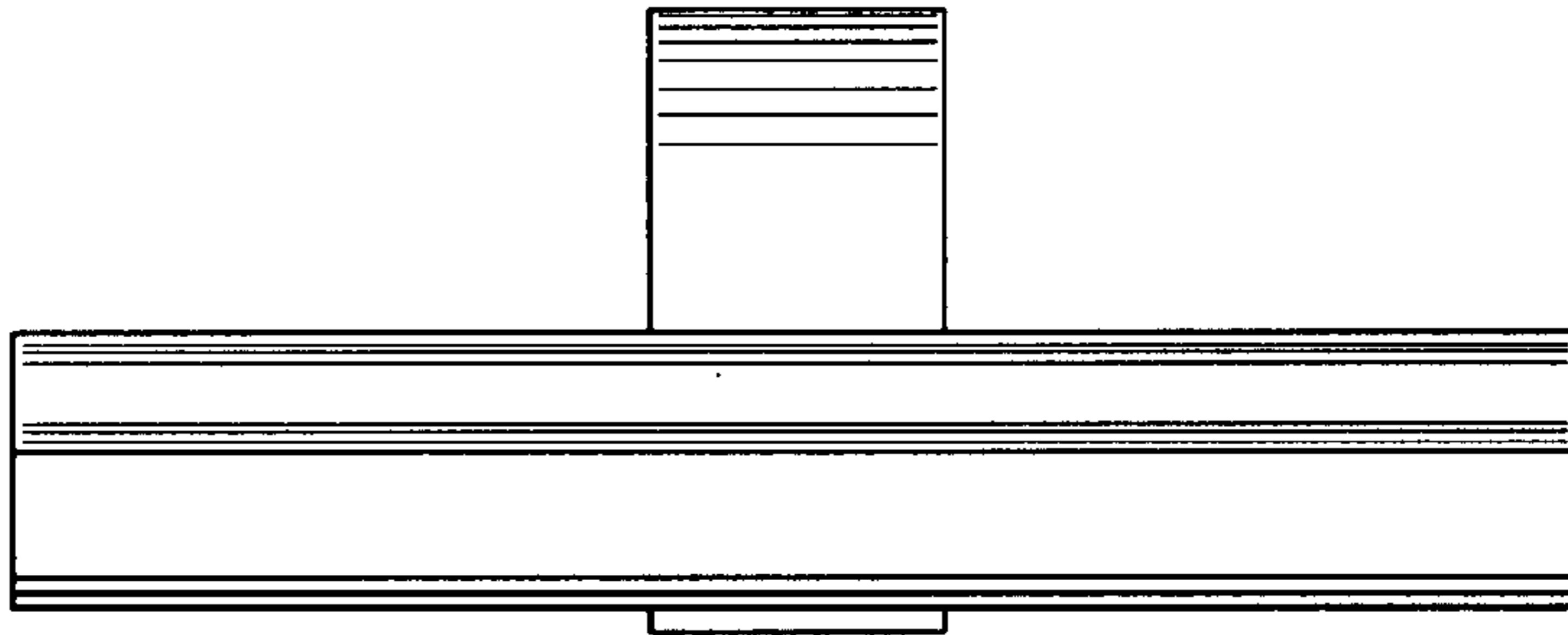


FIG. 3

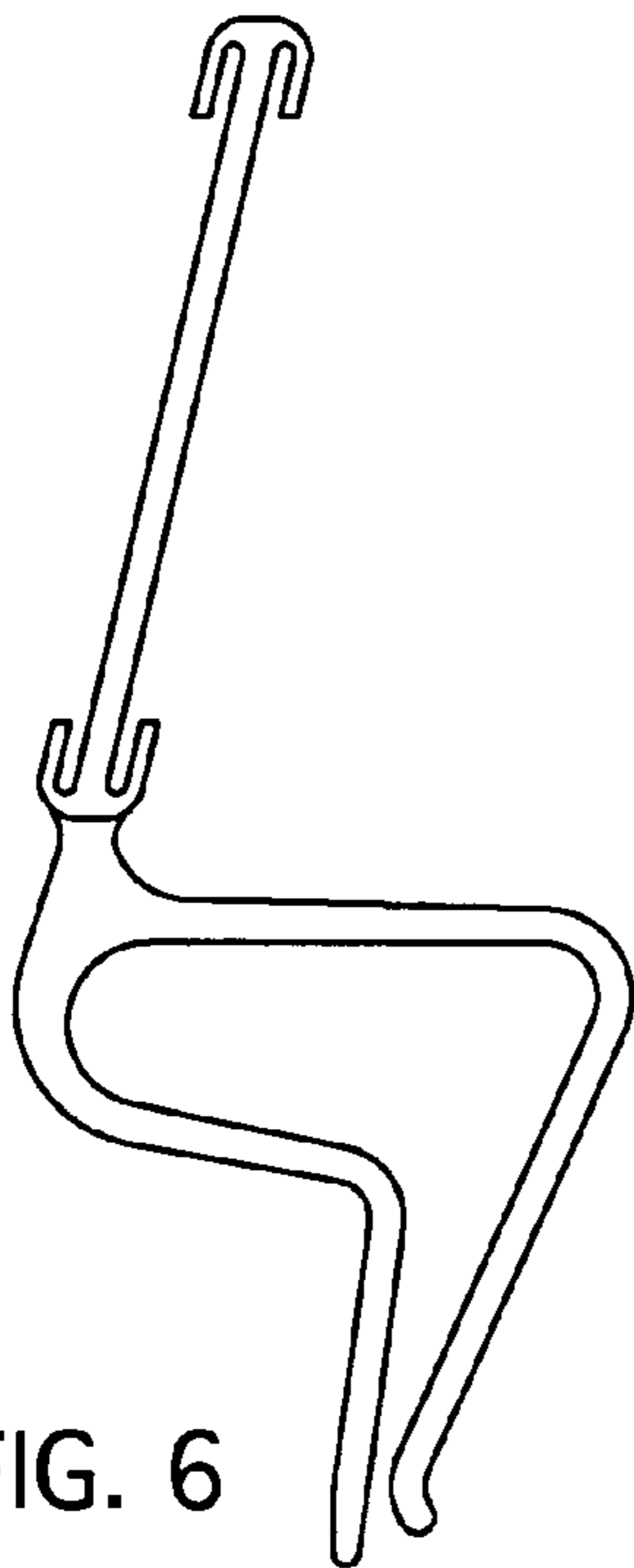


FIG. 6

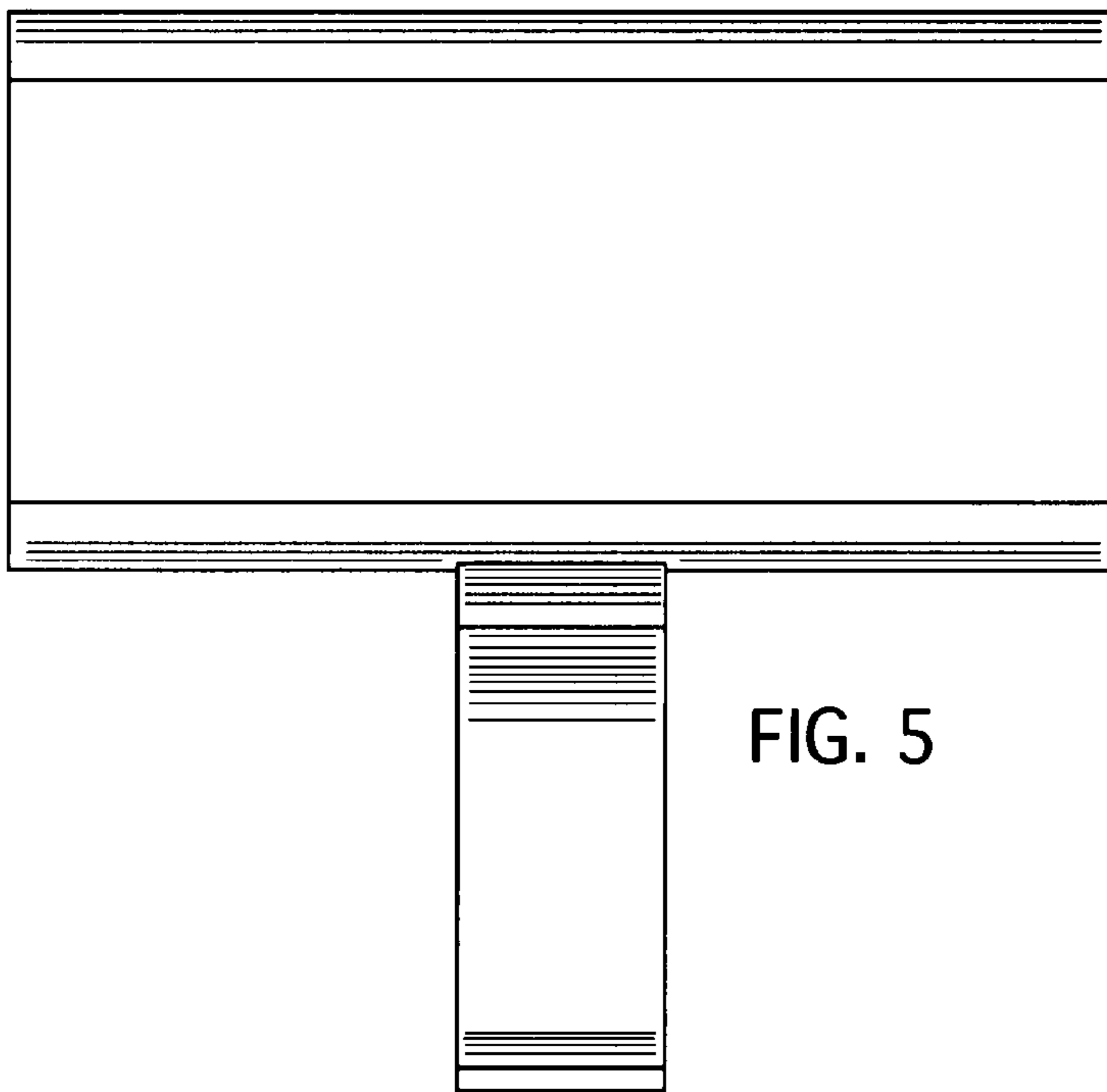


FIG. 5

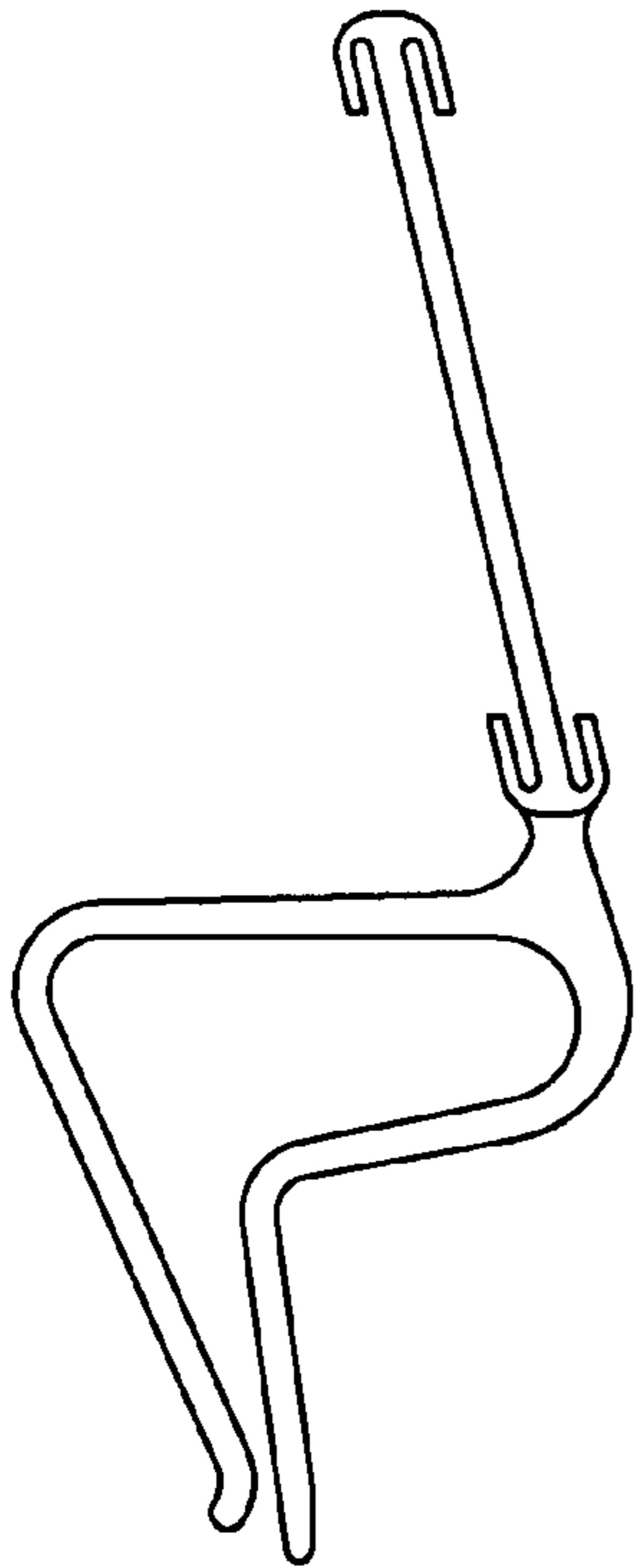


FIG. 4

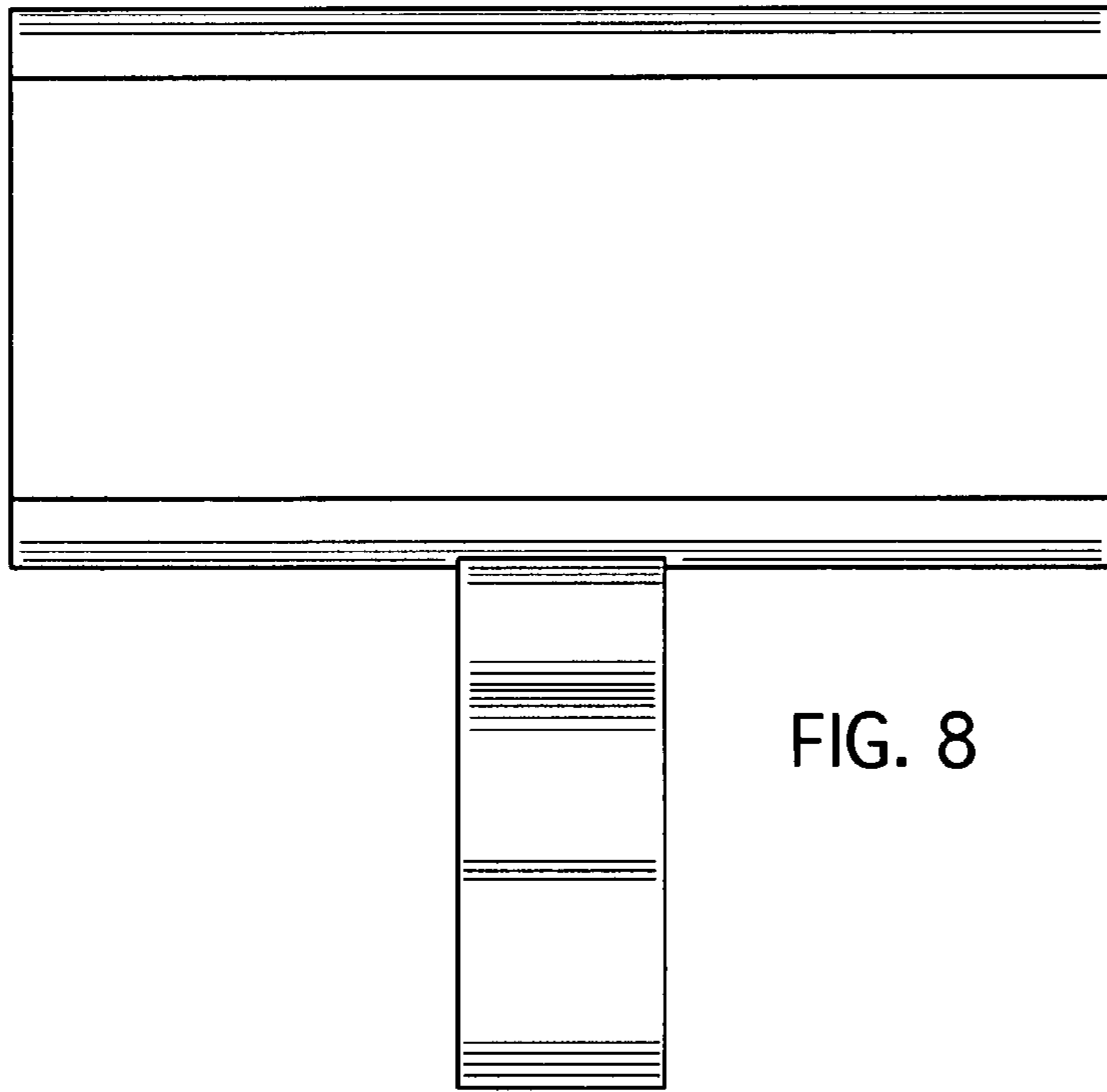


FIG. 8

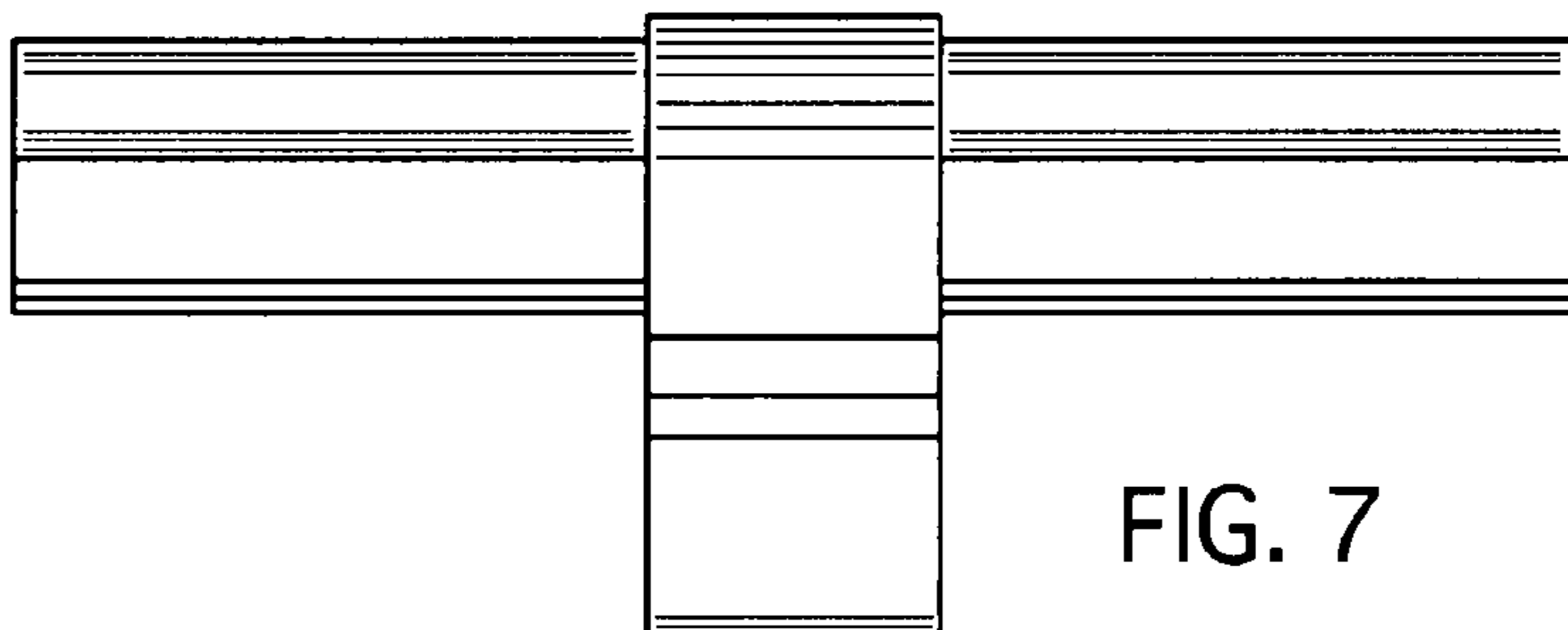


FIG. 7