



US00D577381S

(12) **United States Design Patent**
Stockstill et al.

(10) **Patent No.:** **US D577,381 S**
(45) **Date of Patent:** **** Sep. 23, 2008**

(54) **DEVICE FOR STORING PAPERS OR THE LIKE**

(75) Inventors: **Mark Richards Stockstill**, Dayton, OH (US); **Dan Edward Mueller**, Kettering, OH (US); **Greg Wyatt Simmons**, Springboro, OH (US)

(73) Assignee: **MeadWestvaco Corporation**, Glen Allen, VA (US)

(**) Term: **14 Years**

(21) Appl. No.: **29/298,791**

(22) Filed: **Dec. 13, 2007**

Related U.S. Application Data

(62) Division of application No. 29/258,399, filed on Apr. 20, 2006.

(51) **LOC (8) Cl.** **19-04**

(52) **U.S. Cl.** **D19/26**

(58) **Field of Classification Search** D19/26-27, D19/33; D3/247, 294, 299, 303; 40/530, 40/536-537; 206/472, 556; 281/15.1, 29, 281/19.1, 31; 283/63.1, 64
See application file for complete search history.

(56) **References Cited**

U.S. PATENT DOCUMENTS

4,711,469 A * 12/1987 Bogar 281/27.2

5,015,011 A *	5/1991	York	281/18
D319,659 S *	9/1991	Moor	D19/27
D320,411 S *	10/1991	Wyant	D19/27
D352,309 S *	11/1994	Gresham et al.	D19/27
5,462,159 A *	10/1995	Roth et al.	206/310
D414,800 S *	10/1999	Wyant	D19/26
D435,591 S *	12/2000	Wyant	D19/27
6,412,819 B1 *	7/2002	Paine et al.	281/29
D481,074 S *	10/2003	Shapiro et al.	D19/90

* cited by examiner

Primary Examiner—Elizabeth A. Albert
Assistant Examiner—Kelley A Donnelly

(57) **CLAIM**

The ornamental design for a device for storing papers or the like, as shown and described.

DESCRIPTION

FIG. 1 is a perspective view of a device for storing papers or the like.

FIG. 2 is a front view of the device of FIG. 1.

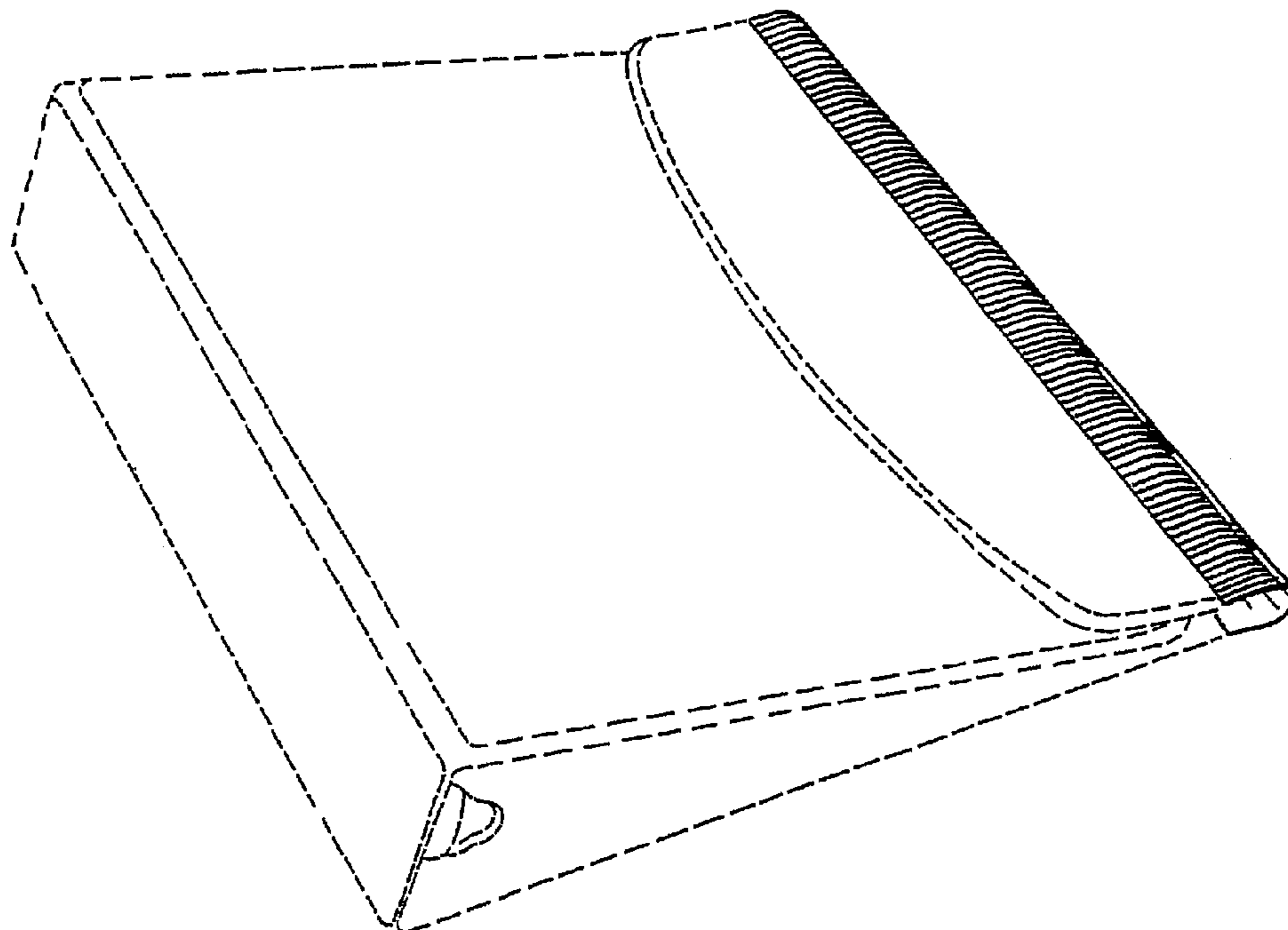
FIG. 3 is a left side view of the device of FIG. 1.

FIG. 4 is a right side view of the device of FIG. 1; and,

FIG. 5 is a top view of the device of FIG. 1.

The broken lines are for environmental purposes only and form no part of the claimed design.

1 Claim, 3 Drawing Sheets



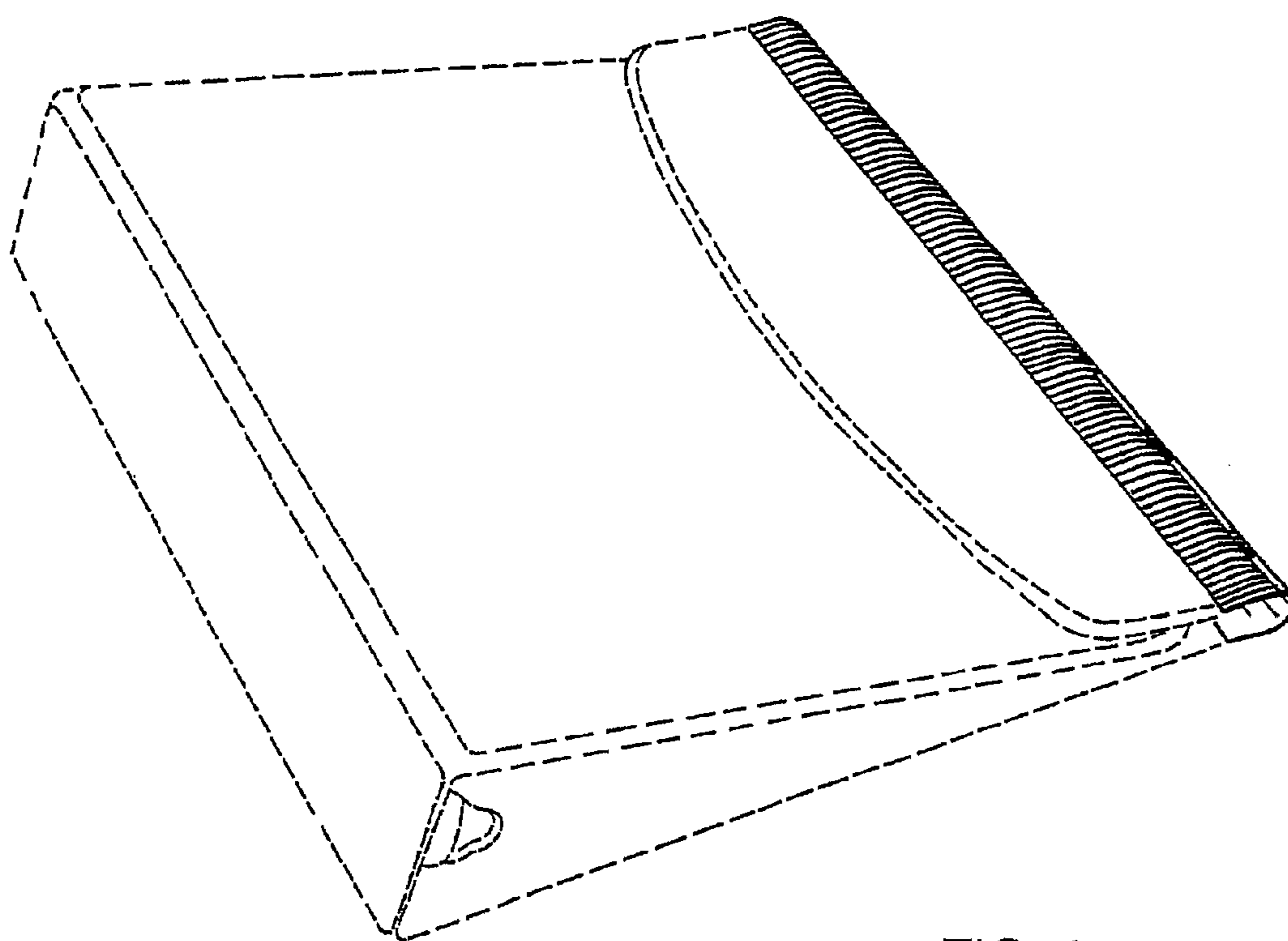


FIG. 1

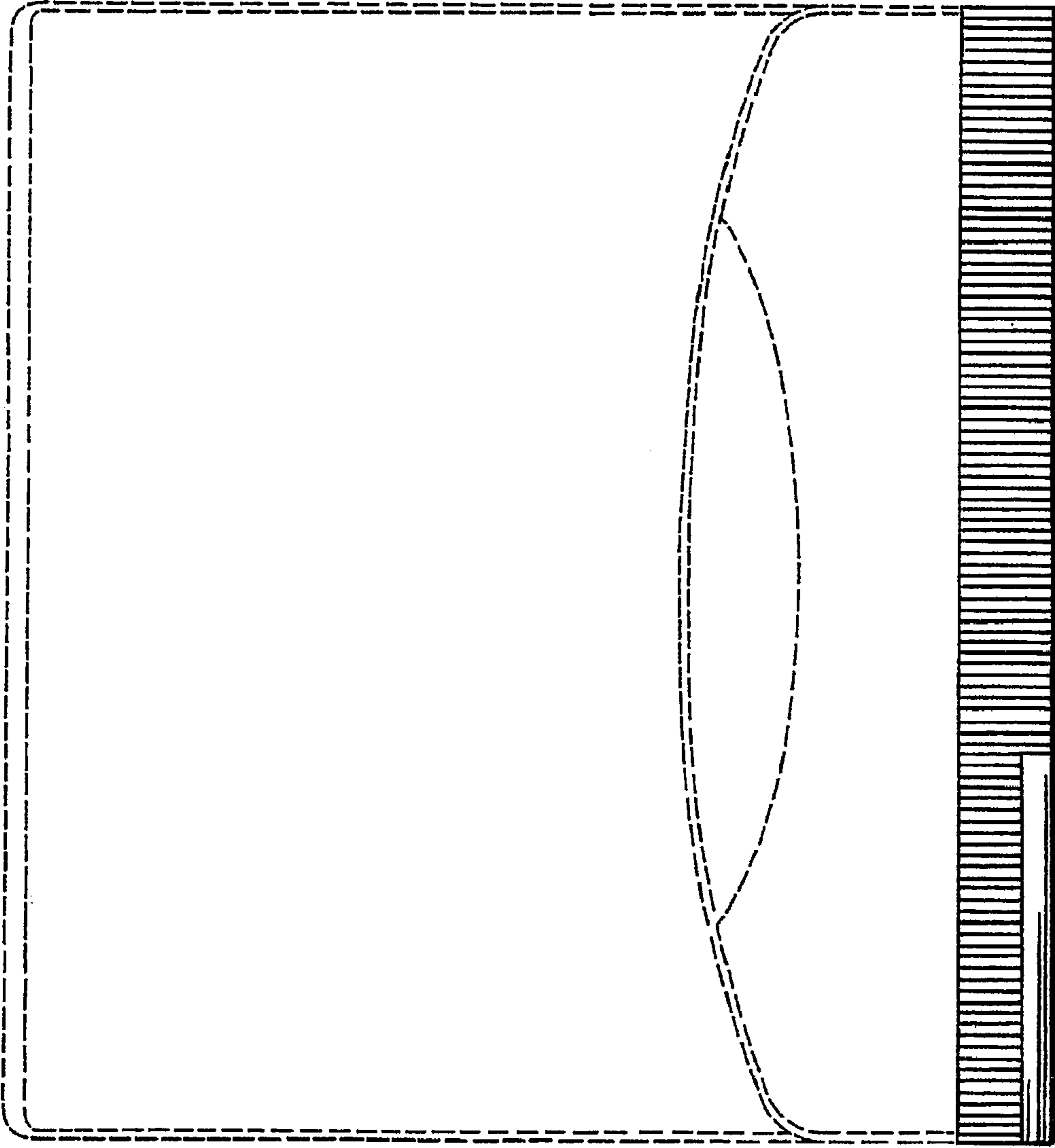


FIG. 2

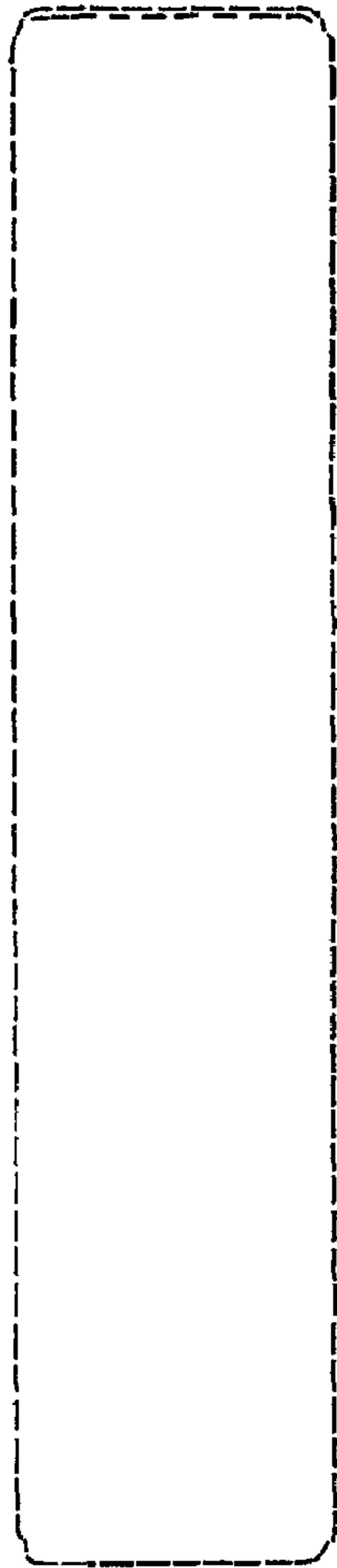


FIG. 3

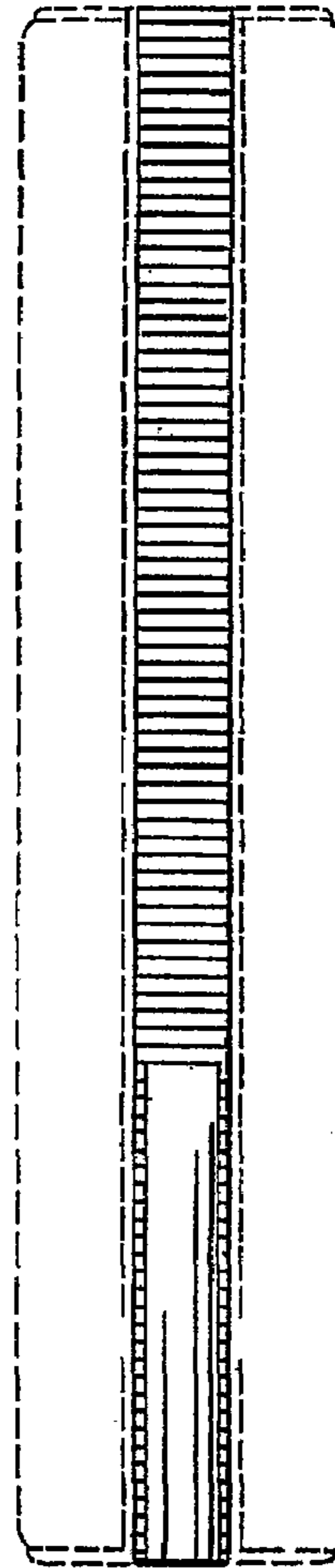


FIG. 4

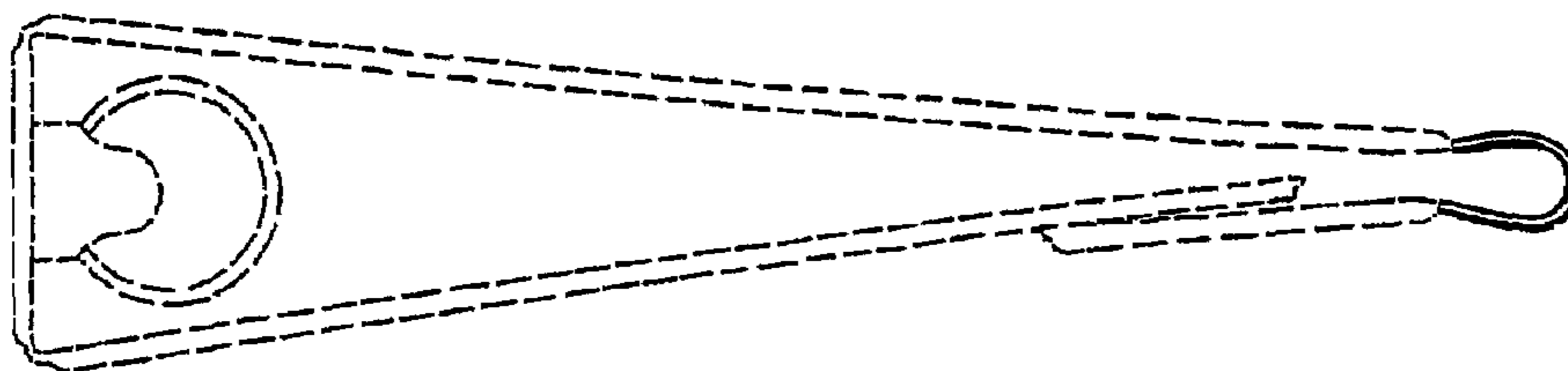


FIG. 5